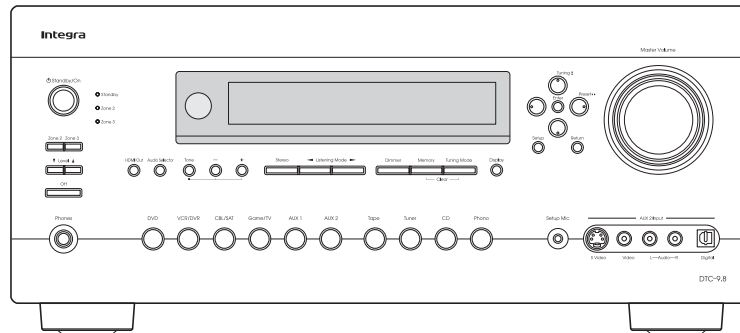


Integra SERVICE MANUAL

AV CONTROLLER MODEL DTC-9.8




RC-691M

Black model

B UDD, B MDD	120V AC, 60Hz
B UMA, B MMA	220V~240V AC, 50Hz

SAFETY-RELATED COMPONENT WARNING!!

COMPONENTS IDENTIFIED BY MARK  ON THE SCHEMATIC DIAGRAM AND IN THE PARTS LIST ARE CRITICAL FOR RISK OF FIRE AND ELECTRIC SHOCK. REPLACE THESE COMPONENTS WITH ONKYO PARTS WHOSE PART NUMBERS APPEAR AS SHOWN IN THIS MANUAL.

MAKE LEAKAGE-CURRENT OR RESISTANCE MEASUREMENTS TO DETERMINE THAT EXPOSED PARTS ARE ACCEPTABLY INSULATED FROM THE SUPPLY CIRCUIT BEFORE RETURNING THE APPLIANCE TO THE CUSTOMER.

A

B

C

D

BLOCK DIAGRAMS-1 AUDIO SECTION

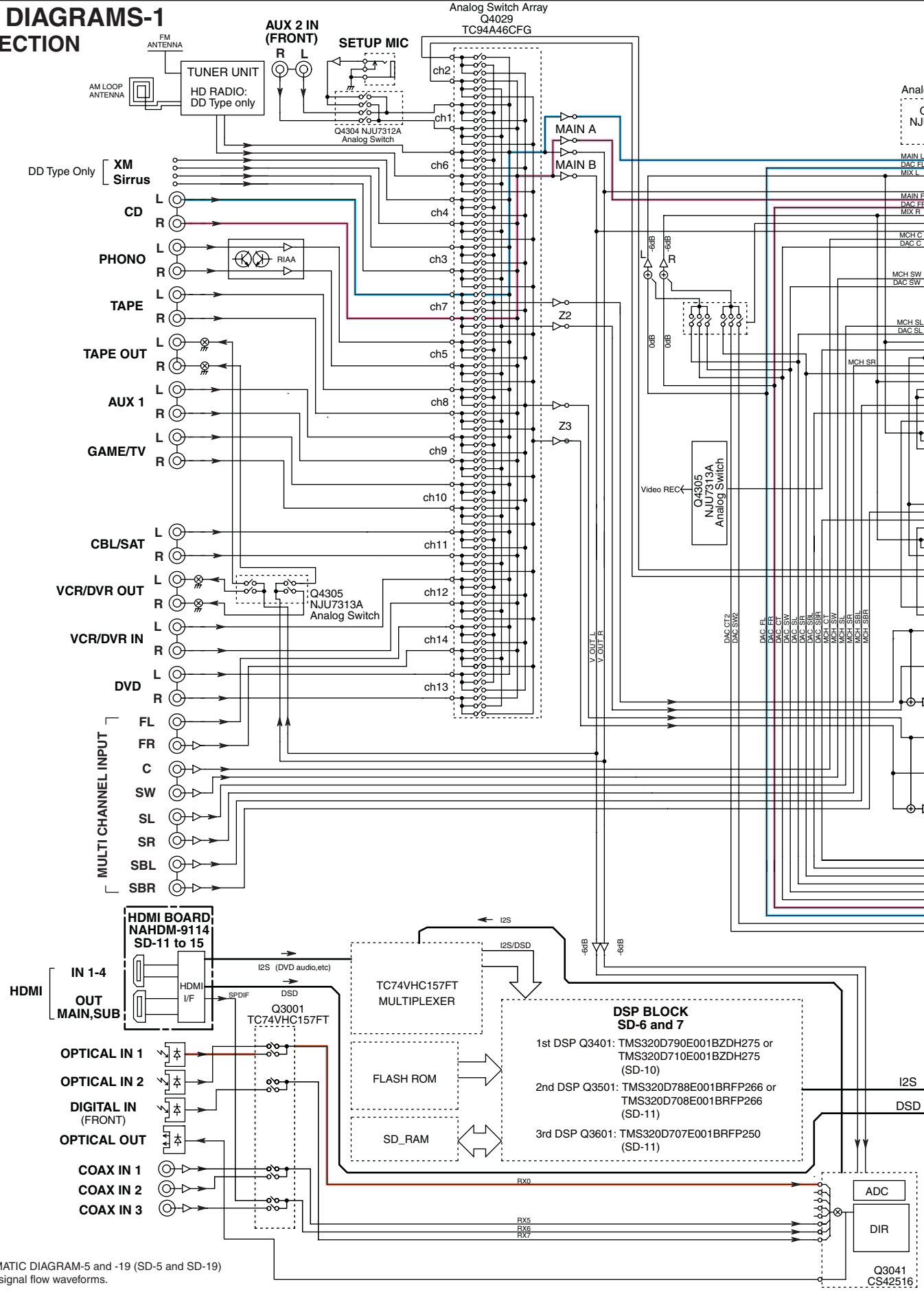
1

2

3

4

5



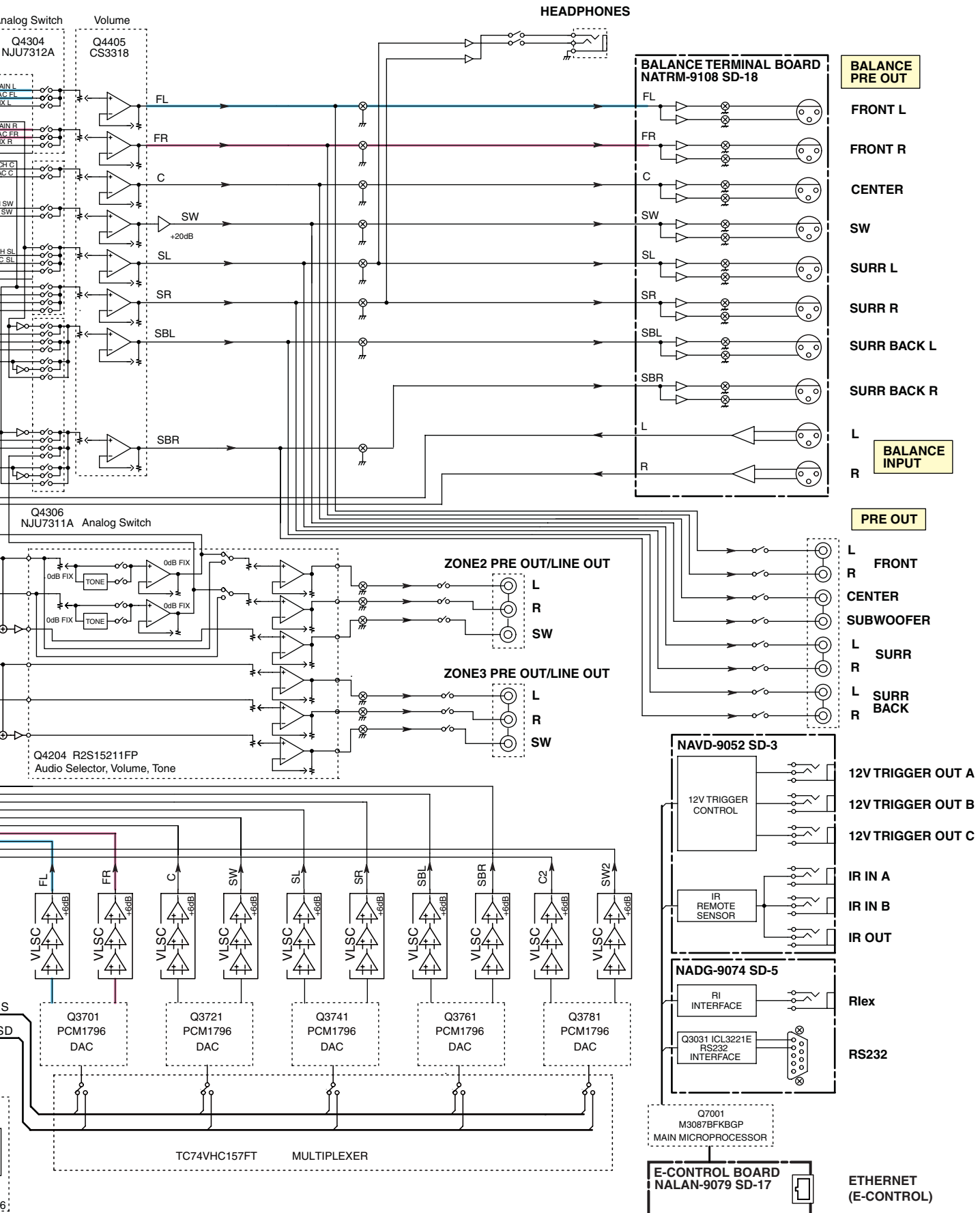
<Note>
Refer to SCHEMATIC DIAGRAM-5 and -19 (SD-5 and SD-19)
for digital audio signal flow waveforms.

E

F

G

H



BLOCK DIAGRAMS-2
VIDEO SECTION

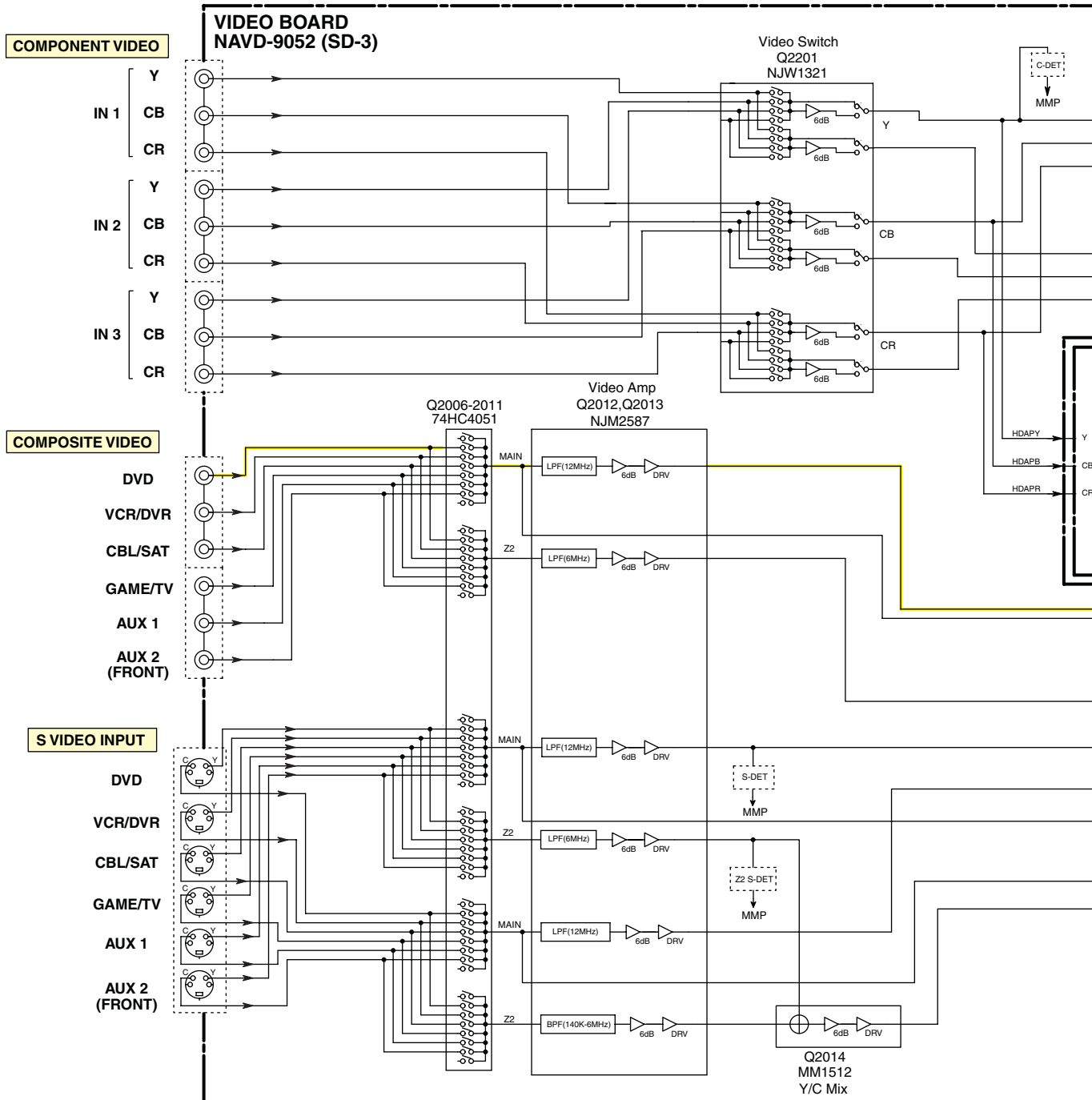
1

2

3

4

5



NOTE
MMP is short for MAIN MICROPROCESSOR.

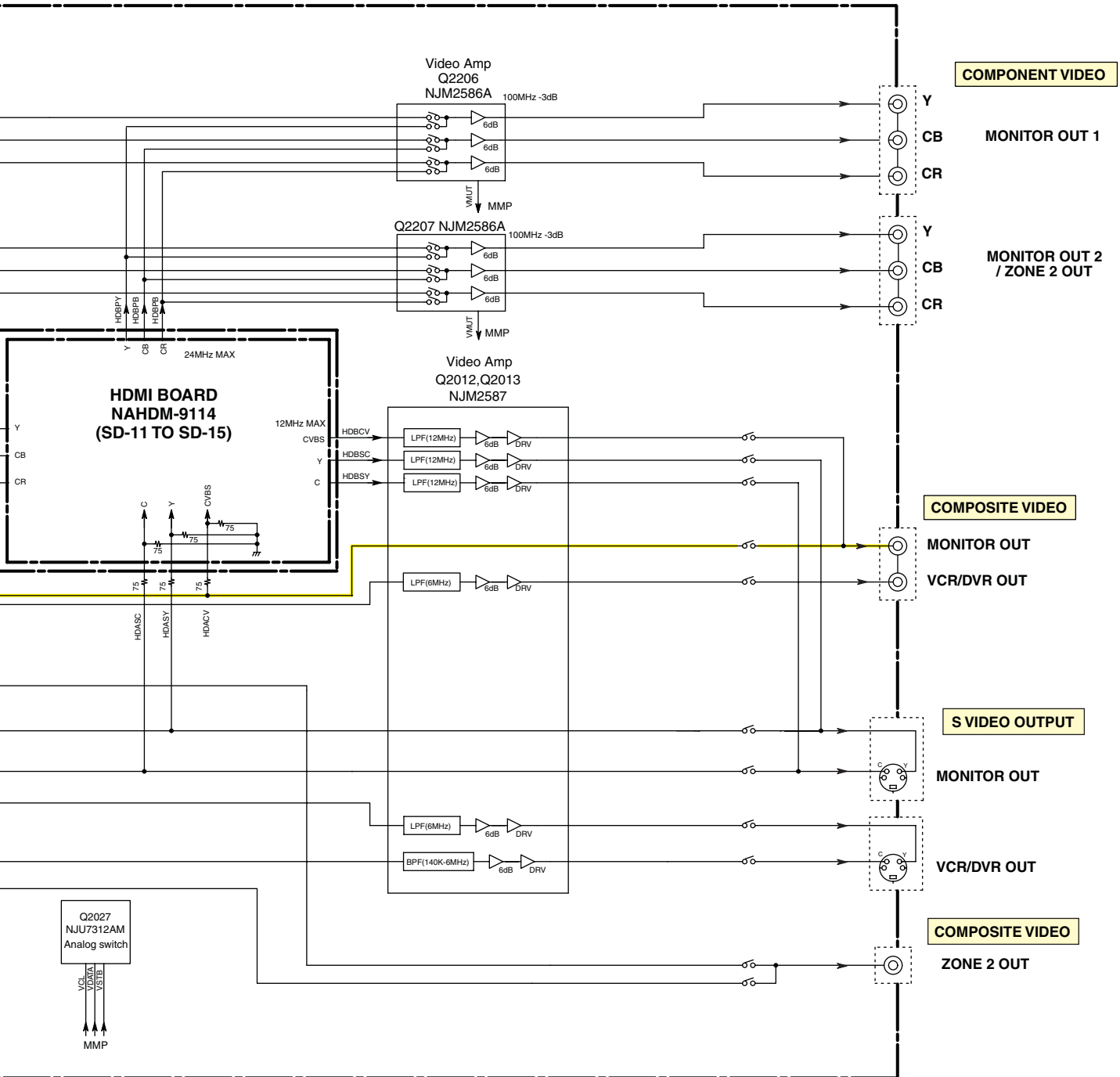
<Note>
Refer to SCHEMATIC DIAGRAM-3, 13, 14 and 19 (SD-3, SD-13, SD-14 and SD-19)
for video and HDMI signal waveforms.

E

F

G

H



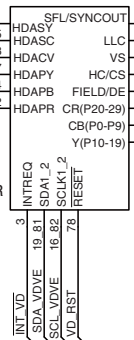
BLOCK DIAGRAMS-3 HDMI SECTION

HDMI BOARD NAHDM-9114 (SD-11 TO SD-15)

<Note>
Refer to SCHEMATIC DIAGRAM-13, 14 and 19
(SD-13, SD-14 and SD-19) for HDMI signal waveforms.

VIDEO BOARD
NAVD-9052

Q8800
ADV7401
VIDEO DECODER

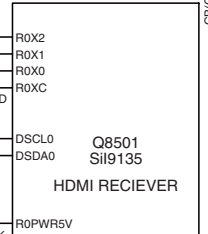
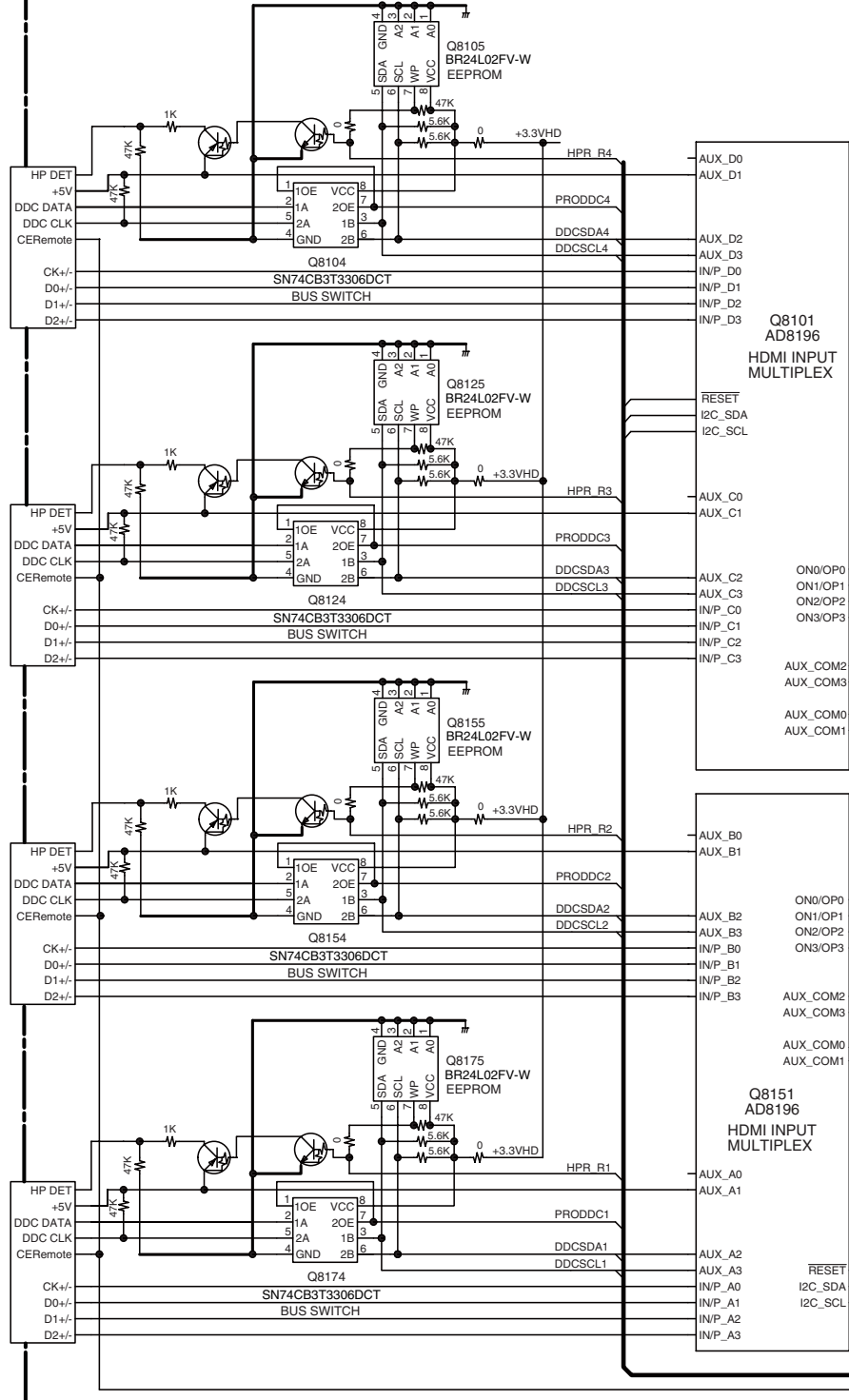


HDMI IN 4

HDMI IN 3

HDMI IN 2

HDMI IN 1



Q8405
SN74CB3Q33

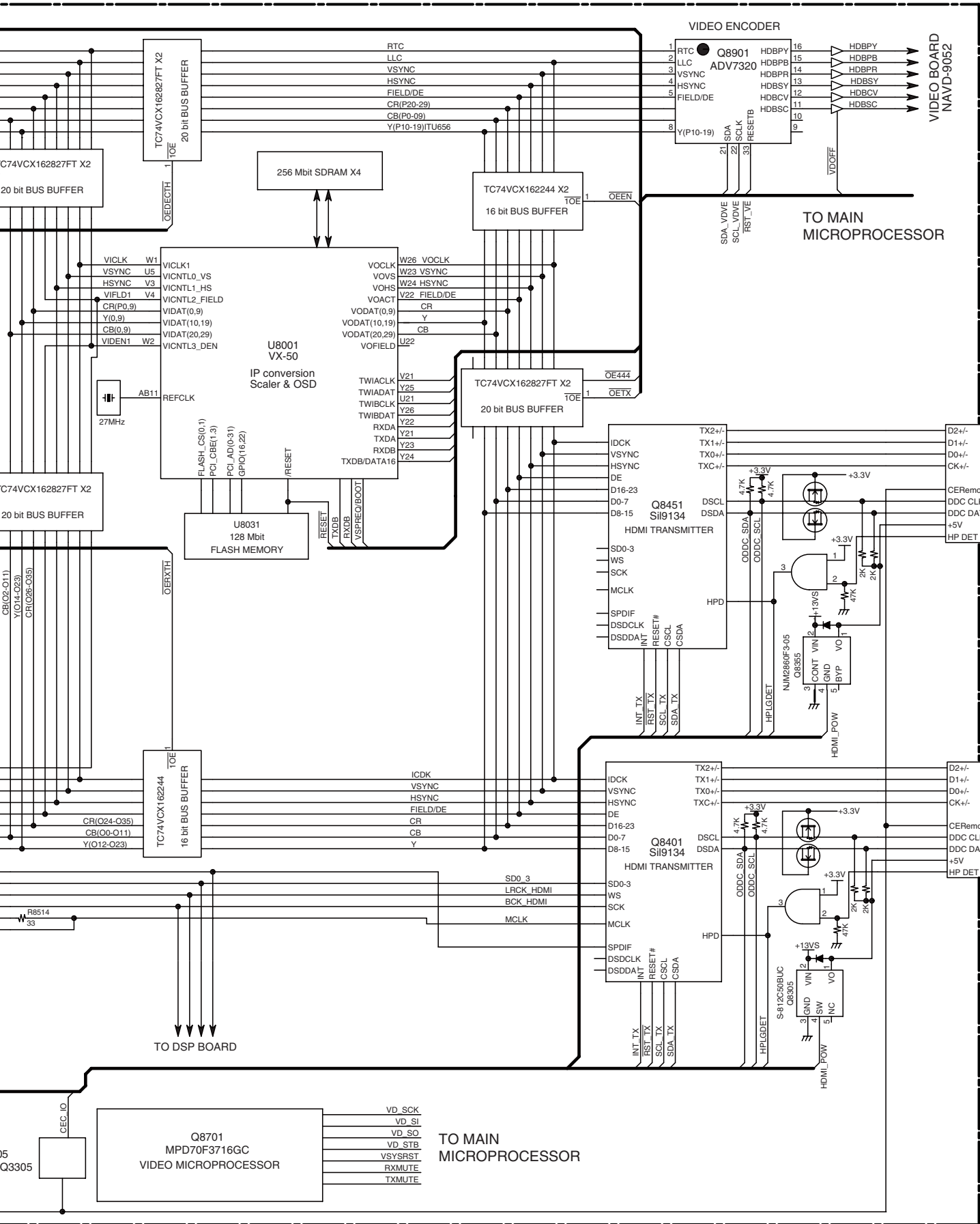
1

2

3

4

5



SCHEMATIC DIAGRAMS-1 (SD-1) AUDIO SECTION-1

A B C D

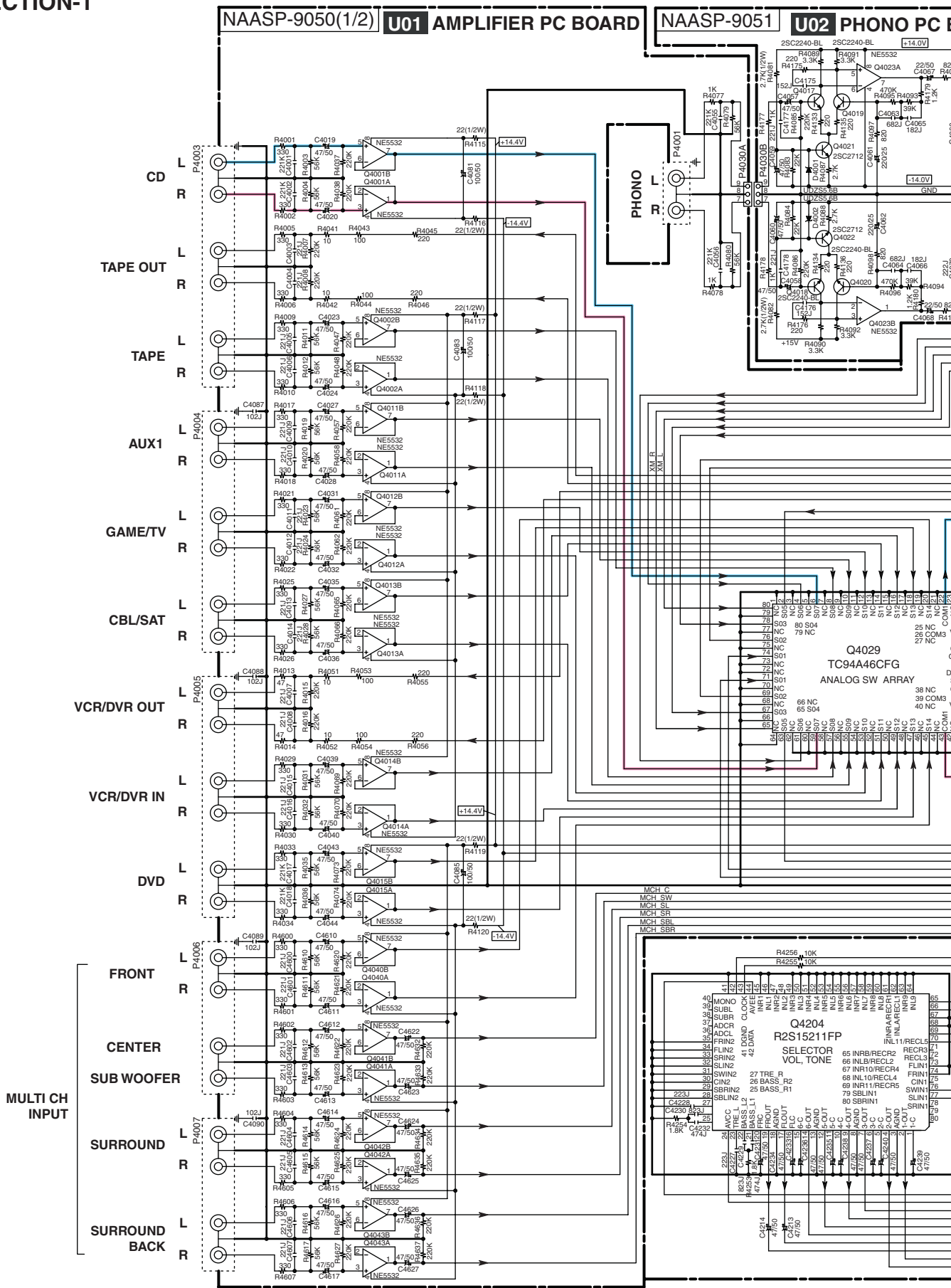
1

2

3

4

5



NAASP-9050(1/2) U01 AMPLIFIER PC BOARD

NAASP-9051 U02 PHONO PC BOARD

CD L R

TAPE OUT L R

TAPE L R

AUX1 L R

GAME/TV L R

CBL/SAT L R

VCR/DVR OUT L R

VCR/DVR IN L R

DVD L R

FRONT L R

CENTER SUB WOOFER

MULTI CH INPUT

SURROUND L R

SURROUND BACK L R

PHONO L R

Q4029
TC94A46CFG
ANALOG SW ARRAY

Q4204
R2S15211FP
SELECTOR VOL. TONE

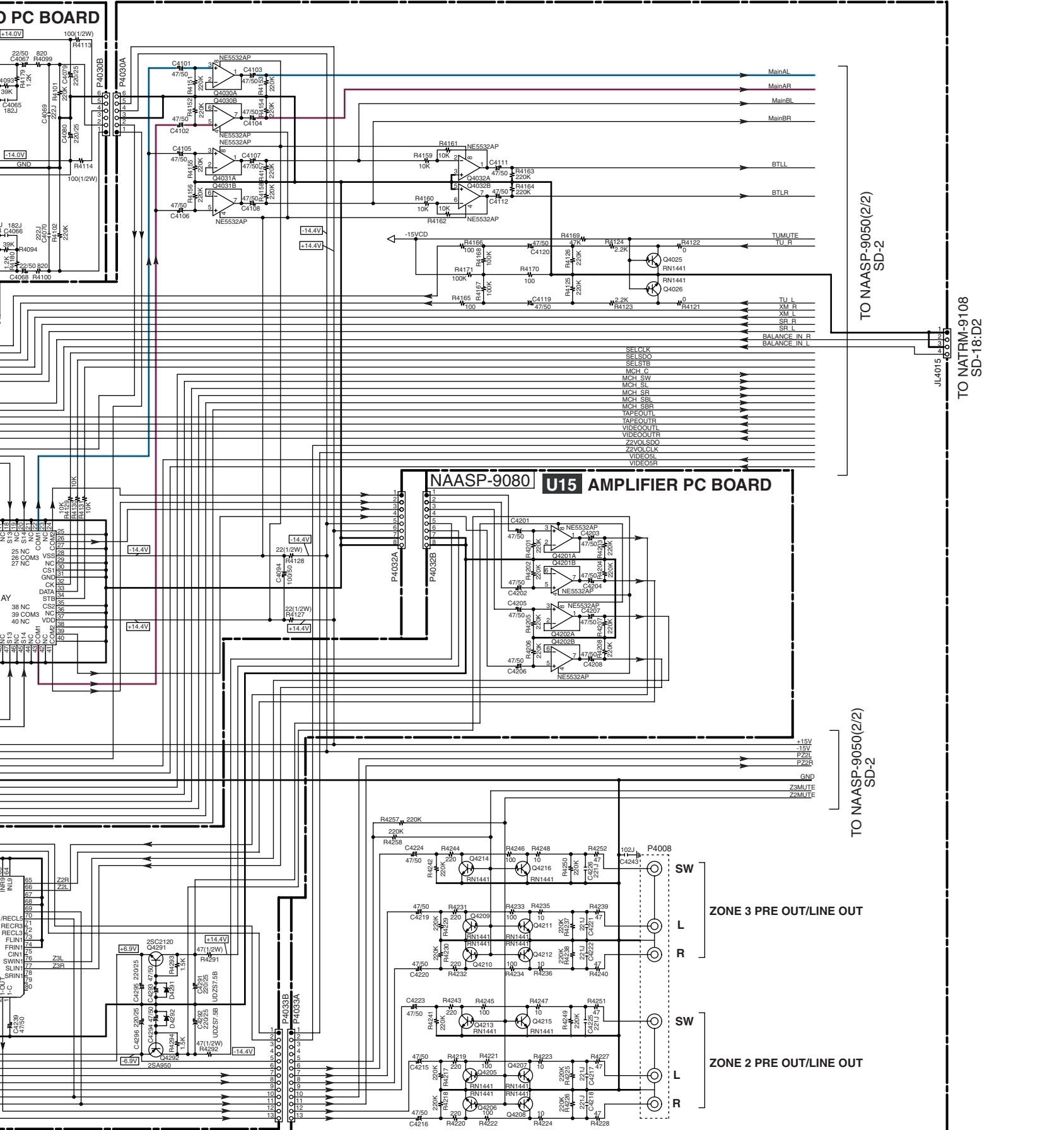
E

F

G

H

<Note>
SD-x:XY is short for Schematic Diagram-x and
each socket's location, X=A to H, Y=1 to 5.



TO NAASP-9050(2/2)
SD-2

TO NATRM-9108
SD-18:D2

TO NAASP-9050(2/2)
SD-2

ZONE 3 PRE OUT/LINE OUT

ZONE 2 PRE OUT/LINE OUT

A

B

C

D

SCHEMATIC DIAGRAMS-2 (SD-2)

AUDIO SECTION-2

NAASP-9050(2/2) U01 AMPLIFIER PC BOARD

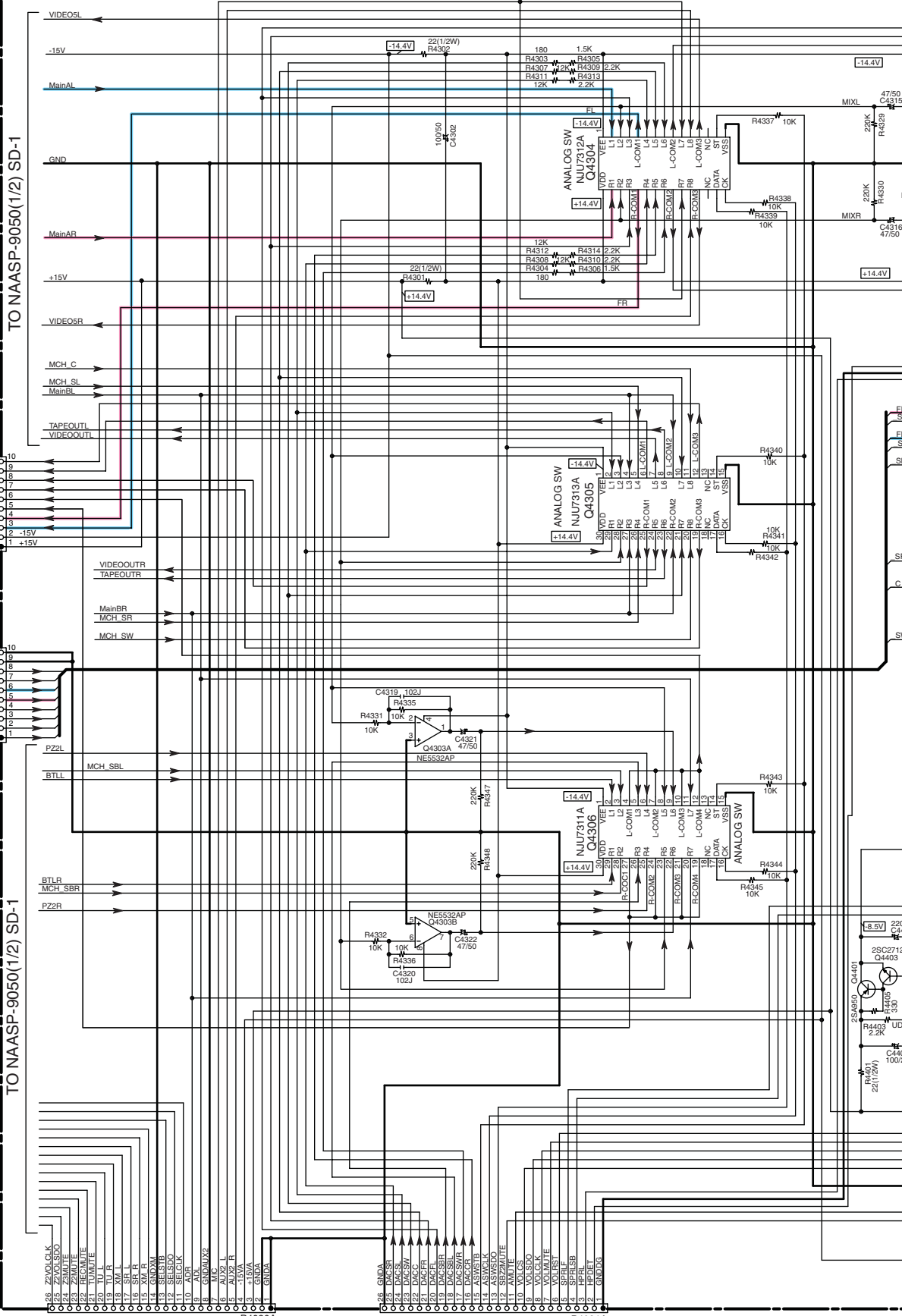
1

2

3

4

5



TO NAETC-9073
SD-10:F2

TO NAETC-9073
SD-10:H2

TO NAASP-9050(1/2) SD-1

TO NAAR-9075
SD-4:F4

TO NAAR-9075
SD-4:G4

P4020A

P4021A



E

F

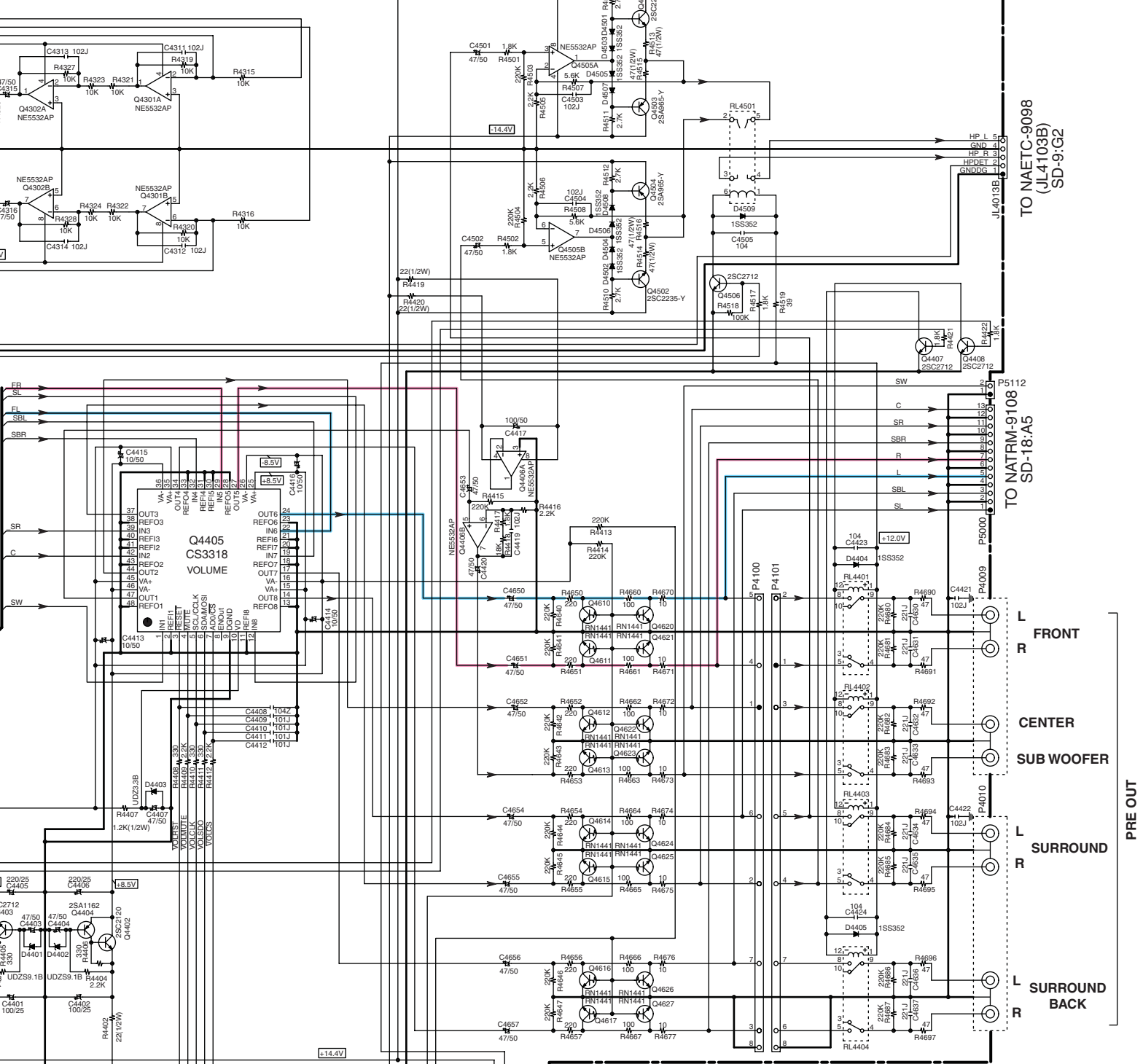
G

H

<Note>
SD-x:XY is short for Schematic Diagram-x and each socket's location, X=A to H, Y=1 to 5.

DOWN MIX CIRCUIT

HEADPHONE AMP



TO NAETC-9098
(JL4103B)
SD-9:G2

TO NATRM-9108
SD-18:A5

L
R
FRONT

CENTER
SUB WOOFER

L
R
SURROUND

L
R
SURROUND
BACK

PRE OUT

TO NATRM-9108
SD-18:G2

NOTE

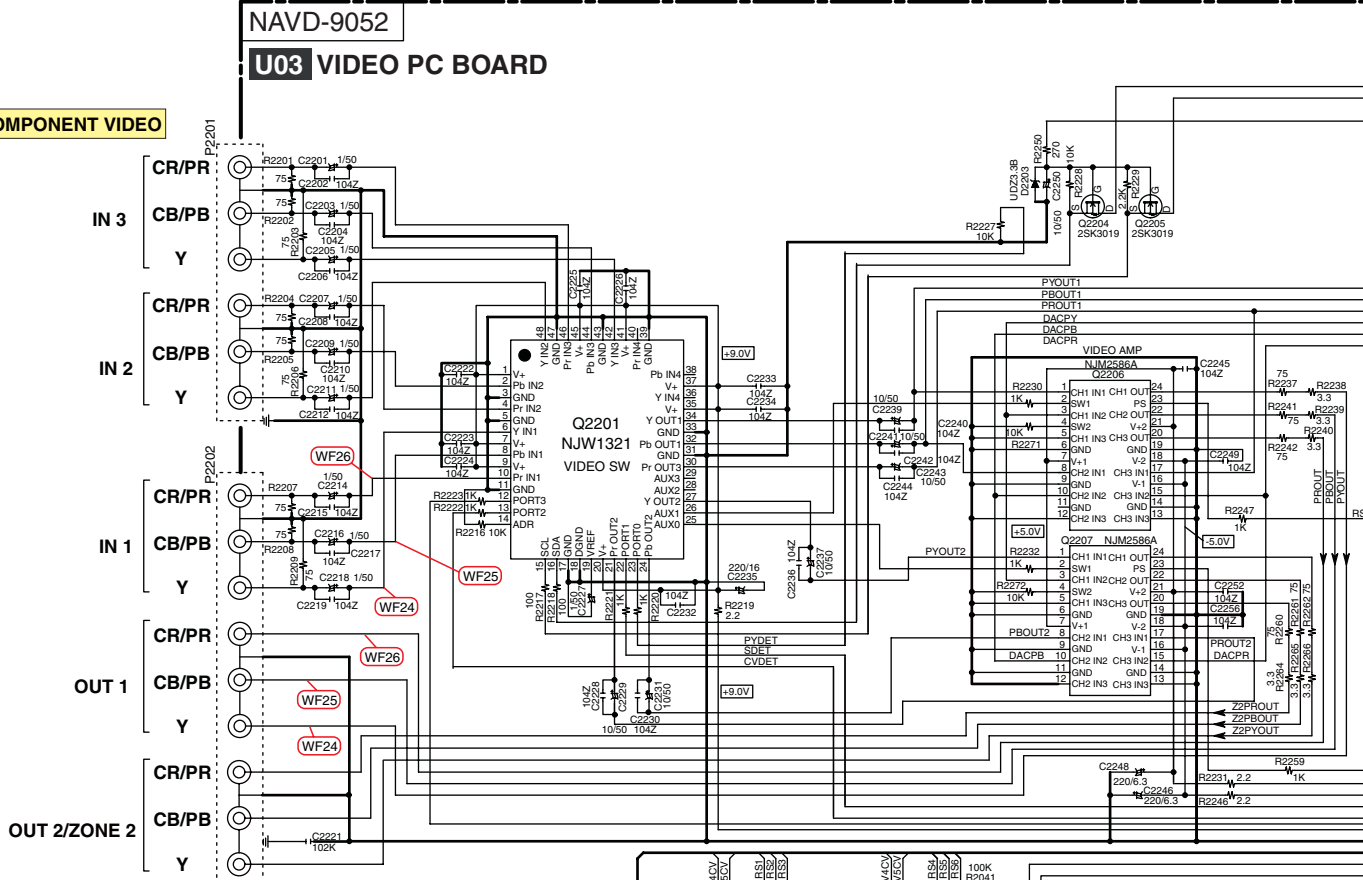
- THE COMPONENTS IDENTIFIED BY MARK Δ ARE CRITICAL FOR SAFETY. REPLACE ONLY WITH PART NUMBER SPECIFIED.
- VOLTAGE (MEASURED WITH VOLTMETER) \square IS DC VOLTAGE. (NO INPUT SIGNAL).
- ALL PNP TRANSISTORS ARE EQUIVALENT TO 2SA1015-GR UNLESS OTHERWISE NOTED.
- ALL NPN TRANSISTORS ARE EQUIVALENT TO 2SC1815-GR UNLESS OTHERWISE NOTED.
- ALL DIODES ARE EQUIVALENT TO 1SS133 UNLESS OTHERWISE NOTED.
- ELECTROLYTIC CAPACITORS (---) ARE IN $\mu\text{F/WV}$.
- ALL CAPACITORS ARE IN $\text{pF}/50\text{VWV}$ UNLESS OTHERWISE NOTED.
EX) 030- 3pF, 330- 33pF, 331- 330pF, 333- 0.033 μF
- ALL RESISTORS ARE IN OHMS 1/4WATTS UNLESS OTHERWISE NOTED.
- THE THICK LINES ON PCB ARE THE PRINTING SIDE OF THE PARTS.
EX) \square PRINTING SIDE
- CIRCUIT IS SUBJECT TO CHANGE FOR IMPROVEMENT.

SCHEMATIC DIAGRAMS-3 (SD-3) VIDEO SECTION

A B C D

1

COMPONENT VIDEO

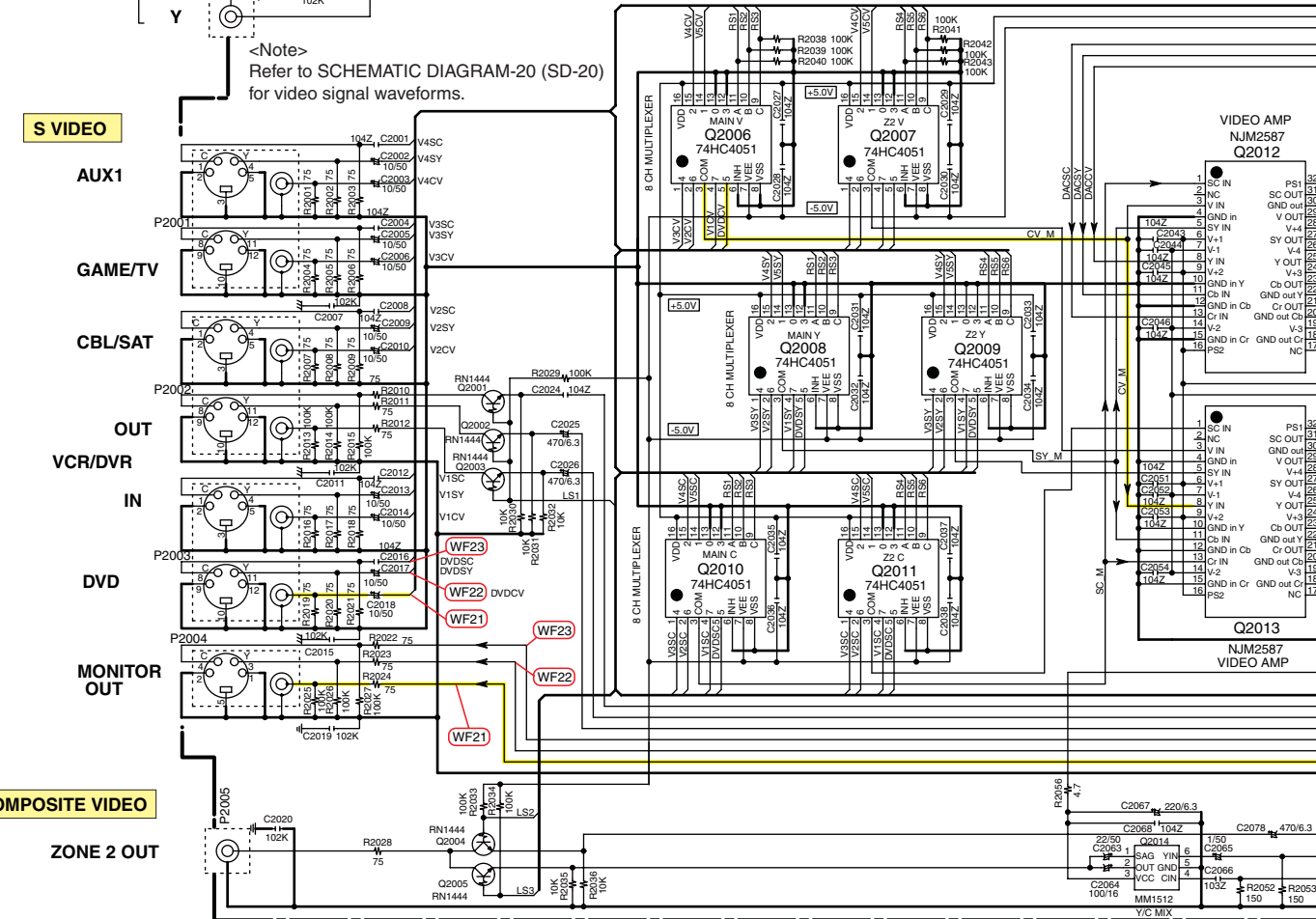


2

3

<Note>
Refer to SCHEMATIC DIAGRAM-20 (SD-20)
for video signal waveforms.

S VIDEO



4

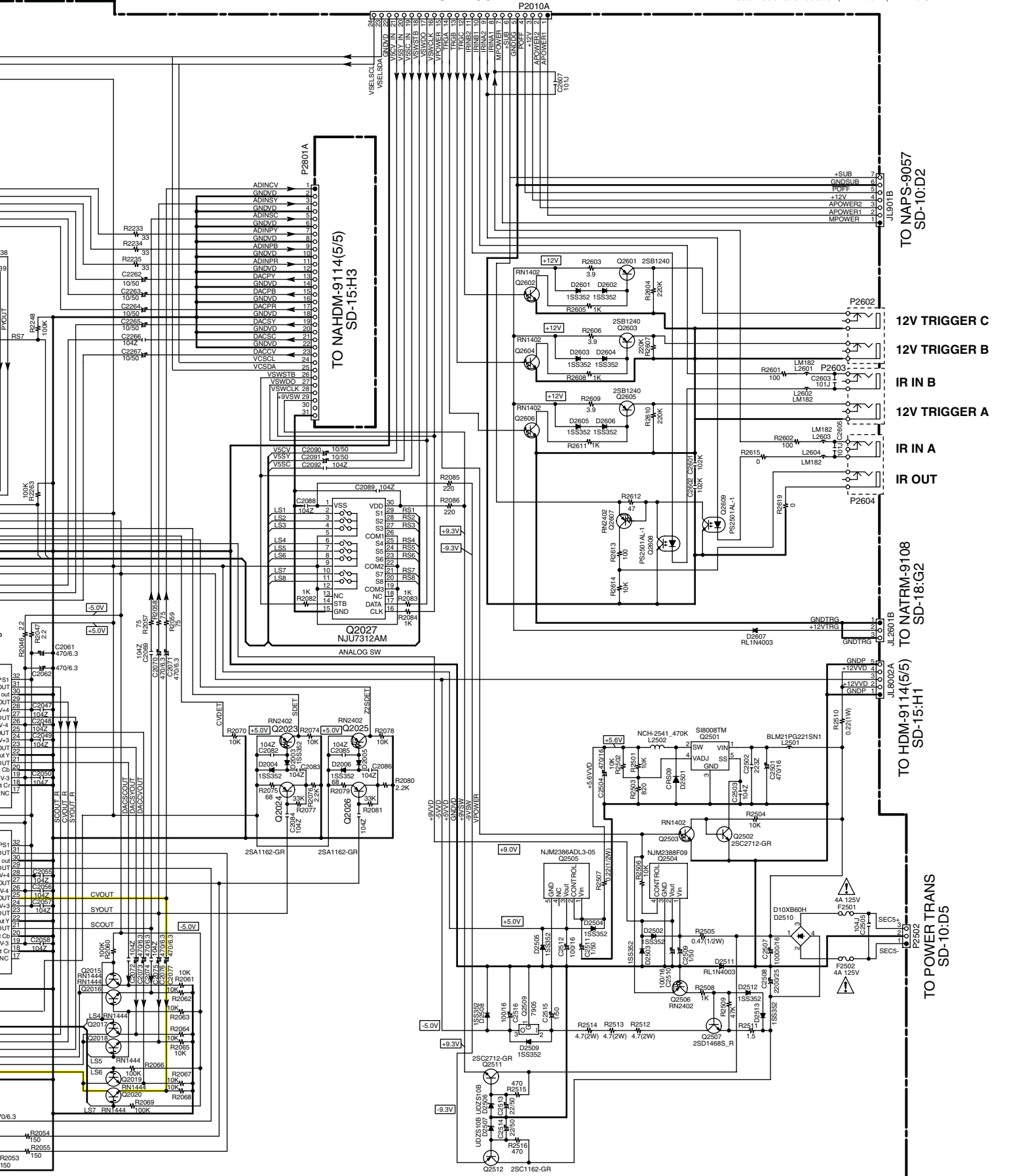
5

COMPOSITE VIDEO

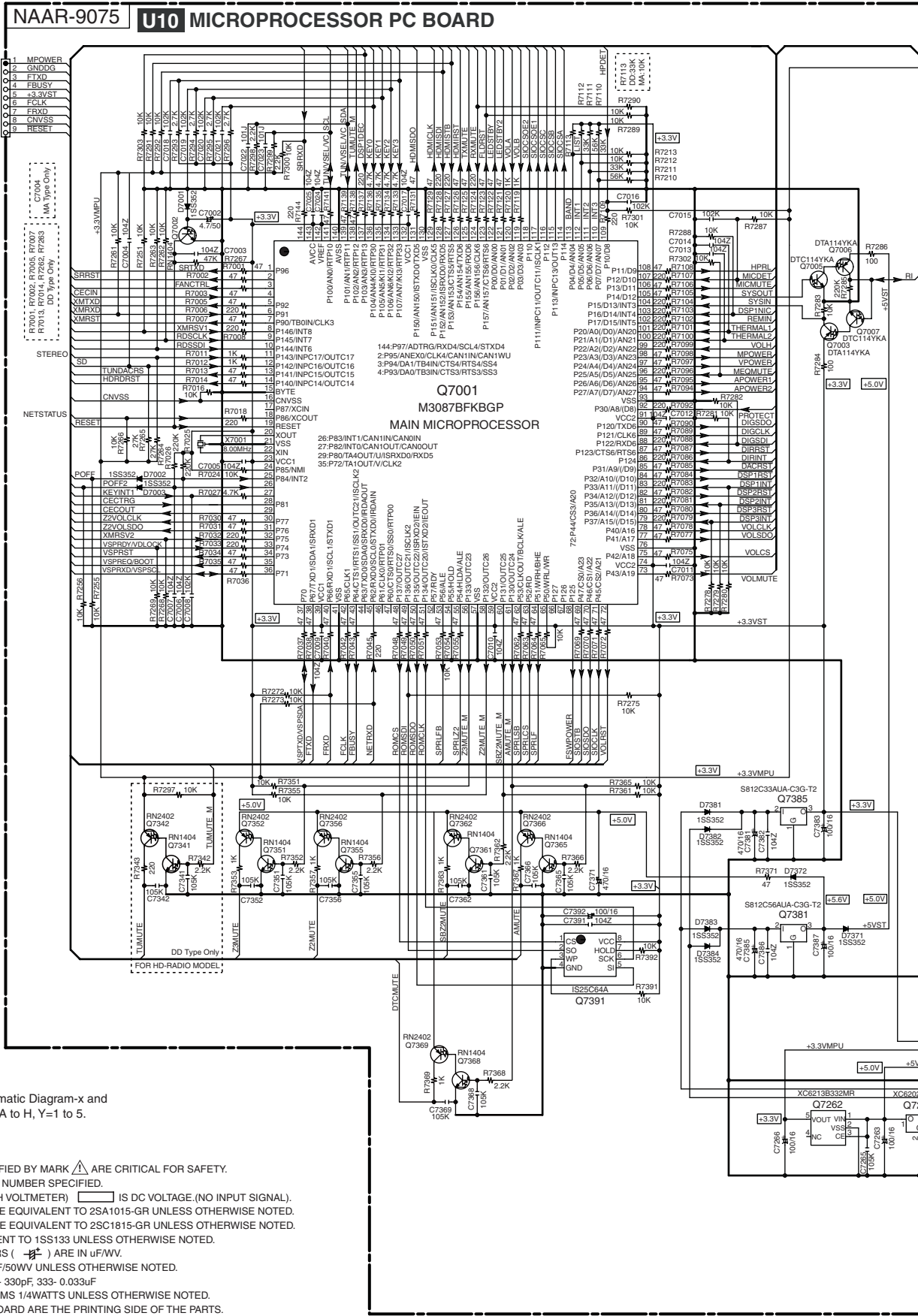
ZONE 2 OUT

TO NAAR-9075
SD-4:G3

<Note>
SD-x:XY is short for Schematic Diagram-x and
each socket's location, X=A to H, Y=1 to 5.



SCHEMATIC DIAGRAMS-4 (SD-4) MICROPROCESSOR SECTION



<Note>
SD-x:XY is short for Schematic Diagram-x and
each socket's location, X=A to H, Y=1 to 5.

NOTE

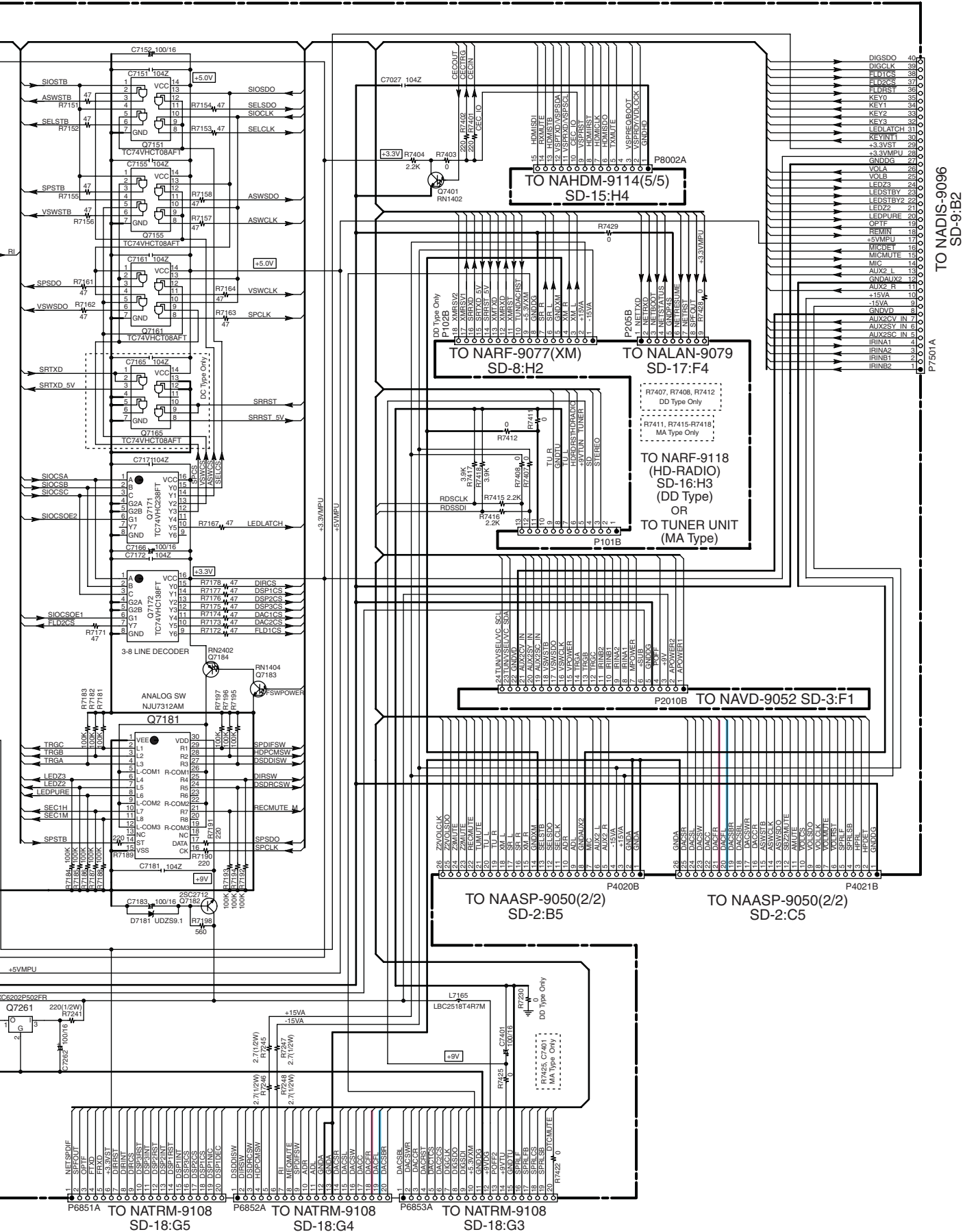
- THE COMPONENTS IDENTIFIED BY MARK ARE CRITICAL FOR SAFETY. REPLACE ONLY WITH PART NUMBER SPECIFIED.
- VOLTAGE (MEASURED WITH VOLTMETER) IS DC VOLTAGE.(NO INPUT SIGNAL).
- ALL PNP TRANSISTORS ARE EQUIVALENT TO 2SA1015-GR UNLESS OTHERWISE NOTED.
- ALL NPN TRANSISTORS ARE EQUIVALENT TO 2SC1815-GR UNLESS OTHERWISE NOTED.
- ALL DIODES ARE EQUIVALENT TO 1SS133 UNLESS OTHERWISE NOTED.
- ELECTROLYTIC CAPACITORS () ARE IN uF/WV.
- ALL CAPACITORS ARE IN pF/50WV UNLESS OTHERWISE NOTED.
EX) 030-3pF, 330-33pF, 331-330pF, 333-0.033uF
- ALL RESISTORS ARE IN OHMS 1/4WATT'S UNLESS OTHERWISE NOTED.
- THE THICK LINES ON PC BOARD ARE THE PRINTING SIDE OF THE PARTS.
EX) PRINTING SIDE
- CIRCUIT IS SUBJECT TO CHANGE FOR IMPROVEMENT.

E

F

G

H



TO NADIS-9096 SD-9:B2

TO NARF-9077(XM) SD-8:H2

TO NALAN-9079 SD-17:F4

TO NARF-9118 (HD-RADIO) SD-16:H3 (DD Type) OR TO TUNER UNIT (MA Type)

TO NAVD-9052 SD-3:F1

TO NAASP-9050(2/2) SD-2:B5

TO NAASP-9050(2/2) SD-2:C5

TO NATRM-9108 SD-18:G5

TO NATRM-9108 SD-18:G4

TO NATRM-9108 SD-18:G3

SCHEMATIC DIAGRAMS-5 (SD-5) DAC SECTION

A

B

C

D

NADG-9074 U09 DAC PC BOARD

1

2

3

4

5

RS232

RI

COAXIAL

IN 1

IN 2

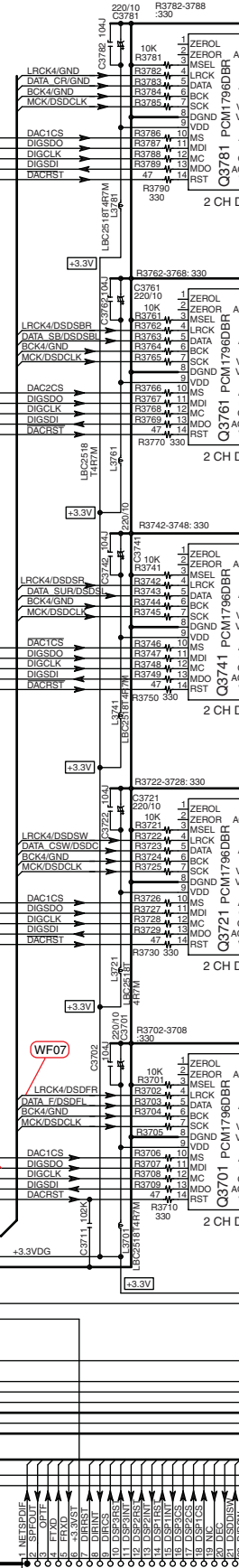
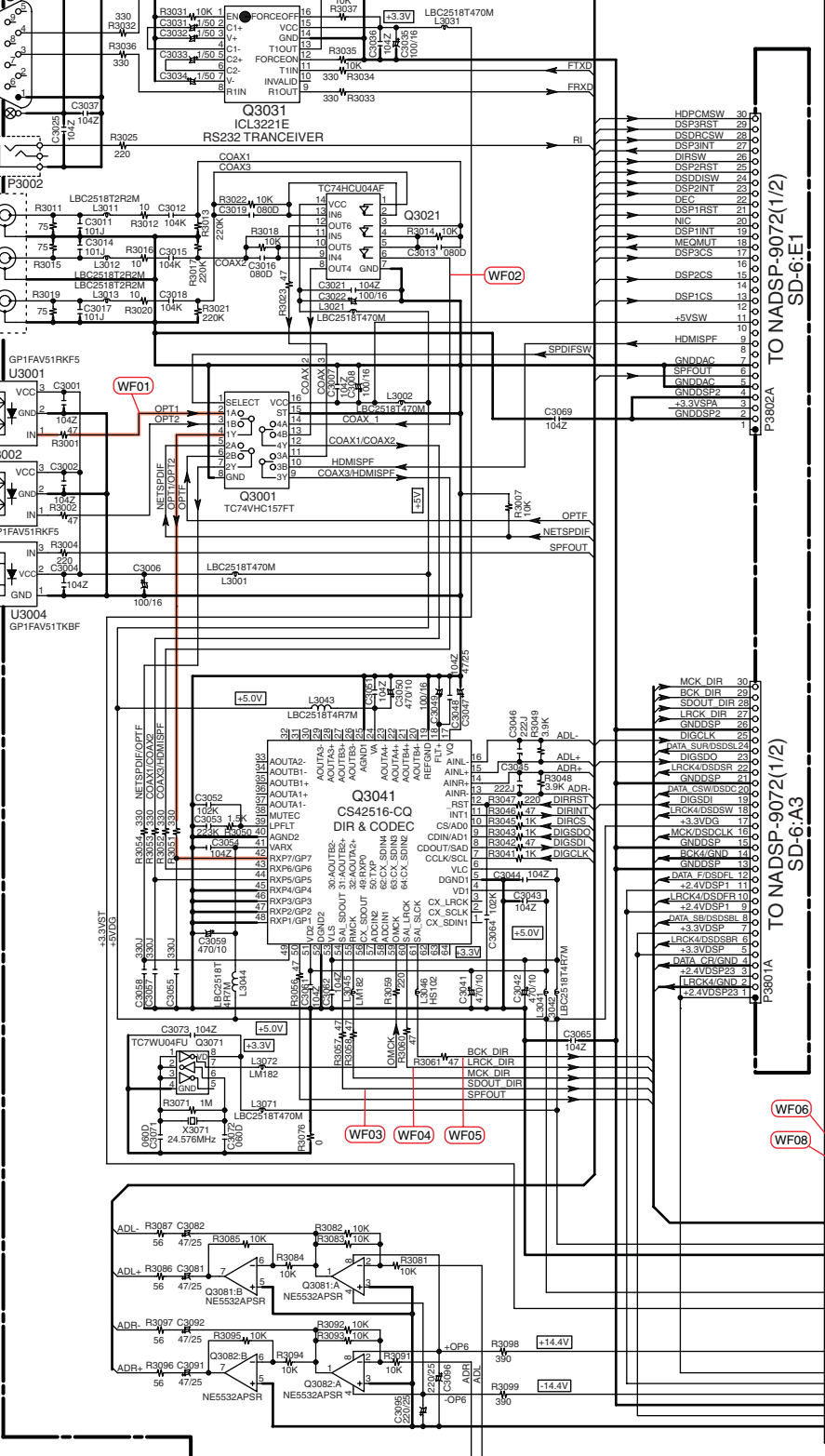
IN 3

OPTICAL

IN 1

IN 2

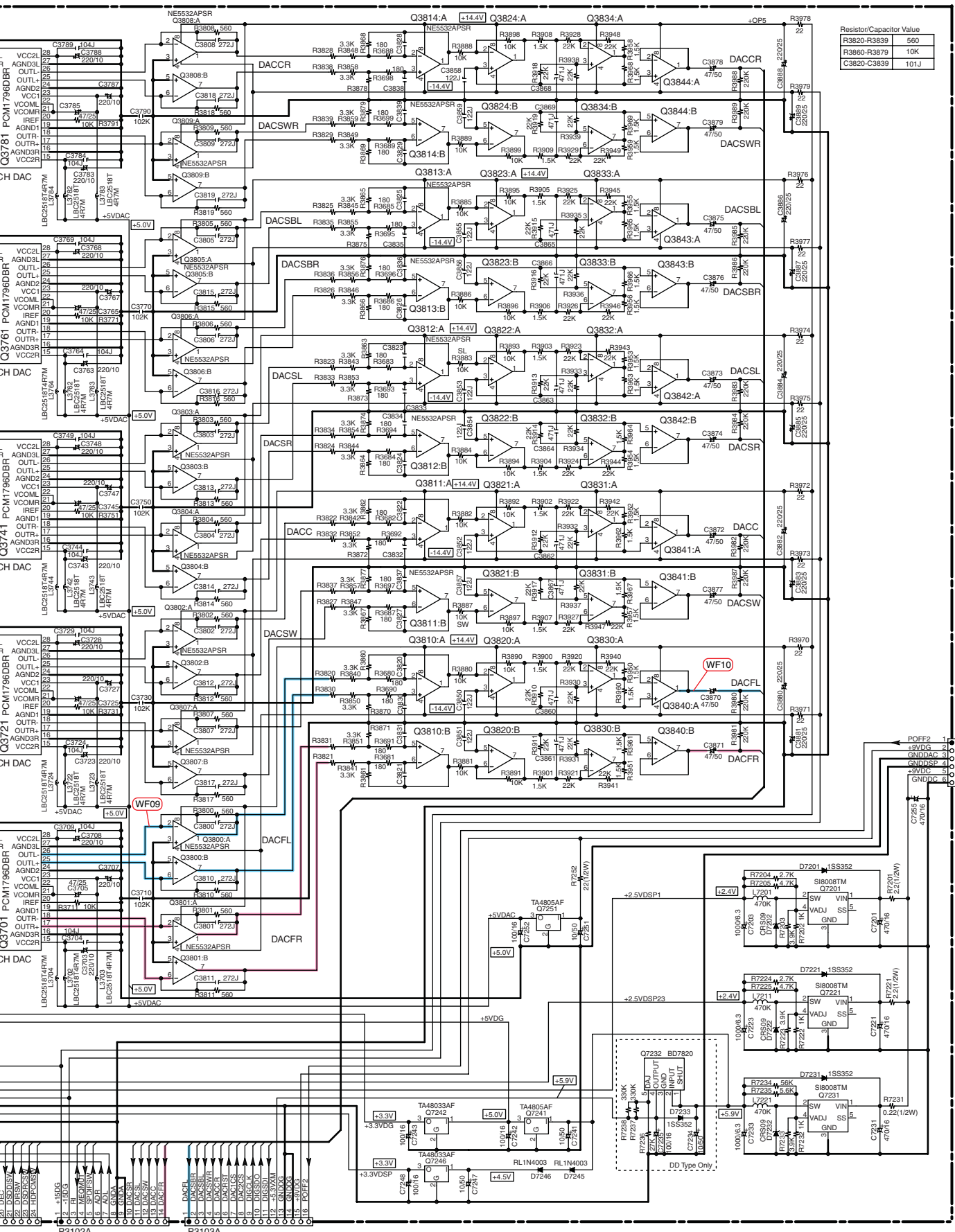
OUT



<Note>
SD-x:XY is short for Schematic Diagram-x and each socket's location, X=A to H, Y=1 to 5.

<Note>
1. Refer to SCHEMATIC DIAGRAM-19 (SD-19) for digital audio signal flow waveforms.
2. (WF01) is short for (WaveForm01).

E F G H



TO NAPS-9099
SD-10:H4

JL9501A

P3102A TO NATRM-9108 SD-18:G4
 P3103A TO NATRM-9108 SD-18:G4

A

B

C

D

SCHEMATIC DIAGRAMS-6 (SD-6)

DSP SECTION-1

TO NAHDM-9114(5/5)
SD-15:H4

TO M...

1

2

3

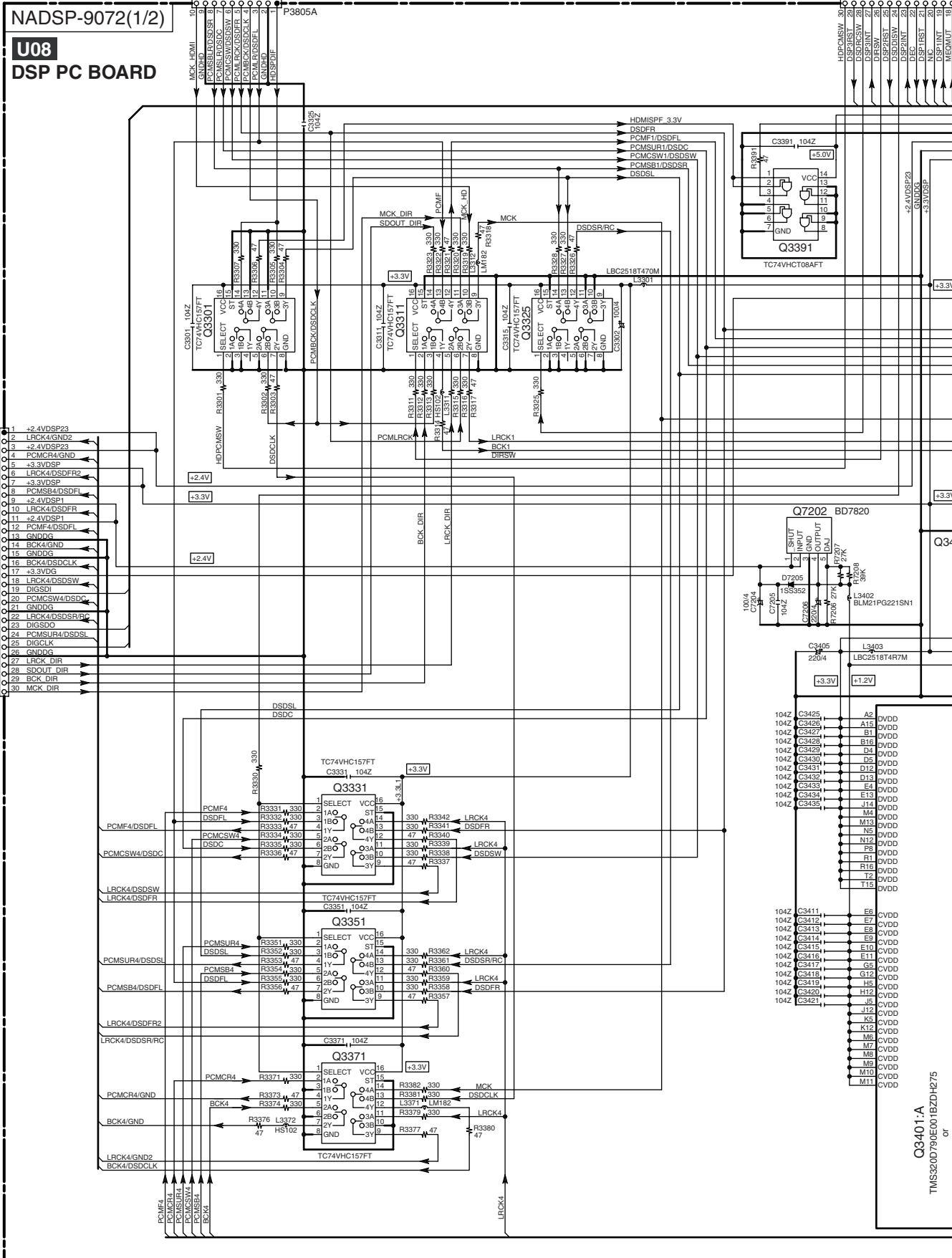
4

5

NADSP-9072(1/2)

U08

DSP PC BOARD

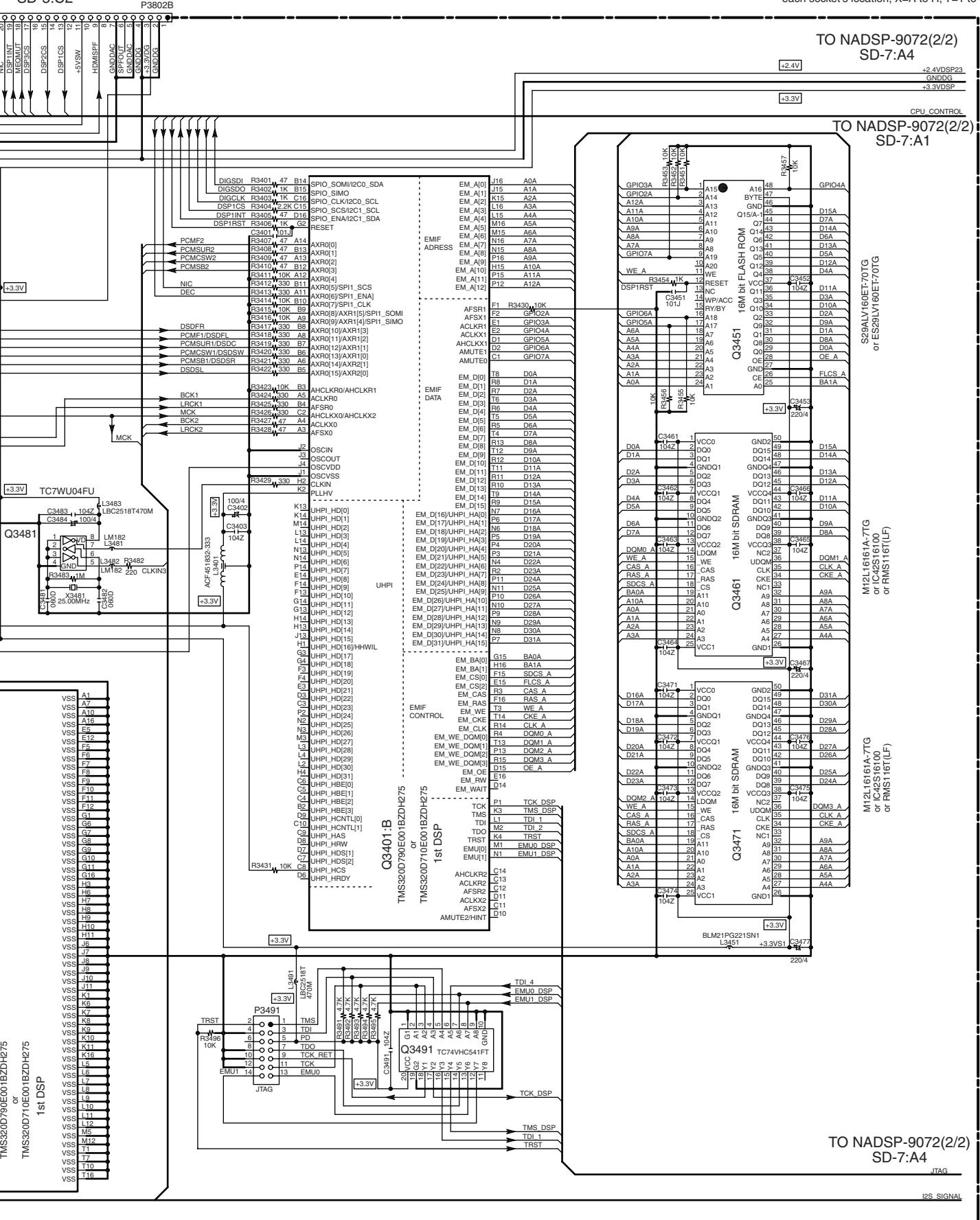


Q3401-A
TMS320D790E001BZD7H5
or

E F G H

TO NADG-9074 SD-5:C2

-Notes- SD-x:Y is short for Shcematic Diagram-x and each socket's location, X=A to H, Y=1 to 5.



TMS320D790E001BZD:H275
or
TMS320D790E001BZD:H275
1st DSP

TO NADSP-9072(2/2)
SD-7:A4

JTAG

IS2 SIGNAL

A

B

C

D

SCHEMATIC DIAGRAMS-7 (SD-7) DSP SECTION-2

1

2

3

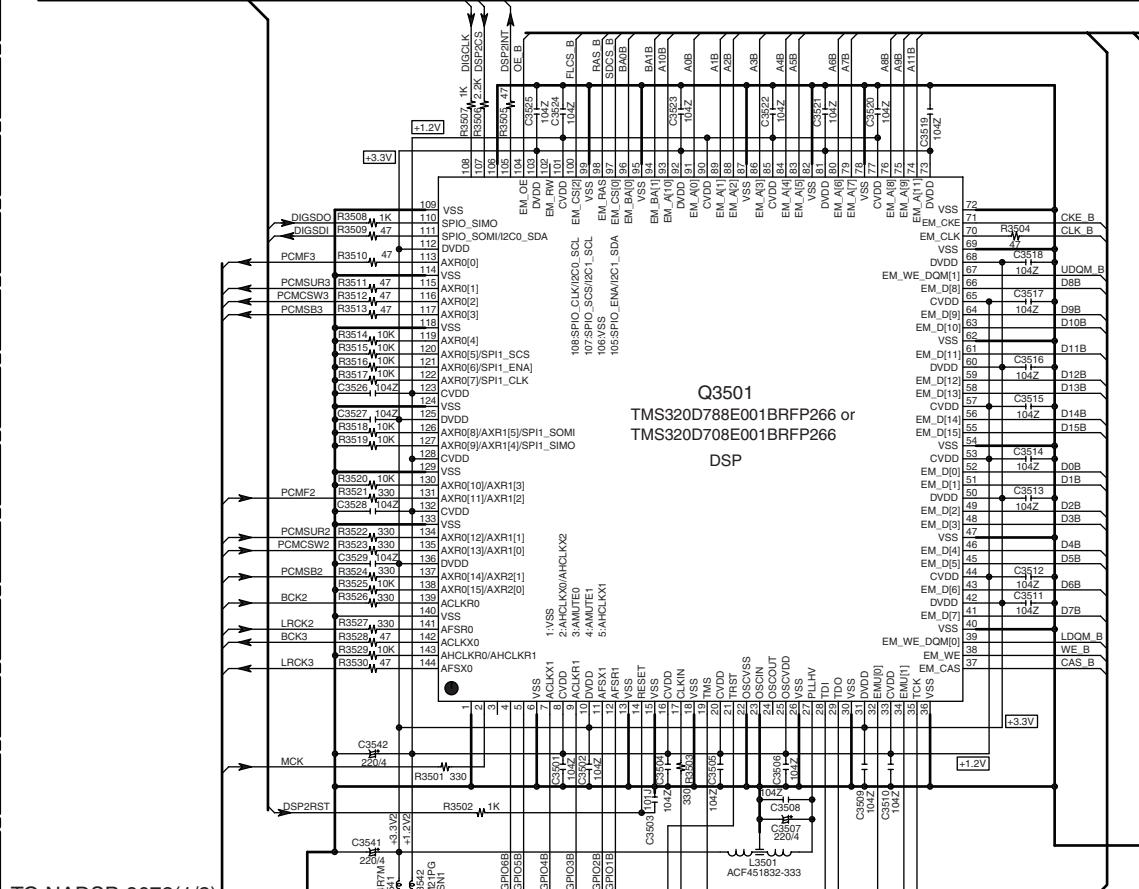
4

5

NADSP-9072(2/2)

U08 DSP PC BOARD

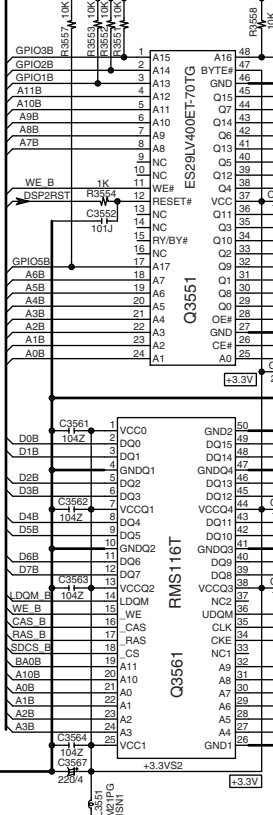
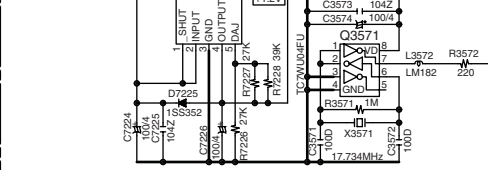
TO NADSP-9072(1/2) SD-6:H1 GPU CONTROL

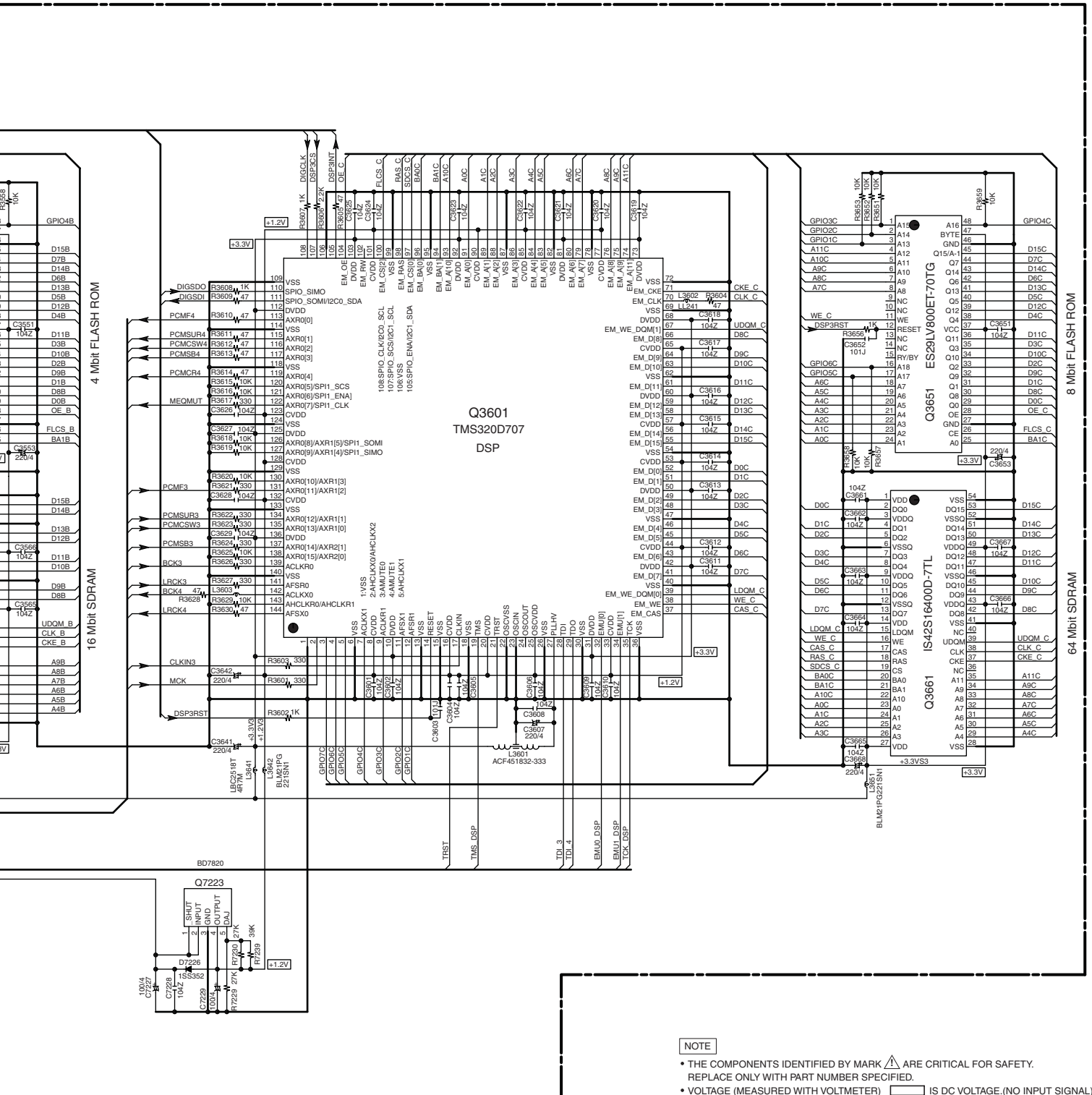


TO NADSP-9072(1/2) SD-6:H1,H5

I2S SIGNAL -2.4V DSP23 +3.3V DSP GND DG

JTAG





NOTE

- THE COMPONENTS IDENTIFIED BY MARK ARE CRITICAL FOR SAFETY. REPLACE ONLY WITH PART NUMBER SPECIFIED.
- VOLTAGE (MEASURED WITH VOLTMETER) IS DC VOLTAGE (NO INPUT SIGNAL).
- ALL PNP TRANSISTORS ARE EQUIVALENT TO 2SA1015-GR UNLESS OTHERWISE NOTED.
- ALL NPN TRANSISTORS ARE EQUIVALENT TO 2SC1815-GR UNLESS OTHERWISE NOTED.
- ALL DIODES ARE EQUIVALENT TO 1SS133 UNLESS OTHERWISE NOTED.
- ELECTROLYTIC CAPACITORS () ARE IN uF/WV.
- ALL CAPACITORS ARE IN pF/50WV UNLESS OTHERWISE NOTED.
- EX) 030- 3pF, 330- 330pF, 331- 330pF, 333- 0.033uF
- ALL RESISTORS ARE IN OHMS 1/4WATTS UNLESS OTHERWISE NOTED.
- THE THICK LINES ON PC BOARD ARE THE PRINTING SIDE OF THE PARTS.
- EX) PRINTING SIDE
- CIRCUIT IS SUBJECT TO CHANGE FOR IMPROVEMENT.

<Note>
SD-x:XY is short for Schematic Diagram-x and each socket's location, X=A to H, Y=1 to 5.

A

B

C

D

SCHEMATIC DIAGRAMS-8 (SD-8)
XM/SIRIUS SECTION

1

2

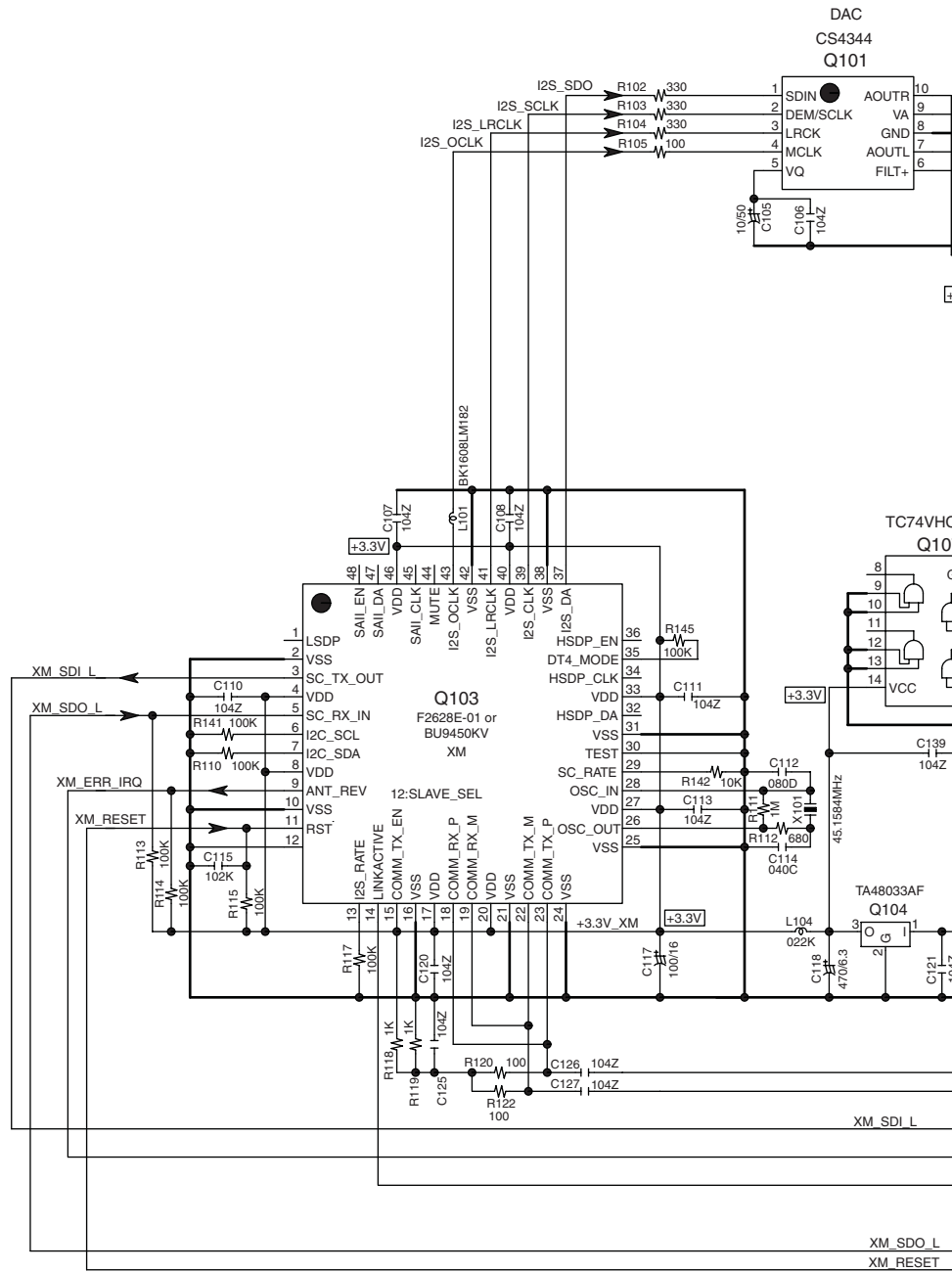
3

4

5

NARF-9077

U12 XM PC BOARD



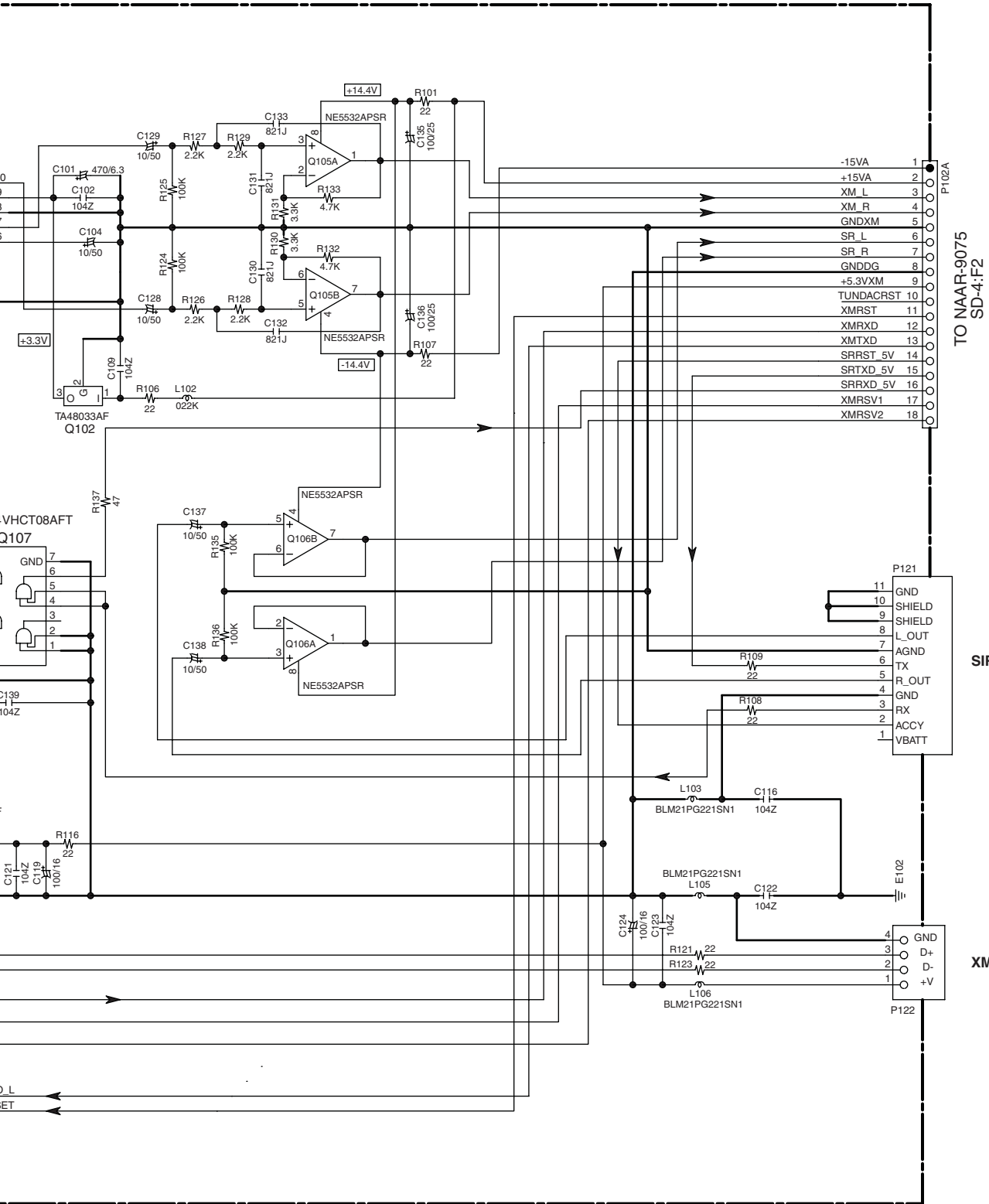
<Note>
SD-x:XY is short for Schematic Diagram-x and each socket's location, X=A to H, Y=1 to 5.

E

F

G

H



TO NAAR-9075
SD-4:F2

SIRIUS

XM

A

B

C

D

SCHEMATIC DIAGRAMS-9 (SD-9) DISPLAY SECTION

1

<Note>
SD-x:XY is short for Shematic Diagram-x and
each socket's location, X=A to H, Y=1 to 5.

2

<Note>
Refer to SCHEMATIC DIAGRAM-19 (SD-19)
for FL driver IC control waveforms.

3

AUX 2 INPUT
(FRONT)

DIGITAL

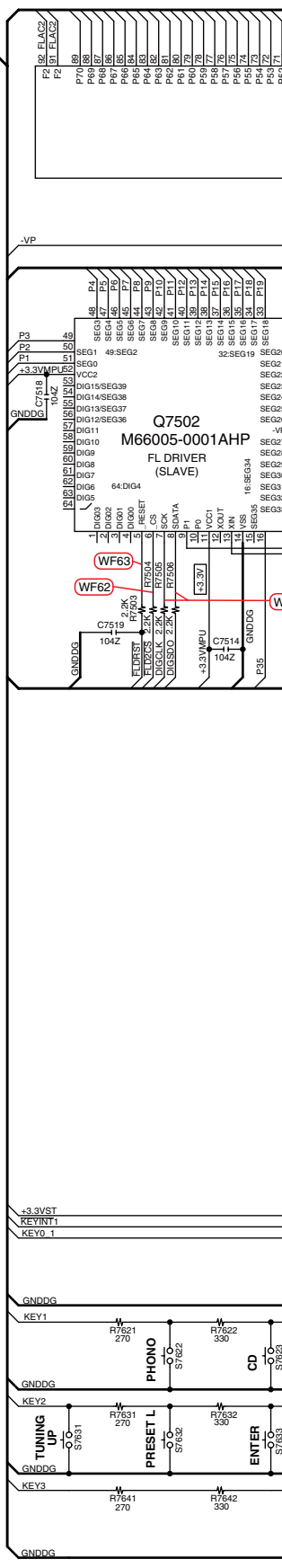
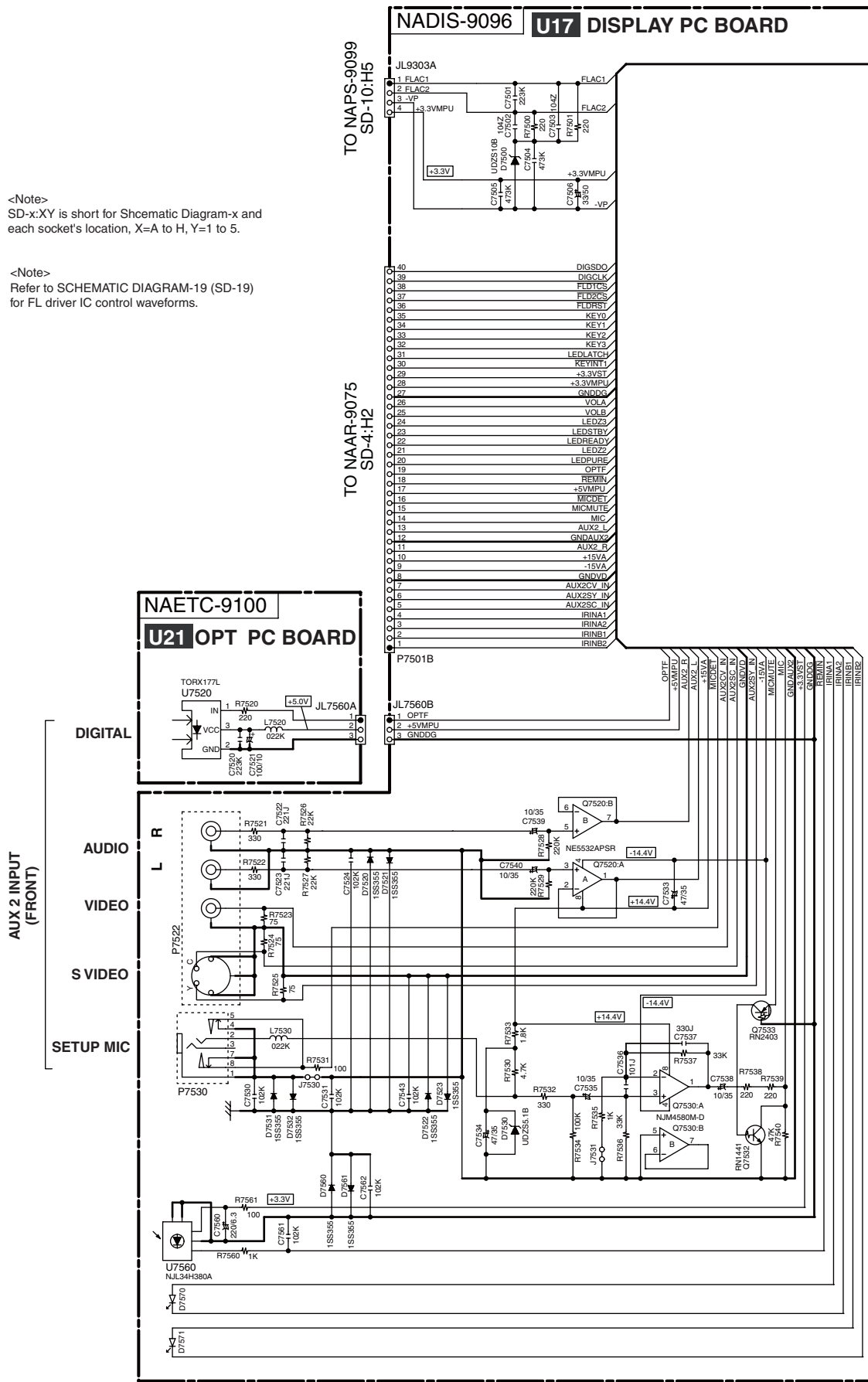
AUDIO

VIDEO

S VIDEO

SETUP MIC

5



NADIS-9096 U17 DISPLAY PC BOARD

NAETC-9100 U21 OPT PC BOARD

TO NAPS-9099
SD-10:H5

TO NAAR-9075
SD-4:H2

P7501B

P2 P3 P4 P5 P6 P7 P8 P9 P10 P11 P12 P13 P14 P15 P16 P17 P18 P19 P20 P21 P22 P23 P24 P25 P26 P27 P28 P29 P30 P31 P32 P33 P34 P35 P36 P37 P38 P39 P40 P41 P42 P43 P44 P45 P46 P47 P48 P49 P50 P51 P52 P53 P54 P55 P56 P57 P58 P59 P60 P61 P62 P63 P64 P65 P66 P67 P68 P69 P70 P71 P72 P73 P74 P75 P76 P77 P78 P79 P80 P81 P82 P83 P84 P85 P86 P87 P88 P89 P90 P91 P92 P93 P94 P95 P96 P97 P98 P99 P100

VP

+3.3VMPU

GNDG

RESET

WF63

WF62

GNDG

OPTIC

AUX2 L

AUX2 R

AUX2CV IN

AUX2SY IN

AUX2SC IN

GNDG

MICMUTE

MIC

GNDG

GNDG

IRIN2

IRIN1

IRIN0

GNDG

REIN2

REIN1

REIN0

GNDG

KEY3

KEY2

KEY1

GNDG

PHONO

CD

GNDG

TUNING UP

PRESET L

ENTER

GNDG

GNDG

GNDG

GNDG

GNDG

GNDG

GNDG

GNDG

GNDG

GNDG

GNDG

GNDG

GNDG

GNDG

GNDG

GNDG

GNDG

GNDG

GNDG

GNDG

GNDG

GNDG

GNDG

GNDG

GNDG

GNDG

GNDG

GNDG

GNDG

GNDG

GNDG

GNDG

GNDG

GNDG

GNDG

GNDG

GNDG

GNDG

GNDG

GNDG

GNDG

GNDG

GNDG

GNDG

GNDG

GNDG

GNDG

GNDG

GNDG

GNDG

GNDG

GNDG

GNDG

GNDG

GNDG

GNDG

GNDG

GNDG

GNDG

GNDG

GNDG

GNDG

GNDG

GNDG

GNDG

GNDG

GNDG

GNDG

GNDG

GNDG

GNDG

GNDG

GNDG

GNDG

GNDG

GNDG

GNDG

GNDG

GNDG

GNDG

GNDG

GNDG

GNDG

GNDG

GNDG

GNDG

GNDG

GNDG

GNDG

GNDG

GNDG

GNDG

GNDG

GNDG

GNDG

GNDG

GNDG

GNDG

GNDG

GNDG

GNDG

GNDG

GNDG

GNDG

GNDG

GNDG

GNDG

GNDG

GNDG

GNDG

GNDG

GNDG

GNDG

GNDG

GNDG

GNDG

GNDG

GNDG

GNDG

GNDG

GNDG

GNDG

GNDG

GNDG

GNDG

GNDG

GNDG

GNDG

GNDG

GNDG

GNDG

GNDG

GNDG

GNDG

GNDG

GNDG

GNDG

GNDG

GNDG

GNDG

GNDG

GNDG

GNDG

GNDG

GNDG

GNDG

GNDG

GNDG

GNDG

GNDG

GNDG

GNDG

GNDG

GNDG

GNDG

GNDG

GNDG

GNDG

GNDG

GNDG

GNDG

GNDG

GNDG

GNDG

GNDG

GNDG

GNDG

GNDG

GNDG

GNDG

GNDG

GNDG

GNDG

GNDG

GNDG

GNDG

GNDG

GNDG

GNDG

GNDG

GNDG

GNDG

GNDG

GNDG

GNDG

GNDG

GNDG

GNDG

GNDG

GNDG

GNDG

GNDG

GNDG

GNDG

GNDG

GNDG

JL9303A

1 FLAC1

2 FLAC2

3 VP

4 +3.3VMPU

5 -VP

6 FLAC1

7 FLAC2

8 220

9 UD5651B

10 104Z

11 C7502

12 C7501

13 R7500

14 223K

15 R7304

16 473K

17 C7503

18 104Z

19 +3.3VMPU

20 -VP

21 C7504

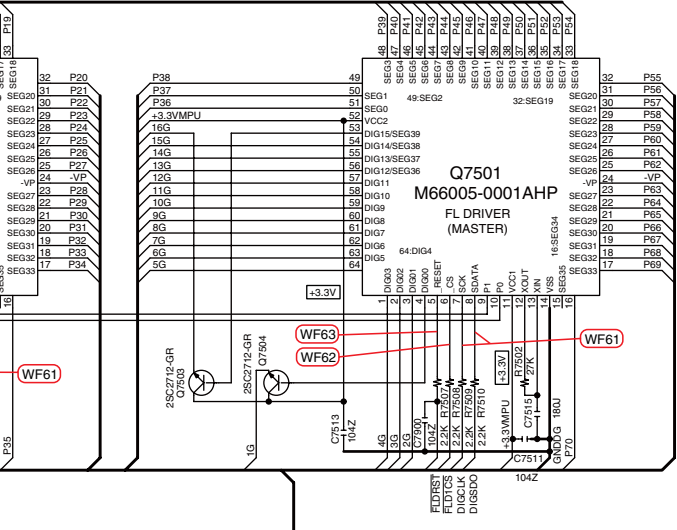
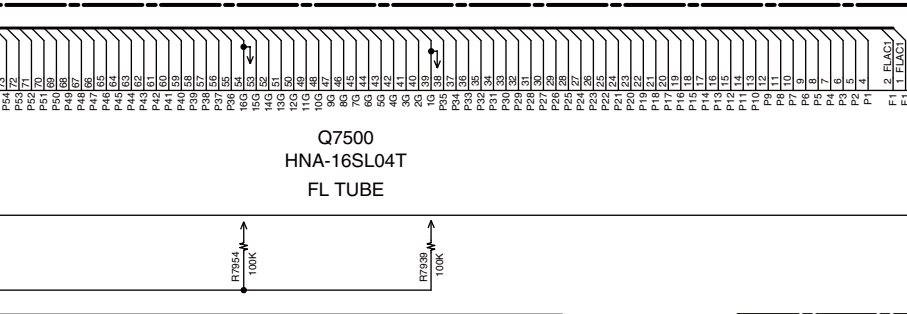
22 473K

23 C7505

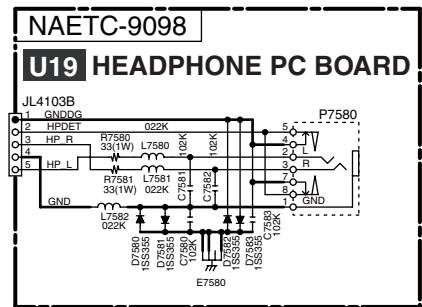
24 3330

25 -VP

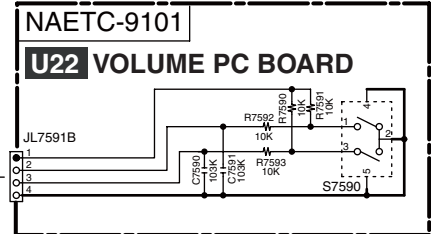
26 FLAC1



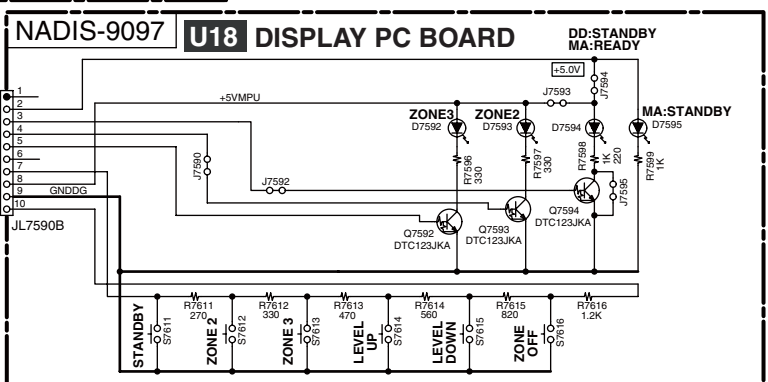
TO NAASP-9050(2)
(JL4013B)
SD-2:HT



HEADPHONE



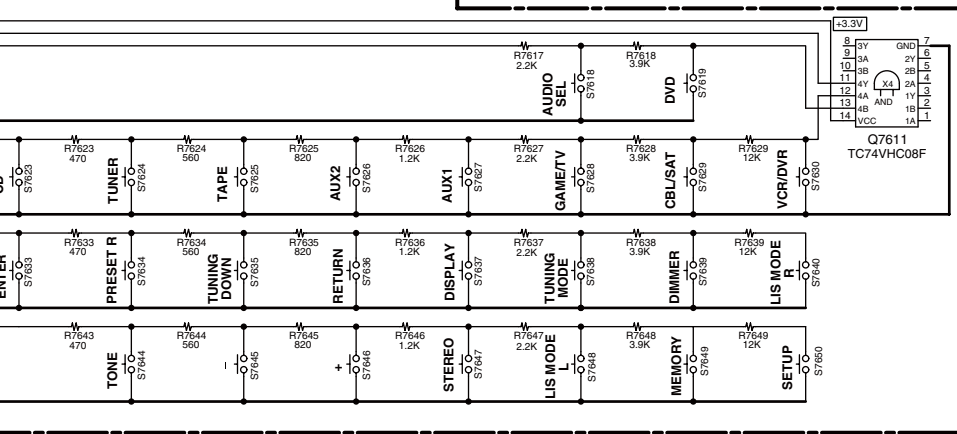
MASTER VOLUME



Type	Q7584	R7598	R7599
MA	YES	220	1K
DD	NO	1K	NO

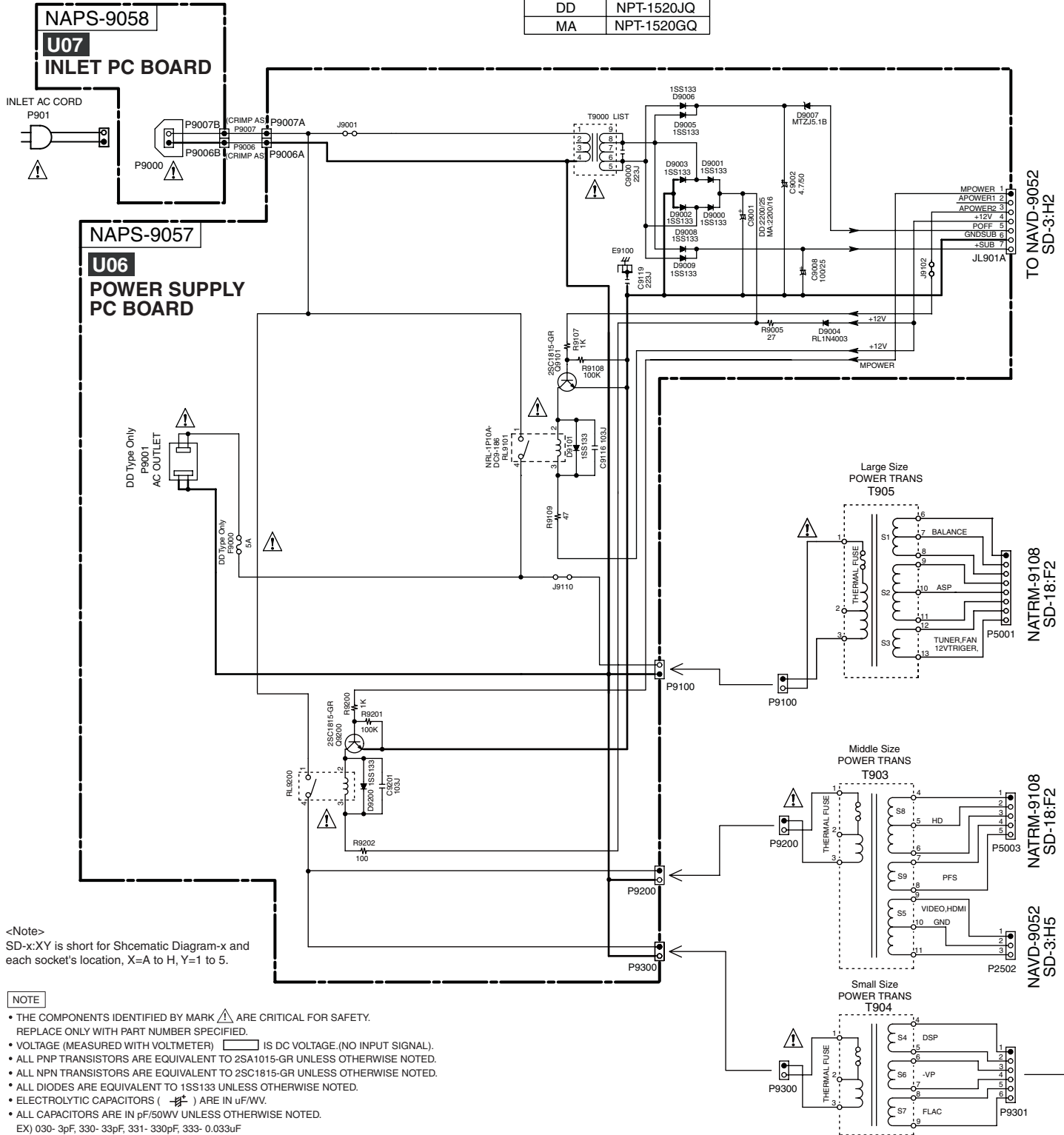
Type	D7594	D7595
MA	SEL4910D-D	SLI-343URC-TE7
DD	SLI-343URC-TE7	NO

Type	J7592	J7593	J7594	J7595
MA	YES	YES	NO	NO
DD	NO	NO	YES	YES



Q7611
TC74VHC08F

SCHEMATIC DIAGRAMS-10 (SD-10)
POWER SUPPLY SECTION



STBY Trans T9000

Type	Rating
DD	NPT-1520JQ
MA	NPT-1520GQ

<Note>
SD-x:XY is short for Schematic Diagram-x and each socket's location, X=A to H, Y=1 to 5.

NOTE

- THE COMPONENTS IDENTIFIED BY MARK ARE CRITICAL FOR SAFETY. REPLACE ONLY WITH PART NUMBER SPECIFIED.
- VOLTAGE (MEASURED WITH VOLTMETER) IS DC VOLTAGE.(NO INPUT SIGNAL).
- ALL PNP TRANSISTORS ARE EQUIVALENT TO 2SA1015-GR UNLESS OTHERWISE NOTED.
- ALL NPN TRANSISTORS ARE EQUIVALENT TO 2SC1815-GR UNLESS OTHERWISE NOTED.
- ALL DIODES ARE EQUIVALENT TO 1SS133 UNLESS OTHERWISE NOTED.
- ELECTROLYTIC CAPACITORS () ARE IN uF/WV.
- ALL CAPACITORS ARE IN pF/50WV UNLESS OTHERWISE NOTED.
EX) 030- 3pF, 330- 33pF, 331- 330pF, 333- 0.033uF
- ALL RESISTORS ARE IN OHMS 1/4WATT'S UNLESS OTHERWISE NOTED.
- THE THICK LINES ON PC BOARD ARE THE PRINTING SIDE OF THE PARTS.
EX) PRINTING SIDE
- CIRCUIT IS SUBJECT TO CHANGE FOR IMPROVEMENT.

1

2

3

4

5

TO NAVD-9052
SD-3:H2

NATRM-9108
SD-18:F2

NATRM-9108
SD-18:F2

NAVD-9052
SD-3:H5

E

F

G

H

CAUTION

FOR CONTINUED PROTECTION AGAINST FIRE HAZARD, REPLACE ONLY WITH FUSE OF SAME TYPE AND RATING INDICATED.



ATTENTION

AFIN D'ASSURER UNE PROTECTION PERMANENTE CONTRE LES RISQUES D'INCENDIE, REMPLACER UNIQUEMENT PAR UN FUSIBLE DE MEME TYPE ET CALIBRATION COMME INDIQUE.



THIS SYMBOL LOCATED NEAR THE FUSE INDICATES THAT THE FUSE USED IS SLOW OPERATING TYPE FOR CONTINUED PROTECTION AGAINST FIRE FUSE HAZARD, REPLACE WITH SAME TYPE FUSE. FOR FUSE RATING REFER TO THE MAKING ADJACENT TO THE SYMBOL.



CE SYMBOLE INDIQUE QUE LE FUSIBLE UTILISE EST A LENT, E POUR UNE PROTECTION PERMANENTE, N'UTILISER QUE DES FUSIBLES DE MEME TYPE. CE DARNIER EST INDIQUE LA QU LE PRESENT SYMBOLE EST APPOSE.

AC Volt / Freq.

Type	Volt / Freq.
DD	120V 60HZ
MA	220-240V 50HZ

Power Trans T905

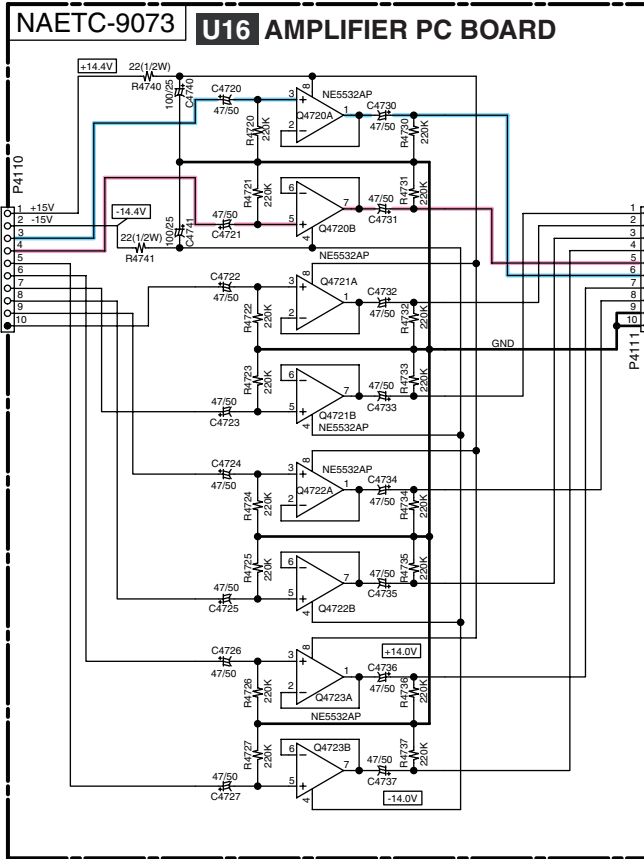
Type	Rating
DD	NPT-1558D
MA	NPT-1558M

Power Trans T903

Type	Rating
DD	NPT-1555D
MA	NPT-1555M

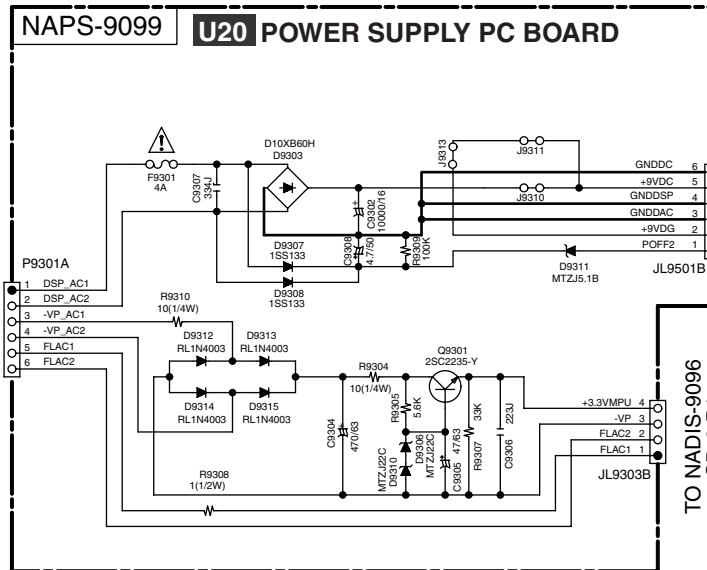
Power Trans T904

Type	Rating
DD	NPT-1556D
MA	NPT-1556M



TO NAASP-9050(2/2)
SD-2:A3

TO NAASP-9050(2/2)
SD-2:A3



TO NADG-9074
SD-5:H4

TO NADIS-9096
SD-9:B1

A

B

C

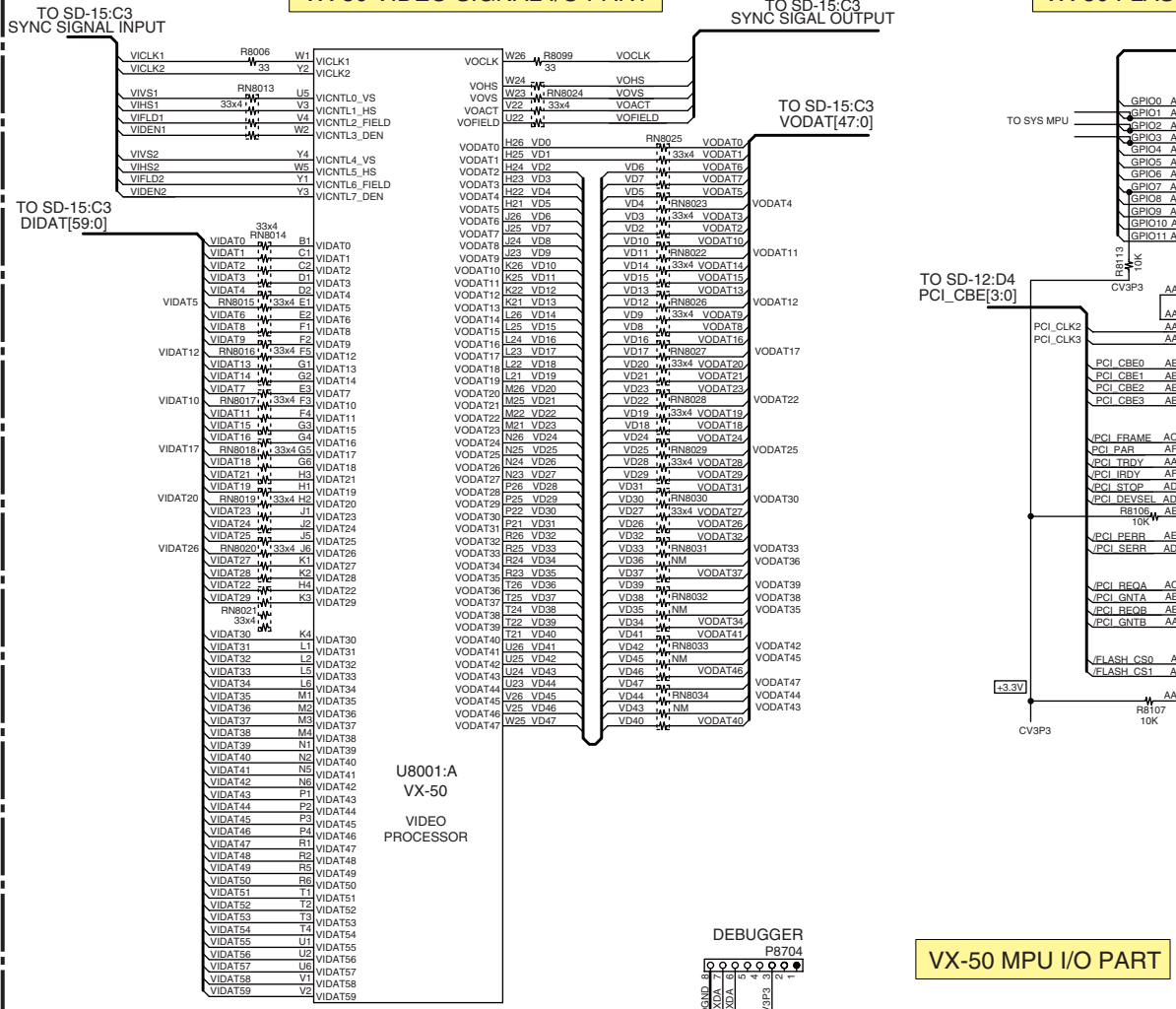
D

SCHEMATIC DIAGRAMS-11 (SD-11) HDMI SECTION-1

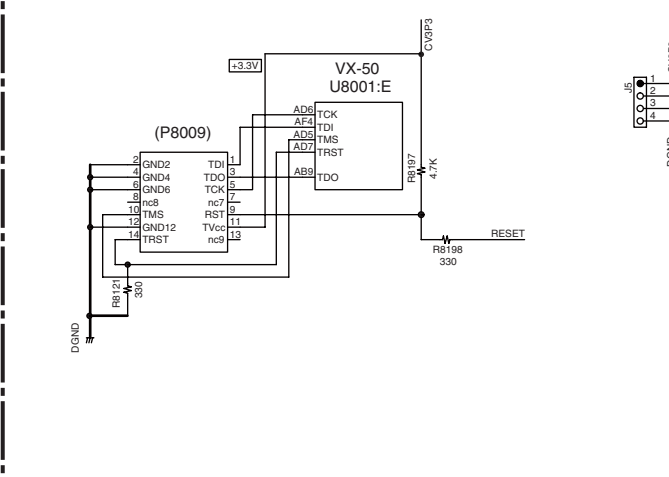
NAHDM-9114(1/5) U26 HDMI PC BOARD

VX-50 VIDEO SIGNAL I/O PART

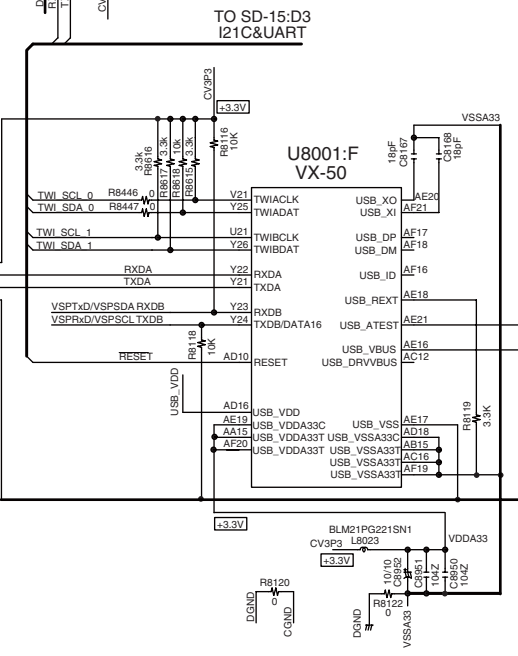
VX-50 FLAS



VX-50 JTAG PART



VX-50 MPU I/O PART



1

2

3

4

5

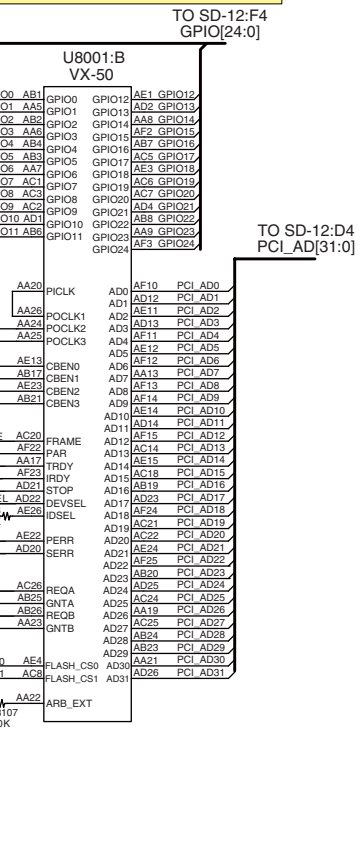
E

F

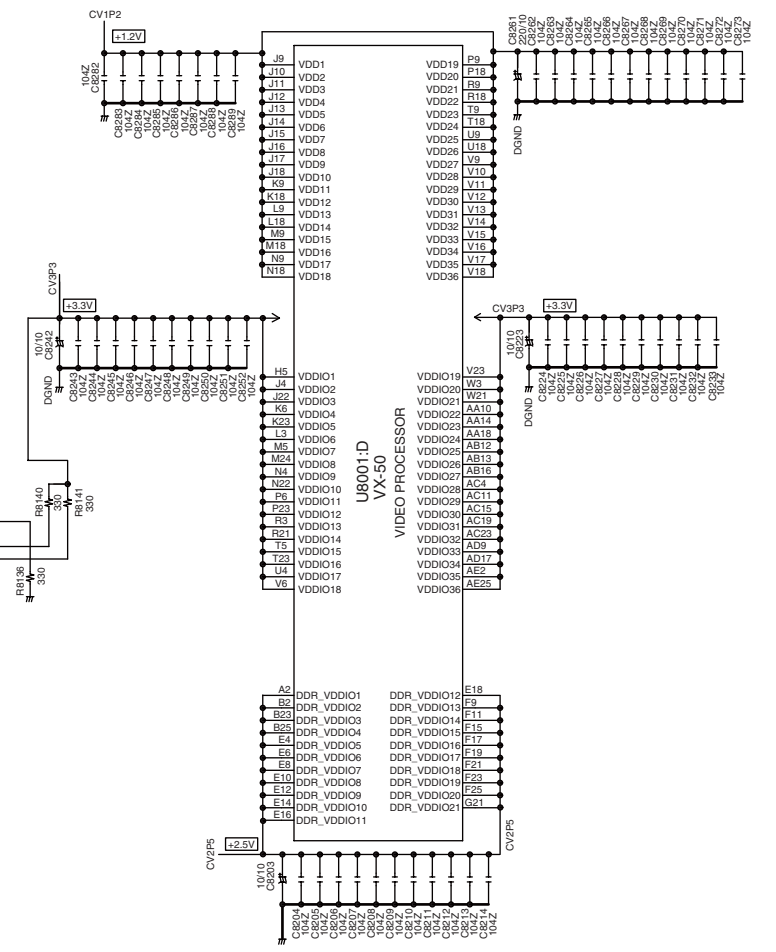
G

H

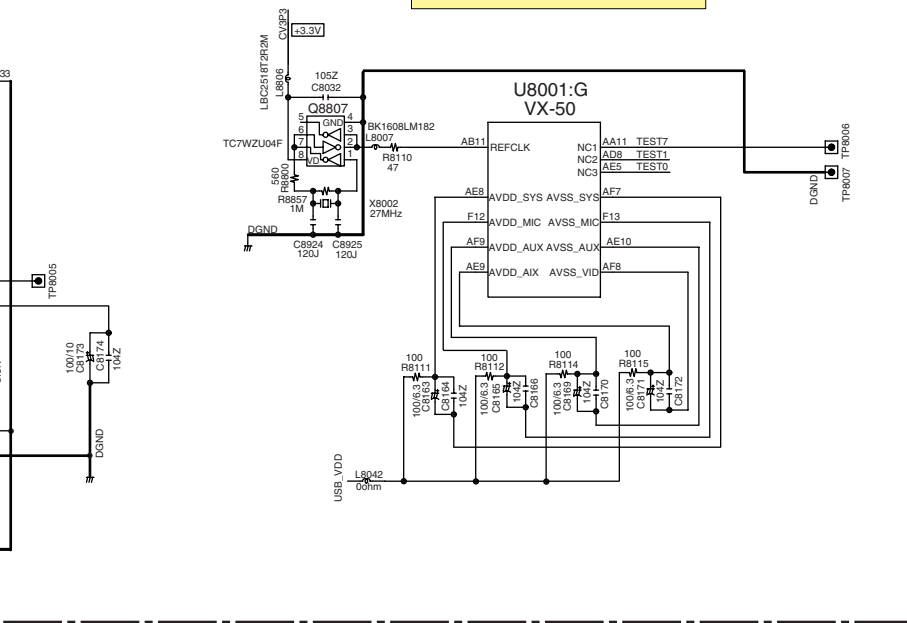
CASH MEMORY I/O PART



VX-50 POWER SUPPLY & GROUND PART



VX-50 OSC & PLL PART



<Note>
SD-x:XY is short for Schematic Diagram-x and each socket's location, X=A to H, Y=1 to 5.

- NOTE**
- THE COMPONENTS IDENTIFIED BY MARK Δ ARE CRITICAL FOR SAFETY. REPLACE ONLY WITH PART NUMBER SPECIFIED.
 - VOLTAGE (MEASURED WITH VOLTMETER) \square IS DC VOLTAGE.(NO INPUT SIGNAL).
 - ALL PNP TRANSISTORS ARE EQUIVALENT TO 2SA1015-GR UNLESS OTHERWISE NOTED.
 - ALL NPN TRANSISTORS ARE EQUIVALENT TO 2SC1815-GR UNLESS OTHERWISE NOTED.
 - ALL DIODES ARE EQUIVALENT TO 1SS133 UNLESS OTHERWISE NOTED.
 - ELECTROLYTIC CAPACITORS (---) ARE IN uF/VV.
 - ALL CAPACITORS ARE IN pF/50VW UNLESS OTHERWISE NOTED.
EX) 030- 3pF, 330- 33pF, 331- 330pF, 333- 0.033uF
 - ALL RESISTORS ARE IN OHMS 1/4WATTS UNLESS OTHERWISE NOTED.
 - THE THICK LINES ON PC BOARD ARE THE PRINTING SIDE OF THE PARTS.
EX) \square PRINTING SIDE
 - CIRCUIT IS SUBJECT TO CHANGE FOR IMPROVEMENT.

A

B

C

D

SCHEMATIC DIAGRAMS-12 (SD-12) HDMI SECTION-2

NAHDM-9114(2/5) U26 HDMI PC BOARD

MAD[13:0]

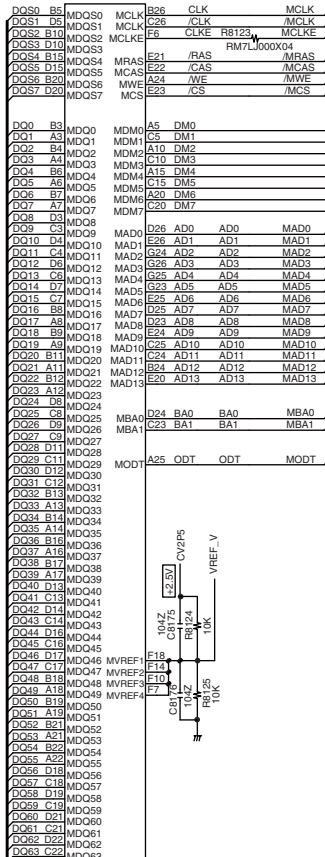
1

2

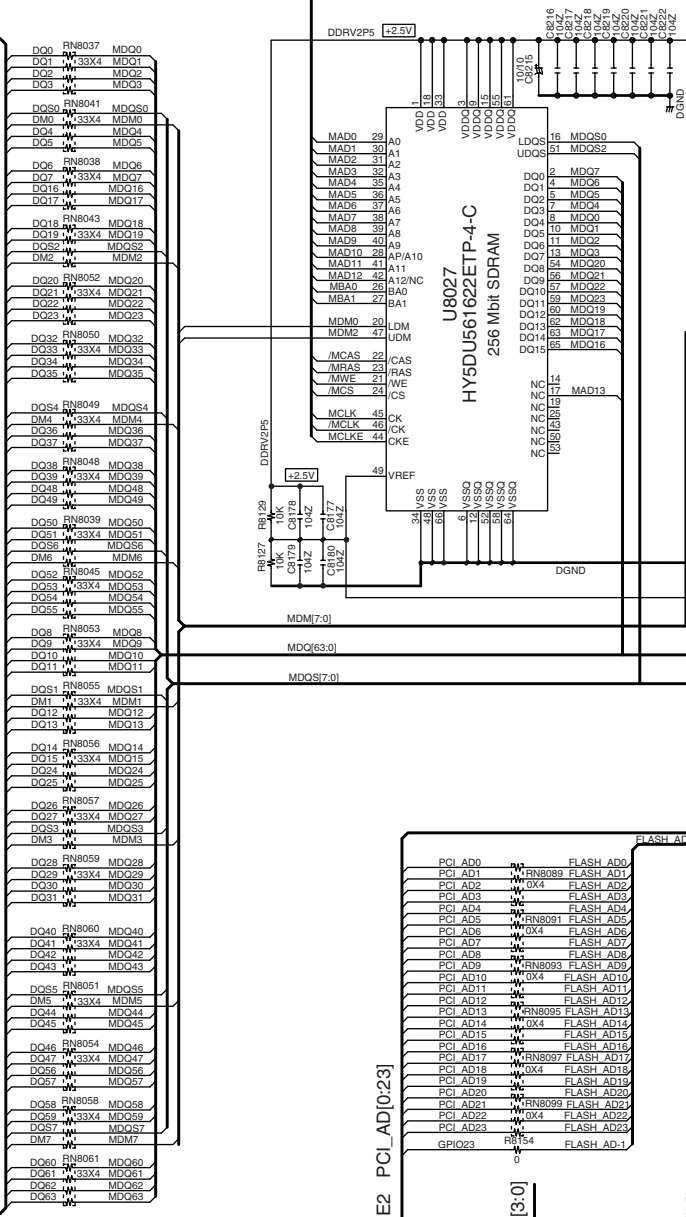
3

4

5



U8001
VX-50
VIDEO PROCESSOR



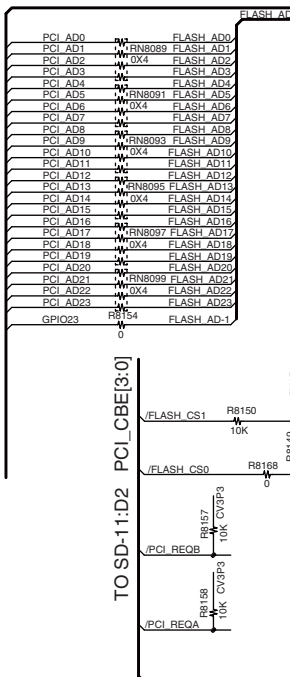
TO SD-11:E2 PCI_AD[0:23]

TO SD-11:D2 PCI_LCBE[3:0]

<Note>
SD-x:XY is short for Schematic Diagram-x and each socket's location, X=A to H, Y=1 to 5.

NOTE

- THE COMPONENTS IDENTIFIED BY MARK Δ ARE CRITICAL FOR SAFETY. REPLACE ONLY WITH PART NUMBER SPECIFIED.
- VOLTAGE (MEASURED WITH VOLTMETER) \square IS DC VOLTAGE.(NO INPUT SIGNAL).
- ALL PNP TRANSISTORS ARE EQUIVALENT TO 2SA1015-GR UNLESS OTHERWISE NOTED.
- ALL NPN TRANSISTORS ARE EQUIVALENT TO 2SC1815-GR UNLESS OTHERWISE NOTED.
- ALL DIODES ARE EQUIVALENT TO 1SS133 UNLESS OTHERWISE NOTED.
- ELECTROLYTIC CAPACITORS (---) ARE IN uF/WV.
- ALL CAPACITORS ARE IN pF/50VWV UNLESS OTHERWISE NOTED.
EX) 030- 3pF, 330- 33pF, 331- 330pF, 333- 0.033uF
- ALL RESISTORS ARE IN OHMS 1/4WATTS UNLESS OTHERWISE NOTED.
- THE THICK LINES ON PC BOARD ARE THE PRINTING SIDE OF THE PARTS.
EX) \square PRINTING SIDE
- CIRCUIT IS SUBJECT TO CHANGE FOR IMPROVEMENT.



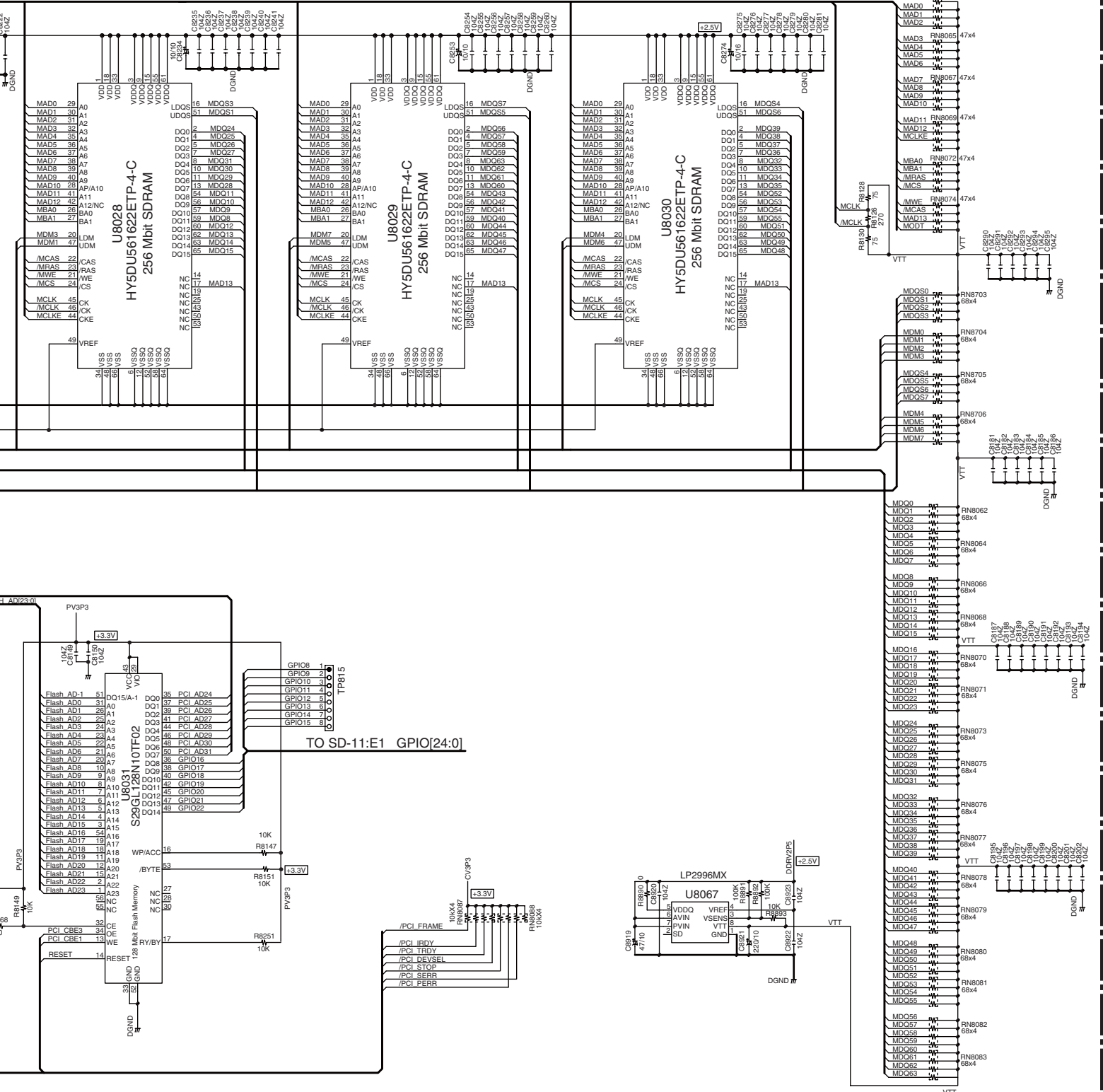
E

F

G

H

VX-50 MEMORY PART



A

B

C

D

SCHEMATIC DIAGRAMS-13 (SD-13)

HDMI SECTION-3

NAHDM-9114(3/5) U26 HDMI PC BOARD

1

2

3

4

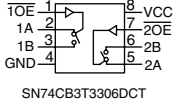
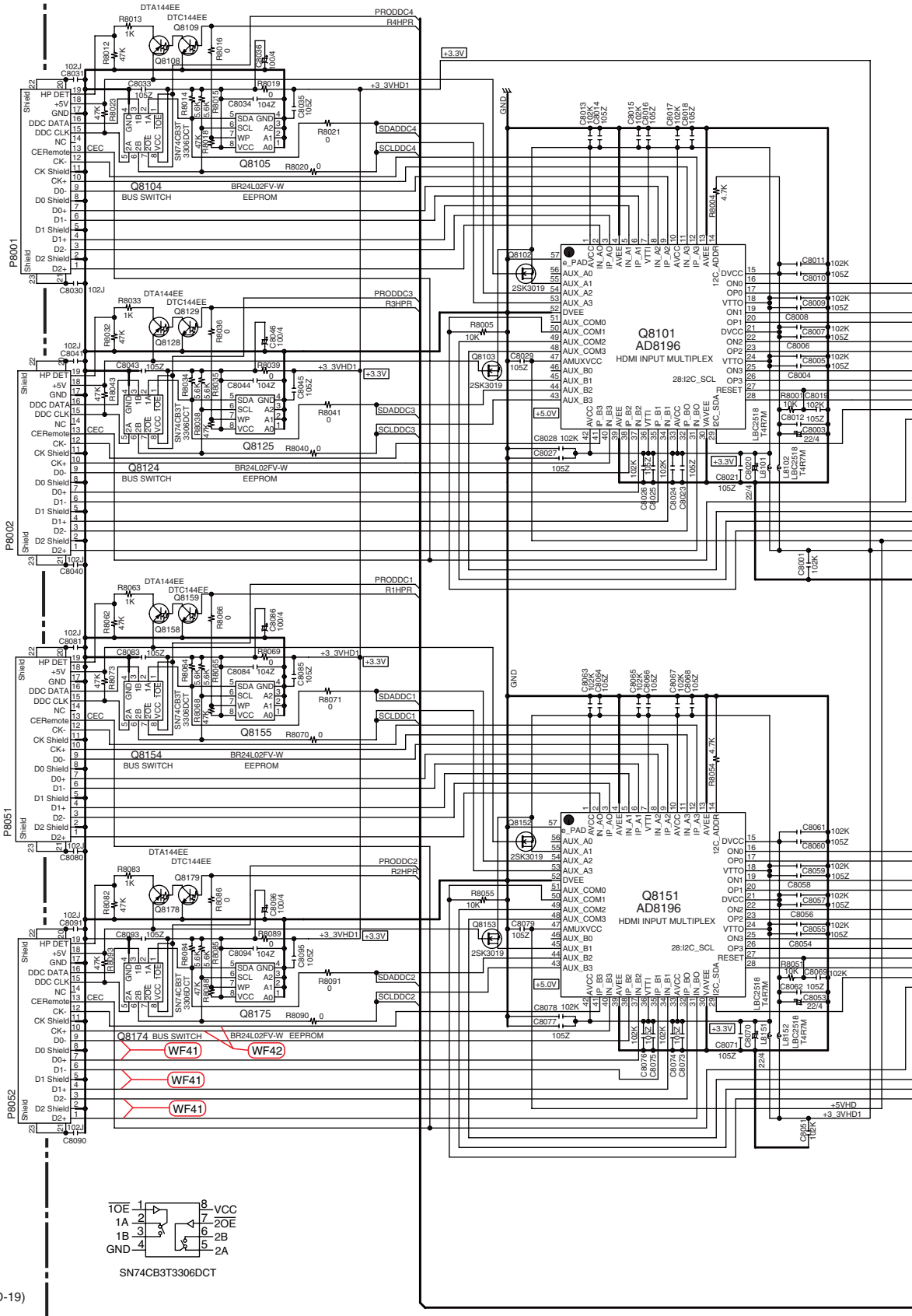
5

HDMI IN 4

HDMI IN 3

HDMI IN 2

HDMI IN 1

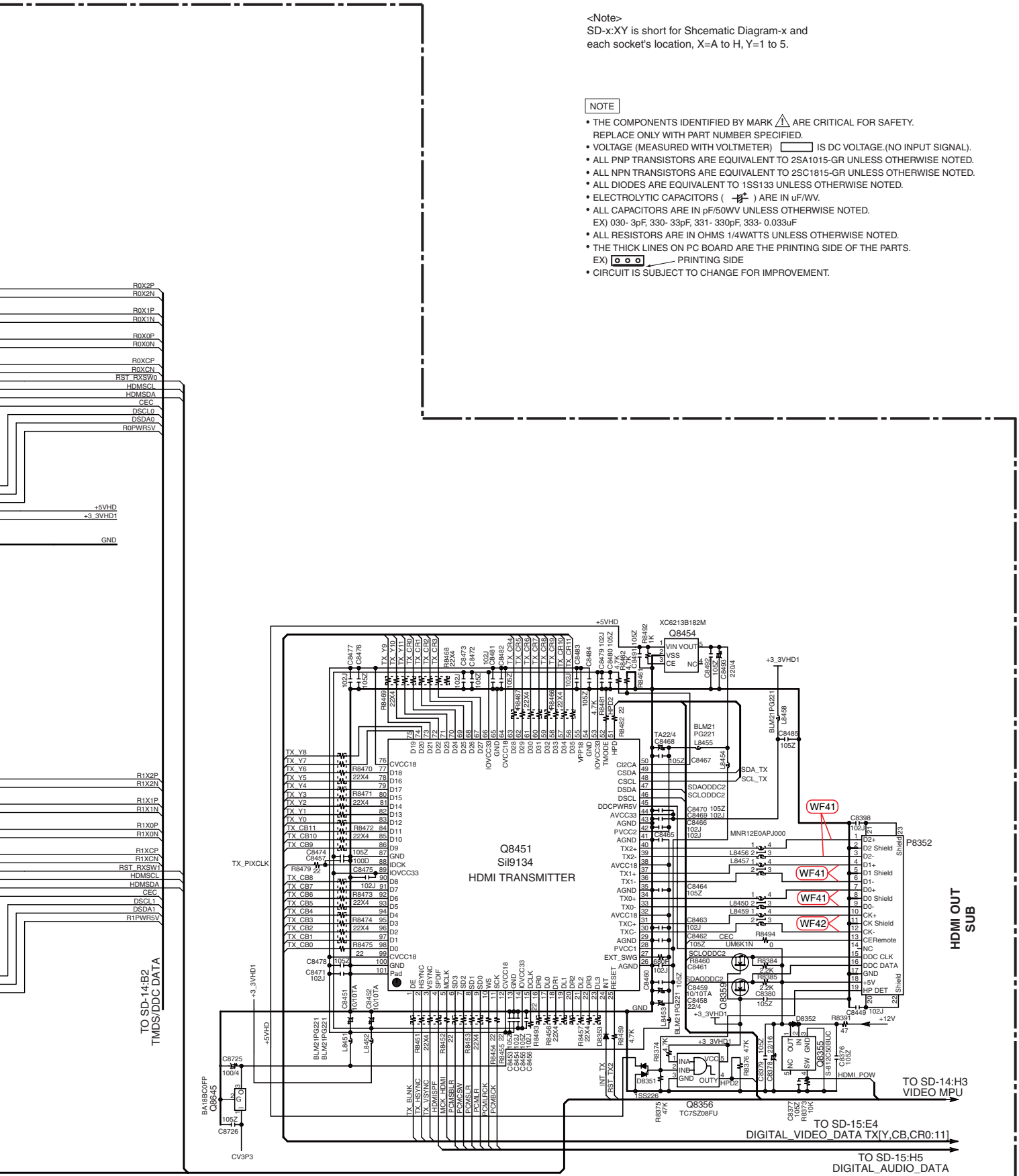


<Note>
 Refer to SCHEMATIC DIAGRAM-19 (SD-19)
 for HDMI signal waveforms.

<Note>
 SD-x:XY is short for Schematic Diagram-x and each socket's location, X=A to H, Y=1 to 5.

NOTE

- THE COMPONENTS IDENTIFIED BY MARK \triangle ARE CRITICAL FOR SAFETY. REPLACE ONLY WITH PART NUMBER SPECIFIED.
- VOLTAGE (MEASURED WITH VOLTMETER) \square IS DC VOLTAGE.(NO INPUT SIGNAL).
- ALL PNP TRANSISTORS ARE EQUIVALENT TO 2SA1015-GR UNLESS OTHERWISE NOTED.
- ALL NPN TRANSISTORS ARE EQUIVALENT TO 2SC1815-GR UNLESS OTHERWISE NOTED.
- ALL DIODES ARE EQUIVALENT TO 1SS133 UNLESS OTHERWISE NOTED.
- ELECTROLYTIC CAPACITORS (---) ARE IN $\mu\text{F/WV}$.
- ALL CAPACITORS ARE IN pF/50WV UNLESS OTHERWISE NOTED.
 EX) 030- 3pF, 330- 33pF, 331- 330pF, 333- 0.033uF
- ALL RESISTORS ARE IN OHMS 1/4WATTS UNLESS OTHERWISE NOTED.
- THE THICK LINES ON PC BOARD ARE THE PRINTING SIDE OF THE PARTS.
- EX) \square PRINTING SIDE
- CIRCUIT IS SUBJECT TO CHANGE FOR IMPROVEMENT.



TO SD-14:B2
 TMDS/DDC DATA

HDMI OUT
 SUB

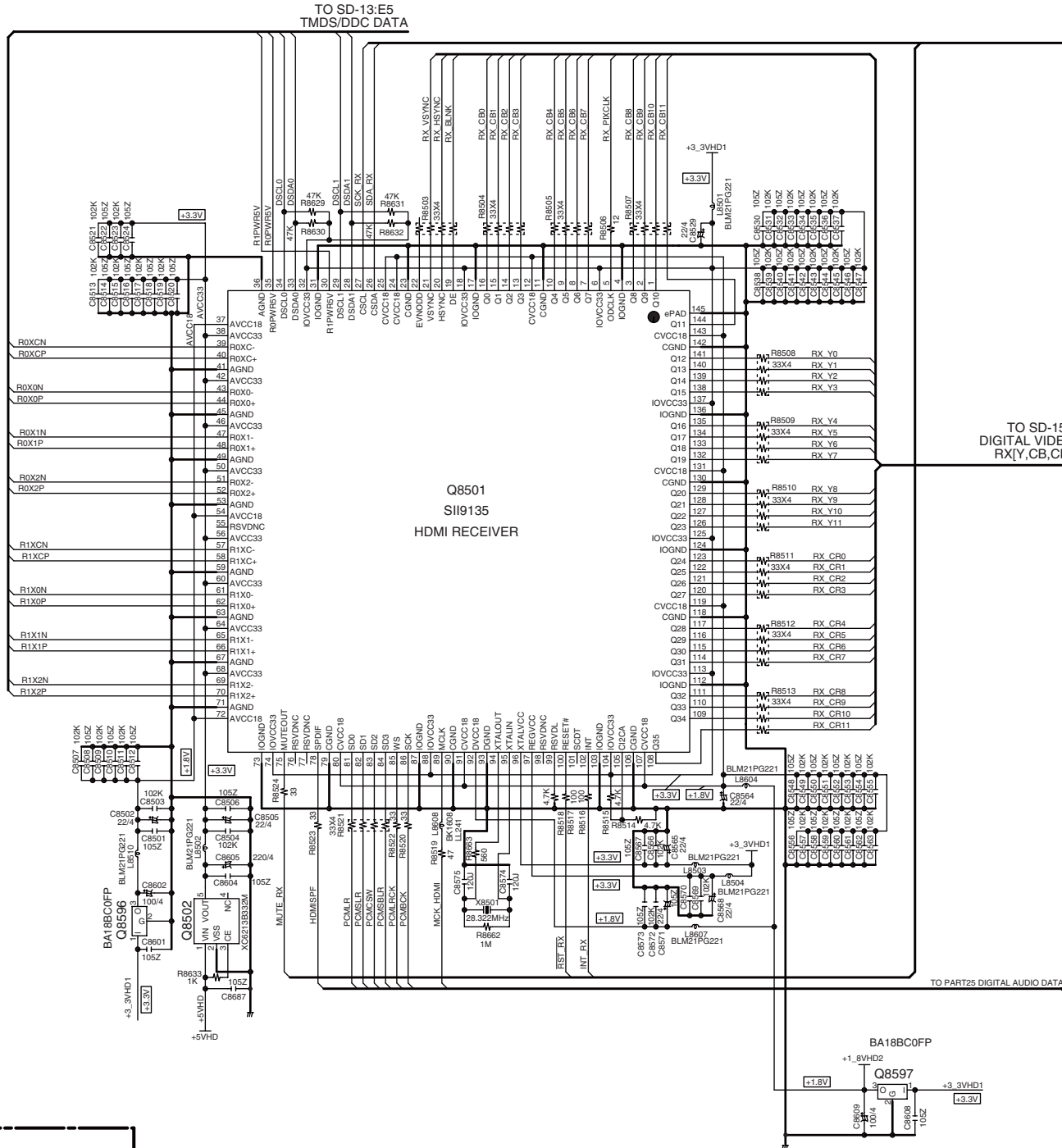
TO SD-15:E4
 DIGITAL_VIDEO_DATA TX[Y,CB,C0:11]

TO SD-15:H5
 DIGITAL_AUDIO_DATA

SCHEMATIC DIAGRAMS-14 (SD-14)
HDMI SECTION-4

NAHDM-9114(4/5)

U26 HDMI PC BOARD



1

2

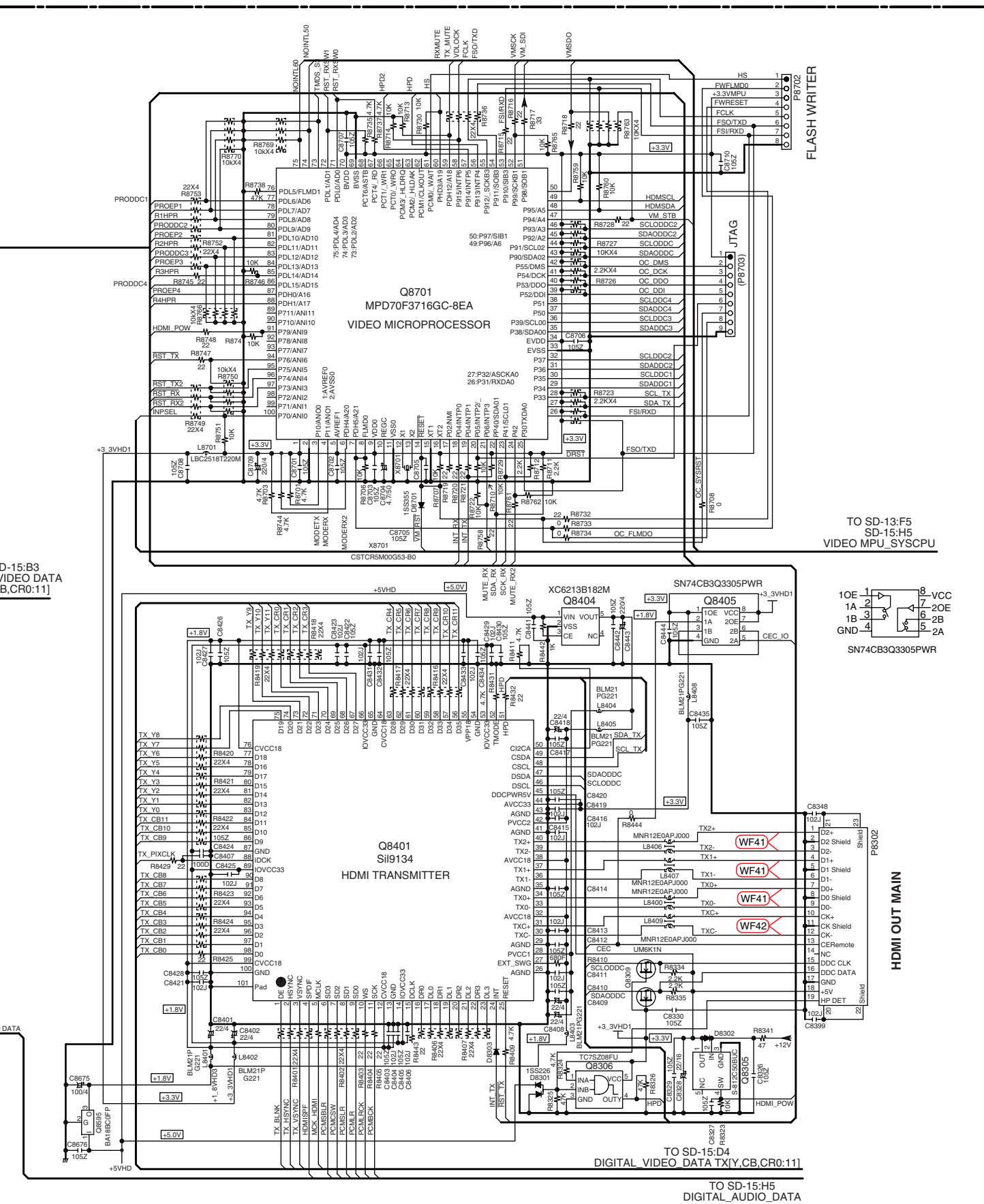
3

4

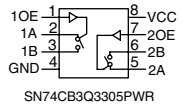
5

<Note>
Refer to SCHEMATIC DIAGRAM-19 (SD-19)
for HDMI signal waveforms.

<Note>
SD-x:XY is short for Schematic Diagram-x and each socket's location, X=A to H, Y=1 to 5.



TO SD-13:F5
SD-15:H5
VIDEO MPU_SYSCPU



HDMI OUT MAIN

TO SD-15:D4
DIGITAL_VIDEO_DATA TXIY.CB.CR0:11
TO SD-15:H5
DIGITAL_AUDIO_DATA

D-15:B3
VIDEO DATA
B.CR0:11

DATA

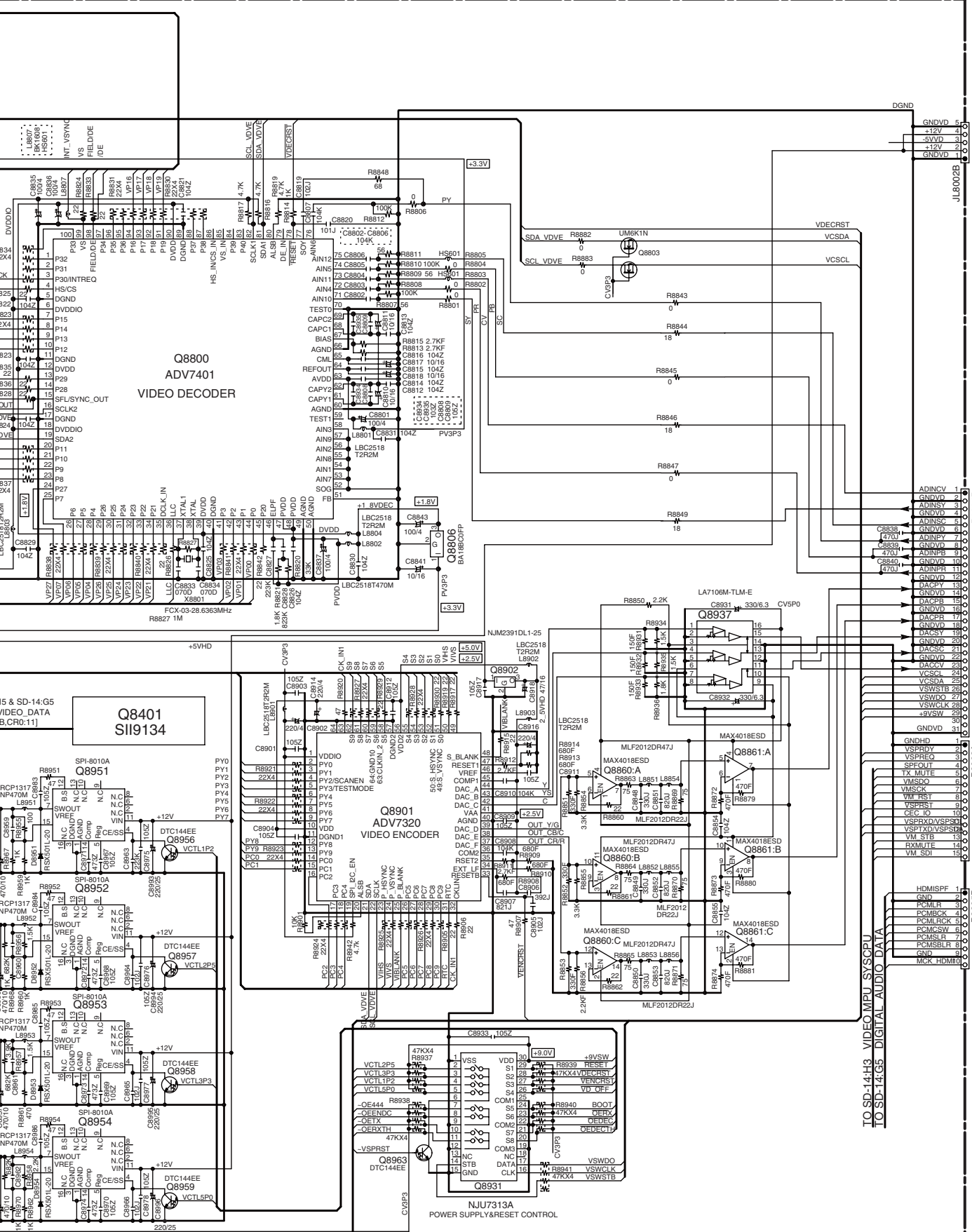
E

F

G

H

<Note>
SD-x:XY is short for Schematic Diagram-x and each socket's location, X=A to H, Y=1 to 5.



TO NAVD-9052
SD-3:H4

TO NAVD-9052
SD-3:F2

TO NAAR-9075
SD-4:G1

TO NADSP-9072
SD-6:B1

TO SD-14:H3 VIDEO MPLL SYS CPU
TO SD-14:G5 DIGITAL AUDIO DATA

POWER SUPPLY & RESET CONTROL

SCHEMATIC DIAGRAMS-16(SD-16)
HD RADIO SECTION
 (DD Type Only)

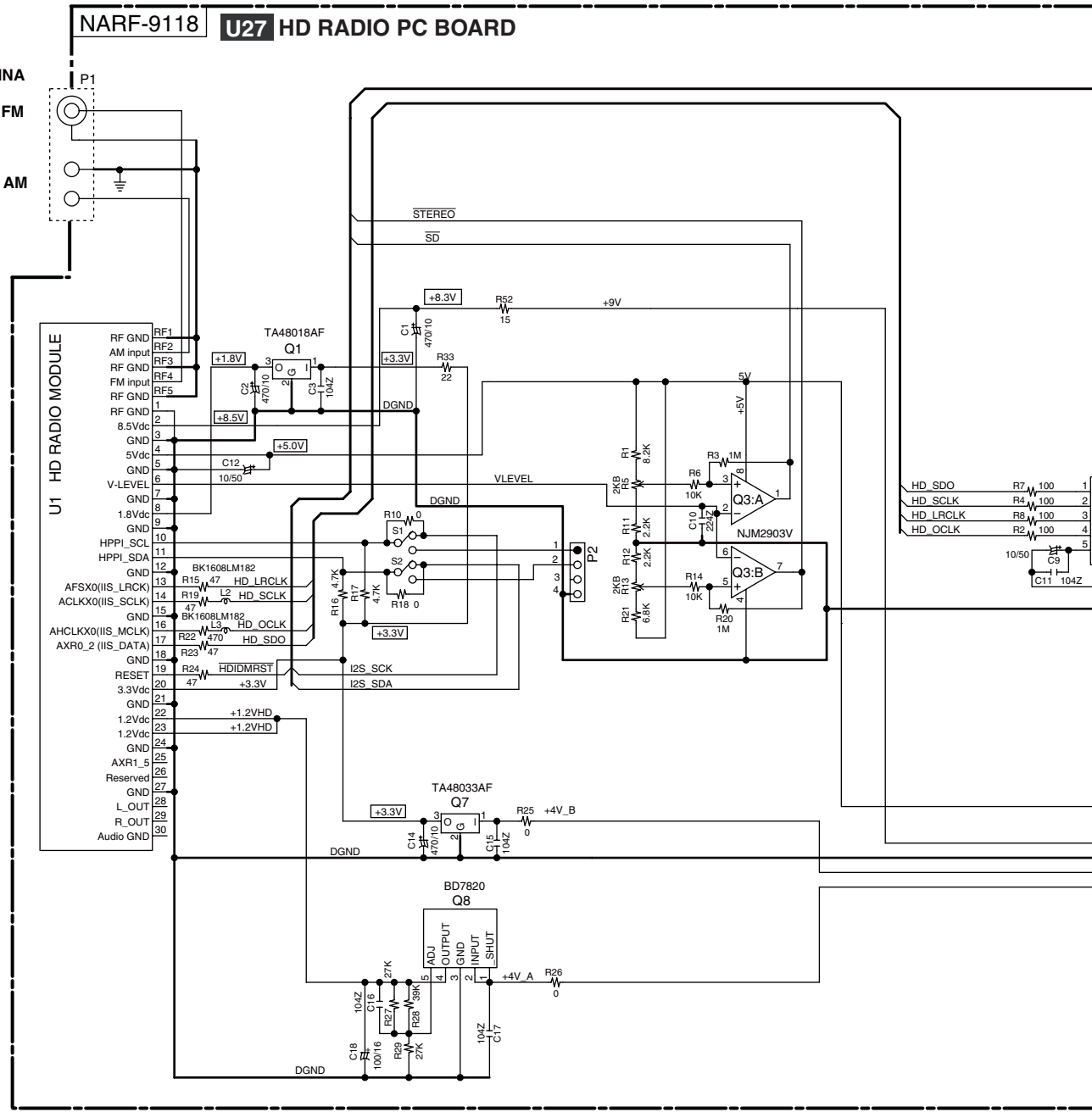
1

2

3

4

5



<Note>
 SD-x:XY is short for Schematic Diagram-x and each socket's location, X=A to H, Y=1 to 5.

NOTE

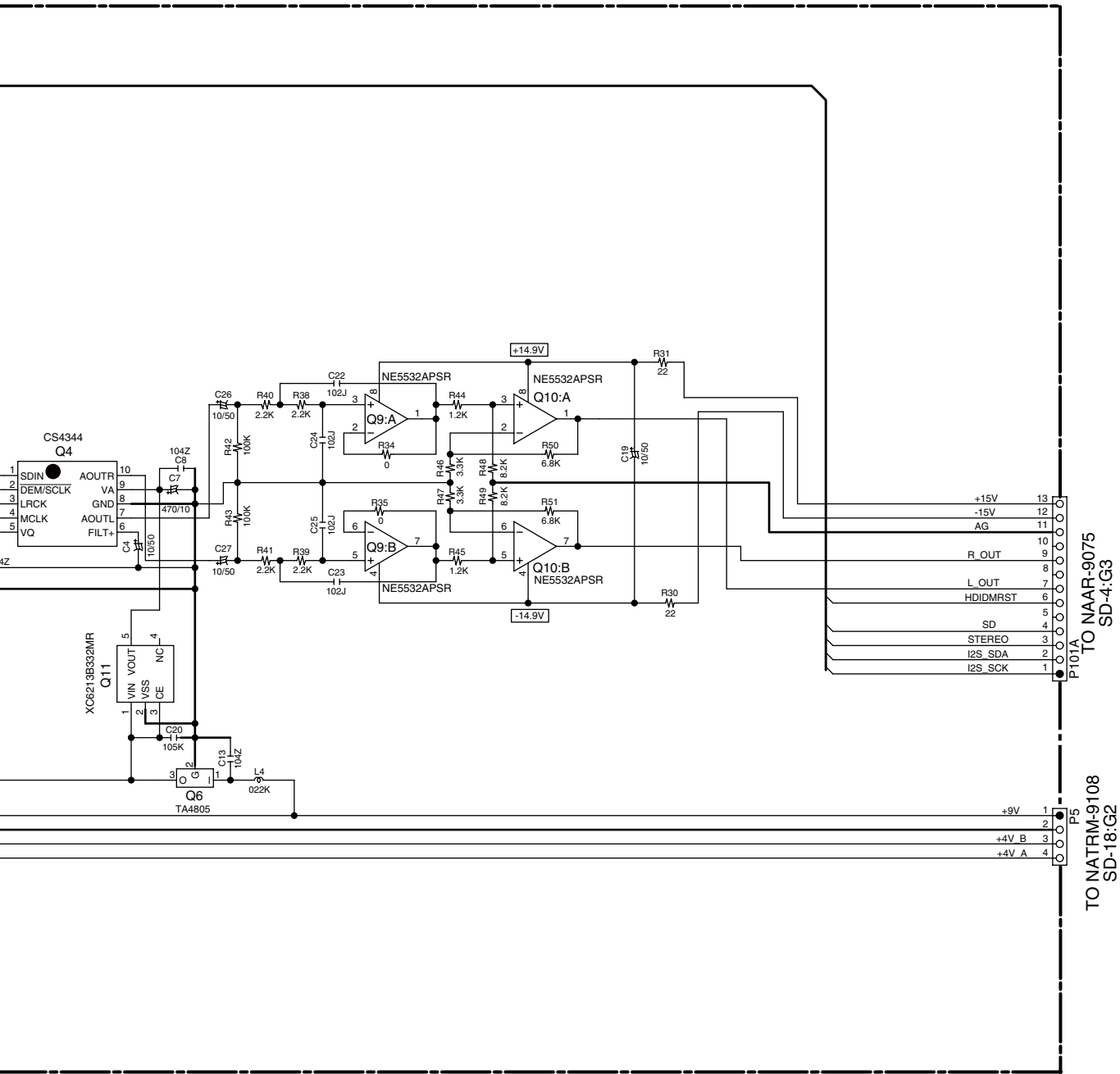
- THE COMPONENTS IDENTIFIED BY MARK ARE CRITICAL FOR SAFETY. REPLACE ONLY WITH PART NUMBER SPECIFIED.
- VOLTAGE (MEASURED WITH VOLTMETER) IS DC VOLTAGE. (NO INPUT SIGNAL).
- ALL PNP TRANSISTORS ARE EQUIVALENT TO 2SA1015-GR UNLESS OTHERWISE NOTED.
- ALL NPN TRANSISTORS ARE EQUIVALENT TO 2SC1815-GR UNLESS OTHERWISE NOTED.
- ALL DIODES ARE EQUIVALENT TO 1S1533 UNLESS OTHERWISE NOTED.
- ELECTROLYTIC CAPACITORS () ARE IN uF/WV.
- ALL CAPACITORS ARE IN pF/50WV UNLESS OTHERWISE NOTED.
 EX) 030- 3pF, 330- 33pF, 331- 330pF, 333- 0.033uF
- ALL RESISTORS ARE IN OHMS 1/4WATTS UNLESS OTHERWISE NOTED.
- THE THICK LINES ON PC BOARD ARE THE PRINTING SIDE OF THE PARTS.
 EX) PRINTING SIDE
- CIRCUIT IS SUBJECT TO CHANGE FOR IMPROVEMENT.

E

F

G

H



A

B

C

D

SCHEMATIC DIAGRAMS-17 (SD-17) E-CONTROL SECTION

1

2

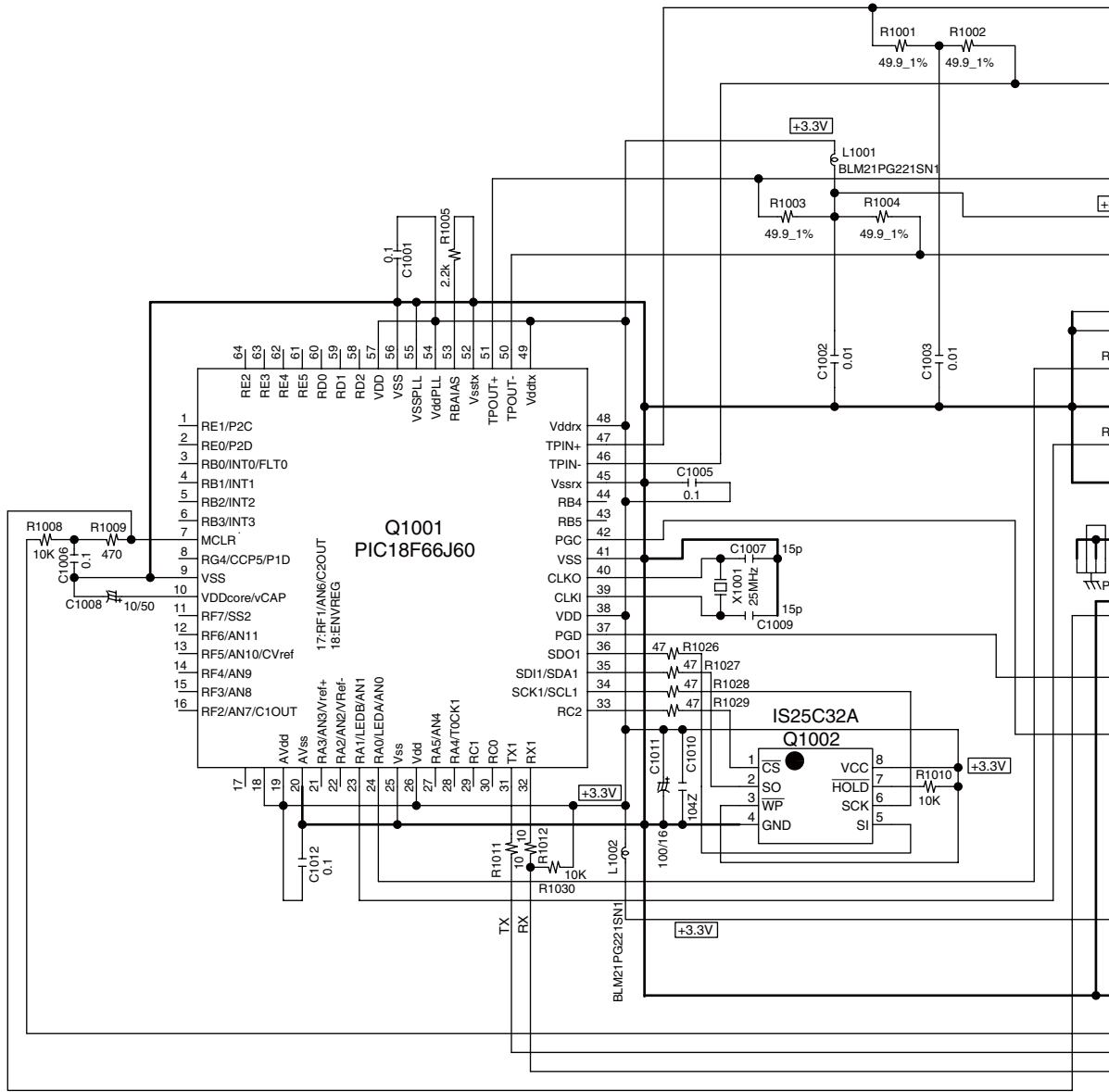
3

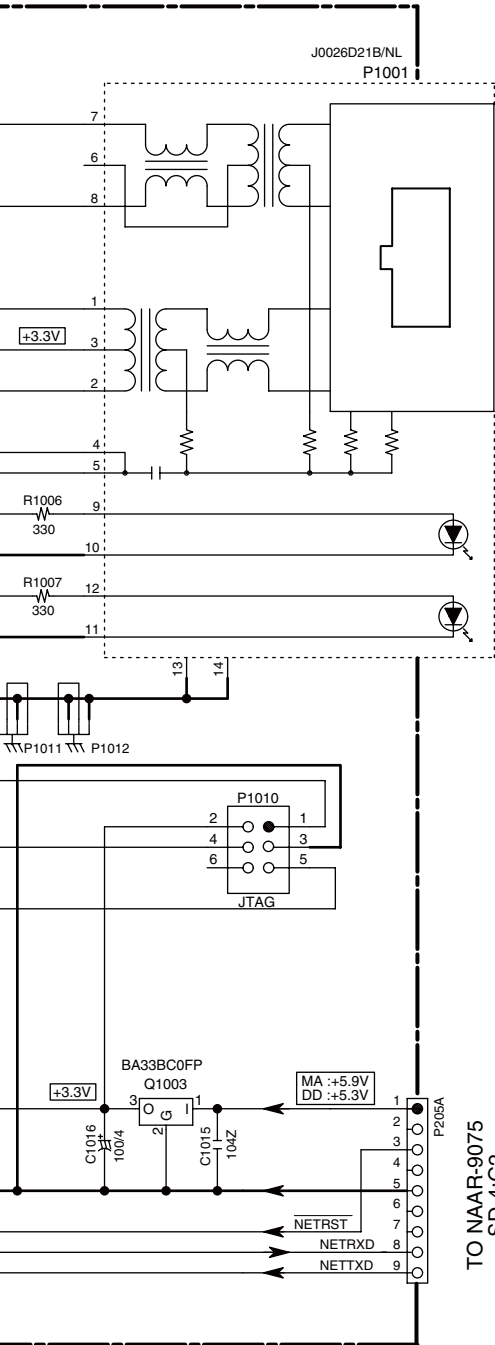
4

5

NALAN-9079

U14 E-CONTROL PC BOARD





**ETHERNET
(E-CONTROL)**

NOTE

- THE COMPONENTS IDENTIFIED BY MARK ARE CRITICAL FOR SAFETY. REPLACE ONLY WITH PART NUMBER SPECIFIED.
- VOLTAGE (MEASURED WITH VOLTMETER) IS DC VOLTAGE (NO INPUT SIGNAL).
- ALL PNP TRANSISTORS ARE EQUIVALENT TO 2SA1015-GR UNLESS OTHERWISE NOTED.
- ALL NPN TRANSISTORS ARE EQUIVALENT TO 2SC1815-GR UNLESS OTHERWISE NOTED.
- ALL DIODES ARE EQUIVALENT TO 1SS133 UNLESS OTHERWISE NOTED.
- ELECTROLYTIC CAPACITORS () ARE IN uF/WV.
- ALL CAPACITORS ARE IN pF/50WV UNLESS OTHERWISE NOTED.
EX) 030- 3pF, 330- 33pF, 331- 330pF, 333- 0.033uF
- ALL RESISTORS ARE IN OHMS 1/4WATTS UNLESS OTHERWISE NOTED.
- THE THICK LINES ON PC BOARD ARE THE PRINTING SIDE OF THE PARTS.
EX) PRINTING SIDE
- CIRCUIT IS SUBJECT TO CHANGE FOR IMPROVEMENT.

<Note>

SD-x:XY is short for Schematic Diagram-x and each socket's location, X=A to H, Y=1 to 5.

TO NAAR-9075
SD-4:G2

SCHEMATIC DIAGRAMS-18 (SD-18) BALANCE TERMINAL SECTION

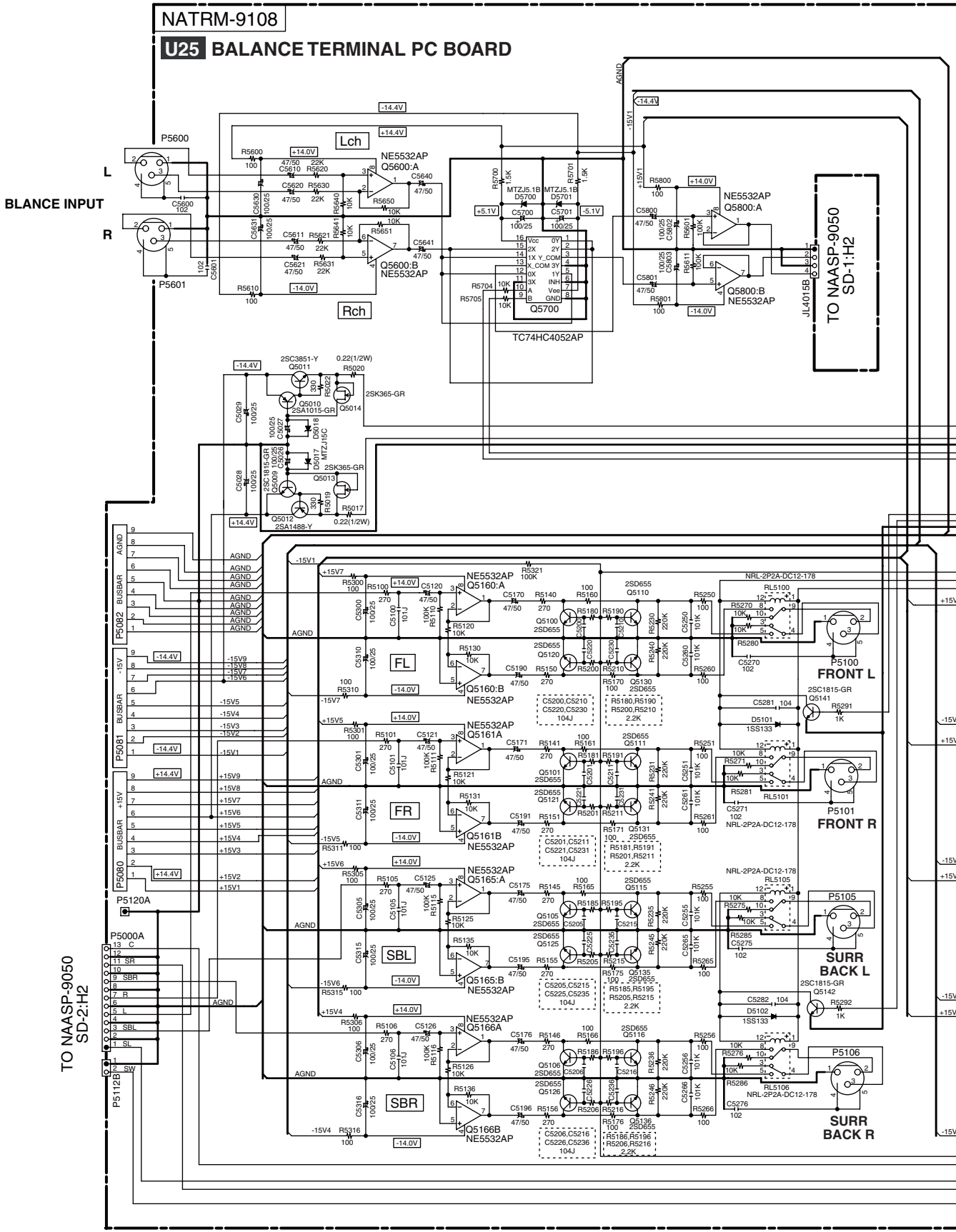
1

2

3

4

5



NATRM-9108

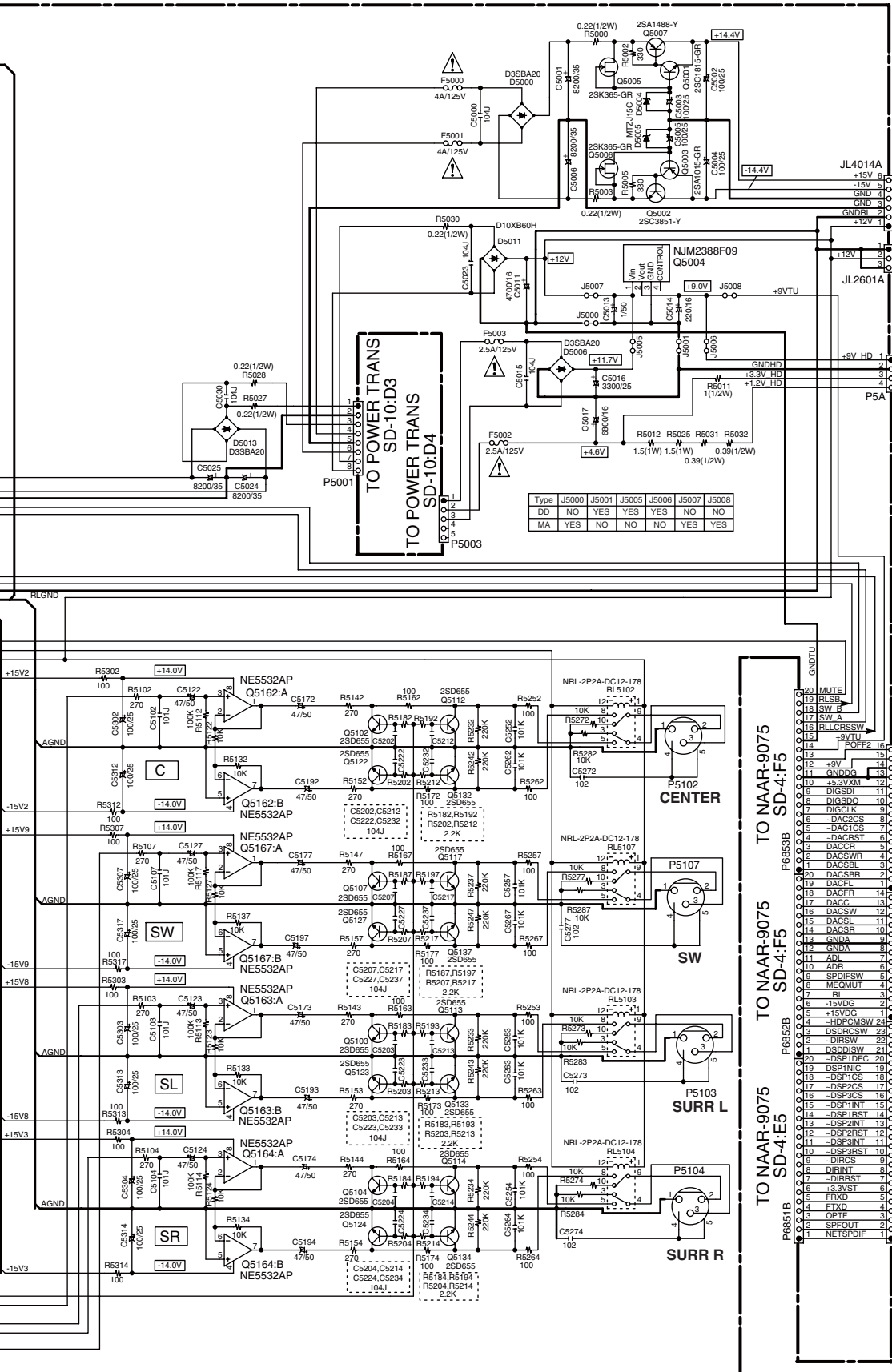
U25 BALANCE TERMINAL PC BOARD

BALANCE INPUT

TO NAASP-9050
SD-1:H2

TO NAASP-9050
SD-2:H2

<Note>
SD-x:XY is short for Schematic Diagram-x and each socket's location, X=A to H, Y=1 to 5.



TO NAASP-9050
SD-2:F5

TO NAVD-9052
SD-3:H3

TO NARF-9118
(HD-RADIO)
SD-16:H4

TO NAAR-9075
SD-4:F5

TO NAAR-9075
SD-4:F5

TO NAAR-9075
SD-4:E5

TO MADG-9074
SD-5:E5

TO MADG-9074
SD-5:E5

TO MADG-9074
SD-5:D5

P3101B

P3102B

P3103B

P5102

P5107

P5103

P5104

A

B

C

D

SCHEMATIC DIAGRAM-19(SD-19) WAVEFORM SECTION

Digital Audio Waveform Part

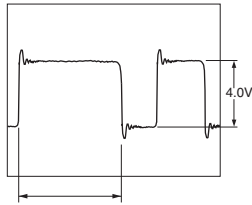
NOTE:

1. (WF01) is short for (Waveform01)
2. Refer to SD-5(SCHEMATIC DIAGRAM-5) for the location of each waveform on circuit.
3. SD-x:XY is short for Shcematic Diagram-x and each socket's location, X=A to H, Y=1 to 5.

LR CLOCK (SAI_LRCK, CX_LRCK)
Fs=48kHz : DVD, Clock width=20.8us
Fs=44.1kHz : CD, Clock width=22.7us

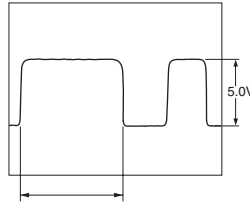
BIT CLOCK (SAI_SLCK, CX_SLCK)
64Fs=3072kHz : DVD, Clock width=325ns
64Fs=2822.4kHz : CD, Clock width=354ns

(WF01) OPT1 (SD-5:B2)



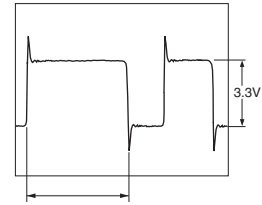
Duty varies according to audio data

(WF02) COAX1 (SD-5:C2)



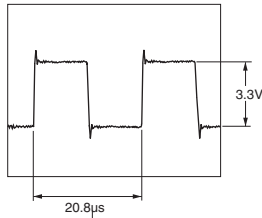
Duty always varies according to audio data

(WF03) SAI_SDOUT (SD-5:B4)

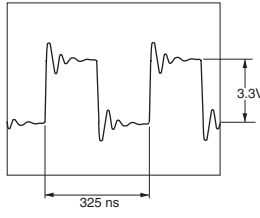


Duty varies according to audio data

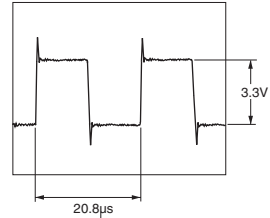
(WF04) SAI_LRCK (SD-5:B4)



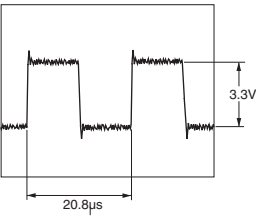
(WF05) SAI_SLCK (SD-5:C4)



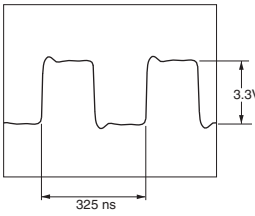
(WF06) CX_SDIN1 (SD-5:D4)



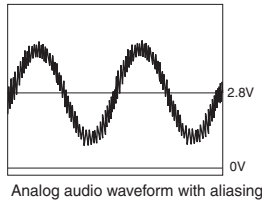
(WF07) CX_LRCK (SD-5:D4)



(WF08) CX_SCLK (SD-5:D4)

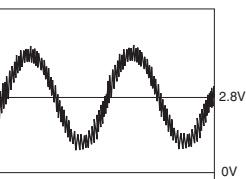


(WF09) DAC_OUT- (SD-5:E4)



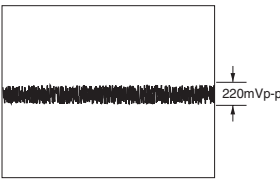
Analog audio waveform with aliasing noise

(WF10) AUDIO_FL (SD-5:G3)



Analog audio waveform with aliasing noise

(WF10) AUDIO_FL (SD-5:G3)



Aliasing noise in no audio data

1

2

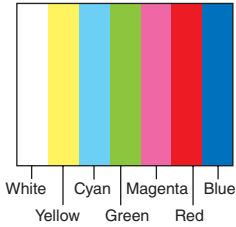
3

4

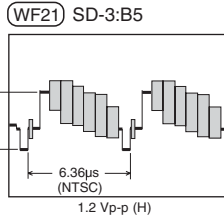
5

Video Waveform Part

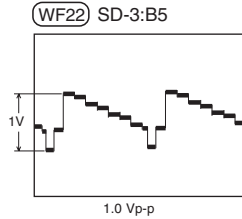
Video source color and pattern



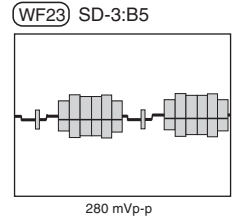
Composite waveform



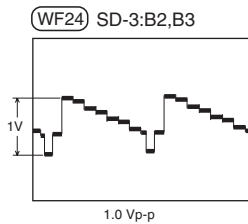
S-Video Y waveform



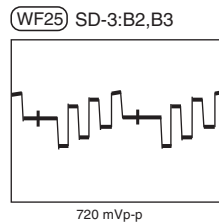
S-Video C waveform



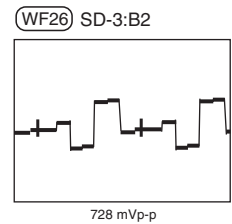
Component Y waveform



Component PB waveform



Component PR waveform



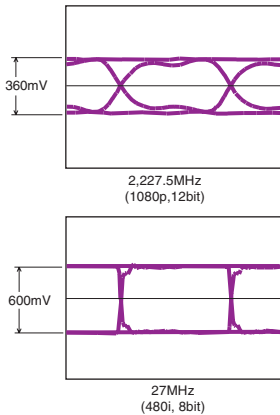
NOTE:

- (WF21) is short for (Waveform21)
- Refer to SD-3(SCHEMATIC DIAGRAM-3) for the location of each waveform on circuit.
- SD-x:XY is short for Schematic Diagram-x and each socket's location, X=A to H, Y=1 to 5.
- In the case that video outputs are not connected to video devices, video signal output levels are doubled.

HDMI Waveform Part

HDMI D0,D1,D2 waveform

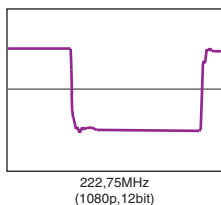
(WF41) SD-13:B5,H4 / SD-14:4G



D0,D1,D2 Eye-pattern waveform, frequency and level vary according to video resolution, aspect and profile. Waveforms above are examples.

HDMI CK waveform

(WF42) SD-13:B5,H4 / SD-14:4G

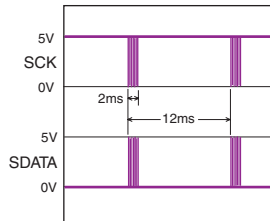


CK waveform, frequency and level differ according to video resolution, aspect and profile. D0,D1,D2 are just CK x10.

FL Driver IC Control Waveform Part

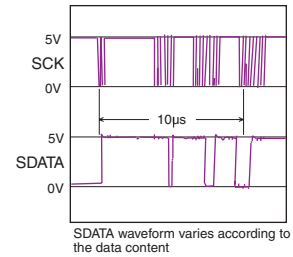
SCK/SDATA waveform

(WF61) SD-9:D3, F3



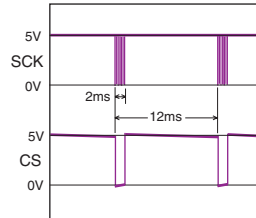
SCK/SDATA waveform

(WF61) SD-9:D3, F3



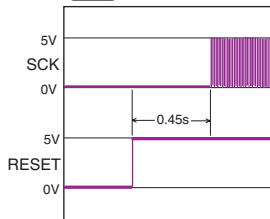
SCK/CS waveform

(WF62) SD-9:D3, F3



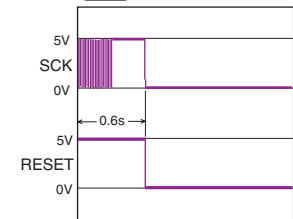
SCK/RESET waveform

(WF63) SD-9:D3, F3

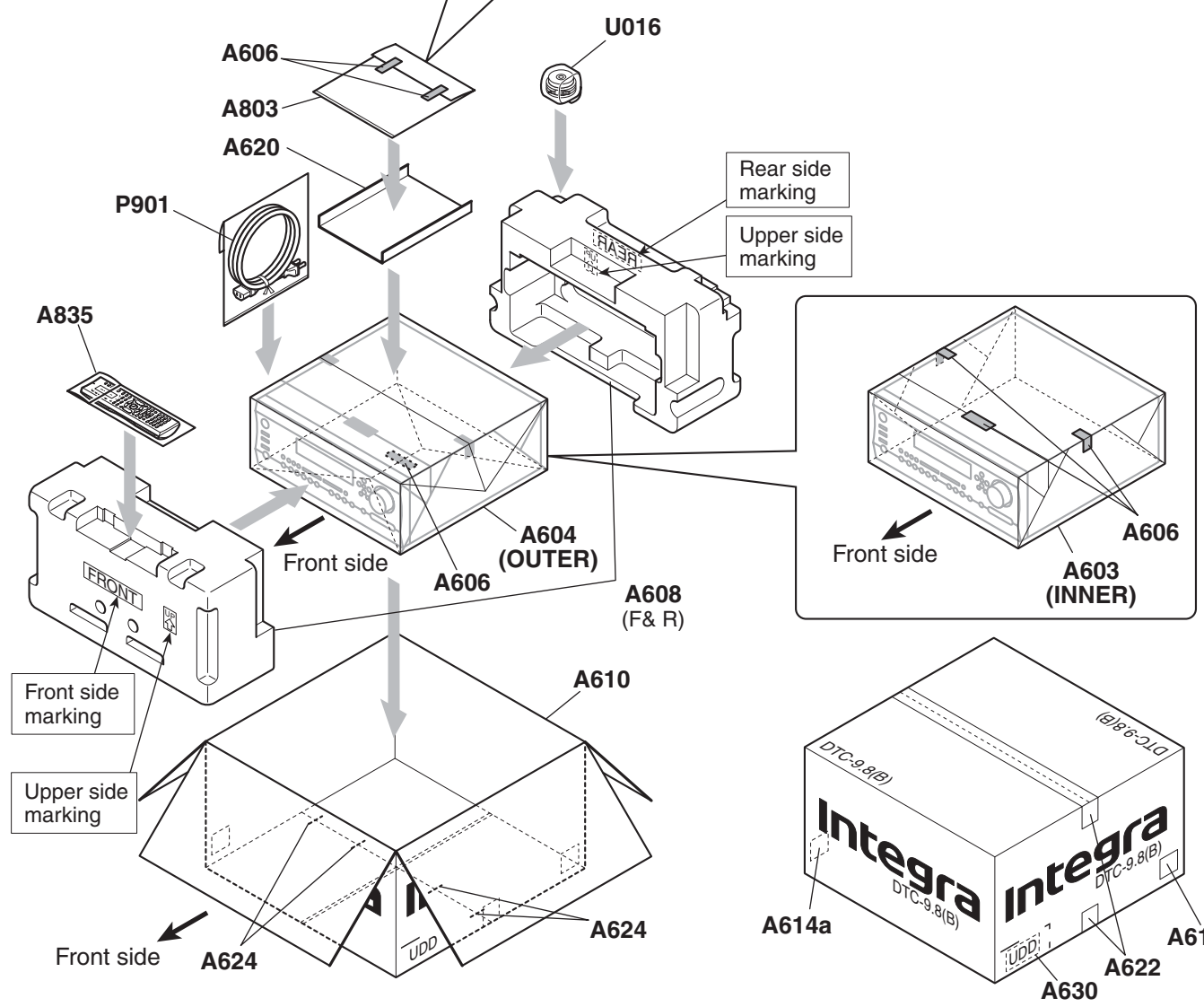
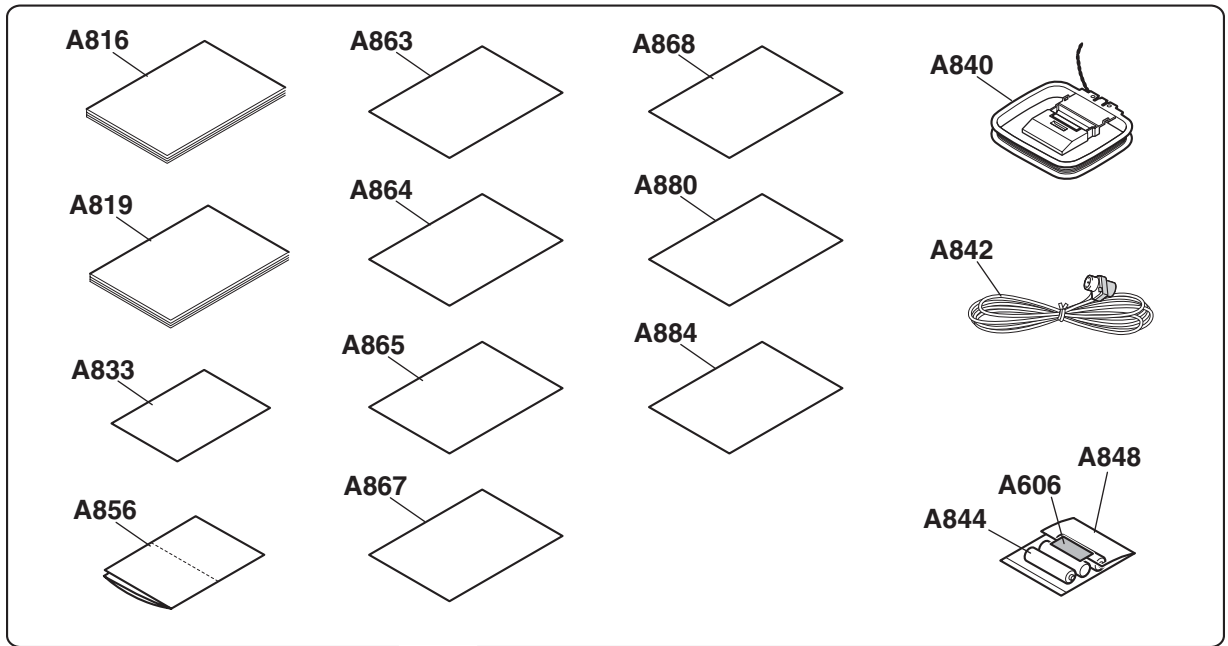


SCK/RESET waveform

(WF63) SD-9:D3, F3



PACKING PROCEDURE



A

B

C

D

PRINTED CIRCUIT BOARD VIEWS-1

U01 AMPLIFIER PC BOARD (NAASP-9050)

Side-A

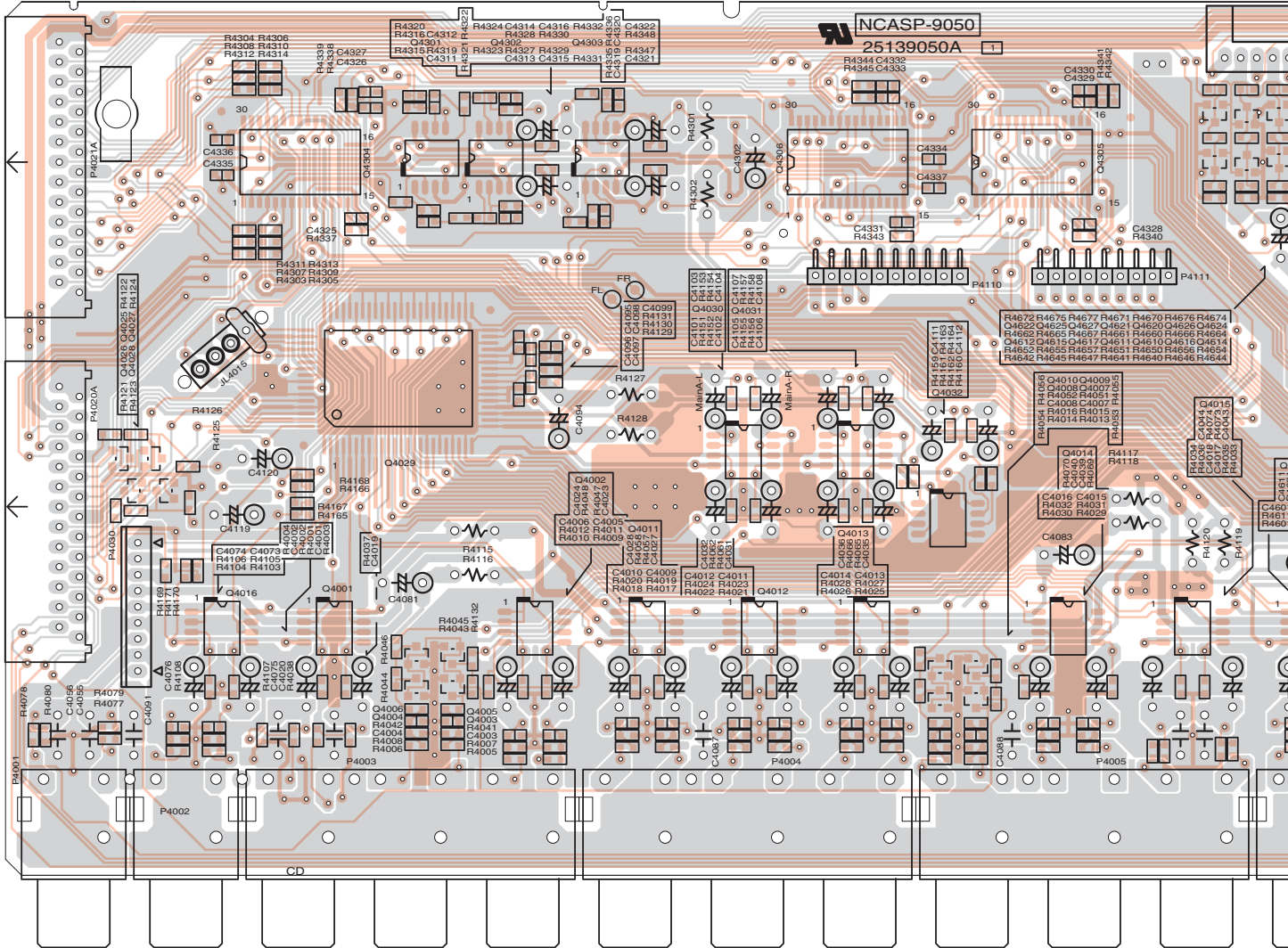
1

2

3

4

5

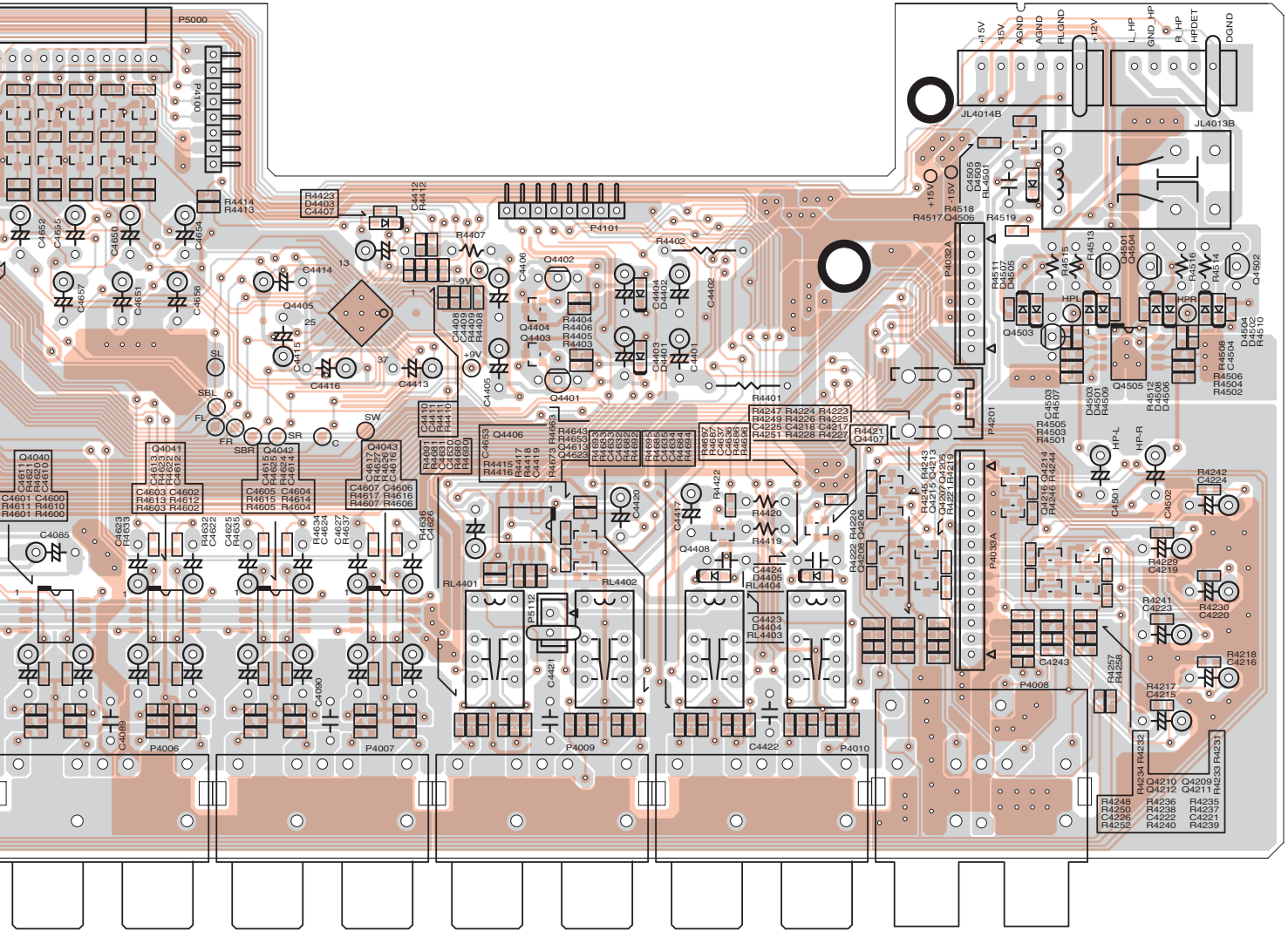


E

F

G

H



PRINTED CIRCUIT BOARD VIEWS-2

U03 VIDEO PC BOARD (NAVD-9052)

Side-A

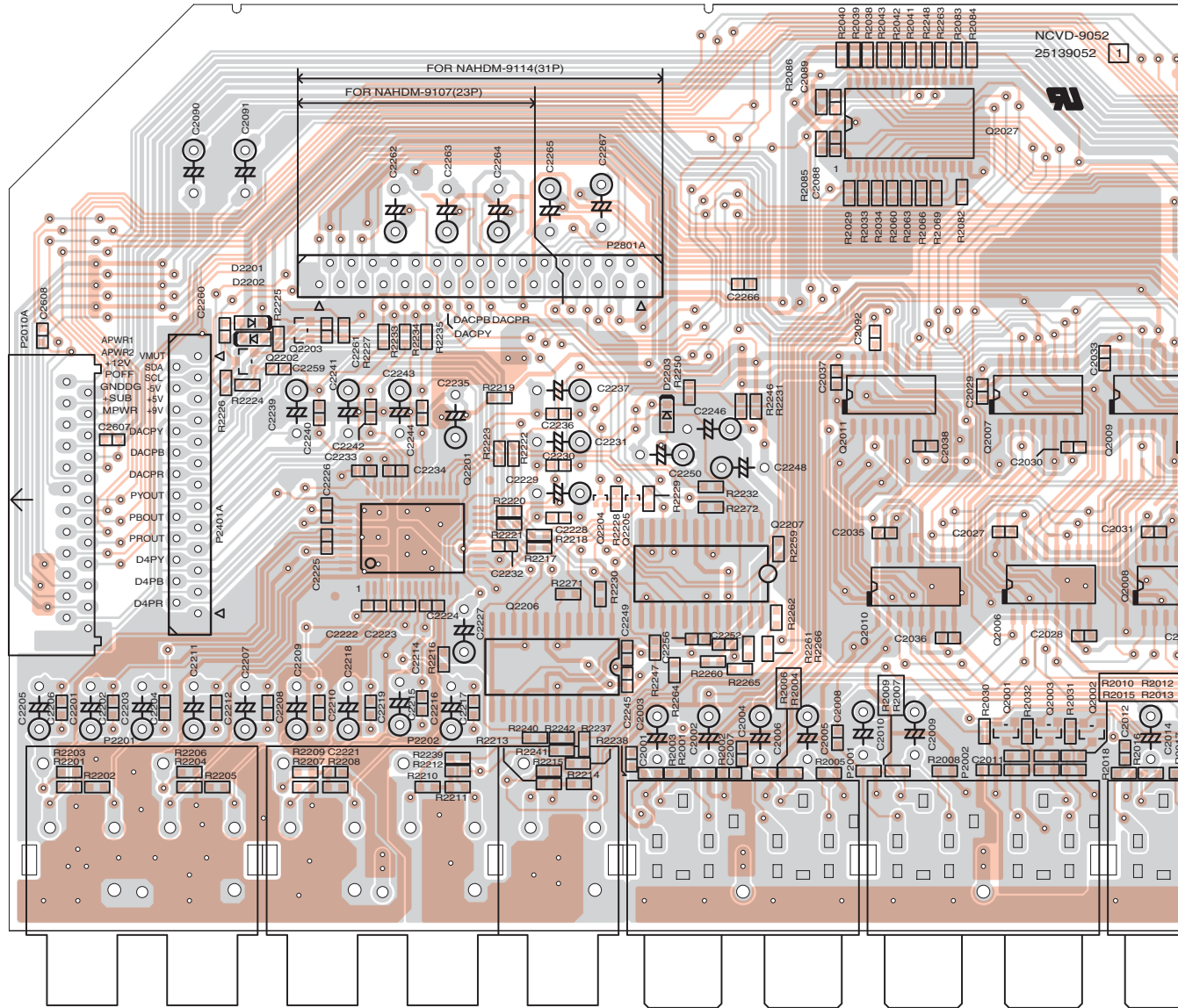
1

2

3

4

5

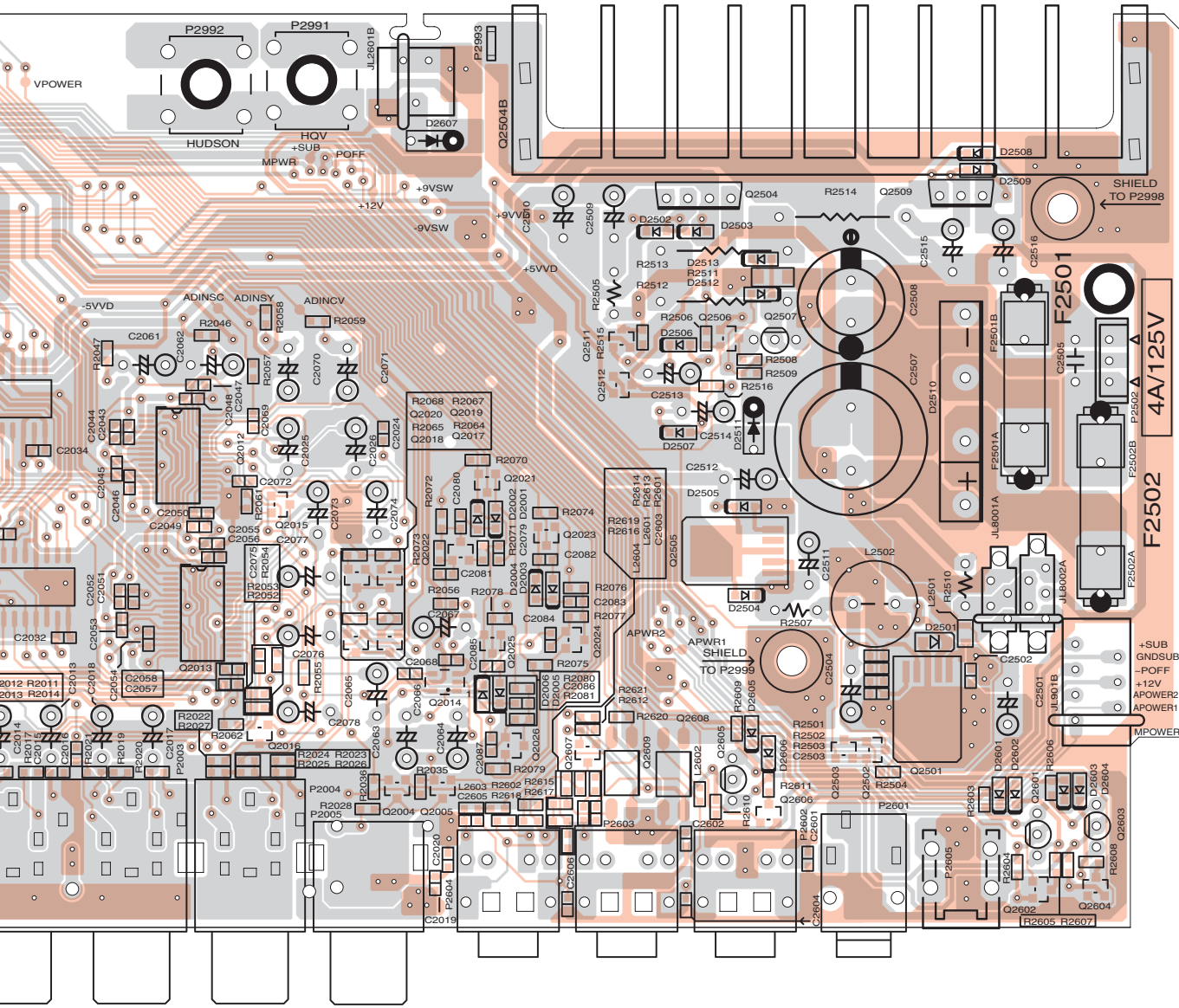


E

F

G

H



A

B

C

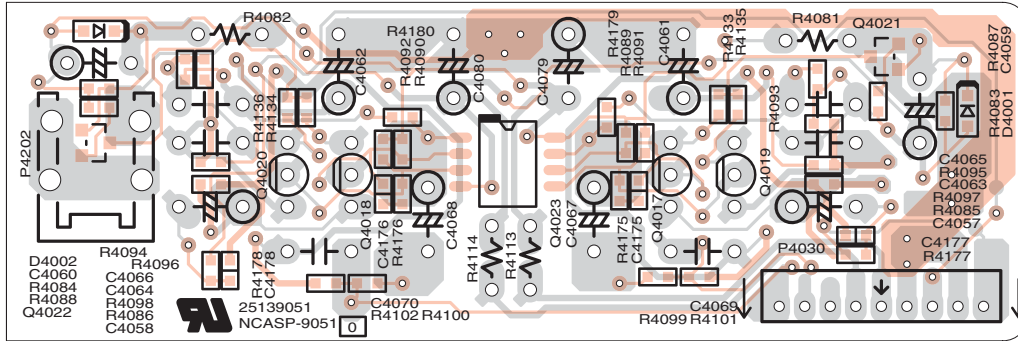
D

PRINTED CIRCUIT BOARD VIEWS-3

1

U02 PHONO PC BOARD (NAASP-9051)

Side-A



2

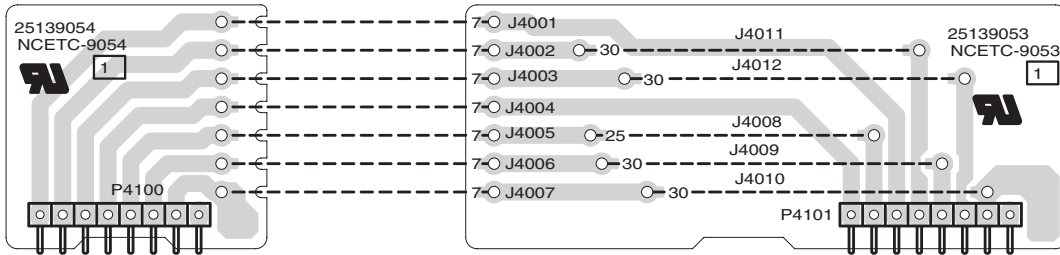
U05 CONNECTOR PC BOARD (NAETC-9054)

Component side

U04 CONNECTOR PC BOARD (NAETC-9053)

Component side

3

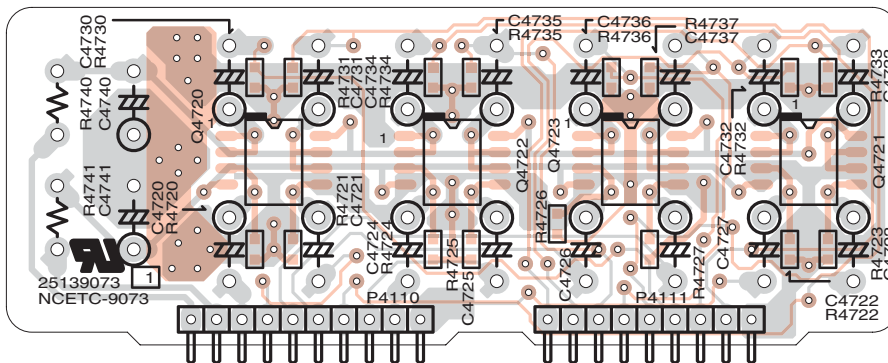


4

U16 AMPLIFIER PC BOARD (NAETC-9073)

Side-A

5



A

B

C

D

PRINTED CIRCUIT BOARD VIEWS-4

U06 POWER SUPPLY PC BOARD (NAPS-9057)

Component side

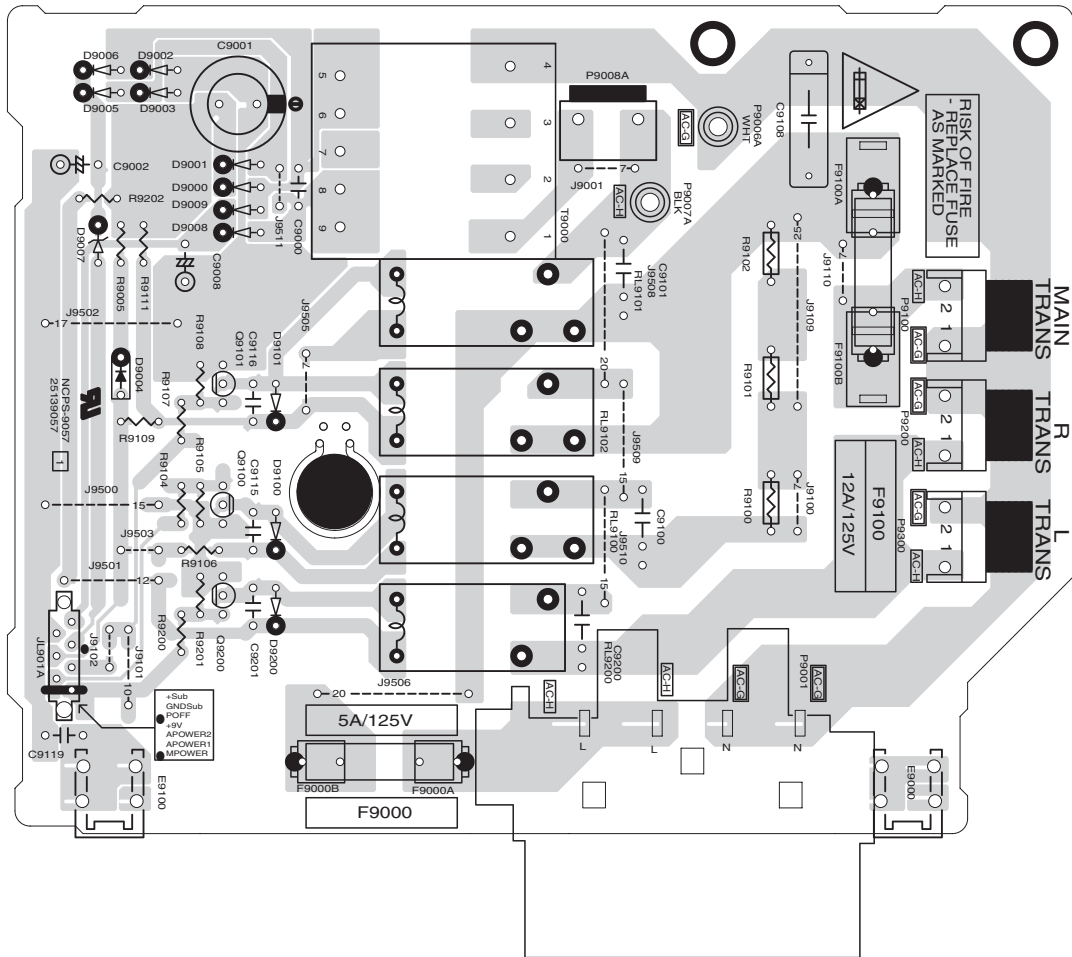
1

2

3

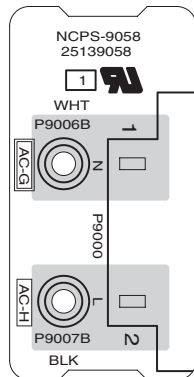
4

5



U07 INLET PC BOARD (NAPS-9058)

Component side



A

B

C

D

PRINTED CIRCUIT BOARD VIEWS-5

U08 DSP PC BOARD (NADSP-9072)

Side-A

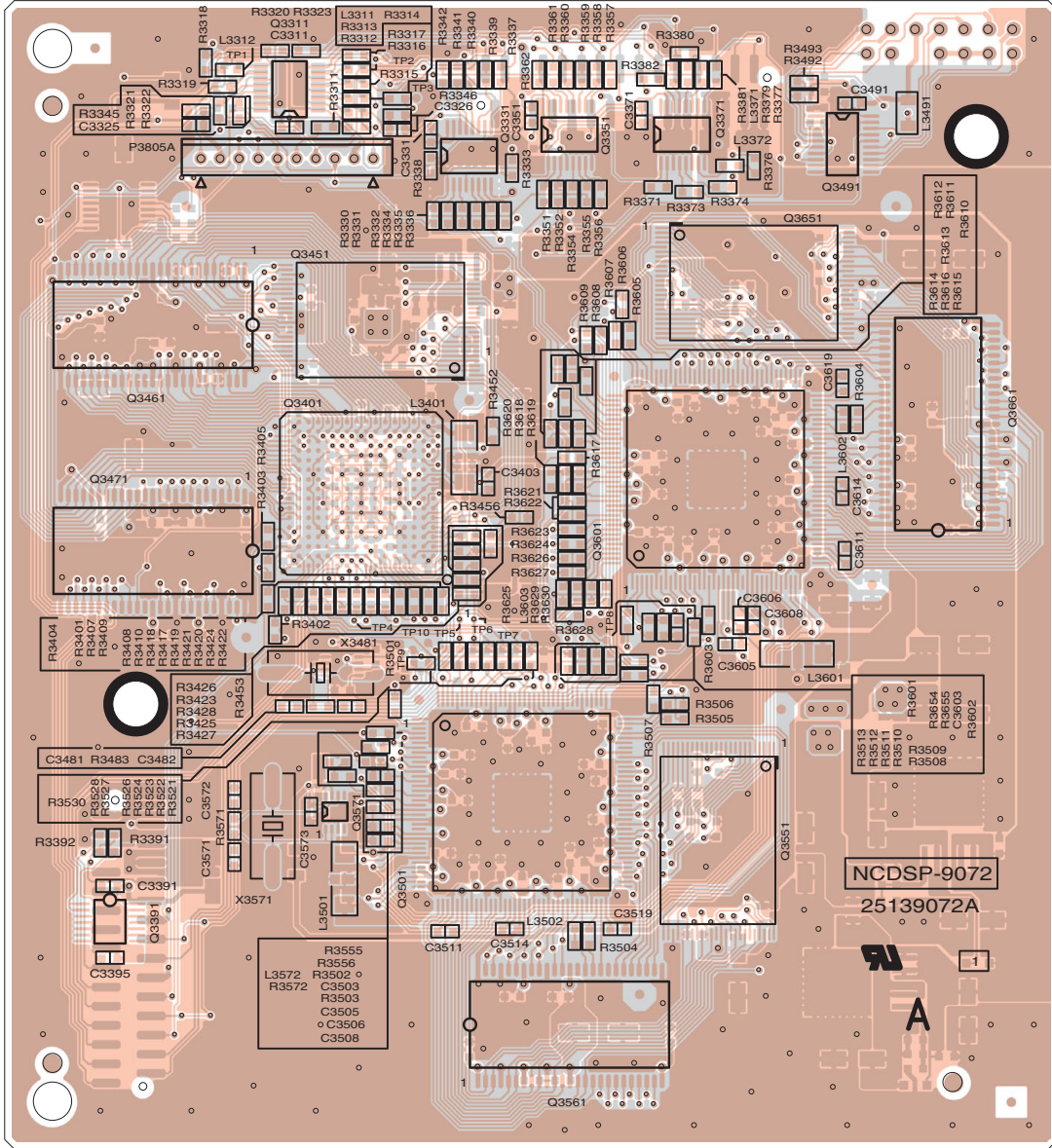
1

2

3

4

5



A

B

C

D

PRINTED CIRCUIT BOARD VIEWS-6

U08 DSP PC BOARD (NADSP-9072)

Side-B

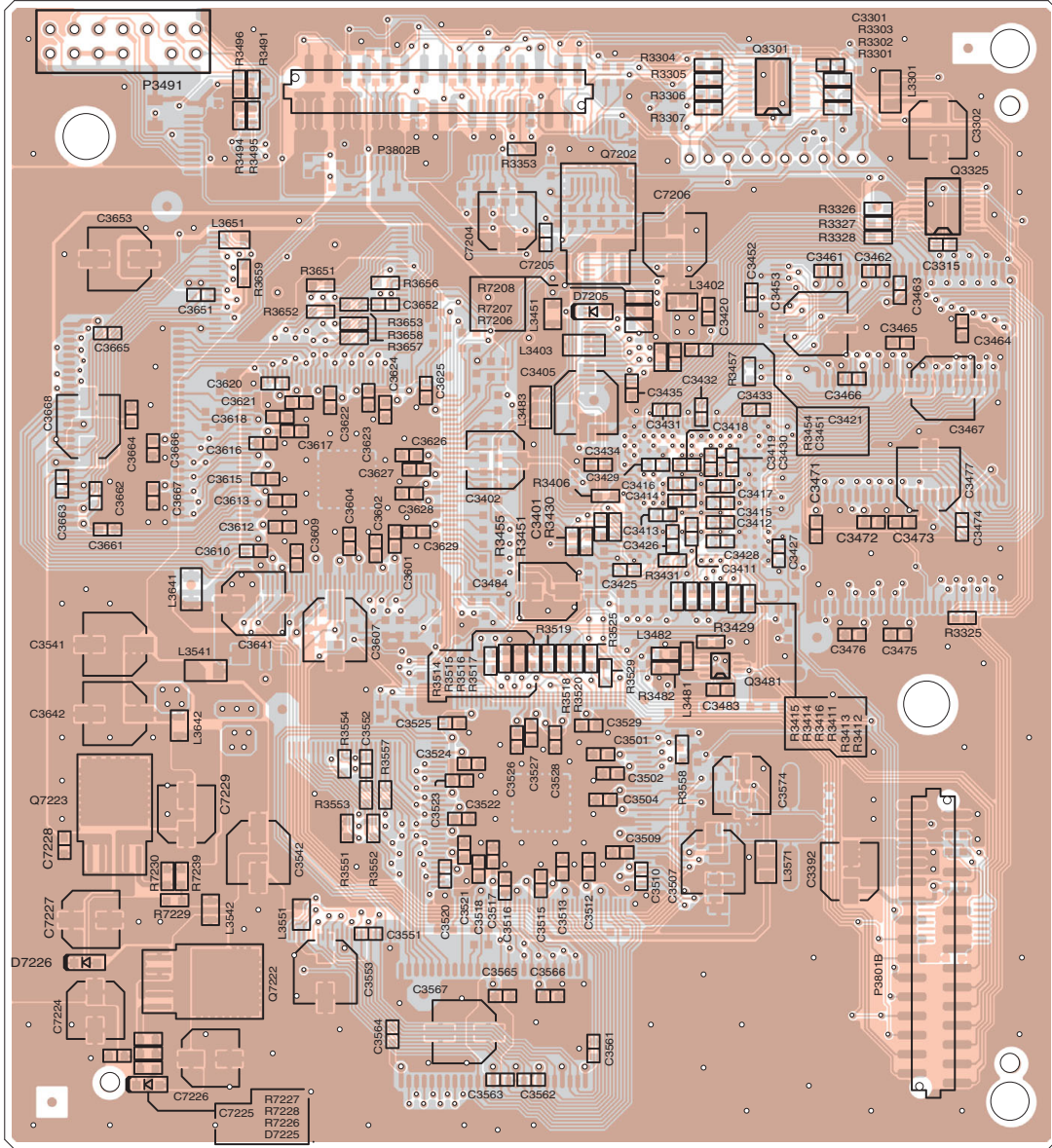
1

2

3

4

5



A

B

C

D

PRINTED CIRCUIT BOARD VIEWS-7

U09 DAC PC BOARD (NADG-9074)

Side-A

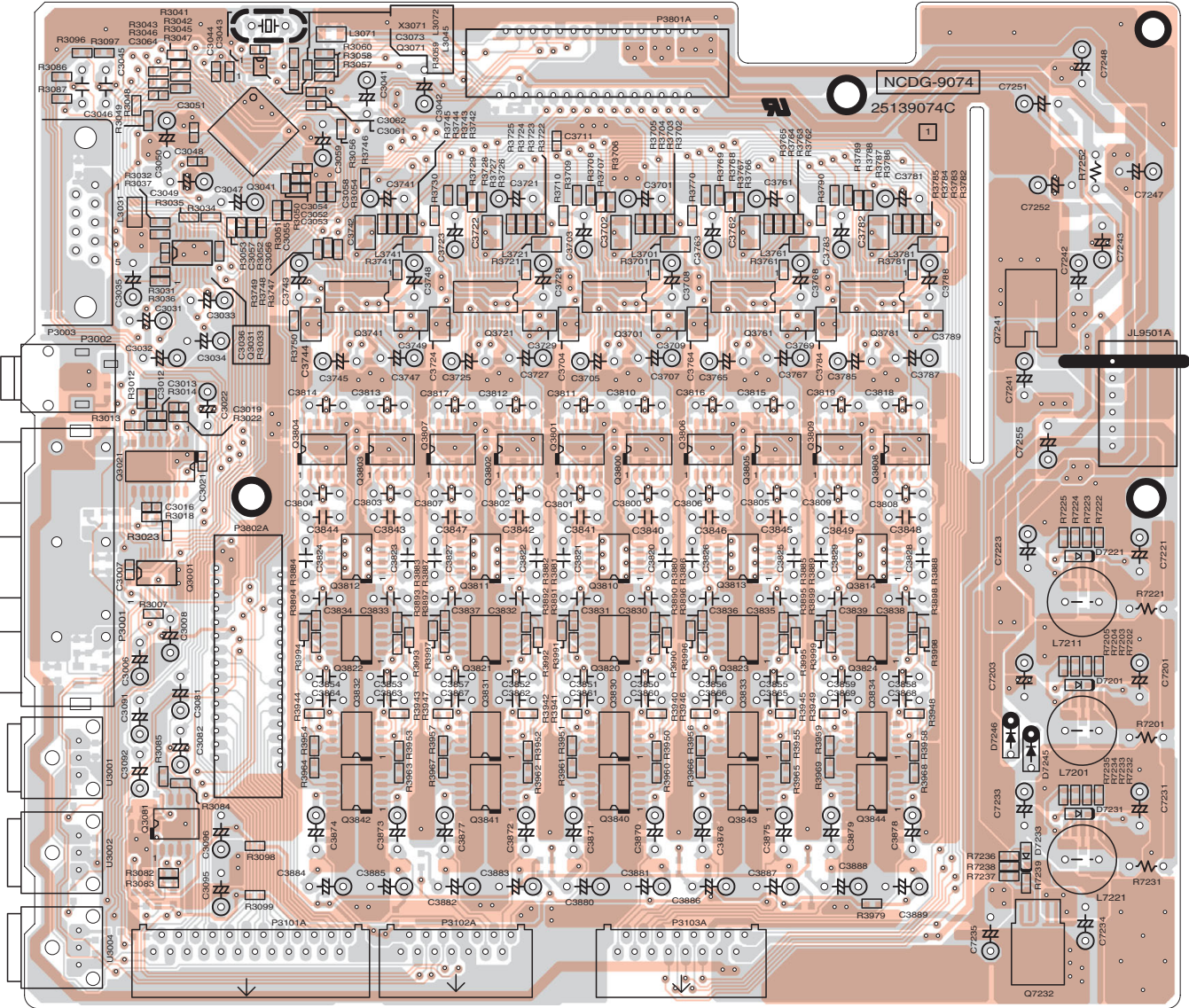
1

2

3

4

5



A

B

C

D

PRINTED CIRCUIT BOARD VIEWS-8

U09 DAC PC BOARD (NADG-9074)

Side-B

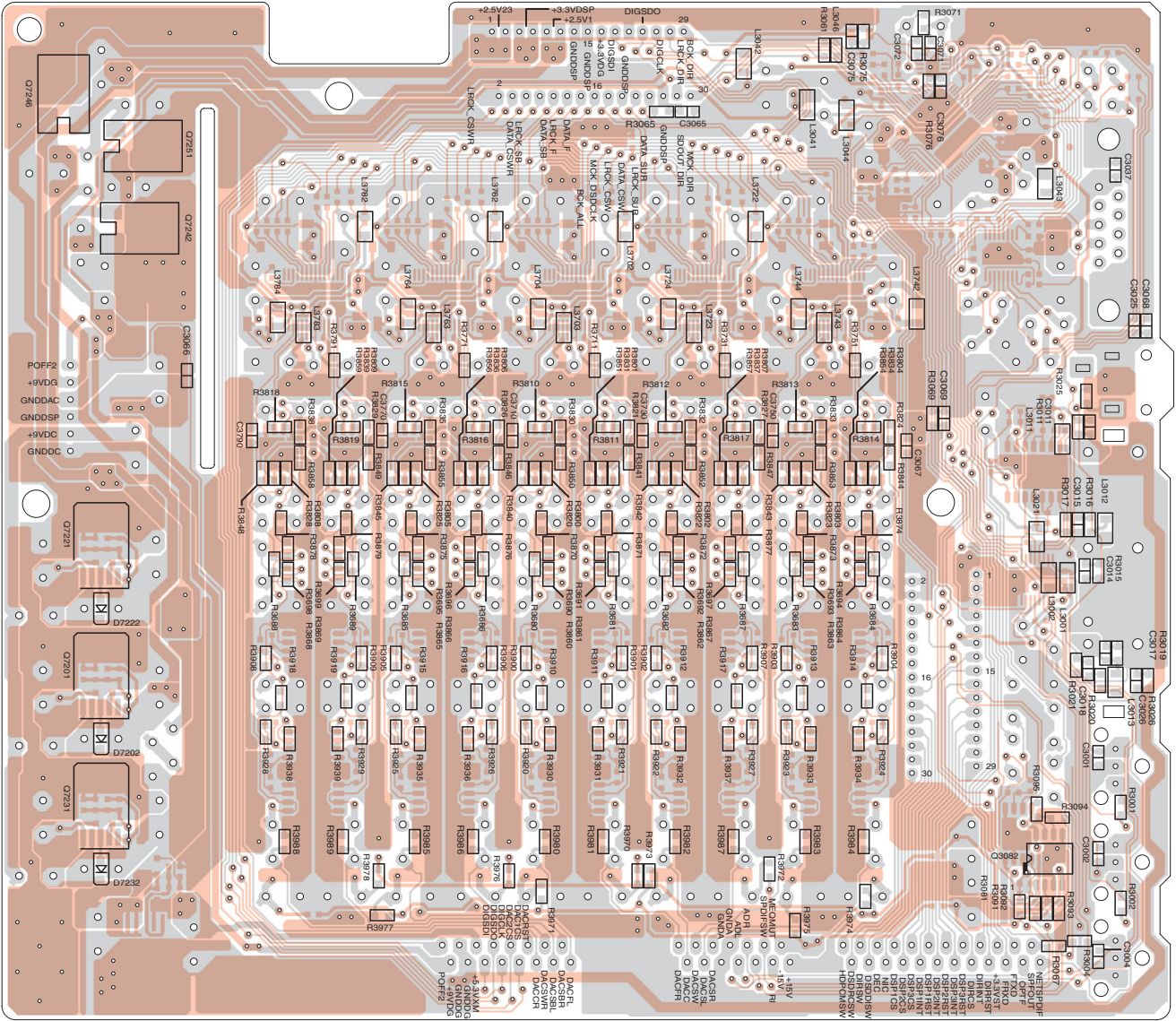
1

2

3

4

5



A

B

C

D

PRINTED CIRCUIT BOARD VIEWS-9

U10 MICROPROCESSOR PC BOARD (NAAR-9075)

Side-A

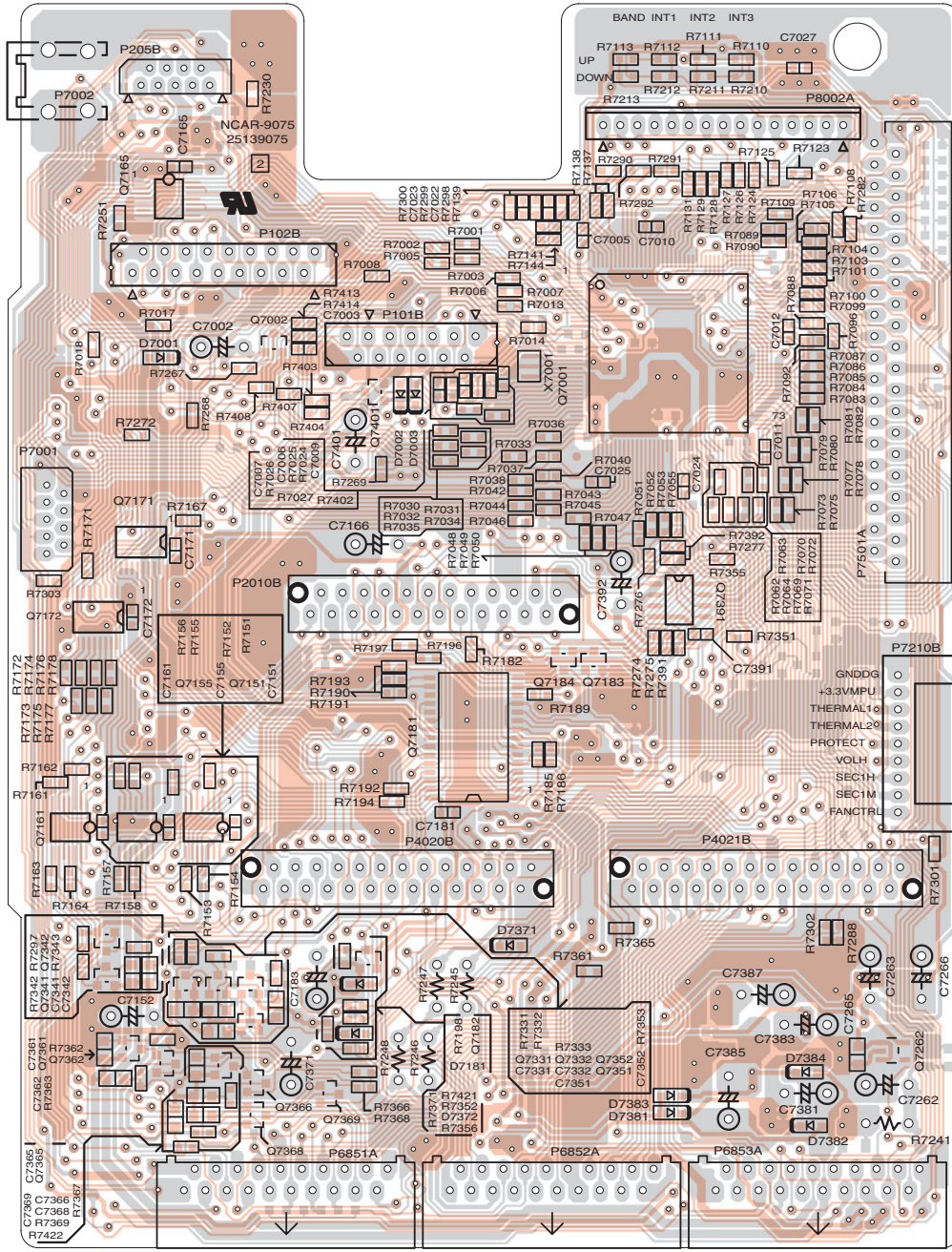
1

2

3

4

5



A

B

C

D

PRINTED CIRCUIT BOARD VIEWS-10

U10 MICROPROCESSOR PC BOARD (NAAR-9075)

Side-B

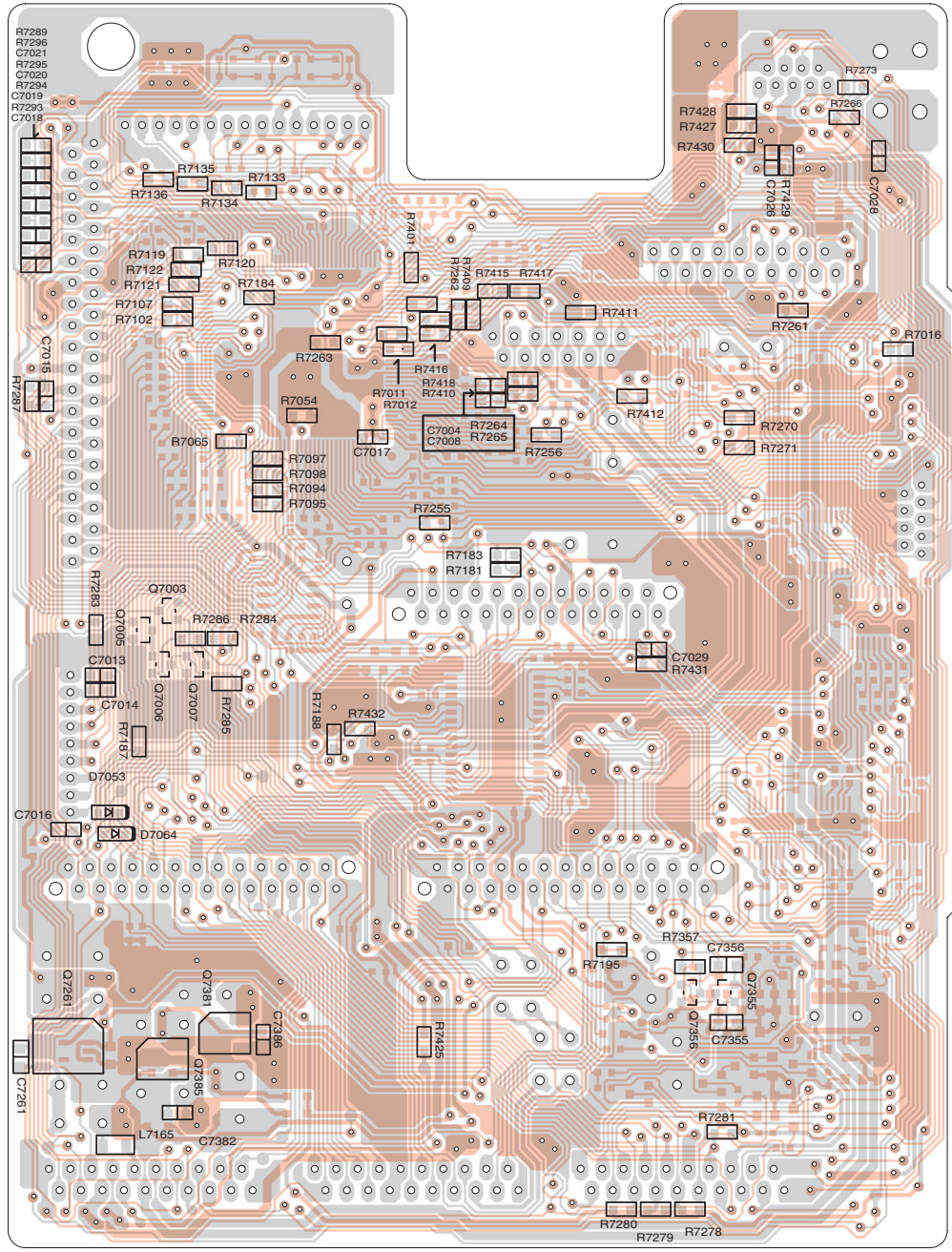
1

2

3

4

5



A

B

C

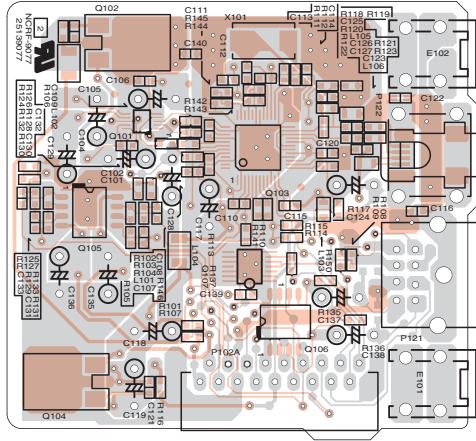
D

PRINTED CIRCUIT BOARD VIEWS-11

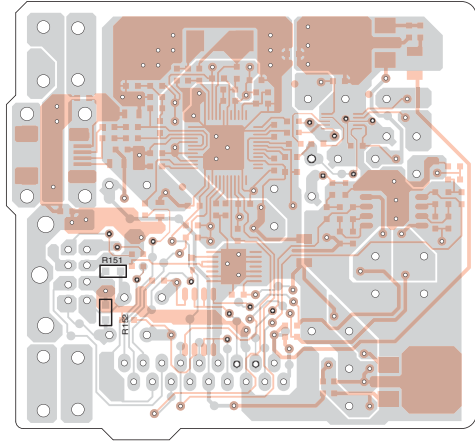
U12 XM PC BOARD (NARF-9077)

1

Side-A



Side-B

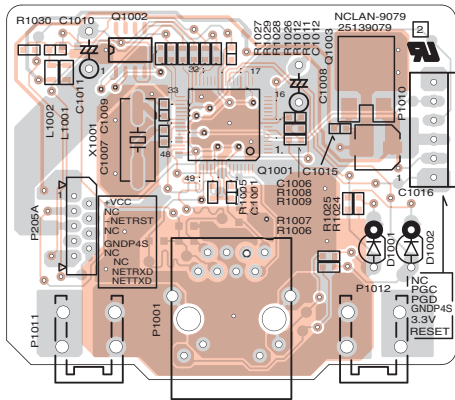


2

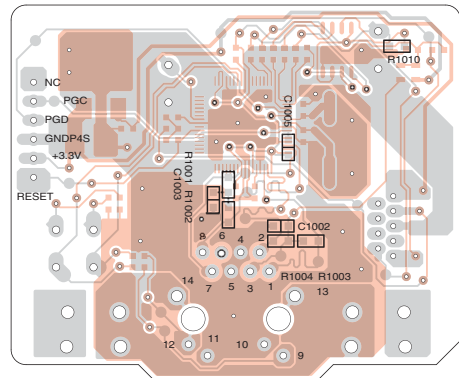
U14 LAN PC BOARD (NALAN-9079)

3

Side-A



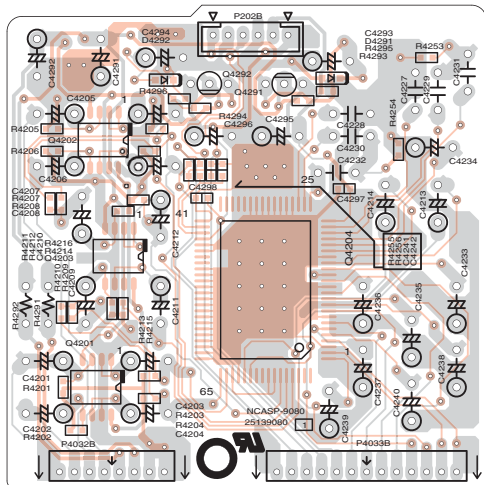
Side-B



4

U15 AMPLIFIER PC BOARD (NAASP-9080)

Side-A



5

A

B

C

D

PRINTED CIRCUIT BOARD VIEWS-12

U17 DISPLAY PC BOARD (NADIS-9096)

Component side

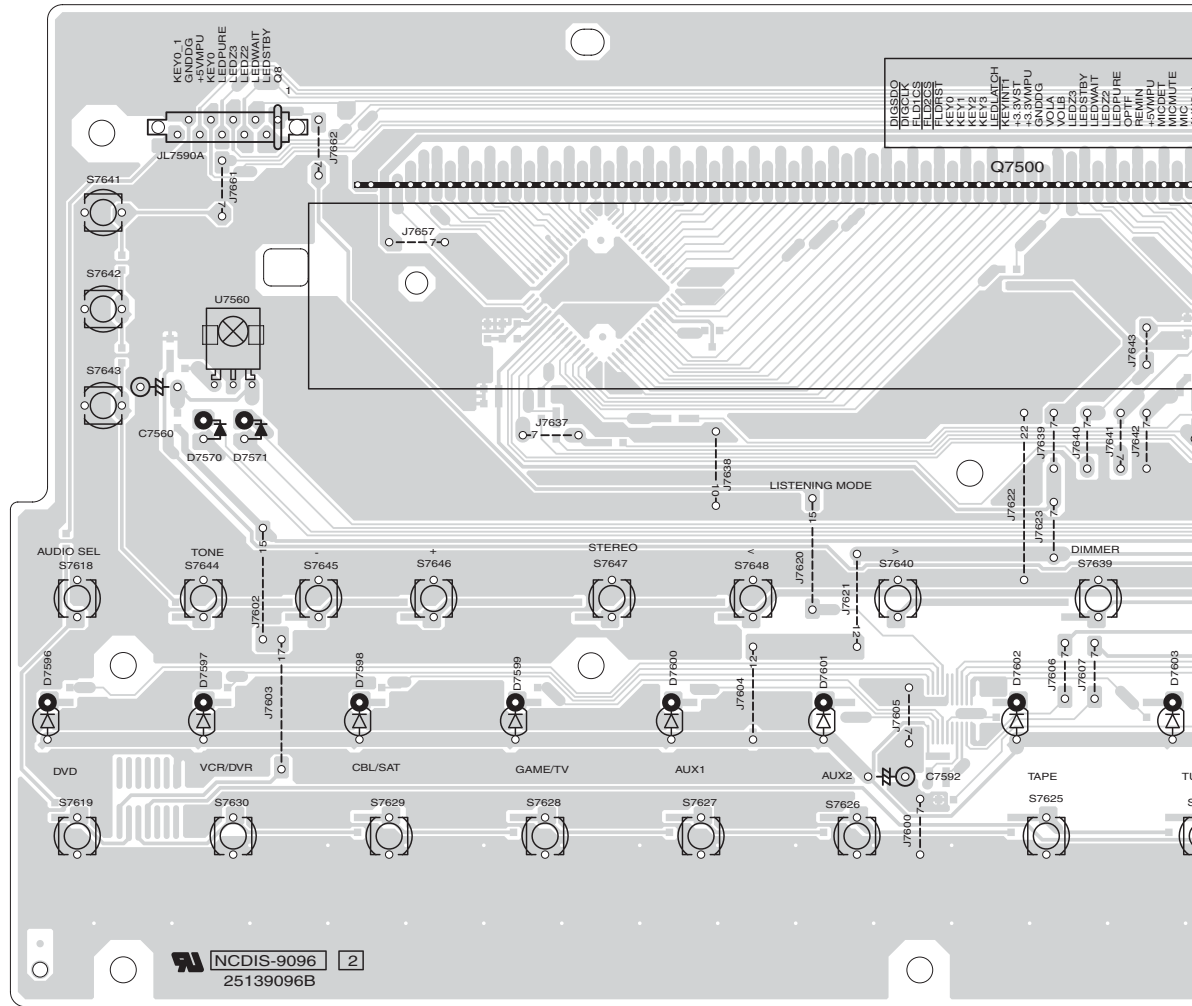
1

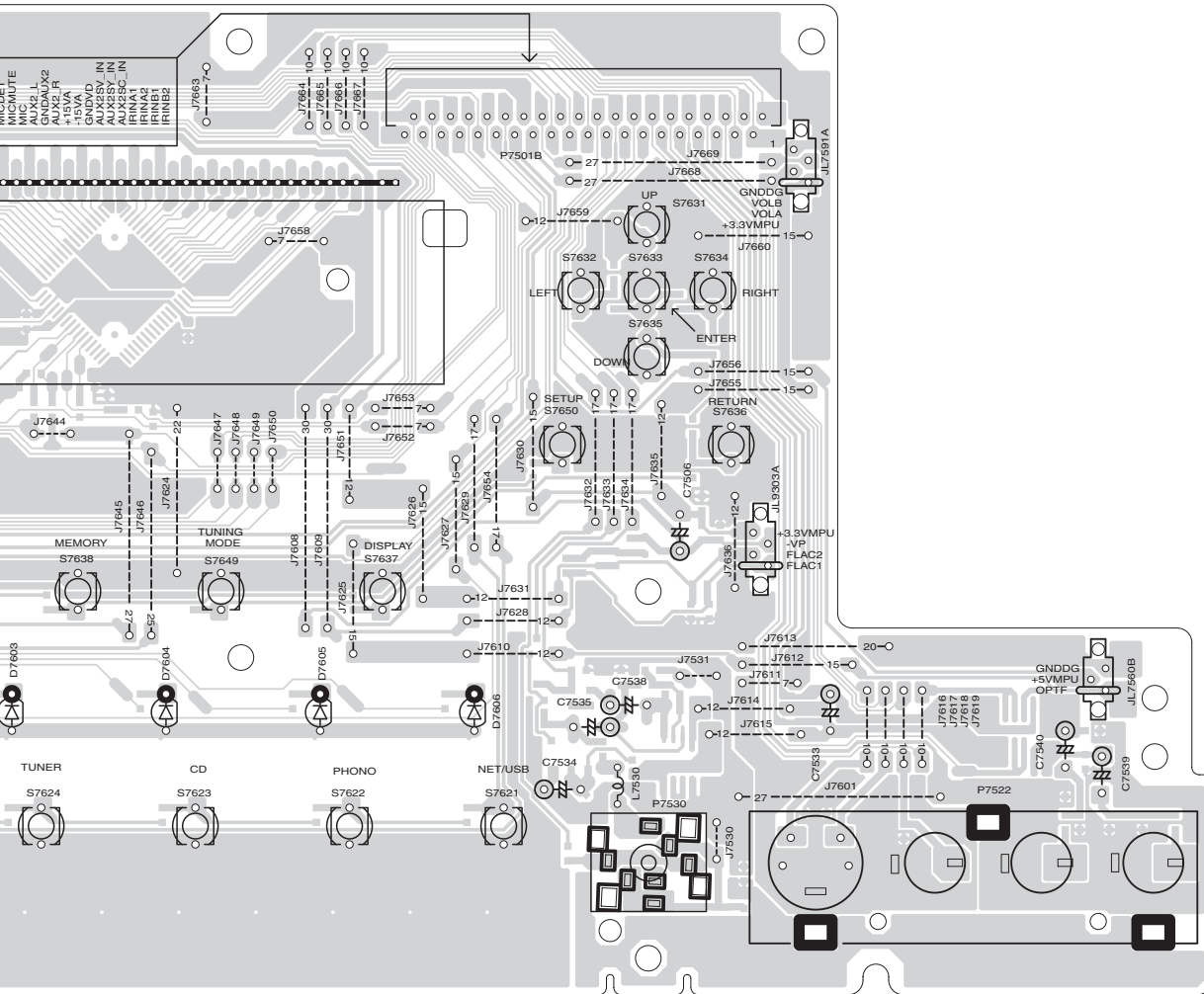
2

3

4

5





A

B

C

D

PRINTED CIRCUIT BOARD VIEWS-13

U17 DISPLAY PC BOARD (NADIS-9096)

Soldering Side

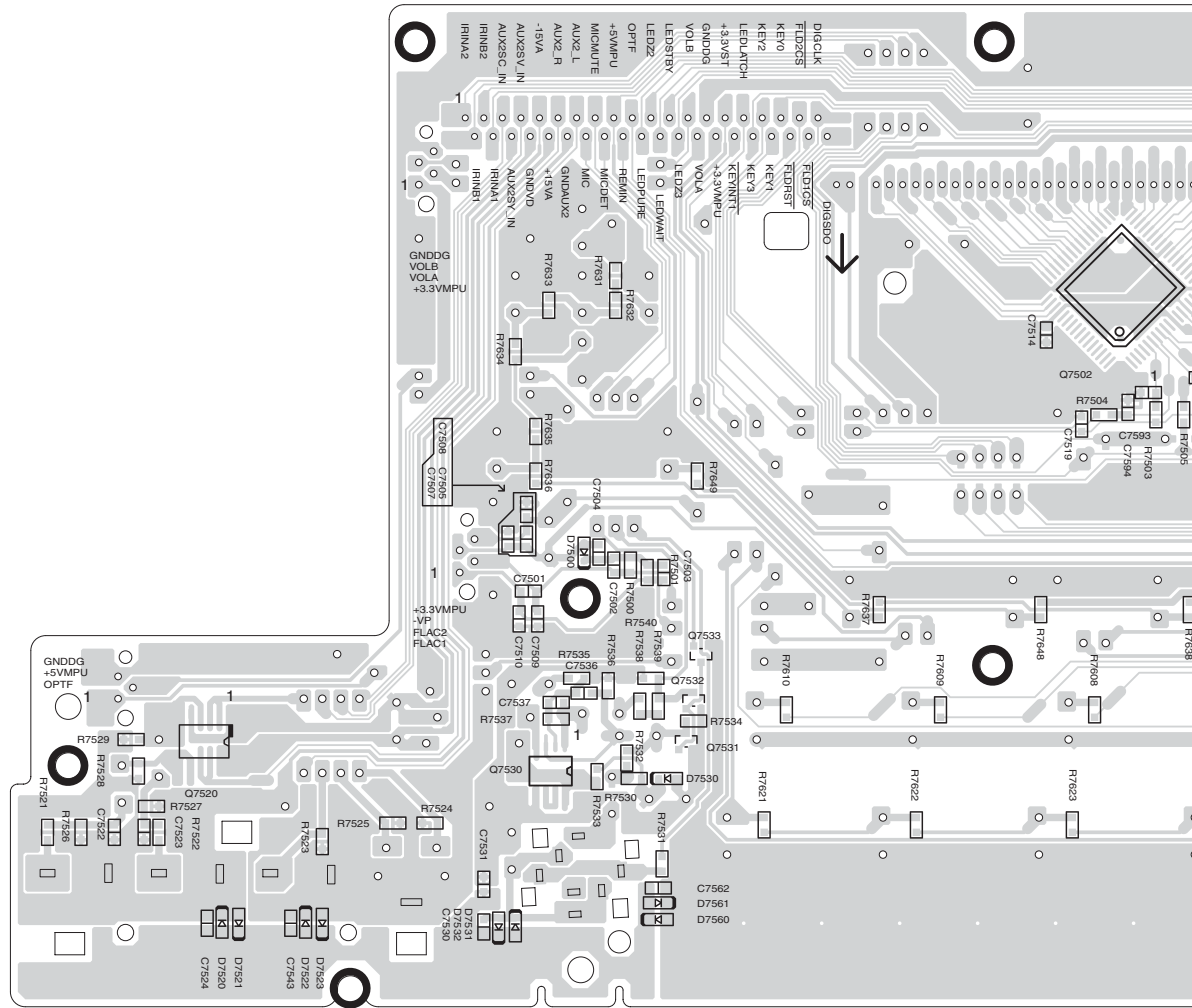
1

2

3

4

5

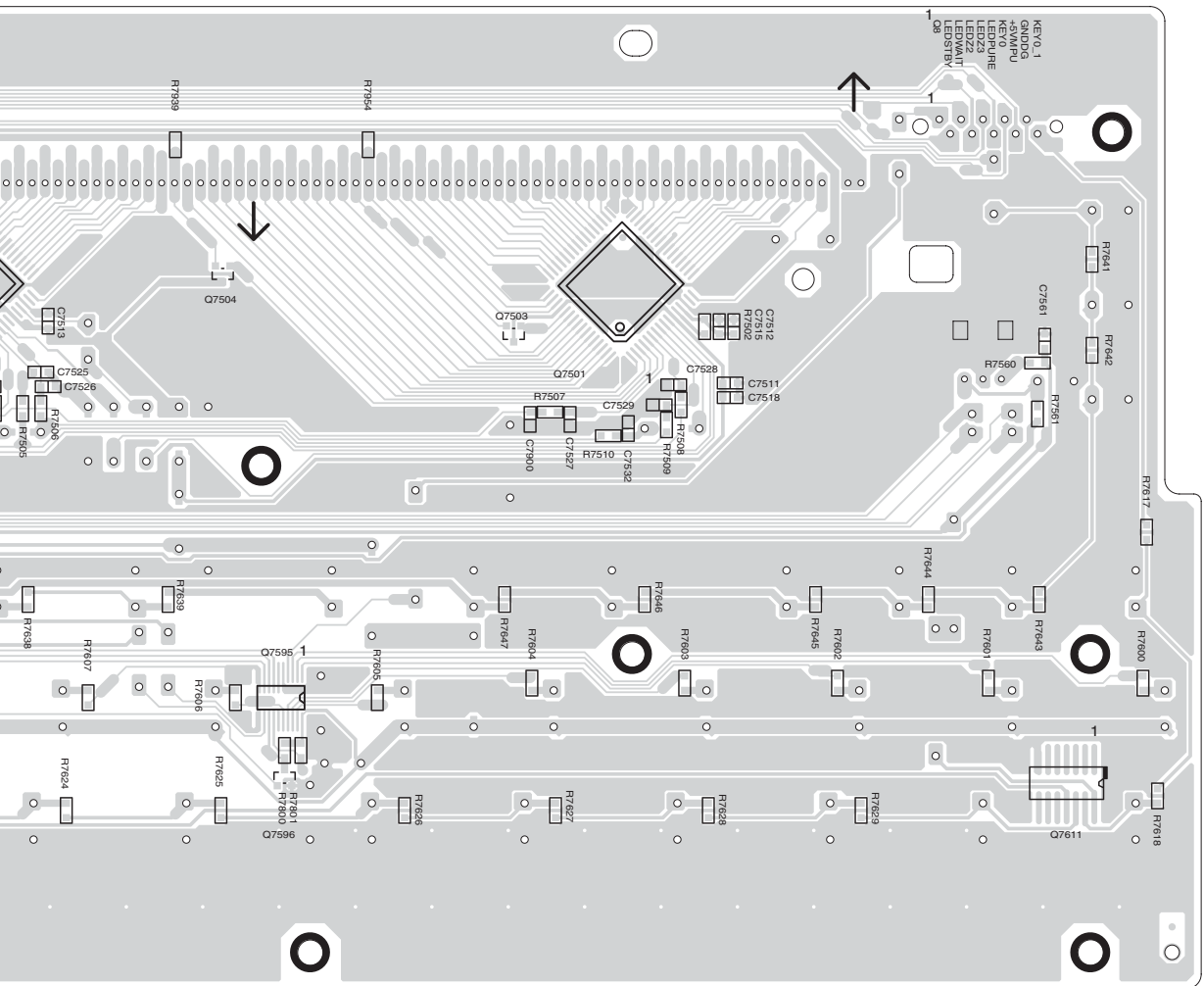


E

F

G

H



A

B

C

D

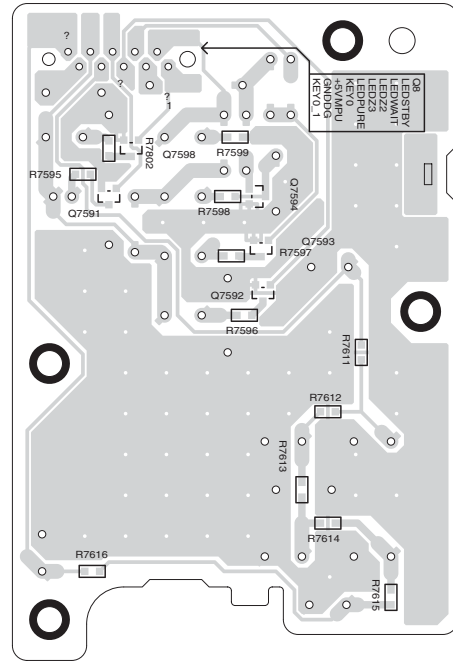
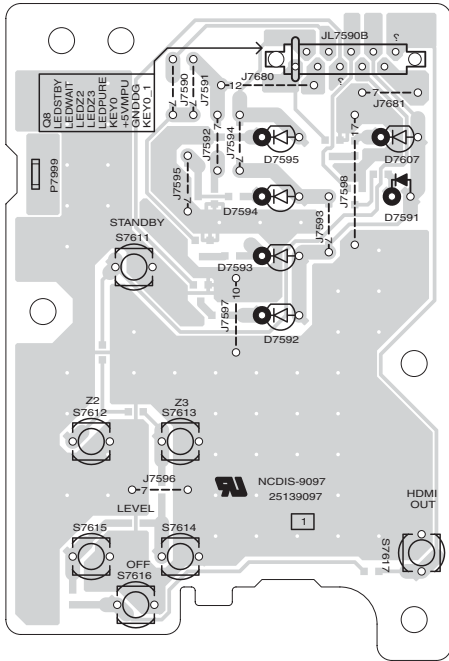
PRINTED CIRCUIT BOARD VIEWS-14

U18 DISPLAY PC BOARD (NADIS-9097)

Component side

Soldering side

1



2

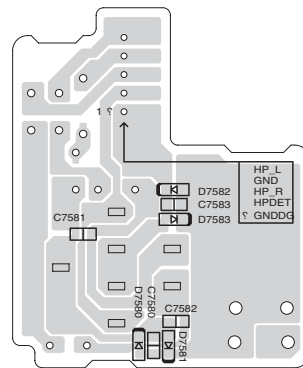
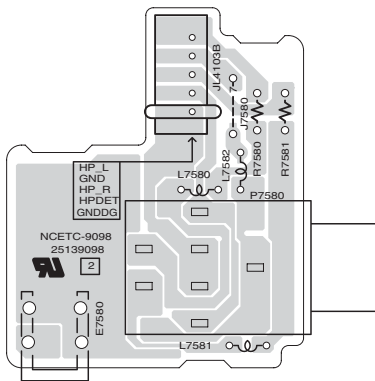
3

U19 HEADPHONE PC BOARD (NAETC-9098)

Component side

Soldering side

4



5

A

B

C

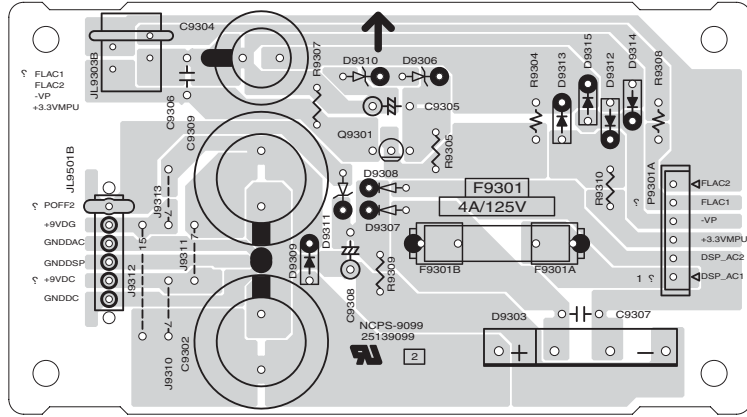
D

PRINTED CIRCUIT BOARD VIEWS-15

U20 POWER SUPPLY PC BOARD (NAPS-9099)

1

Component side



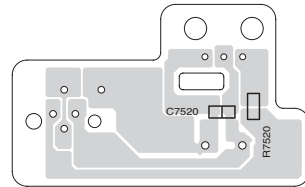
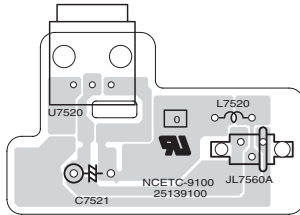
2

U21 OPT PC BOARD (NAETC-9100)

Component side

Soldering side

3

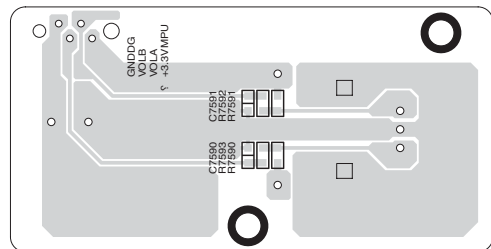
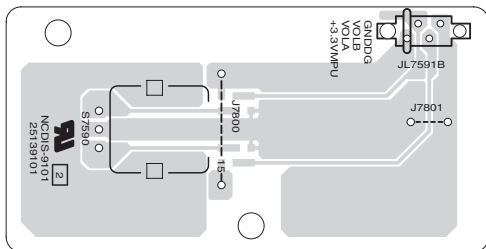


U22 OPT PC BOARD (NADIS-9101)

Component side

Soldering side

4



5

A

B

C

D

PRINTED CIRCUIT BOARD VIEWS-16

U25 BALANCE TERMINAL PC BOARD (NATRM-9108)

Component side

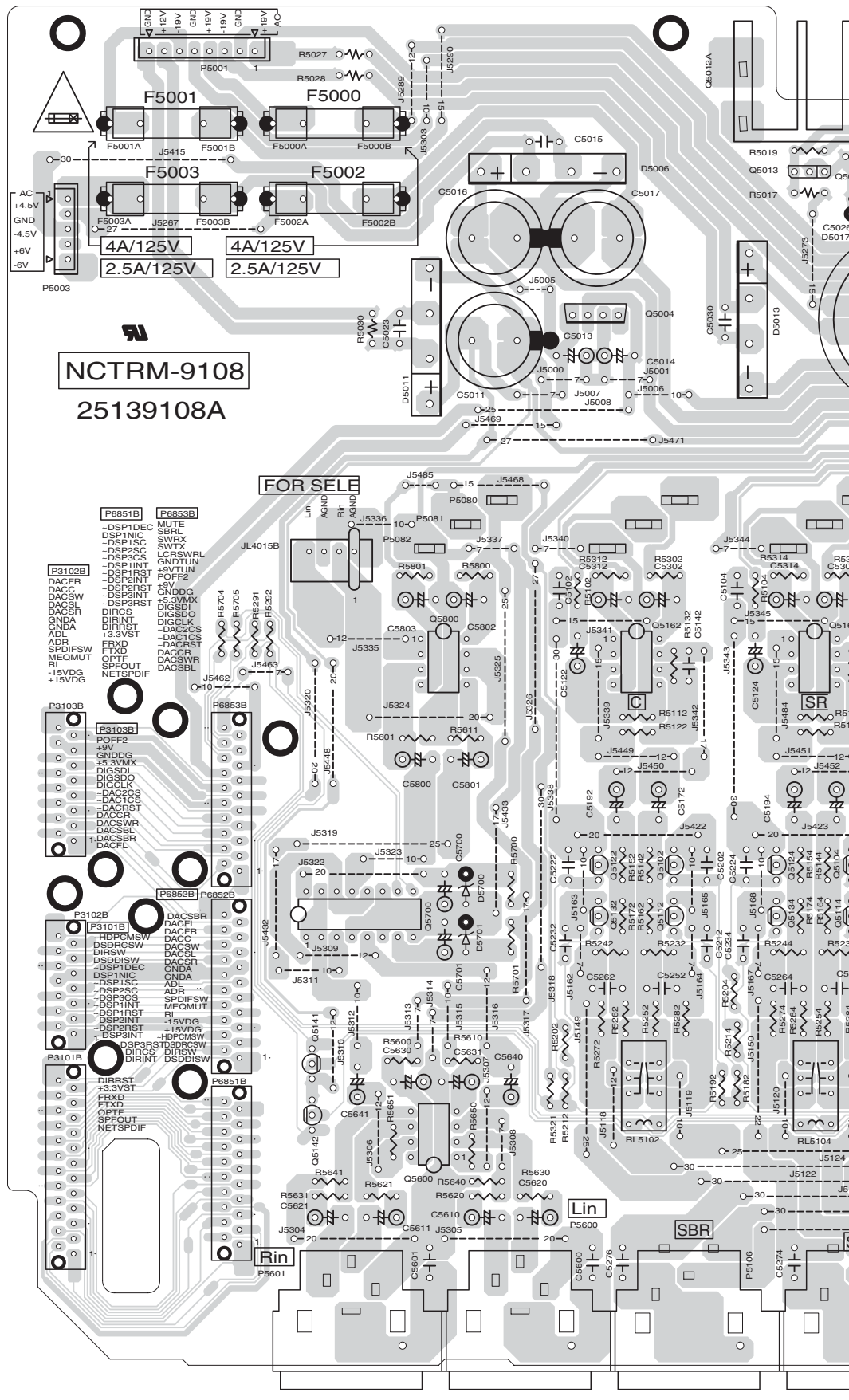
1

2

3

4

5

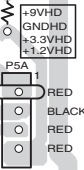
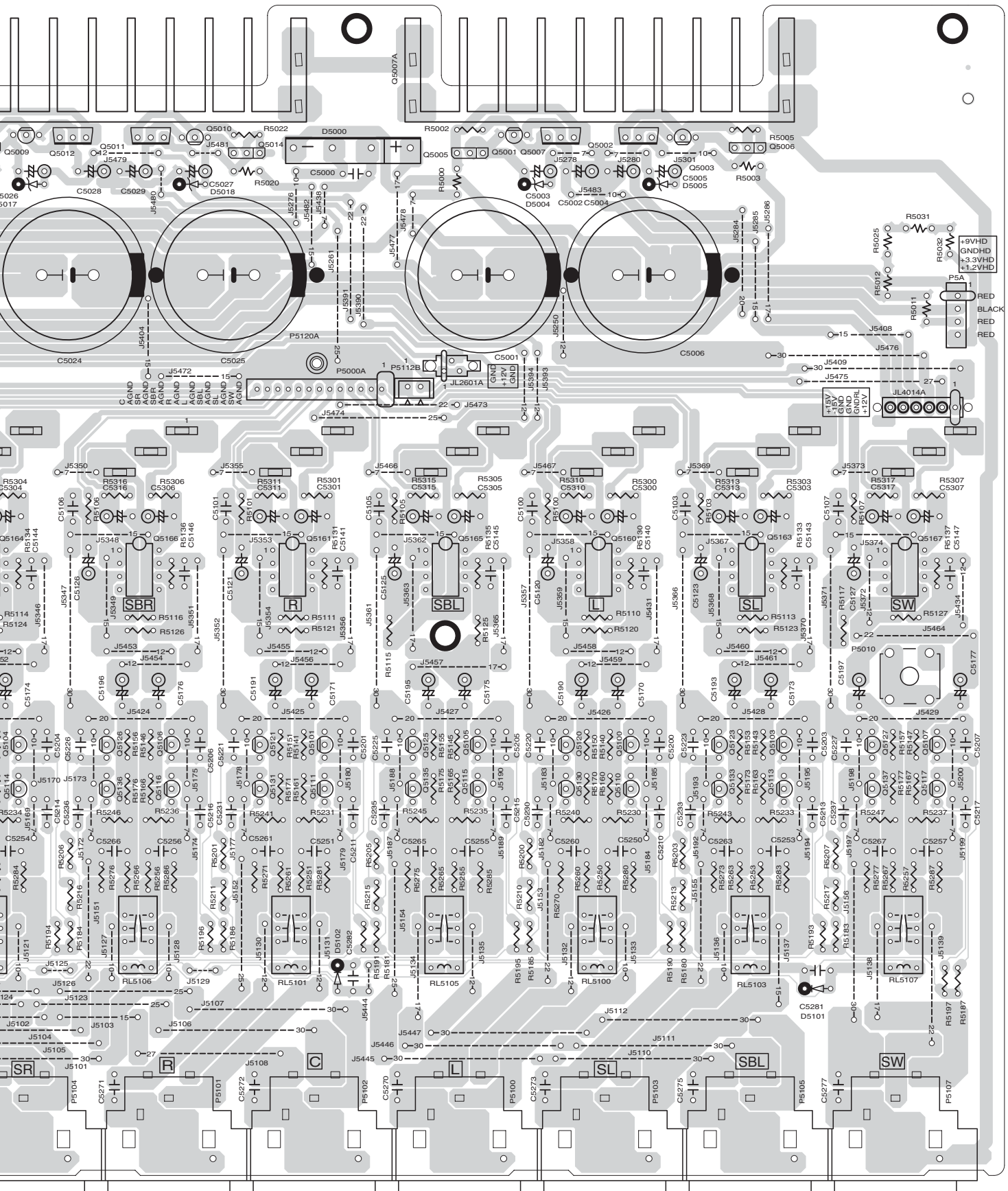


E

F

G

H



A

B

C

D

PRINTED CIRCUIT BOARD VIEWS-17

U26 HDMI PC BOARD (NAHDM-9114)

Side-A

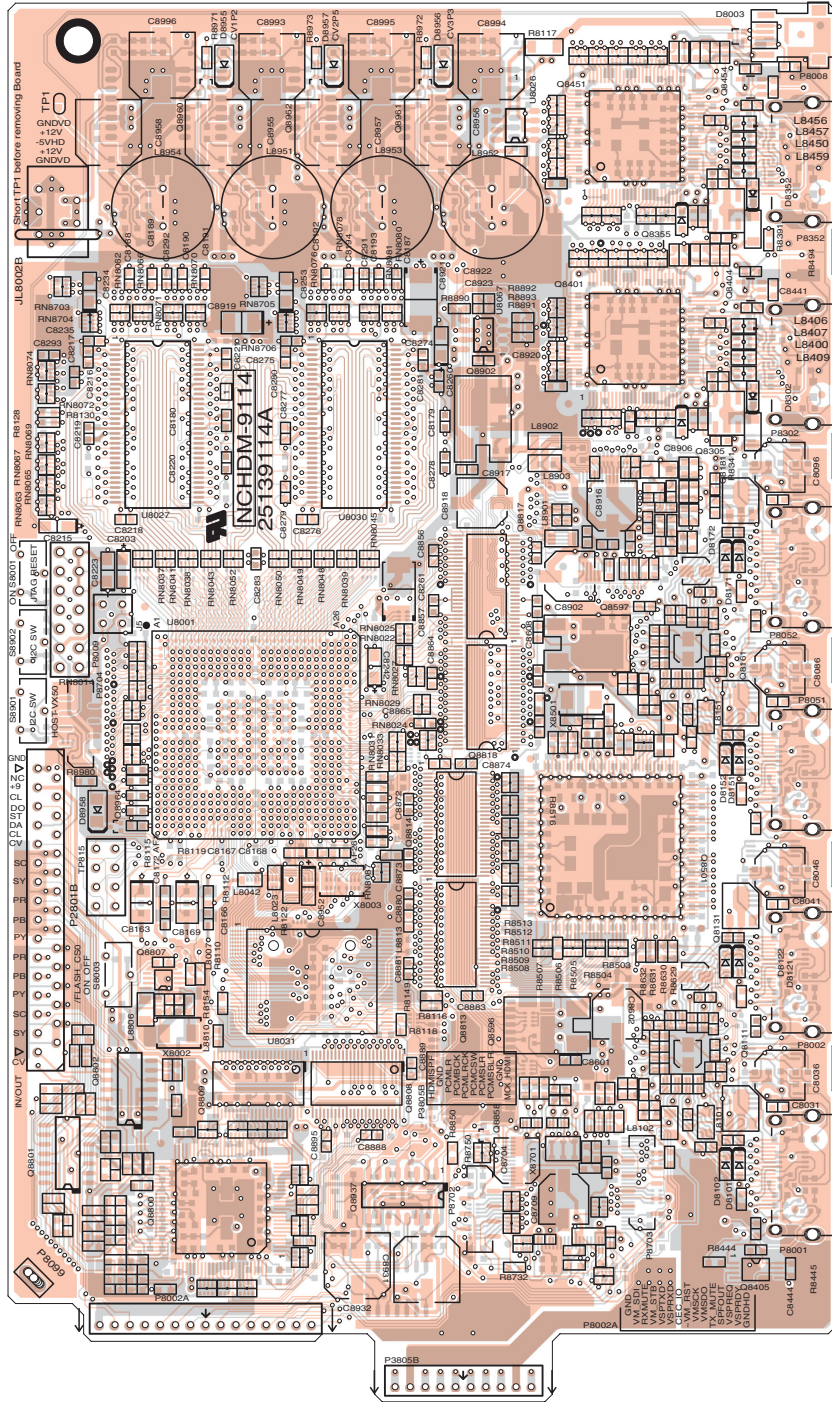
1

2

3

4

5



A

B

C

D

PRINTED CIRCUIT BOARD VIEWS-18

U26 HDMI PC BOARD (NAHDM-9114)

Side-B

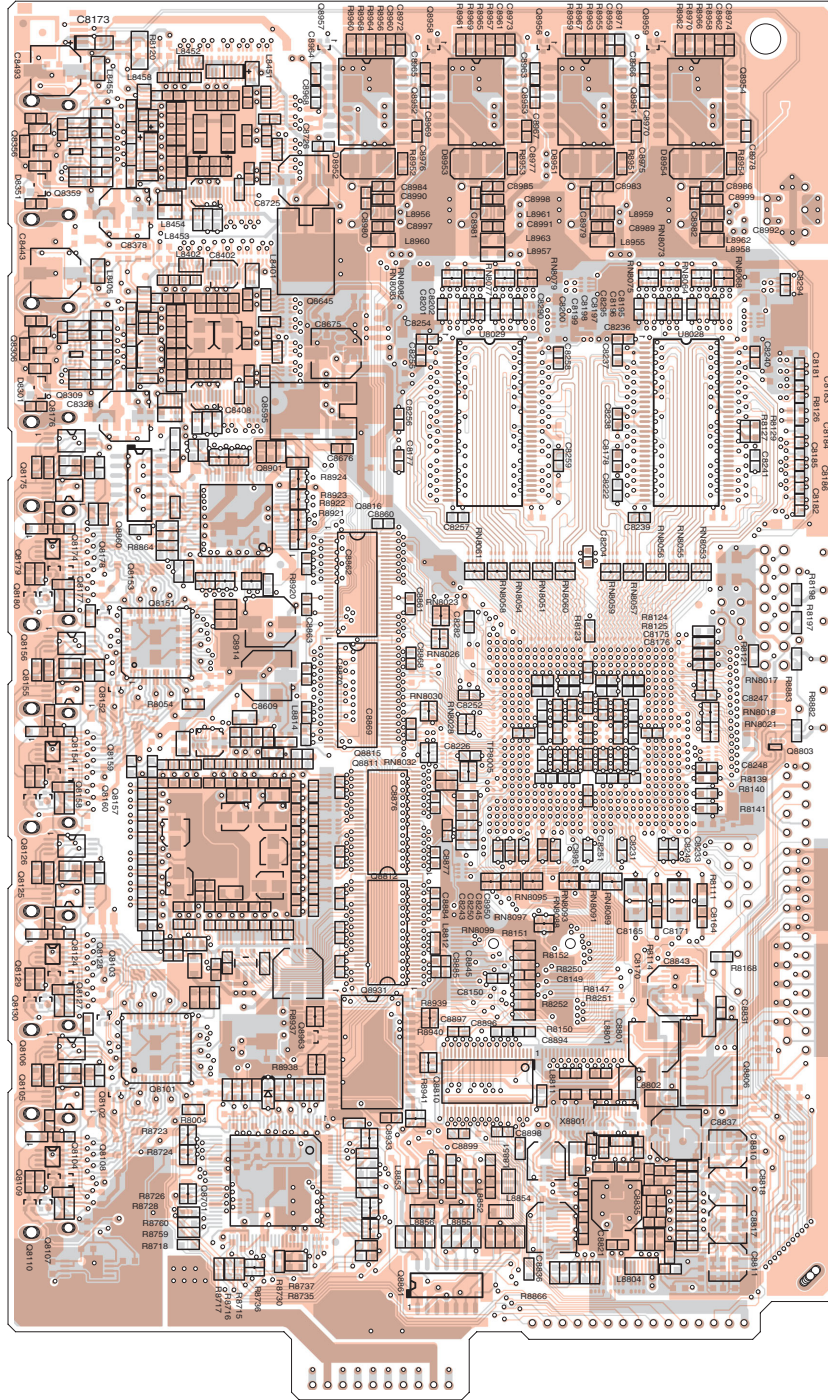
1

2

3

4

5



A

B

C

D

PRINTED CIRCUIT BOARD VIEWS-19

U27 HD RADIO PC BOARD (NARF-9118)

Side-A

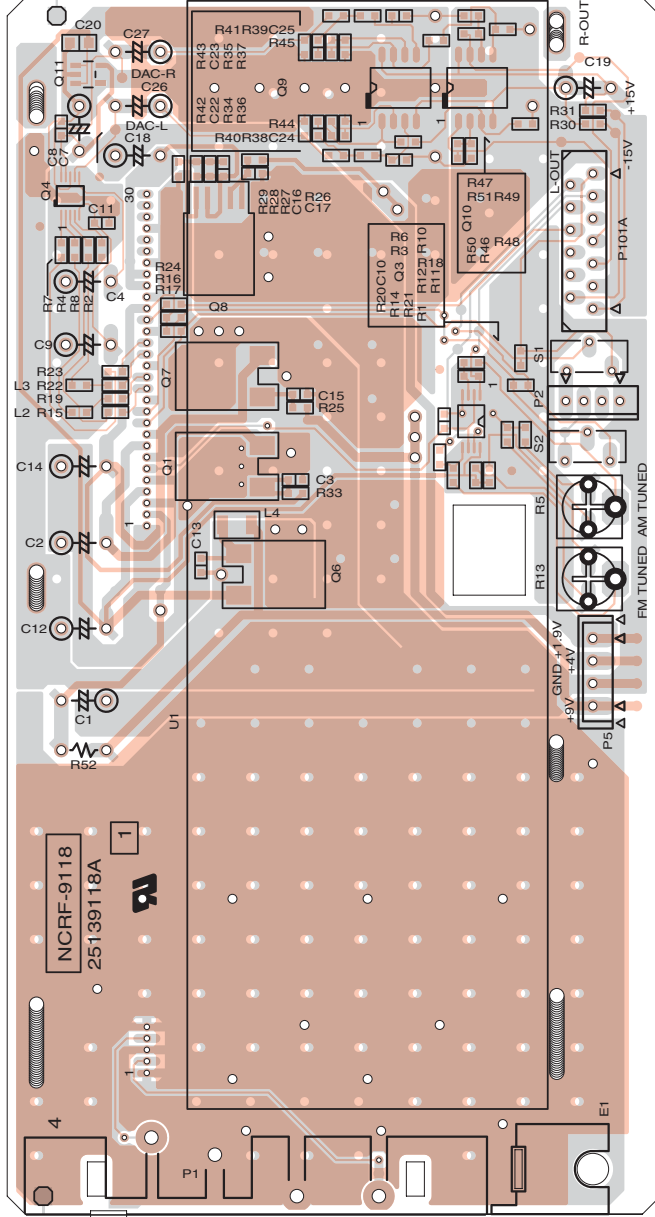
1

2

3

4

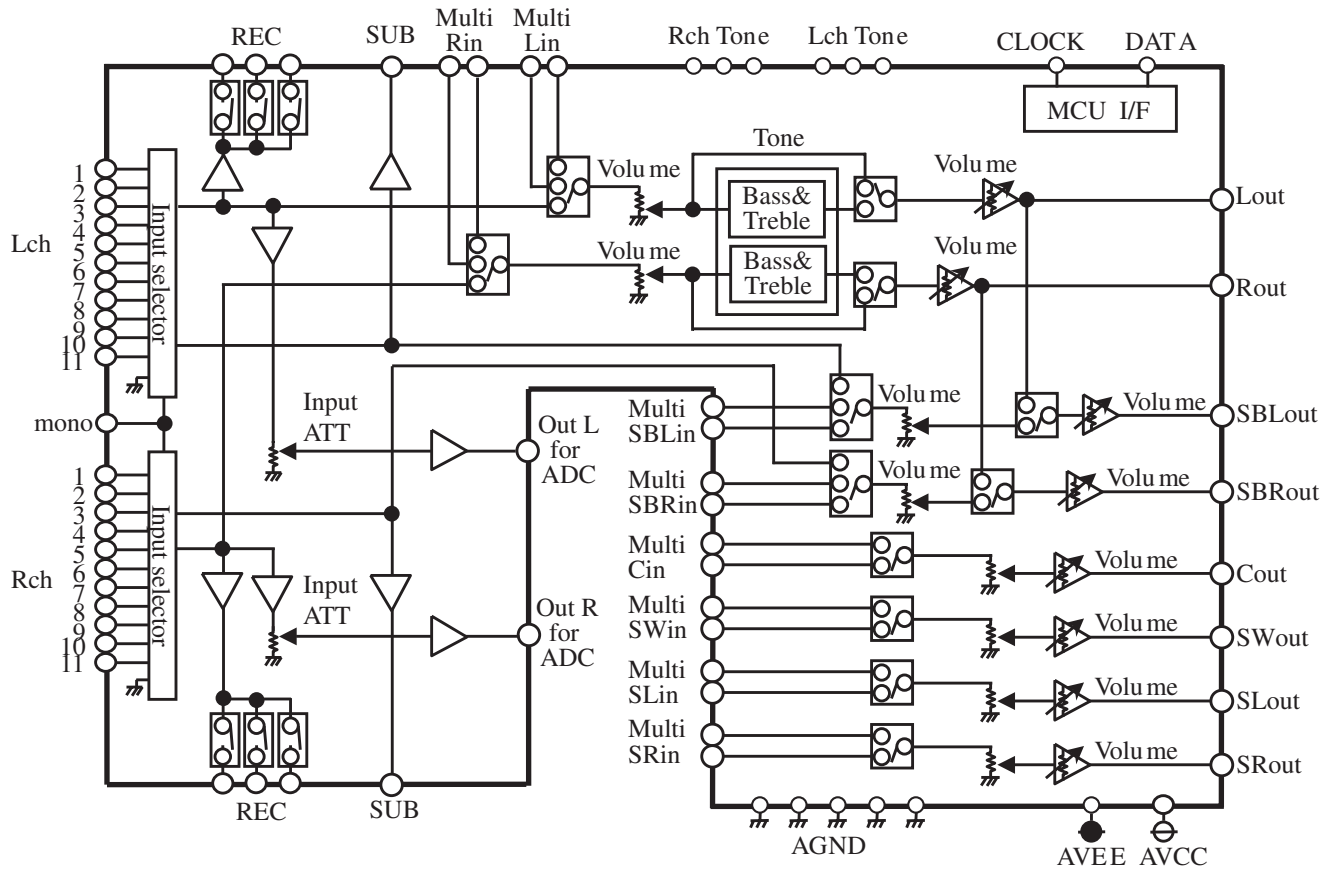
5



IC BLOCK DIAGRAMS AND TERMINAL DESCRIPTIONS -1

Q4204: R2S15211FP (8 ch Electronic Volume, 11 Input Selector and Tone Control)

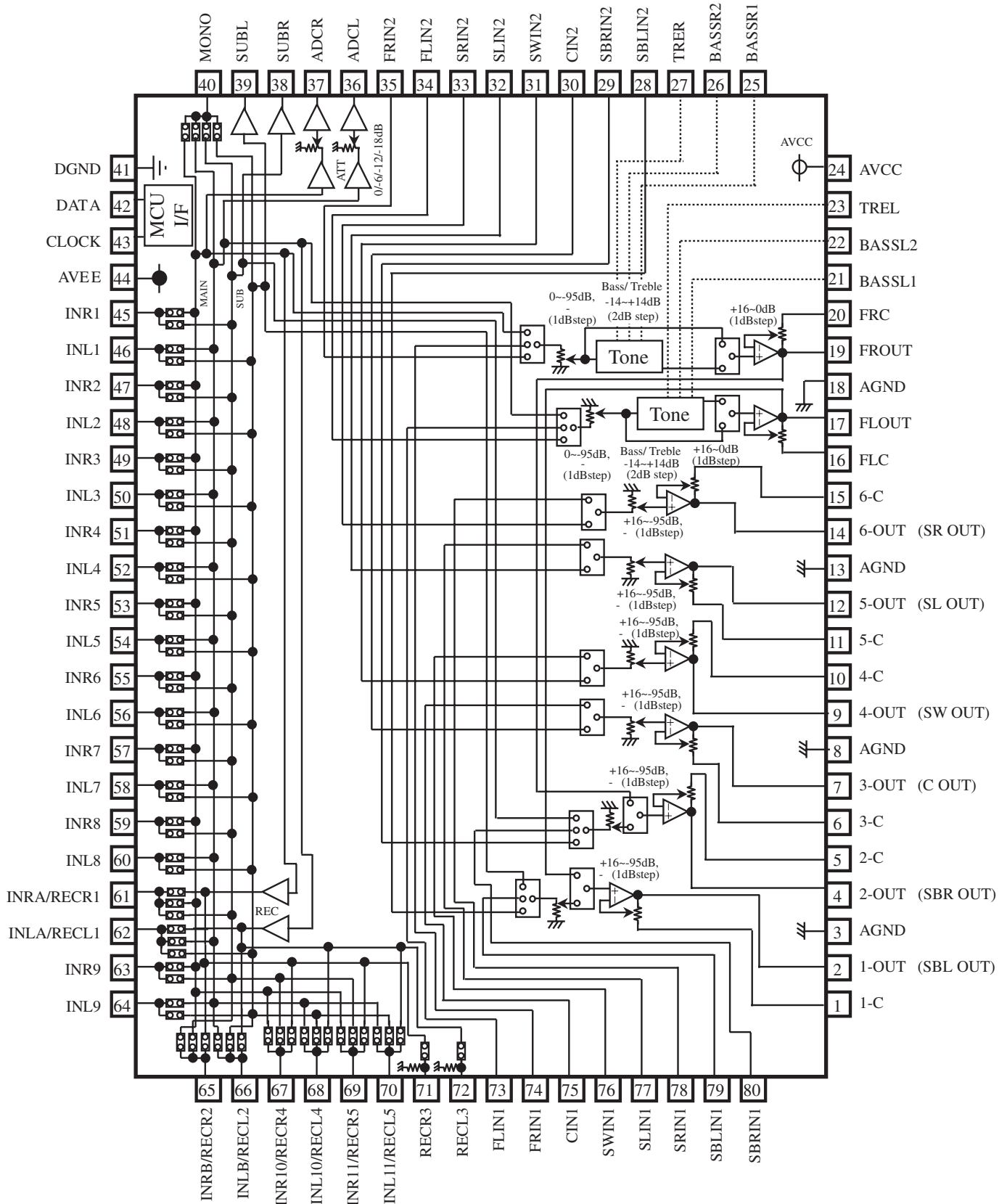
SYSTEM BLOCK DIAGRAM



IC BLOCK DIAGRAMS AND TERMINAL DESCRIPTIONS -2

Q4204: R2S15211FP (8 ch Electronic Volume, 11 Input Selector and Tone Control)

BLOCK DIAGRAM AND PIN CONFIGURATION



IC BLOCK DIAGRAMS AND TERMINAL DESCRIPTIONS -3

Q4204: R2S15211FP (8 ch Electronic Volume, 11 Input Selector and Tone Control)

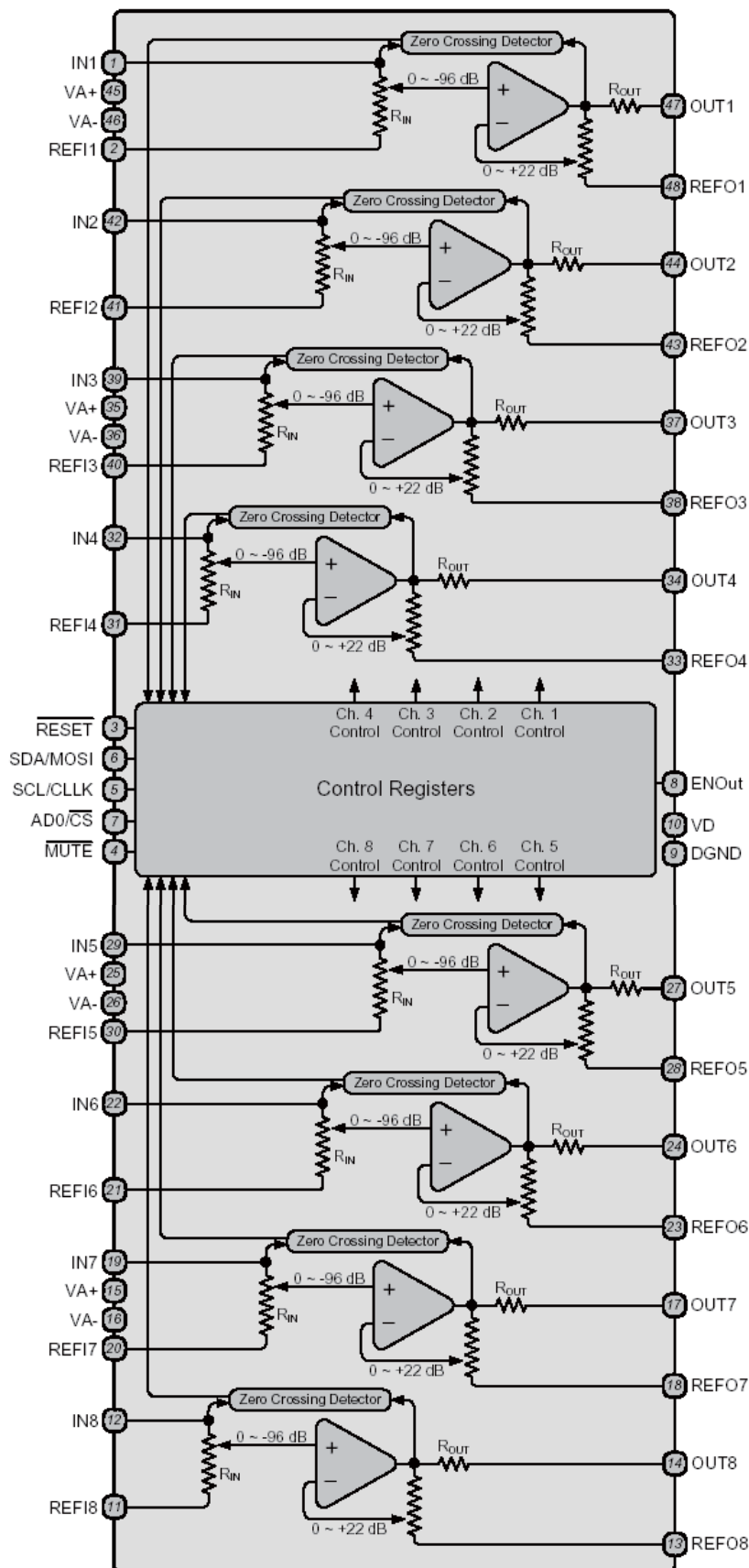
TERMINAL DESCRIPTION

PIN No.	Name	Function
19,17, 14,12, 9,7, 4,2	FROUT,FLOUT, 6-OUT,5-OUT, 4-OUT, 3-OUT, 2-OUT,1-OUT	Output pin of FL/FR/C/SW/SL/SR/SBL/SBR channel
20,16, 15,11, 10,6, 5,1	FRC,FLC, 6-C,5-C, 4-C,3-C, 2-C,1-C	Connects capacitor for reducing click noise of L/R/C/SW/SL/SR/SBL/SBR channel volume
3,8, 13,18	AGND	Analog ground of internal circuit
23,27	TREL, TRER	Frequency characteristic setting pin of L/R channel tone control (Treble)
21,22, 25,26	BASSL1,BASSL2 BASSR1,BASSR2	Frequency characteristic setting pin of L/R channel tone control (Bass)
24	AVCC	Positive power supply to internal circuit
35,34, 33,32, 31,30, 29,28	FRIN2, FLIN2, SRN2,SLIN2, SWIN2,CIN2, SBRIN2,SBLIN2	Input pin of L/R/C/SW/SL/SR/SBL/SBR channel (Multi IN 1/2)
73,74, 75,76, 77,78, 79,80	FLIN1, FRIN1, CIN1,SWIN1, SLIN1,SRIN1, SBLIN1,SBRIN1	
41	DGND	Digital ground of internal circuit
42	DATA	Input pin of control data
43	CLOCK	Input pin of control clock
44	AVEE	Negative power supply to internal circuit
46,48,50, 52,54,56, 58,60,64	INL1,INL2, INL3, INL4,INL5,INL6, INL7,INL8,INL9	Input pin of L/R channel (Input Selector)
45,47,49, 51,53,55, 57,59,63	INR1,INR2, INR3, INR4,INR5,INR6, INR7,INR8,INR9	
40	MONO	Input pin of monaural (Input Selector)
38,39	SUBL,SUBR	Output pin for L/R channel SUB Output
36,37	ADCL, ADCR	Output pin for L/R channel ADC
72	RECL3	Output pin for L/R channel REC Output
71	RECR3	
61,62, 65,66, 67,68, 69,70	INRA/RECR1,INLA/RECL1, INRB/RECR2,INLB/RECL2, INR10/RECR4,INL10/RECL4, INR11/RECR5,INL11/RECL5	Input pin of L/R channel (Input Selector)/ Output pin for L/R channel REC Output

IC BLOCK DIAGRAMS AND TERMINAL DESCRIPTIONS -4

Q4405: CS3318-CQZR (8 Channel Analog Volume Control)

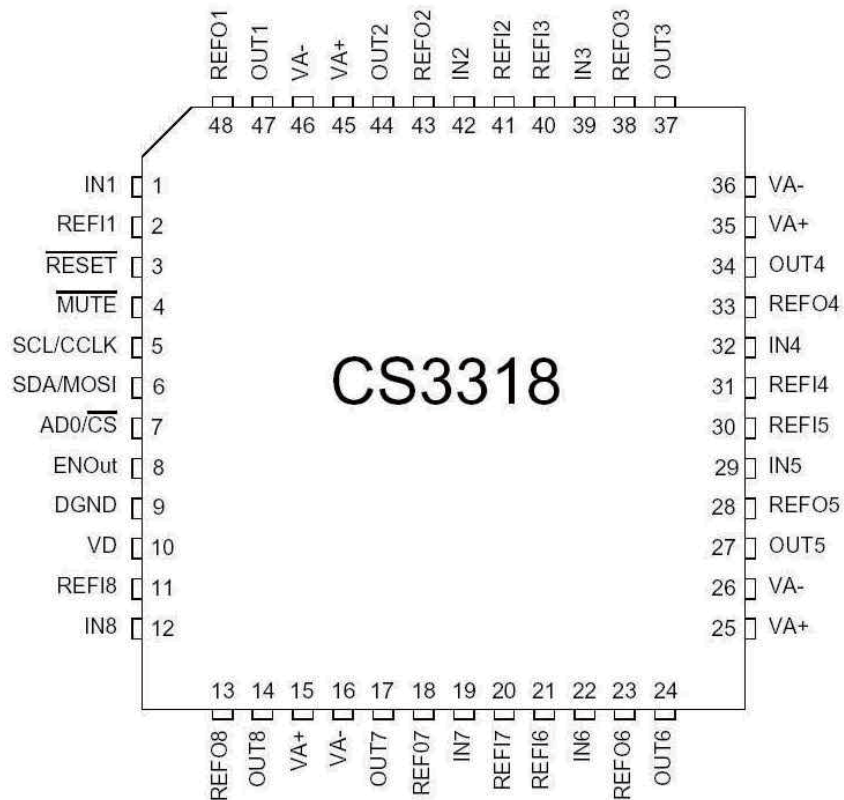
BLOCK DIAGRAM



IC BLOCK DIAGRAMS AND TERMINAL DESCRIPTIONS -5

Q4405: CS3318-CQZR (8 Channel Analog Volume Control)

PIN CONFIGURATION



TERMINAL DESCRIPTION(1/2)

Pin Name	#	Pin Description
IN1	1	
IN2	42	
IN3	39	
IN4	32	Analog Inputs (Input) - The full-scale level is specified in the Analog Characteristics specification table.
IN5	29	
IN6	22	
IN7	19	
IN8	12	

IC BLOCK DIAGRAMS AND TERMINAL DESCRIPTIONS -6

Q4405: CS3318-CQZR (8 Channel Analog Volume Control)

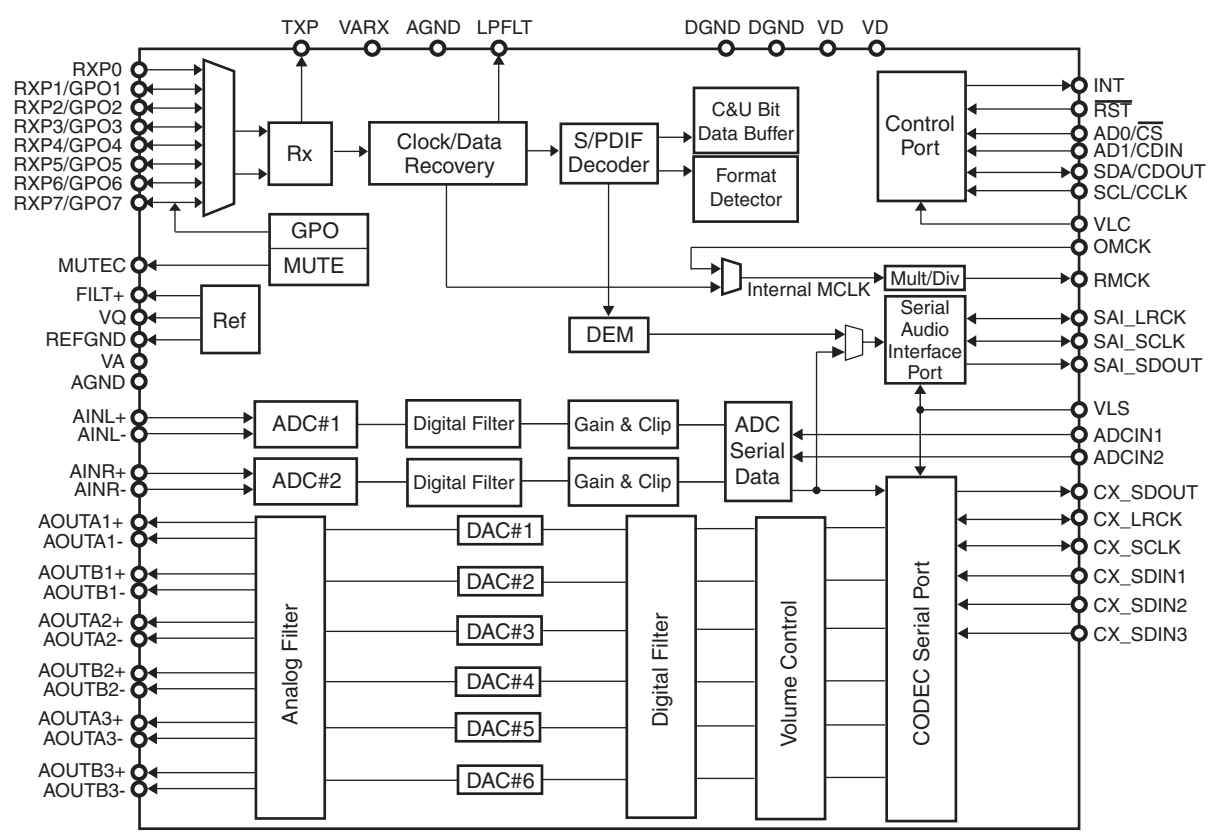
TERMINAL DESCRIPTION(2/2)

Pin Name	#	Pin Description
OUT1	47	
OUT2	44	
OUT3	37	
OUT4	34	Analog Outputs (Output) - The full-scale output level is specified in the Analog Characteristics specification table.
OUT5	27	
OUT6	24	
OUT7	17	
OUT8	14	
REF11	2	
REF12	41	
REF13	40	
REF14	31	Reference In (Input) - Analog reference pin.
REF15	30	
REF16	21	
REF17	20	
REF18	11	
REFO1	48	
REFO2	43	
REFO3	38	
REFO4	33	Reference Out (Output) - Analog reference pin.
REFO5	28	
REFO6	23	
REFO7	18	
REFO8	13	
VA+	15, 25, 35, 45	Positive Analog Power (Input) - Positive power for the internal analog section.
VA-	16, 26, 36, 46	Negative Analog Power (Input) - Negative power for the internal analog section.
$\overline{\text{RESET}}$	3	Reset (Input) - The device enters a low-power mode when this pin is driven low.
$\overline{\text{MUTE}}$	4	Mute (Input) - This pin defaults to an active low mute input, and may be configured as an active high mute input.
SCL/CCLK	5	Serial Control Port Clock (Input) - Serial clock for the serial control port.
SDA/MOSI	6	Serial Control Data (Input/Output) - SDA is a data I/O line for the control port interface in I ² C Mode. MOSI is the input data line for the control port interface in SPI Mode.
AD0/ $\overline{\text{CS}}$	7	Default Address Bit 0 (I²C) / Control Port Chip Select (SPI) (Input) - AD0 sets the LSB of the default chip address in I ² C Mode. $\overline{\text{CS}}$ is the chip-select signal for SPI format.
ENOut	8	Enable Output (Output) - Enable output signal for multi-device serial control chain configuration.
DGND	9	Digital Ground (Input) - Ground reference for the internal digital section.
VD	10	Digital Power (Input) - Positive power for the internal digital section.

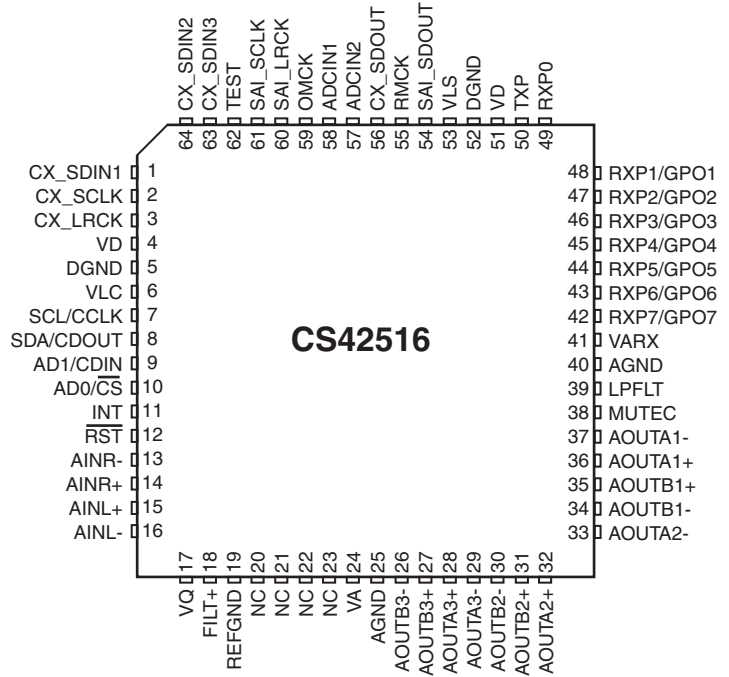
IC BLOCK DIAGRAMS AND TERMINAL DESCRIPTIONS -7

Q3041 : CS42516-CQZ (192 kHz, 6-Ch Codec with S/PDIF Receiver)

BLOCK DIAGRAM



PIN CONFIGURATION



IC BLOCK DIAGRAMS AND TERMINAL DESCRIPTIONS -8

Q3041 : CS42516-CQZ (192 kHz, 6-Ch Codec with S/PDIF Receiver)

TERMINAL DESCRIPTION(1/2)

Pin Name	#	Pin Description
CX_SDIN1	1	
CX_SDIN2	64	Codec Serial Audio Data Input (Input) - Input for two's complement serial audio data.
CX_SDIN3	63	
CX_SCLK	2	CODEC Serial Clock (Input/Output) - Serial clock for the CODEC serial audio interface.
CX_LRCK	3	CODEC Left Right Clock (Input/Output) - Determines which channel, Left or Right, is currently active on the CODEC serial audio data line.
VD	4 51	Digital Power (Input) - Positive power supply for the digital section.
DGND	5 52	Digital Ground (Input) - Ground reference. Should be connected to digital ground.
VLC	6	Control Port Power (Input) - Determines the required signal level for the control port.
SCL/CCLK	7	Serial Control Port Clock (Input) - Serial clock for the serial control port. Requires an external pull-up resistor to the logic interface voltage in I ² C mode as shown in the Typical Connection Diagram.
SDA/CDOUT	8	Serial Control Data (Input/Output) - SDA is a data I/O line in I ² C mode and requires an external pull-up resistor to the logic interface voltage, as shown in the Typical Connection Diagram. CDOUT is the output data line for the control port interface in SPI mode.
AD1/CDIN	9	Address Bit 1 (I²C)/Serial Control Data (SPI) (Input) - AD1 is a chip address pin in I ² C mode; CDIN is the input data line for the control port interface in SPI mode.
AD0/ $\overline{\text{CS}}$	10	Address Bit 0 (I²C)/Control Port Chip Select (SPI) (Input) - AD0 is a chip address pin in I ² C mode; $\overline{\text{CS}}$ is the chip select signal in SPI mode.
INT	11	Interrupt (Output) - The CS42516 will generate an interrupt condition as per the Interrupt Mask register.
$\overline{\text{RST}}$	12	Reset (Input) - The device enters a low power mode and all internal registers are reset to their default settings when low.
AINR-	13	Differential Right Channel Analog Input (Input) - Signals are presented differentially to the delta-sigma modulators via the AINR+/- pins.
AINR+	14	
AINL+	15	Differential Left Channel Analog Input (Input) - Signals are presented differentially to the delta-sigma modulators via the AINL+/- pins.
AINL-	16	
VQ	17	Quiescent Voltage (Output) - Filter connection for internal quiescent reference voltage.
FILT+	18	Positive Voltage Reference (Output) - Positive reference voltage for the internal sampling circuits.
REFGND	19	Reference Ground (Input) - Ground reference for the internal sampling circuits.
	20	
NC	21 22 23	No Connect Pins - Do not make any connection to these pins.
AOUTA1 +,-	36,37	Differential Analog Output (Output) - The full-scale differential analog output level is specified in the Analog Characteristics specification table.
AOUTB1 +,-	35,34	
AOUTA2 +,-	32,33	
AOUTB2 +,-	31,30	
AOUTA3 +,-	28,29	
AOUTB3 +,-	27,26	
VA	24	Analog Power (Input) - Positive power supply for the analog section.
VARX	41	
AGND	25 40	Analog Ground (Input) - Ground reference. Should be connected to analog ground.

IC BLOCK DIAGRAMS AND TERMINAL DESCRIPTIONS -9

Q3041 : CS42516-CQZ (192 kHz, 6-Ch Codec with S/PDIF Receiver)

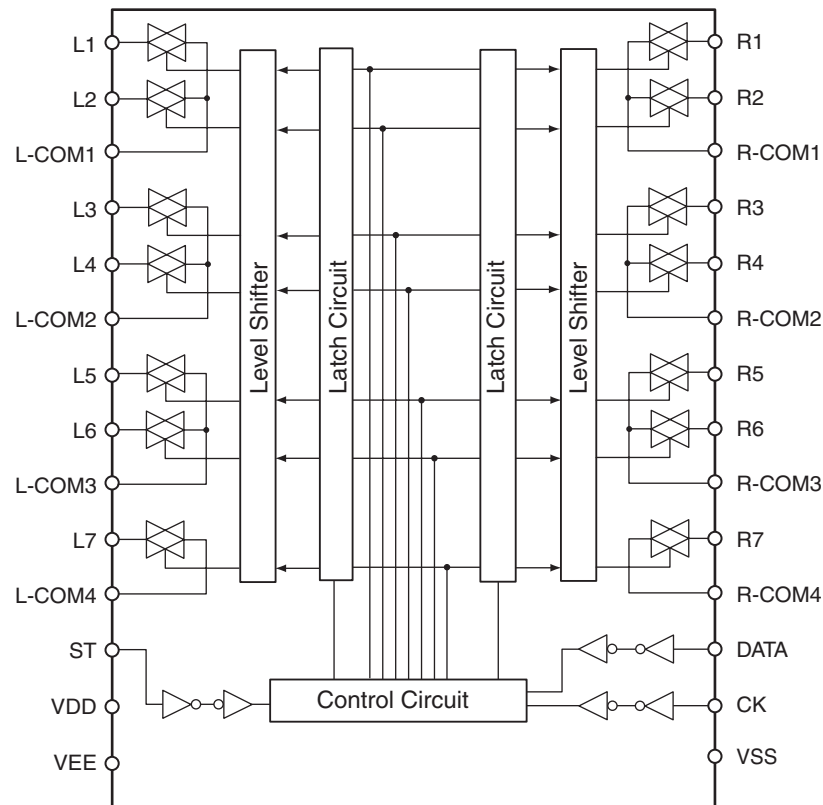
TERMINAL DESCRIPTION(2/2)

Pin Name	#	Pin Description
RXP7/GPO7	42	
RXP6/GPO6	43	S/PDIF Receiver Input/ General Purpose Output (Input/Output) - Receiver inputs for S/PDIF encoded data. The CS42516 has an internal 8:2 multiplexer to select the active receiver port, according to the Receiver Mode Control 2 register. These pins can also be configured as general purpose output pins, ADC Overflow indicators or Mute Control outputs according to the RXP/General Purpose Pin Control registers.
RXP5/GPO5	44	
RXP4/GPO4	45	
RXP3/GPO3	46	
RXP2/GPO2	47	
RXP1/GPO1	48	
RXP0	49	S/PDIF Receiver Input (Input) - Dedicated receiver input for S/PDIF encoded data.
TXP	50	S/PDIF Transmitter Output (Output) - S/PDIF encoded data output, mapped directly from one of the receiver inputs as indicated by the Receiver Mode Control 2 register.
VLS	53	Serial Port Interface Power (Input) - Determines the required signal level for the serial port interfaces.
SAI_SDOUT	54	Serial Audio Interface Serial Data Output (Output) - Output for two's complement serial audio PCM data from the S/PDIF incoming stream. This pin can also be configured to transmit the output of the internal and external ADCs.
RMCK	55	Recovered Master Clock (Output) - Recovered master clock output from the External Clock Reference (OMCK, pin 59) or the PLL which is locked to the incoming S/PDIF stream or CX_LRCK.
CX_SDOUT	56	CODEC Serial Data Output (Output) - Output for two's complement serial audio data from the internal and external ADCs.
ADCIN1	58	External ADC Serial Input (Input) - The CS42516 provides for up to two external stereo analog to digital converter inputs to provide a maximum of six channels on one serial data output line when the CS42516 is placed in One-Line Mode.
ADCIN2	57	
OMCK	59	External Reference Clock (Input) - External clock reference
TEST	62	Test Pin (Input) - This pin must be connected to DGND.
SAI_LRCK	60	Serial Audio Interface Left/Right Clock (Input/Output) - Determines which channel, Left or Right, is currently active on the serial audio data line.
SAI_SCLK	61	Serial Audio Interface Serial Clock (Input/Output) - Serial clock for the Serial Audio Interface.

IC BLOCK DIAGRAMS AND TERMINAL DESCRIPTIONS -10

Q4306: NJU7311AM(Analog Function Switch)

BLOCK DIAGRAM



TERMINAL DESCRIPTION

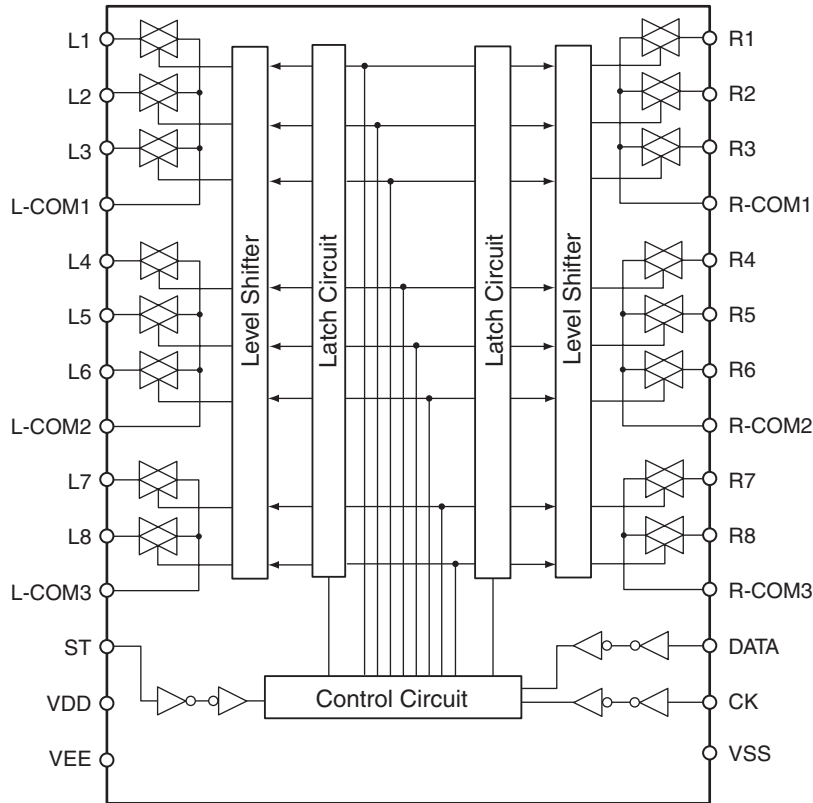
Pin No.	Pin Name	Description
1	VEE	Negative Voltage Supply
2	L1	Analog switch input/output
3	L2	Analog switch input/output
4	L-COM1	L1, L2, Common
5	L3	Analog switch input/output
6	L4	Analog switch input/output
7	L-COM2	L3, L4 common
8	L5	Analog switch input/output
9	L6	Analog switch input/output
10	L-COM3	L5, L6 Common
11	L7	Analog switch input/output
12	L-COM4	L7 Common
14	ST	Chip enable
15	VSS	GND

Pin No.	Pin Name	Description
16	CK	Clock input
17	DATA	Data input
19	R-COM4	R7 Common
20	R7	Analog switch input/output
21	R-COM3	R5, R6 Common
22	R6	Analog switch input/output
23	R5	Analog switch input/output
24	R-COM2	R3, R4 Common
25	R4	Analog switch input/output
26	R3	Analog switch input/output
27	R-COM1	R1, R2, Common
28	R2	Analog switch input/output
29	R1	Analog switch input/output
30	VDD	Positive voltage supply

IC BLOCK DIAGRAMS AND TERMINAL DESCRIPTIONS -11

Q2027, Q4304, Q7181: NJU7312AM(Analog Function Switch)

BLOCK DIAGRAM



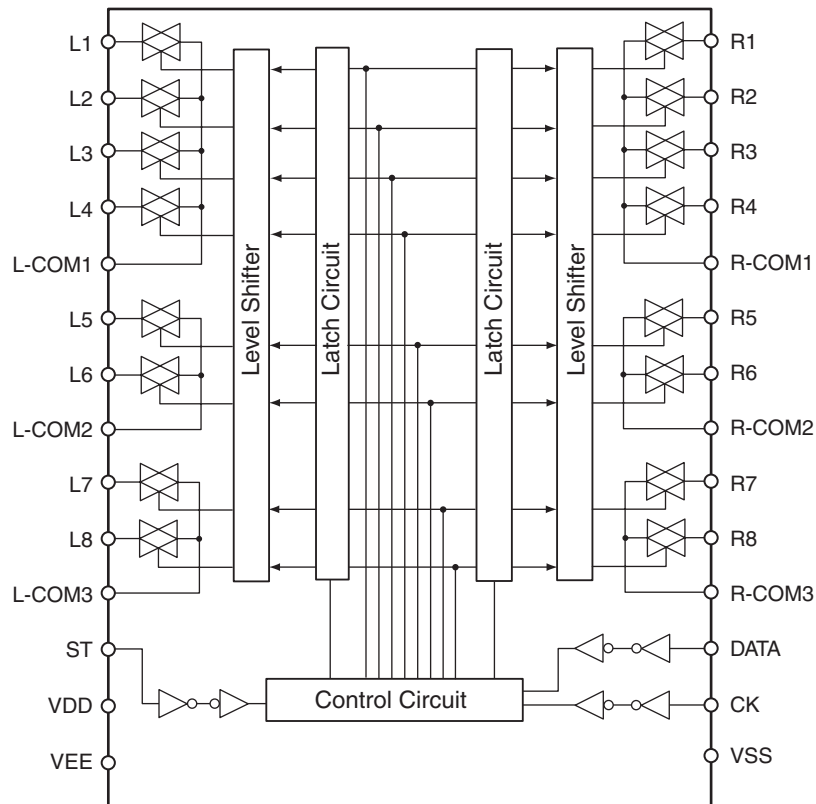
TERMINAL DESCRIPTION

Pin No.	Pin Name	Description	Pin No.	Pin Name	Description
1	VEE	Negative Voltage Supply	16	CK	Clock input/output
2	L1	Analog switch input/output	17	DATA	Data input
3	L2	Analog switch input/output	19	R-COM3	R7, R8 Common
4	L3	Analog switch input/output	20	R8	Analog switch input/output
5	L-COM1	L1, L2, L3 Common	21	R7	Analog switch input/output
6	L4	Analog switch input/output	22	R-COM2	R4, R5, R6 Common
7	L5	Analog switch input/output	23	R6	Analog switch input/output
8	L6	Analog switch input/output	24	R5	Analog switch input/output
9	L-COM2	L4, L5, L6 common	25	R4	Analog switch input/output
10	L7	Analog switch input/output	26	R-COM1	R1, R2, R3 Common
11	L8	Analog switch input/output	27	R3	Analog switch input/output
12	L-COM3	L7, L8 Common	28	R2	Analog switch input/output
14	ST	Chip enable	29	R1	Analog switch input/output
15	VSS	GND	30	VDD	Positive voltage supply

IC BLOCK DIAGRAMS AND TERMINAL DESCRIPTIONS -12

Q4305: NJU7313AM (Analog Function Switch)

BLOCK DI AGRAM



TERMINAL DESCRIPTION

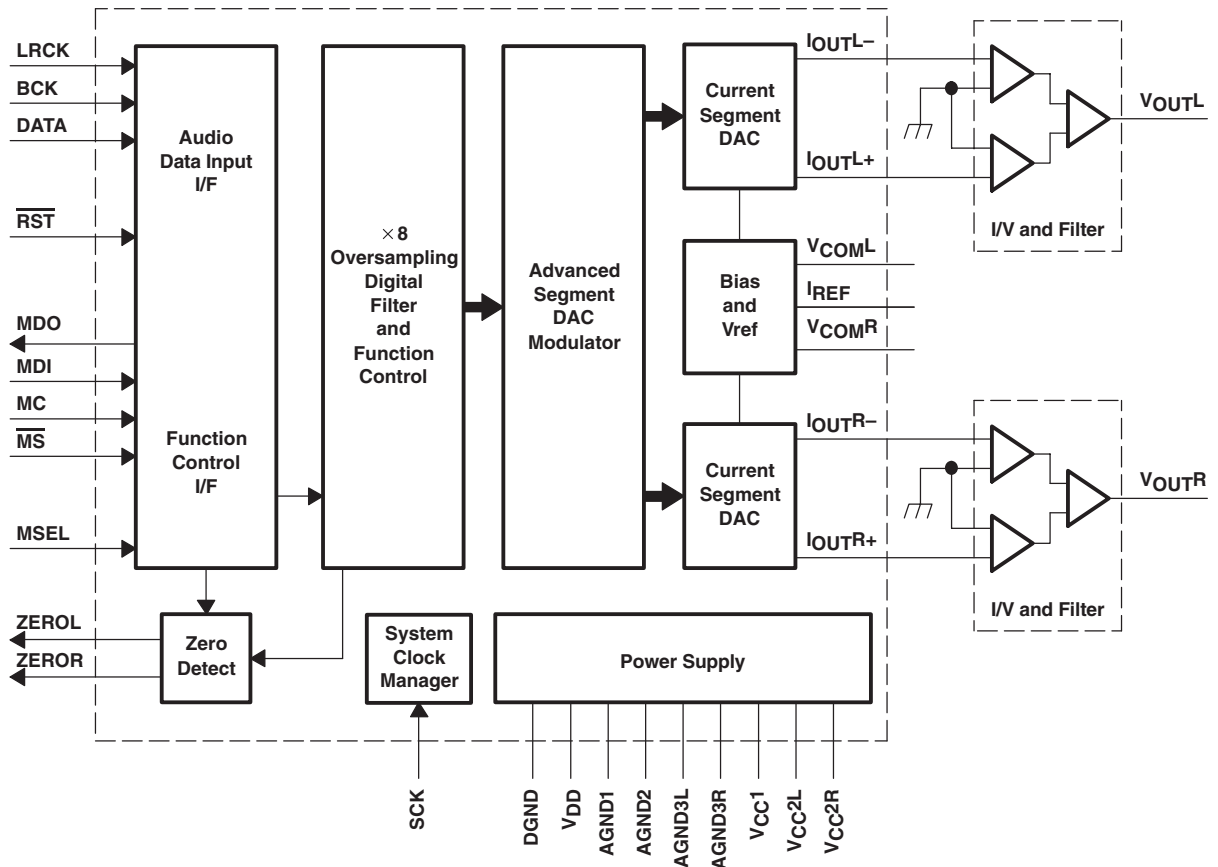
Pin No.	Pin Name	Description
1	VEE	Negative Voltage Supply
2	L1	Analog switch input/output
3	L2	Analog switch input/output
4	L3	Analog switch input/output
5	L4	Analog switch input/output
6	L-COM1	L1, L2, L3, L4 Common
7	L5	Analog switch input/output
8	L6	Analog switch input/output
9	L-COM2	L5, L6 common
10	L7	Analog switch input/output
11	L8	Analog switch input/output
12	L-COM3	L7, L8 Common
14	ST	Chip enable
15	VSS	GND

Pin No.	Pin Name	Description
16	CK	Clock input
17	DATA	Data input
19	R-COM3	R7, R8 Common
20	R8	Analog switch input/output
21	R7	Analog switch input/output
22	R-COM2	R5, R6 Common
23	R6	Analog switch input/output
24	R5	Analog switch input/output
25	R-COM1	R1, R2, R3, R4 Common
26	R4	Analog switch input/output
27	R3	Analog switch input/output
28	R2	Analog switch input/output
29	R1	Analog switch input/output
30	VDD	Positive voltage supply

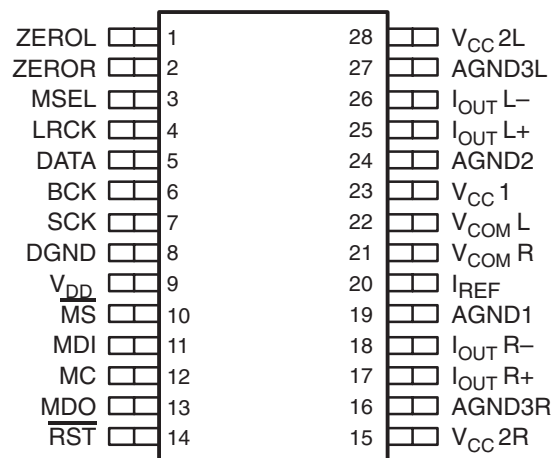
IC BLOCK DIAGRAMS AND TERMINAL DESCRIPTIONS -13

Q3701,Q3721,Q3741,Q3761,Q3781: PCM1796DBR (24 bit, 192 kHz, 2ch DAC)

BLOCK DIAGRAM



PIN CONFIGURATION



IC BLOCK DIAGRAMS AND TERMINAL DESCRIPTIONS -14

Q3701,Q3721,Q3741,Q3761,Q3781: PCM1796DBR (24 bit, 192 kHz, 2ch DAC)

TERMINAL DESCRIPTION

TERMINAL NAME	PIN	I/O	DESCRIPTIONS
AGND1	19	–	Analog ground (internal bias)
AGND2	24	–	Analog ground (internal bias)
AGND3L	27	–	Analog ground (L-channel DACFF)
AGND3R	16	–	Analog ground (R-channel DACFF)
BCK	6	I	Bit clock input ⁽¹⁾
DATA	5	I	Serial audio data input ⁽¹⁾
DGND	8	–	Digital ground
I _{OUTL+}	25	O	L-channel analog current output+
I _{OUTL-}	26	O	L-channel analog current output–
I _{OUTR+}	17	O	R-channel analog current output+
I _{OUTR-}	18	O	R-channel analog current output–
I _{REF}	20	–	Output current reference bias pin
LRCK	4	I	Left and right clock (f _S) input ⁽¹⁾
MC	12	I	Mode control clock input ⁽¹⁾
MDI	11	I	Mode control data input ⁽¹⁾
MDO	13	I/O	Mode control readback data output ⁽³⁾
\overline{MS}	10	I/O	Mode control chip-select input ⁽²⁾
MSEL	3	I	I ² C/SPI select ⁽¹⁾
\overline{RST}	14	I	Reset ⁽¹⁾
SCK	7	I	System clock input ⁽¹⁾
V _{CC1}	23	–	Analog power supply, 5 V
V _{CC2L}	28	–	Analog power supply (L-channel DACFF), 5 V
V _{CC2R}	15	–	Analog power supply (R-channel DACFF), 5 V
V _{COML}	22	–	L-channel internal bias decoupling pin
V _{COMR}	21	–	R-channel internal bias decoupling pin
V _{DD}	9	–	Digital power supply, 3.3 V
ZEROL	1	I/O	Zero flag for L-channel ⁽²⁾
ZEROR	2	I/O	Zero flag for R-channel ⁽²⁾

(1) Schmitt-trigger input, 5-V tolerant

(2) Schmitt-trigger input and output. 5-V tolerant input and CMOS output

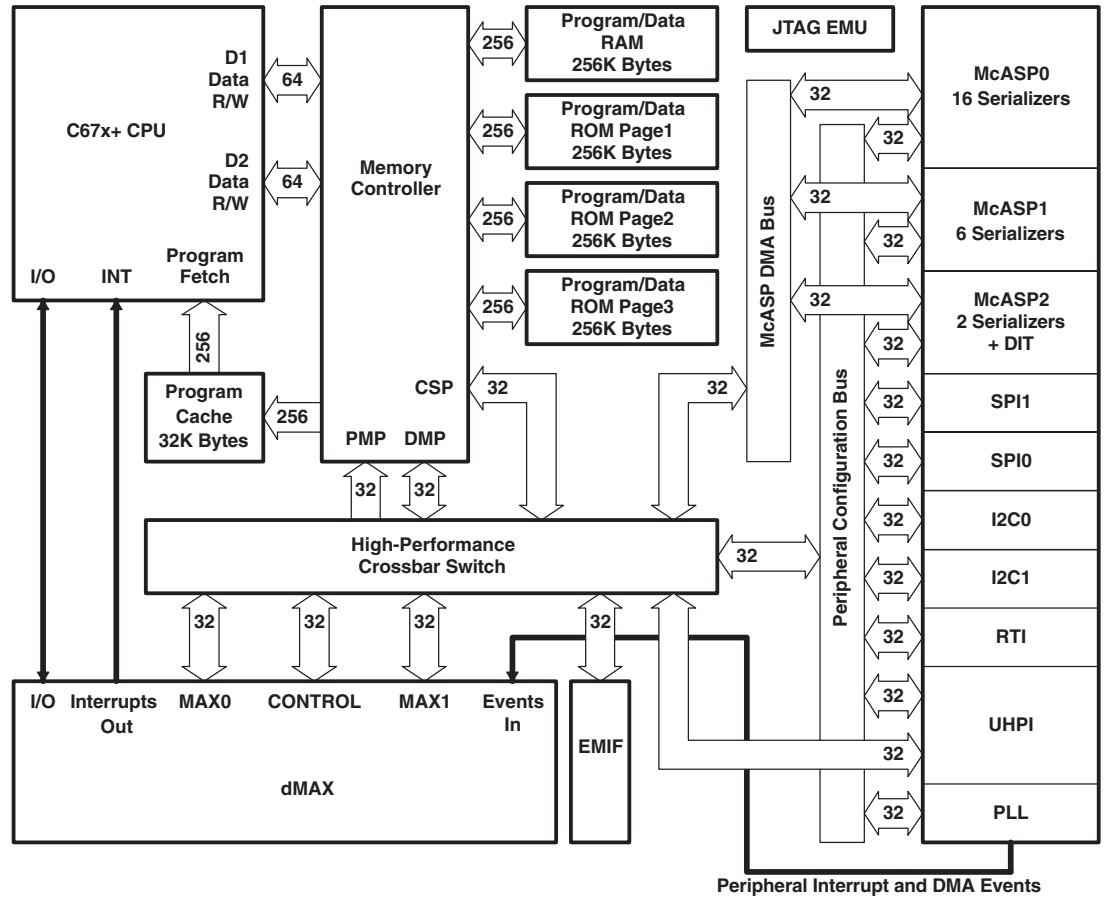
(3) Schmitt-trigger input and output. 5-V tolerant input. In I²C mode, this pin becomes an open-drain 3-state output; otherwise, this pin is a CMOS output.

IC BLOCK DIAGRAMS AND TERMINAL DESCRIPTIONS -15

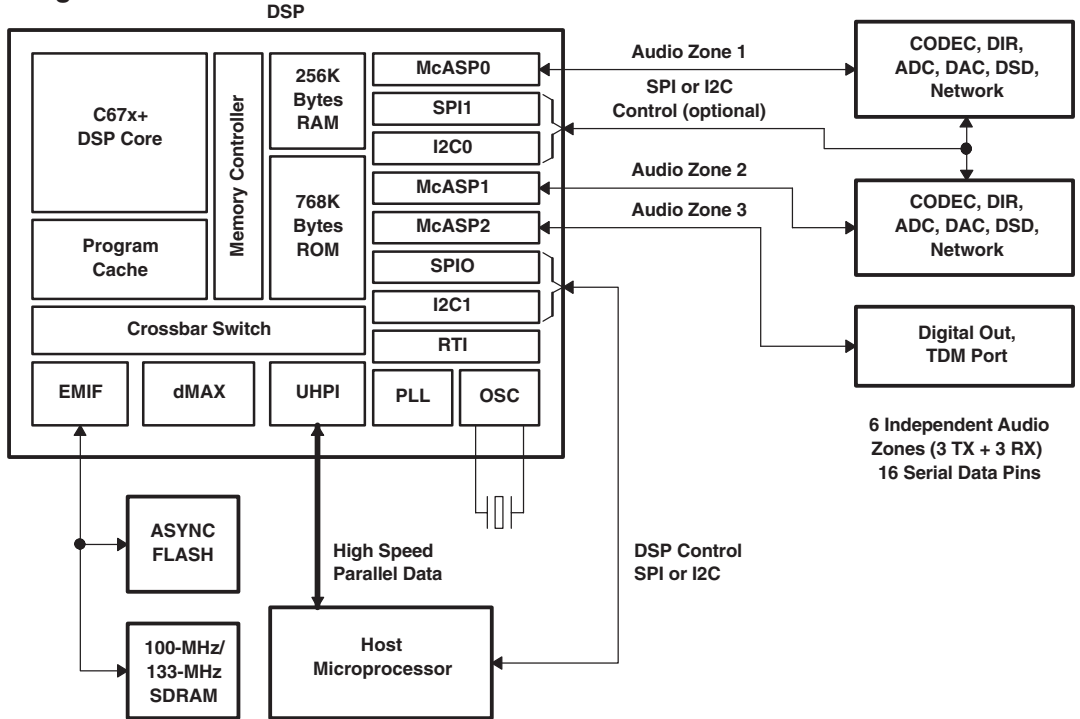
Q3401: D790E001BZDH275/D710E001BZDH275 (Audio DSP)

BLOCK DIAGRAM

Device Block Diagram



System Diagram



IC BLOCK DIAGRAMS AND TERMINAL DESCRIPTIONS -16

Q3401: D790E001BZDH275/D710E001BZDH275 (Audio DSP)

PIN CONFIGURATION(1/2)

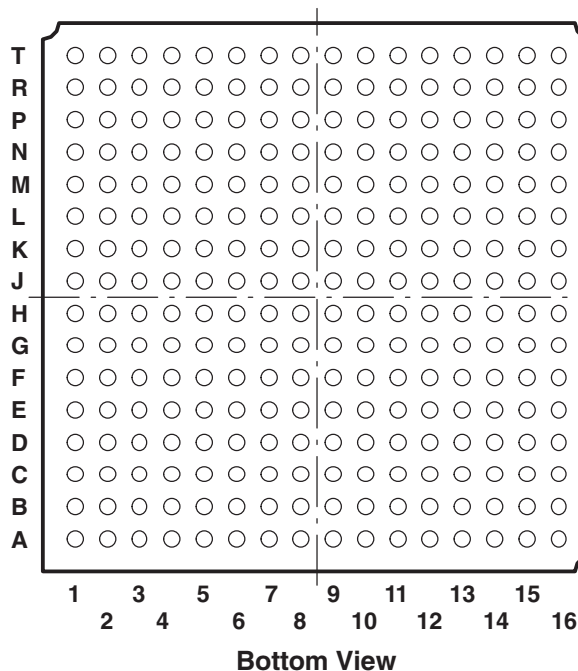
PIN MAP

T	V _{SS}	DV _{DD}	$\overline{\text{EM_WE}}$	EM_D[7]	EM_D[5]	EM_D[3]	V _{SS}	EM_D[0]	EM_D[14]	V _{SS}	EM_D[11]	EM_D[9]	EM $\overline{\text{WE}}$ _DQM[1]	EM_CKE	DV _{DD}	V _{SS}
R	DV _{DD}	EM_D[23] /UHPI_ HA[7]	$\overline{\text{EM_CAS}}$	EM $\overline{\text{WE}}$ _DQM[0]	EM_D[6]	EM_D[4]	EM_D[2]	EM_D[1]	EM_D[15]	EM_D[13]	EM_D[12]	EM_D[10]	EM_D[8]	EM_CLK	EM $\overline{\text{WE}}$ _DQM[3]	DV _{DD}
P	TCK	UHPI_ HD[24]	EM_D[21] /UHPI_ HA[5]	EM_D[20] /UHPI_ HA[4]	EM_D[19] /UHPI_ HA[3]	EM_D[17] /UHPI_ HA[1]	EM_D[31] /UHPI_ HA[15]	DV _{DD}	EM_D[28] /UHPI_ HA[12]	EM_D[26] /UHPI_ HA[10]	EM_D[24] /UHPI_ HA[8]	EM_A[12]	EM $\overline{\text{WE}}$ _DQM[2]	UHPI_ HD[7]	EM_A[11]	EM_A[9]
N	$\overline{\text{EMU}}[1]$	UHPI_ HD[25]	UHPI_ HD[26]	EM_D[22] /UHPI_ HA[6]	DV _{DD}	EM_D[18] /UHPI_ HA[2]	EM_D[16] /UHPI_ HA[0]	EM_D[30] /UHPI_ HA[14]	EM_D[29] /UHPI_ HA[13]	EM_D[27] /UHPI_ HA[11]	EM_D[25] /UHPI_ HA[9]	DV _{DD}	UHPI_ HD[5]	UHPI_ HD[6]	EM_A[8]	EM_A[7]
M	$\overline{\text{EMU}}[0]$	TDO	UHPI_ HD[27]	DV _{DD}	V _{SS}	CV _{DD}	CV _{DD}	CV _{DD}	CV _{DD}	CV _{DD}	CV _{DD}	V _{SS}	DV _{DD}	UHPI_ HD[2]	EM_A[6]	EM_A[5]
L	TDI	UHPI_ HD[30]	UHPI_ HD[28]	UHPI_ HD[29]	V _{SS}	V _{SS}	V _{SS}	V _{SS}	V _{SS}	V _{SS}	V _{SS}	V _{SS}	UHPI_ HD[3]	UHPI_ HD[4]	EM_A[4]	EM_A[3]
K	V _{SS}	PLLHV	TMS	$\overline{\text{TRST}}$	CV _{DD}	V _{SS}	V _{SS}	V _{SS}	V _{SS}	V _{SS}	V _{SS}	CV _{DD}	UHPI_ HD[0]	UHPI_ HD[1]	EM_A[2]	V _{SS}
J	OSCV _{SS}	OSCIN	OSCOU	OSCV _{DD}	CV _{DD}	V _{SS}	V _{SS}	V _{SS}	V _{SS}	V _{SS}	V _{SS}	CV _{DD}	UHPI_ HD[15]	DV _{DD}	EM_A[1]	EM_A[0]
H	UHPI_ HD[16] /HHWIL	CLKIN	V _{SS}	UHPI_ HD[31]	CV _{DD}	V _{SS}	V _{SS}	V _{SS}	V _{SS}	V _{SS}	V _{SS}	CV _{DD}	UHPI_ HD[14]	UHPI_ HD[13]	EM_A[10]	EM_BA[1]
G	V _{SS}	$\overline{\text{RESET}}$	UHPI_ HD[17]	UHPI_ HD[18]	CV _{DD}	V _{SS}	V _{SS}	V _{SS}	V _{SS}	V _{SS}	V _{SS}	CV _{DD}	UHPI_ HD[12]	UHPI_ HD[11]	EM_BA[0]	V _{SS}
F	AFSR1	AFSX1	UHPI_ HD[19]	UHPI_ HD[20]	V _{SS}	V _{SS}	V _{SS}	V _{SS}	V _{SS}	V _{SS}	V _{SS}	V _{SS}	UHPI_ HD[10]	UHPI_ HD[9]	$\overline{\text{EM_CS}}[0]$	$\overline{\text{EM_RAS}}$
E	ACLKR1	ACLKX1	UHPI_ HD[21]	DV _{DD}	V _{SS}	CV _{DD}	CV _{DD}	CV _{DD}	CV _{DD}	CV _{DD}	CV _{DD}	V _{SS}	DV _{DD}	UHPI_ HD[8]	$\overline{\text{EM_CS}}[2]$	EM $\overline{\text{RW}}$
D	AHCLKX1	AMUTE1	UHPI_ HD[22]	DV _{DD}	DV _{DD}	$\overline{\text{UHPI_HRDY}}$	$\overline{\text{UHPI_HDS}}[1]$	UHPI_ HRW	UHPI_ HCNTL[0]	AMUTE2/ HINT	ACLKX2	DV _{DD}	DV _{DD}	EM_WAIT	$\overline{\text{EM_OE}}$	SPI0_ENA /I2C1_ SDA
C	AMUTE0	AHCLKX0 /AHCLKX2	UHPI_ HD[23]	$\overline{\text{UHPI_HBE}}[2]$	$\overline{\text{UHPI_HBE}}[1]$	$\overline{\text{UHPI_HBE}}[0]$	$\overline{\text{UHPI_HDS}}[2]$	$\overline{\text{UHPI_HCS}}$	$\overline{\text{UHPI_HAS}}$	UHPI_ HCNTL[1]	AFSX2	AFSR2	ACLKR2	AHCLKR2	SPI0_SCS /I2C1_ SCL	SPI0_CLK /I2C0_ SCL
B	DV _{DD}	$\overline{\text{UHPI_HBE}}[3]$	AHCLKR0 /AHCLKR1	AFSR0	AXR0[15] /AXR2[0]	AXR0[13] /AXR1[0]	AXR0[12] /AXR1[1]	AXR0[10] /AXR1[3]	AXR0[8] /AXR1[5] /SPI1_ SOMI	AXR0[7] /SPI1_ CLK	AXR0[5] /SPI1_ SCS	AXR0[3]	AXR0[1]	SPI0_SOMI /I2C0_ SDA	SPI0_SIMO	DV _{DD}
A	V _{SS}	DV _{DD}	AFSX0	ACLKX0	ACLKR0	AXR0[14] /AXR2[1]	V _{SS}	AXR0[11] /AXR1[2]	AXR0[9] /AXR1[4] /SPI1_ SIMO	V _{SS}	AXR0[6] /SPI1_ ENA	AXR0[4]	AXR0[2]	AXR0[0]	DV _{DD}	V _{SS}
	1	2	3	4	5	6	7	8	9	10	11	12	13	14	15	16

IC BLOCK DIAGRAMS AND TERMINAL DESCRIPTIONS -17

Q3401: D790E001BZDH275/D710E001BZDH275 (Audio DSP)

PIN CONFIGURATION(2/2)



TERMINAL DESCRIPTION(1/5)

SIGNAL NAME	BALL NO.	TYPE ⁽¹⁾	PULL ⁽²⁾	GPIO ⁽³⁾	DESCRIPTION
Clocks					
OSCIN	J2	I	-	N	1.2-V Oscillator Input
OSCOUT	J3	O	-	N	1.2-V Oscillator Output
OSCV _{DD}	J4	PWR	-	N	Oscillator 1.2-V V _{DD} tap point (for filter only)
OSCV _{SS}	J1	PWR	-	N	Oscillator V _{SS} tap point (for filter only)
CLKIN	H2	I	-	N	Alternate clock input (3.3-V LVCMOS Input)
PLLHV	K2	PWR	-	N	PLL 3.3-V Supply Input (requires external filter)
Device Reset					
RESET	G2	I	-	N	Device reset pin
Emulation/JTAG Port					
TCK	P1	I	IPU	N	Test Clock
TMS	K3	I	IPU	N	Test Mode Select
TDI	L1	I	IPU	N	Test Data In
TDO	M2	OZ	IPU	N	Test Data Out
TRST	K4	I	IPD	N	Test Reset
EMU[0]	M1	IO	IPU	N	Emulation Pin 0
EMU[1]	N1	IO	IPU	N	Emulation Pin 1
Power Pins					
Core Supply (CV _{DD})	E6, E7, E8, E9, E10, E11, G5, G12, H5, H12, J5, J12, K5, K12, M6, M7, M8, M9, M10, M11				
IO Supply (DV _{DD})	A2, A15, B1, B16, D4, D5, D12, D13, E4, E13, J14, M4, M13, N5, N12, P8, R1, R16, T2, T15				
Ground (V _{SS})	A1, A7, A10, A16, E5, E12, F5, F6, F7, F8, F9, F10, F11, F12, G1, G6, G7, G8, G9, G10, G11, G16, H3, H6, H7, H8, H9, H10, H11, J6, J7, J8, J9, J10, J11, K1, K6, K7, K8, K9, K10, K11, K16, L5, L6, L7, L8, L9, L10, L11, L12, M5, M12, T1, T7, T10, T16				

IC BLOCK DIAGRAMS AND TERMINAL DESCRIPTIONS -18

Q3401: D790E001BZDH275/D710E001BZDH275 (Audio DSP)

TERMINAL DESCRIPTION(2/5)

SIGNAL NAME	BALL NO.	TYPE ⁽¹⁾	PULL ⁽²⁾	GPIO ⁽³⁾	DESCRIPTION
External Memory Interface (EMIF) Address and Control					
EM_A[0]	J16	O	-	N	EMIF Address Bus
EM_A[1]	J15	O	-	N	
EM_A[2]	K15	O	-	N	
EM_A[3]	L16	O	-	N	
EM_A[4]	L15	O	-	N	
EM_A[5]	M16	O	-	N	
EM_A[6]	M15	O	-	N	
EM_A[7]	N16	O	-	N	
EM_A[8]	N15	O	-	N	
EM_A[9]	P16	O	-	N	
EM_A[10]	H15	O	-	N	
EM_A[11]	P15	O	-	N	
EM_A[12]	P12	O	IPD	N	
EM_BA[0]	G15	O	-	N	SDRAM Bank Address and Asynchronous Memory Low-Order Address
EM_BA[1]	H16	O	-	N	
EM_CS[0]	F15	O	-	N	SDRAM Chip Select
EM_CS[2]	E15	O	-	N	Asynchronous Memory Chip Select
EM_CAS	R3	O	-	N	SDRAM Column Address Strobe
EM_RAS	F16	O	-	N	SDRAM Row Address Strobe
EM_WE	T3	O	-	N	SDRAM Write Enable
EM_CKE	T14	O	-	N	SDRAM Clock Enable
EM_CLK	R14	O	-	N	SDRAM Clock
EM_WE_DQM[0]	R4	O	-	N	Write Enable or Byte Enable for EM_D[7:0]
EM_WE_DQM[1]	T13	O	-	N	Write Enable or Byte Enable for EM_D[15:8]
EM_WE_DQM[2]	P13	O	IPU	N	Write Enable or Byte Enable for EM_D[23:16]
EM_WE_DQM[3]	R15	O	IPU	N	Write Enable or Byte Enable for EM_D[31:24]
EM_OE	D15	O	-	N	SDRAM Output Enable
EM_RW	E16	O	-	N	Asynchronous Memory Read/not Write
EM_WAIT	D14	I	IPU	N	Asynchronous Wait Input (Programmable Polarity) or Interrupt (NAND)

- (1) TYPE column refers to pin direction in functional mode. If a pin has more than one function with different directions, the functions are separated with a slash (/).
- (2) PULL column:
IPD = Internal Pulldown resistor
IPU = Internal Pullup resistor
- (3) If the GPIO column is 'Y', then in GPIO mode, the pin is configurable as an IO unless otherwise marked.

IC BLOCK DIAGRAMS AND TERMINAL DESCRIPTIONS -19

Q3401: D790E001BZDH275/D710E001BZDH275 (Audio DSP)

TERMINAL DESCRIPTION(3/5)

SIGNAL NAME	BALL NO.	TYPE ⁽¹⁾	PULL ⁽²⁾	GPIO ⁽³⁾	DESCRIPTION
External Memory Interface (EMIF) Data Bus / Universal Host-Port Interface (UHPI) Address Bus Option					
EM_D[0]	T8	IO	-	N	EMIF Data Bus [Lower 16 Bits]
EM_D[1]	R8	IO	-	N	
EM_D[2]	R7	IO	-	N	
EM_D[3]	T6	IO	-	N	
EM_D[4]	R6	IO	-	N	
EM_D[5]	T5	IO	-	N	
EM_D[6]	R5	IO	-	N	
EM_D[7]	T4	IO	-	N	
EM_D[8]	R13	IO	-	N	
EM_D[9]	T12	IO	-	N	
EM_D[10]	R12	IO	-	N	
EM_D[11]	T11	IO	-	N	
EM_D[12]	R11	IO	-	N	
EM_D[13]	R10	IO	-	N	
EM_D[14]	T9	IO	-	N	
EM_D[15]	R9	IO	-	N	
EM_D[16]/UHPI_HA[0]	N7	IO/I	IPD	N	EMIF Data Bus [Upper 16 Bits (IO)] or UHPI Address Input (I)
EM_D[17]/UHPI_HA[1]	P6	IO/I	IPD	N	
EM_D[18]/UHPI_HA[2]	N6	IO/I	IPD	N	
EM_D[19]/UHPI_HA[3]	P5	IO/I	IPD	N	
EM_D[20]/UHPI_HA[4]	P4	IO/I	IPD	N	
EM_D[21]/UHPI_HA[5]	P3	IO/I	IPD	N	
EM_D[22]/UHPI_HA[6]	N4	IO/I	IPD	N	
EM_D[23]/UHPI_HA[7]	R2	IO/I	IPD	N	
EM_D[24]/UHPI_HA[8]	P11	IO/I	IPD	N	
EM_D[25]/UHPI_HA[9]	N11	IO/I	IPD	N	
EM_D[26]/UHPI_HA[10]	P10	IO/I	IPD	N	
EM_D[27]/UHPI_HA[11]	N10	IO/I	IPD	N	
EM_D[28]/UHPI_HA[12]	P9	IO/I	IPD	N	
EM_D[29]/UHPI_HA[13]	N9	IO/I	IPD	N	
EM_D[30]/UHPI_HA[14]	N8	IO/I	IPD	N	
EM_D[31]/UHPI_HA[15]	P7	IO/I	IPD	N	

IC BLOCK DIAGRAMS AND TERMINAL DESCRIPTIONS -20

Q3401: D790E001BZDH275/D710E001BZDH275 (Audio DSP)

TERMINAL DESCRIPTION(4/5)

SIGNAL NAME	BALL NO.	TYPE ⁽¹⁾	PULL ⁽²⁾	GPIO ⁽³⁾	DESCRIPTION
Universal Host-Port Interface (UHPI) Data and Control					
UHPI_HD[0]	K13	IO	IPD	Y	UHPI Data Bus [Lower 16 Bits]
UHPI_HD[1]	K14	IO	IPD	Y	
UHPI_HD[2]	M14	IO	IPD	Y	
UHPI_HD[3]	L13	IO	IPD	Y	
UHPI_HD[4]	L14	IO	IPD	Y	
UHPI_HD[5]	N13	IO	IPD	Y	
UHPI_HD[6]	N14	IO	IPD	Y	
UHPI_HD[7]	P14	IO	IPD	Y	
UHPI_HD[8]	E14	IO	IPD	Y	
UHPI_HD[9]	F14	IO	IPD	Y	
UHPI_HD[10]	F13	IO	IPD	Y	
UHPI_HD[11]	G14	IO	IPD	Y	
UHPI_HD[12]	G13	IO	IPD	Y	
UHPI_HD[13]	H14	IO	IPD	Y	
UHPI_HD[14]	H13	IO	IPD	Y	
UHPI_HD[15]	J13	IO	IPD	Y	
UHPI_HD[16]/HHWIL	H1	IO/I	IPD	Y	UHPI Data Bus [Upper 16 Bits (IO)] in the following modes: <ul style="list-style-type: none"> • Fullword Multiplexed Address and Data • Fullword Non-Multiplexed UHPI_HHWIL (I) on pin UHPI_HD[16]/HHWIL and GPIO on other pins in the following mode: <ul style="list-style-type: none"> • Half-word Multiplexed Address and Data In this mode, UHPI_HHWIL indicates whether the high or low half-word is being addressed.
UHPI_HD[17]	G3	IO	IPD	Y	
UHPI_HD[18]	G4	IO	IPD	Y	
UHPI_HD[19]	F3	IO	IPD	Y	
UHPI_HD[20]	F4	IO	IPD	Y	
UHPI_HD[21]	E3	IO	IPD	Y	
UHPI_HD[22]	D3	IO	IPD	Y	
UHPI_HD[23]	C3	IO	IPD	Y	
UHPI_HD[24]	P2	IO	IPD	Y	
UHPI_HD[25]	N2	IO	IPD	Y	
UHPI_HD[26]	N3	IO	IPD	Y	
UHPI_HD[27]	M3	IO	IPD	Y	
UHPI_HD[28]	L3	IO	IPD	Y	
UHPI_HD[29]	L4	IO	IPD	Y	
UHPI_HD[30]	L2	IO	IPD	Y	
UHPI_HD[31]	H4	IO	IPD	Y	
Universal Host-Port Interface (UHPI) Control					
UHPI_HBE[0]	C6	I	IPD	Y	UHPI Byte Enable for UHPI_HD[7:0]
UHPI_HBE[1]	C5	I	IPD	Y	UHPI Byte Enable for UHPI_HD[15:8]
UHPI_HBE[2]	C4	I	IPD	Y	UHPI Byte Enable for UHPI_HD[23:16]
UHPI_HBE[3]	B2	I	IPD	Y	UHPI Byte Enable for UHPI_HD[31:24]
UHPI_HCNTL[0]	D9	I	IPD	Y	UHPI Control Inputs Select Access Mode
UHPI_HCNTL[1]	C10	I	IPD	Y	
UHPI_HAS	C9	I	IPD	Y	UHPI Host Address Strobe for Hosts with Multiplexed Address/Data bus
UHPI_HRW	D8	I	IPD	Y	UHPI Read/not Write Input
UHPI_HDS[1]	D7	I	IPU	Y	UHPI Select Signals which create the internal HSTROBE active when:
UHPI_HDS[2]	C7	I	IPU	Y	
UHPI_HCS	C8	I	IPU	Y	(UHPI_HCS == '0') & (UHPI_HDS[1] != UHPI_HDS[2])
UHPI_HRDY	D6	O	IPD	Y	UHPI Ready Output

IC BLOCK DIAGRAMS AND TERMINAL DESCRIPTIONS -21

Q3401: D790E001BZDH275/D710E001BZDH275 (Audio DSP)

TERMINAL DESCRIPTION(5/5)

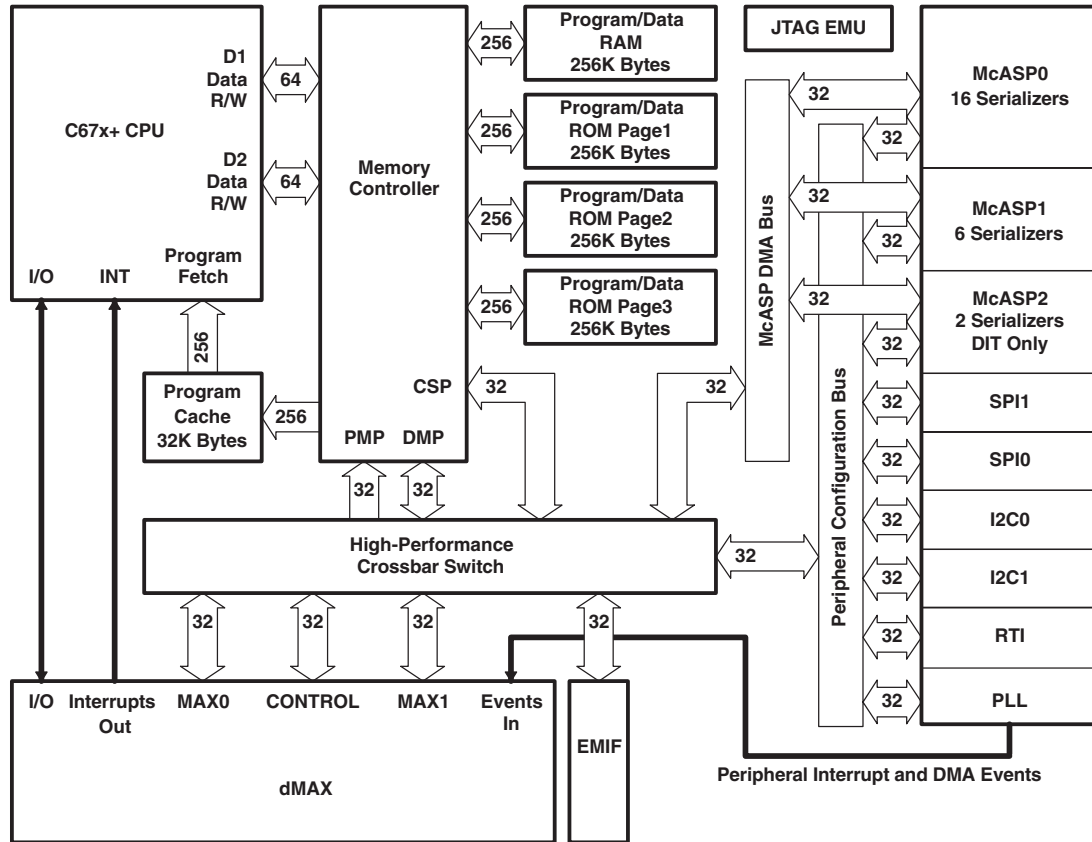
SIGNAL NAME	BALL NO.	TYPE ⁽¹⁾	PULL ⁽²⁾	GPIO ⁽³⁾	DESCRIPTION
McASP0, McASP1, McASP2, and SPI1 Serial Ports					
AHCLKR0/AHCLKR1	B3	IO	-	Y	McASP0 and McASP1 Receive Master Clock
ACLKR0	A5	IO	-	Y	McASP0 Receive Bit Clock
AFSR0	B4	IO	-	Y	McASP0 Receive Frame Sync (L/R Clock)
AHCLKX0/AHCLKX2	C2	IO	-	Y	McASP0 and McASP2 Transmit Master Clock
ACLKX0	A4	IO	-	Y	McASP0 Transmit Bit Clock
AFSX0	A3	IO	-	Y	McASP0 Transmit Frame Sync (L/R Clock)
AMUTE0	C1	O	-	Y	McASP0 MUTE Output
AXR0[0]	A14	IO	-	Y	McASP0 Serial Data 0
AXR0[1]	B13	IO	-	Y	McASP0 Serial Data 1
AXR0[2]	A13	IO	-	Y	McASP0 Serial Data 2
AXR0[3]	B12	IO	-	Y	McASP0 Serial Data 3
AXR0[4]	A12	IO	-	Y	McASP0 Serial Data 4
AXR0[5]/SPI1_SCS	B11	IO	-	Y	McASP0 Serial Data 5 or SPI1 Slave Chip Select
AXR0[6]/SPI1_ENA	A11	IO	-	Y	McASP0 Serial Data 6 or SPI1 Enable (Ready)
AXR0[7]/SPI1_CLK	B10	IO	-	Y	McASP0 Serial Data 7 or SPI1 Serial Clock
AXR0[8]/AXR1[5]/SPI1_SOMI	B9	IO	-	Y	McASP0 Serial Data 8 or McASP1 Serial Data 5 or SPI1 Data Pin Slave Out Master In
AXR0[9]/AXR1[4]/SPI1_SIMO	A9	IO	-	Y	McASP0 Serial Data 9 or McASP1 Serial Data 4 or SPI1 Data Pin Slave In Master Out
AXR0[10]/AXR1[3]	B8	IO	-	Y	McASP0 Serial Data 10 or McASP1 Serial Data 3
AXR0[11]/AXR1[2]	A8	IO	-	Y	McASP0 Serial Data 11 or McASP1 Serial Data 2
AXR0[12]/AXR1[1]	B7	IO	-	Y	McASP0 Serial Data 12 or McASP1 Serial Data 1
AXR0[13]/AXR1[0]	B6	IO	-	Y	McASP0 Serial Data 13 or McASP1 Serial Data 0
AXR0[14]/AXR2[1]	A6	IO	-	Y	McASP0 Serial Data 14 or McASP2 Serial Data 1
AXR0[15]/AXR2[0]	B5	IO	-	Y	McASP0 Serial Data 15 or McASP2 Serial Data 0
ACLKR1	E1	IO	-	Y	McASP1 Receive Bit Clock
AFSR1	F1	IO	-	Y	McASP1 Receive Frame Sync (L/R Clock)
AHCLKX1	D1	IO	-	Y	McASP1 Transmit Master Clock
ACLKX1	E2	IO	-	Y	McASP1 Transmit Bit Clock
AFSX1	F2	IO	-	Y	McASP1 Transmit Frame Sync (L/R Clock)
AMUTE1	D2	O	-	Y	McASP1 MUTE Output
AHCLKR2	C14	IO	IPD	Y	McASP2 Receive Master Clock
ACLKR2	C13	IO	IPD	Y	McASP2 Receive Bit Clock
AFSR2	C12	IO	IPD	Y	McASP2 Receive Frame Sync (L/R Clock)
ACLKX2	D11	IO	IPD	Y	McASP2 Transmit Bit Clock
AFSX2	C11	IO	IPD	Y	McASP2 Transmit Frame Sync (L/R Clock)
AMUTE2/HINT	D10	O	IPD	Y	McASP2 MUTE Output or UHPI Host Interrupt
SPI0, I2C0, and I2C1 Serial Port Pins					
SPI0_SOMI/I2C0_SDA	B14	IO	-	Y	SPI0 Data Pin Slave Out Master In or I2C0 Serial Data
SPI0_SIMO	B15	IO	-	Y	SPI0 Data Pin Slave In Master Out
SPI0_CLK/I2C0_SCL	C16	IO	-	Y	SPI0 Serial Clock or I2C0 Serial Clock
SPI0_SCS/I2C1_SCL	C15	IO	-	Y	SPI0 Slave Chip Select or I2C1 Serial Clock
SPI0_ENA/I2C1_SDA	D16	IO	-	Y	SPI0 Enable (Ready) or I2C1 Serial Data

IC BLOCK DIAGRAMS AND TERMINAL DESCRIPTIONS -22

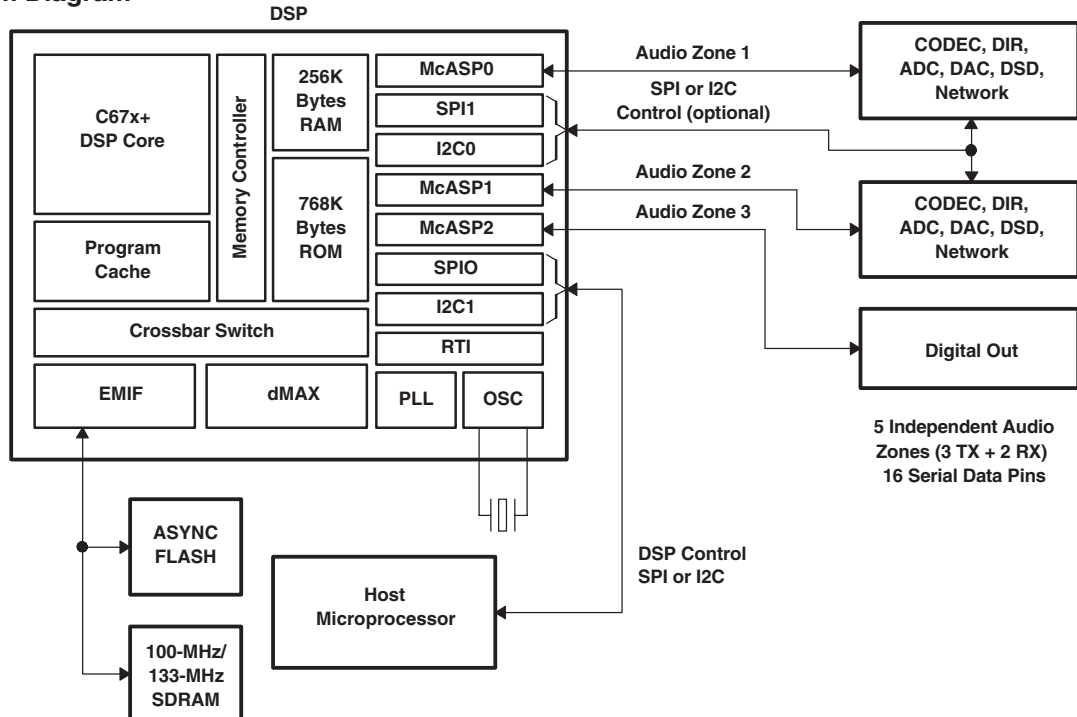
Q3501: D788E001BRFP266/D708E001BRFP266 (Audio DSP)

BLOCK DIAGRAM

Device Block Diagram



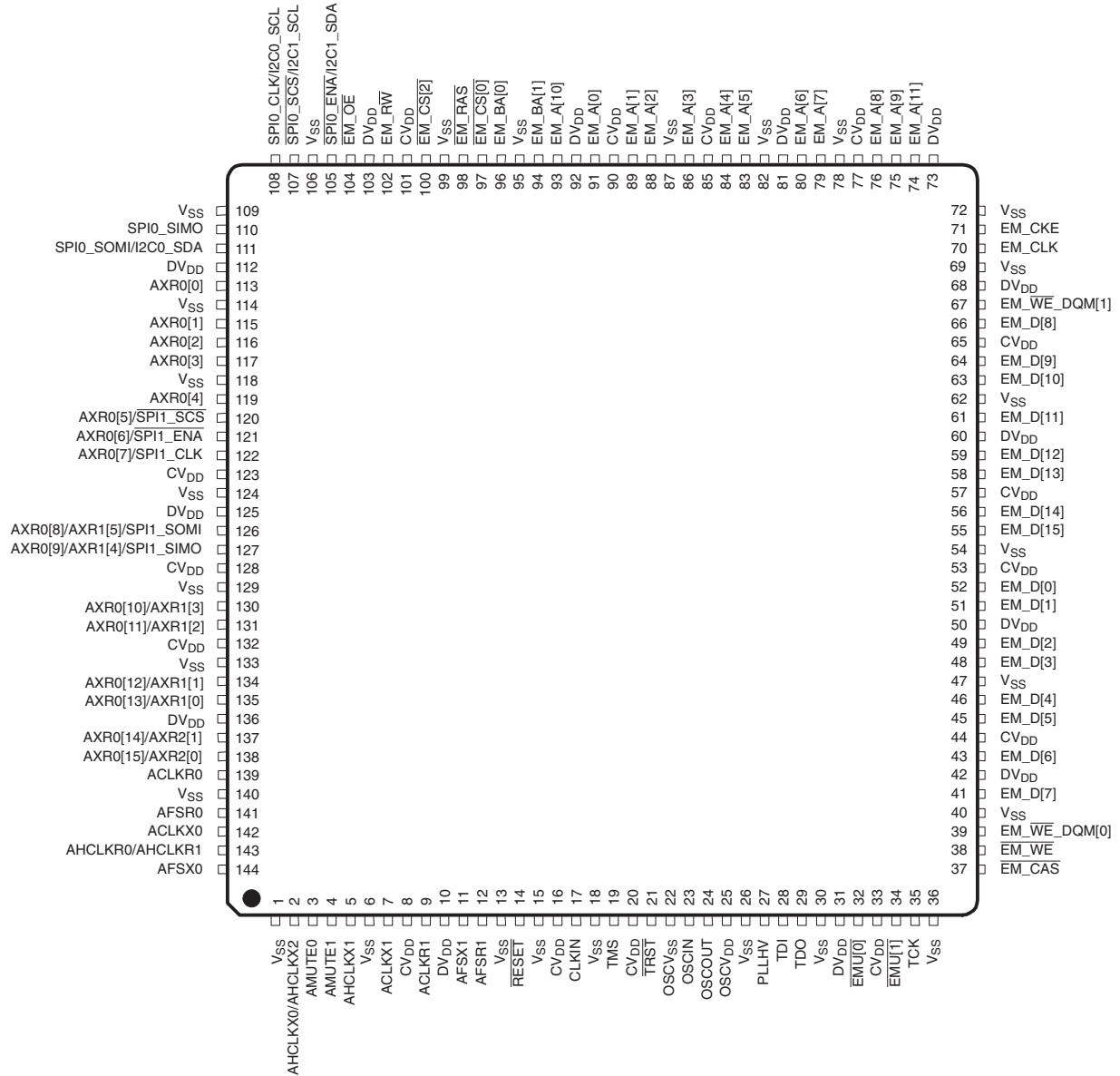
System Diagram



IC BLOCK DIAGRAMS AND TERMINAL DESCRIPTIONS -23

Q3501: D788E001BRFP266/D708E001BRFP266 (Audio DSP)

PIN CONFIGURATION



IC BLOCK DIAGRAMS AND TERMINAL DESCRIPTIONS -24

Q3501: D788E001BRFP266/D708E001BRFP266 (Audio DSP)

TERMINAL DESCRIPTION(1/3)

SIGNAL NAME	PIN NO.	TYPE ⁽¹⁾	PULL ⁽²⁾	GPIO ⁽³⁾	DESCRIPTION
External Memory Interface (EMIF) Address and Control					
EM_A[0]	91	O	-	N	EMIF Address Bus
EM_A[1]	89	O	-	N	
EM_A[2]	88	O	-	N	
EM_A[3]	86	O	-	N	
EM_A[4]	84	O	-	N	
EM_A[5]	83	O	-	N	
EM_A[6]	80	O	-	N	
EM_A[7]	79	O	-	N	
EM_A[8]	76	O	-	N	
EM_A[9]	75	O	-	N	
EM_A[10]	93	O	-	N	
EM_A[11]	74	O	-	N	
EM_BA[0]	96	O	-	N	SDRAM Bank Address and Asynchronous Memory Low-Order Address
EM_BA[1]	94	O	-	N	
EM_CS[0]	97	O	-	N	SDRAM Chip Select
EM_CS[2]	100	O	-	N	Asynchronous Memory Chip Select
EM_CAS	37	O	-	N	SDRAM Column Address Strobe
EM_RAS	98	O	-	N	SDRAM Row Address Strobe
EM_WE	38	O	-	N	SDRAM Write Enable
EM_CKE	71	O	-	N	SDRAM Clock Enable
EM_CLK	70	O	-	N	SDRAM Clock
EM_WE_DQM[0]	39	O	-	N	Write Enable or Byte Enable for EM_D[7:0]
EM_WE_DQM[1]	67	O	-	N	Write Enable or Byte Enable for EM_D[15:8]
EM_OE	104	O	-	N	SDRAM Output Enable
EM_RW	102	O	-	N	Asynchronous Memory Read/not Write

- (1) TYPE column refers to pin direction in functional mode. If a pin has more than one function with different directions, the functions are separated with a slash (/).
- (2) PULL column:
 IPD = Internal Pulldown resistor
 IPU = Internal Pullup resistor
- (3) If the GPIO column is 'Y', then in GPIO mode, the pin is configurable as an IO unless otherwise marked.

IC BLOCK DIAGRAMS AND TERMINAL DESCRIPTIONS -25

Q3501: D788E001BRFP266/D708E001BRFP266 (Audio DSP)

TERMINAL DESCRIPTION(2/3)

SIGNAL NAME	PIN NO.	TYPE ⁽¹⁾	PULL ⁽²⁾	GPIO ⁽³⁾	DESCRIPTION
McASP0, McASP1, McASP2, and SPI1 Serial Ports					
AHCLKR0/AHCLKR1	143	IO	-	Y	McASP0 and McASP1 Receive Master Clock
ACLKR0	139	IO	-	Y	McASP0 Receive Bit Clock
AFSR0	141	IO	-	Y	McASP0 Receive Frame Sync (L/R Clock)
AHCLKX0/AHCLKX2	2	IO	-	Y	McASP0 and McASP2 Transmit Master Clock
ACLKX0	142	IO	-	Y	McASP0 Transmit Bit Clock
AFSX0	144	IO	-	Y	McASP0 Transmit Frame Sync (L/R Clock)
AMUTE0	3	O	-	Y	McASP0 MUTE Output
AXR0[0]	113	IO	-	Y	McASP0 Serial Data 0
AXR0[1]	115	IO	-	Y	McASP0 Serial Data 1
AXR0[2]	116	IO	-	Y	McASP0 Serial Data 2
AXR0[3]	117	IO	-	Y	McASP0 Serial Data 3
AXR0[4]	119	IO	-	Y	McASP0 Serial Data 4
AXR0[5]/SPI1_SCS	120	IO	-	Y	McASP0 Serial Data 5 or SPI1 Slave Chip Select
AXR0[6]/SPI1_ENA	121	IO	-	Y	McASP0 Serial Data 6 or SPI1 Enable (Ready)
AXR0[7]/SPI1_CLK	122	IO	-	Y	McASP0 Serial Data 7 or SPI1 Serial Clock
AXR0[8]/AXR1[5]/SPI1_SOMI	126	IO	-	Y	McASP0 Serial Data 8 or McASP1 Serial Data 5 or SPI1 Data Pin Slave Out Master In
AXR0[9]/AXR1[4]/SPI1_SIMO	127	IO	-	Y	McASP0 Serial Data 9 or McASP1 Serial Data 4 or SPI1 Data Pin Slave In Master Out
AXR0[10]/AXR1[3]	130	IO	-	Y	McASP0 Serial Data 10 or McASP1 Serial Data 3
AXR0[11]/AXR1[2]	131	IO	-	Y	McASP0 Serial Data 11 or McASP1 Serial Data 2
AXR0[12]/AXR1[1]	134	IO	-	Y	McASP0 Serial Data 12 or McASP1 Serial Data 1
AXR0[13]/AXR1[0]	135	IO	-	Y	McASP0 Serial Data 13 or McASP1 Serial Data 0
AXR0[14]/AXR2[1]	137	IO	-	Y	McASP0 Serial Data 14 or McASP2 Serial Data 1
AXR0[15]/AXR2[0]	138	IO	-	Y	McASP0 Serial Data 15 or McASP2 Serial Data 0
ACLKR1	9	IO	-	Y	McASP1 Receive Bit Clock
AFSR1	12	IO	-	Y	McASP1 Receive Frame Sync (L/R Clock)
AHCLKX1	5	IO	-	Y	McASP1 Transmit Master Clock
ACLKX1	7	IO	-	Y	McASP1 Transmit Bit Clock
AFSX1	11	IO	-	Y	McASP1 Transmit Frame Sync (L/R Clock)
AMUTE1	4	O	-	Y	McASP1 MUTE Output
SPI0, I2C0, and I2C1 Serial Port Pins					
SPI0_SOMI/I2C0_SDA	111	IO	-	Y	SPI0 Data Pin Slave Out Master In or I2C0 Serial Data
SPI0_SIMO	110	IO	-	Y	SPI0 Data Pin Slave In Master Out
SPI0_CLK/I2C0_SCL	108	IO	-	Y	SPI0 Serial Clock or I2C0 Serial Clock
SPI0_SCS/I2C1_SCL	107	IO	-	Y	SPI0 Slave Chip Select or I2C1 Serial Clock
SPI0_ENA/I2C1_SDA	105	IO	-	Y	SPI0 Enable (Ready) or I2C1 Serial Data

IC BLOCK DIAGRAMS AND TERMINAL DESCRIPTIONS -26

Q3501: D788E001BRFP266/D708E001BRFP266 (Audio DSP)

TERMINAL DESCRIPTION(3/3)

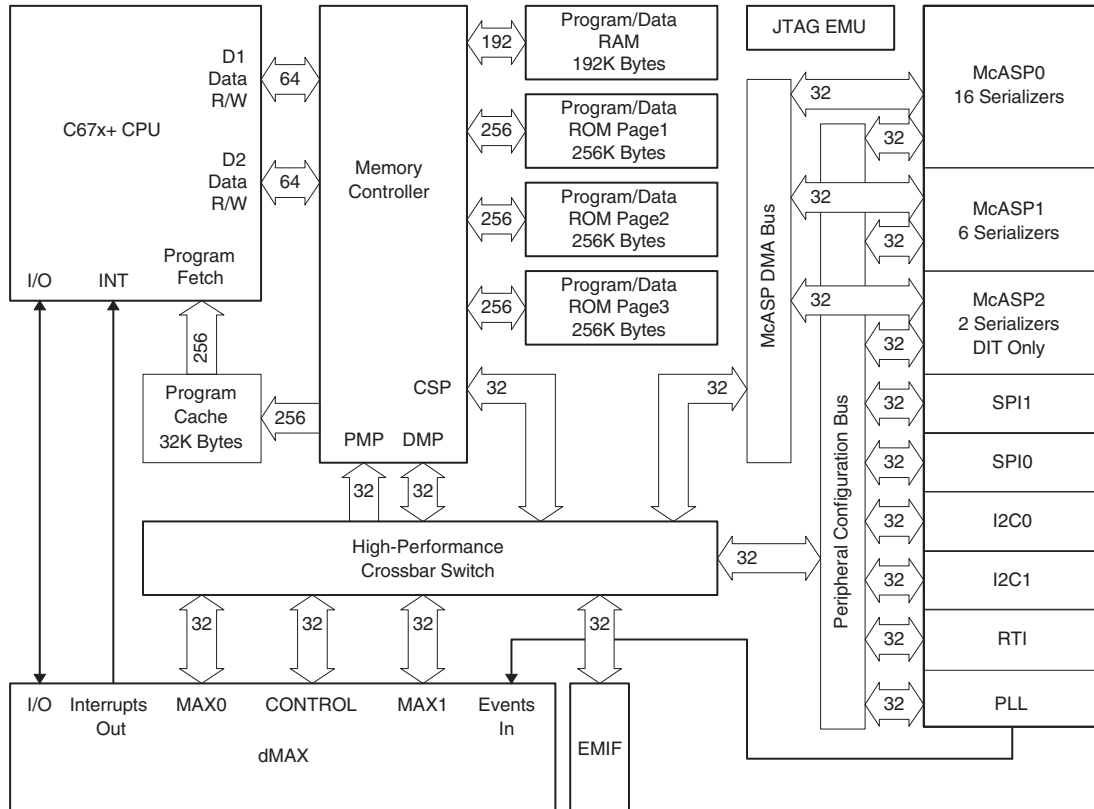
SIGNAL NAME	PIN NO.	TYPE ⁽¹⁾	PULL ⁽²⁾	GPIO ⁽³⁾	DESCRIPTION
External Memory Interface (EMIF) Data Bus					
EM_D[0]	52	IO	-	N	EMIF Data Bus [Lower 16 Bits]
EM_D[1]	51	IO	-	N	
EM_D[2]	49	IO	-	N	
EM_D[3]	48	IO	-	N	
EM_D[4]	46	IO	-	N	
EM_D[5]	45	IO	-	N	
EM_D[6]	43	IO	-	N	
EM_D[7]	41	IO	-	N	
EM_D[8]	66	IO	-	N	
EM_D[9]	64	IO	-	N	
EM_D[10]	63	IO	-	N	
EM_D[11]	61	IO	-	N	
EM_D[12]	59	IO	-	N	
EM_D[13]	58	IO	-	N	
EM_D[14]	56	IO	-	N	
EM_D[15]	55	IO	-	N	

SIGNAL NAME	PIN NO.	TYPE ⁽¹⁾	PULL ⁽²⁾	GPIO ⁽³⁾	DESCRIPTION
Clocks					
OSCIN	23	I	-	N	1.2-V Oscillator Input
OSCOUT	24	O	-	N	1.2-V Oscillator Output
OSCV _{DD}	25	PWR	-	N	Oscillator 1.2-V V _{DD} tap point (for filter only)
OSCV _{SS}	22	PWR	-	N	Oscillator V _{SS} tap point (for filter only)
CLKIN	17	I	-	N	Alternate clock input (3.3-V LVCMOS Input)
PLLHV	27	PWR	-	N	PLL 3.3-V Supply Input (requires external filter)
Device Reset					
RESET	14	I	-	N	Device reset pin
Emulation/JTAG Port					
TCK	35	I	IPU	N	Test Clock
TMS	19	I	IPU	N	Test Mode Select
TDI	28	I	IPU	N	Test Data In
TDO	29	OZ	IPU	N	Test Data Out
TRST	21	I	IPD	N	Test Reset
EMU[0]	32	IO	IPU	N	Emulation Pin 0
EMU[1]	34	IO	IPU	N	Emulation Pin 1
Power Pins					
Core Supply (CV _{DD})	8, 16, 20, 33, 44, 53, 57, 65, 77, 85, 90, 101, 123, 128, 132				
IO Supply (DV _{DD})	10, 31, 42, 50, 60, 68, 73, 81, 92, 103, 112, 125, 136				
Ground (V _{SS})	1, 6, 13, 15, 18, 26, 30, 36, 40, 47, 54, 62, 69, 72, 78, 82, 87, 95, 99, 106, 109, 114, 118, 124, 129, 133, 140				

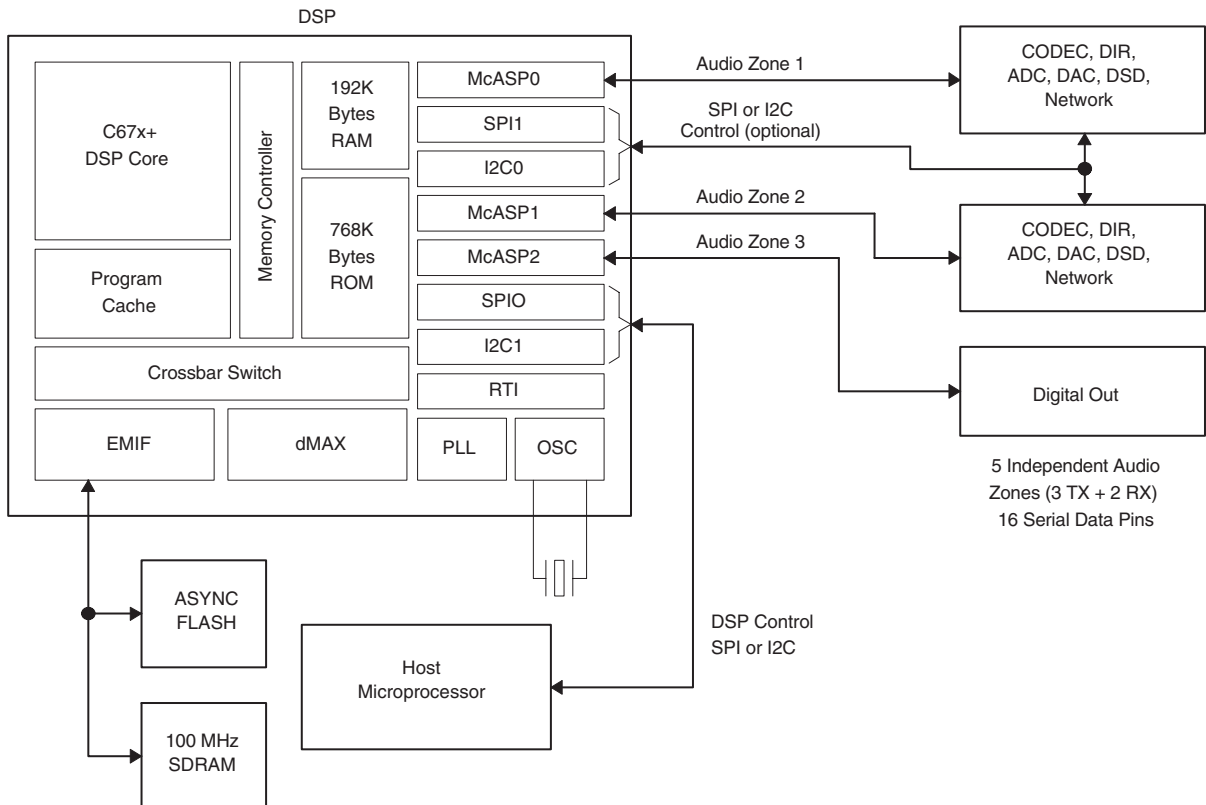
IC BLOCK DIAGRAMS AND TERMINAL DESCRIPTIONS -27

Q3601 : D707E001BRFP250 (32 bit Floating-Point Digital Signal Processor)

BLOCK DIAGRAM



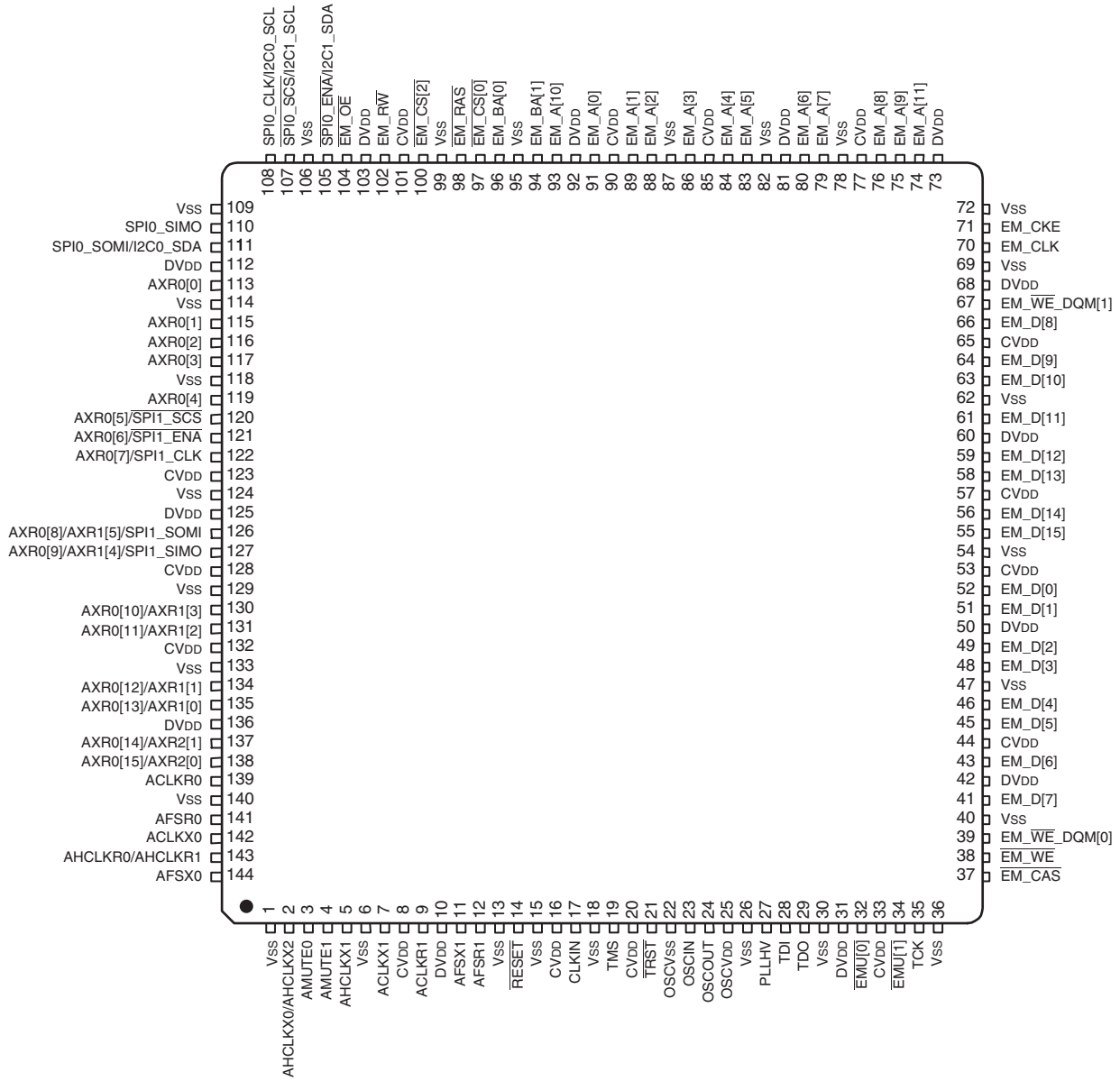
SYSTEM DIAGRAM



IC BLOCK DIAGRAMS AND TERMINAL DESCRIPTIONS -28

Q3601 : D707E001BRFP250 (32 bit Floating-Point Digital Signal Processor)

PIN CONFIGURATION



IC BLOCK DIAGRAMS AND TERMINAL DESCRIPTIONS -29

Q3601 : D707E001BRFP250 (32 bit Floating-Point Digital Signal Processor)

TERMINAL DESCRIPTION(1/3)

SIGNAL NAME	PIN NO.	TYPE	DESCRIPTION
External Memory Interface (EMIF) Address and Control			
EM_A[0]	91	O	EMIF Address Bus
EM_A[1]	89	O	
EM_A[2]	88	O	
EM_A[3]	86	O	
EM_A[4]	84	O	
EM_A[5]	83	O	
EM_A[6]	80	O	
EM_A[7]	79	O	
EM_A[8]	76	O	
EM_A[9]	75	O	
EM_A[10]	93	O	
EM_A[11]	74	O	
EM_BA[0]	96	O	SDRAM Bank Address and Asynchronous Memory Low-Order Address
EM_BA[1]	94	O	
EM_CS[0]	97	O	SDRAM Chip Select
EM_CS[2]	100	O	Asynchronous Memory Chip Select
EM_CAS	37	O	SDRAM Column Address Strobe
EM_RAS	98	O	SDRAM Row Address Strobe
EM_WE	38	O	SDRAM Write Enable
EM_CKE	71	O	SDRAM Clock Enable
EM_CLK	70	O	SDRAM Clock
EM_WE_DQM[0]	39	O	Write Enable or Byte Enable for EM_D[7:0]
EM_WE_DQM[1]	67	O	Write Enable or Byte Enable for EM_D[15:8]
EM_OE	104	O	SDRAM Output Enable
EM_RW	102	O	Asynchronous Memory Read/not Write
External Memory Interface (EMIF) Data Bus			
EM_D[0]	52	IO	EMIF Data Bus [Lower 16 Bits]
EM_D[1]	51	IO	
EM_D[2]	49	IO	
EM_D[3]	48	IO	
EM_D[4]	46	IO	
EM_D[5]	45	IO	
EM_D[6]	43	IO	
EM_D[7]	41	IO	
EM_D[8]	66	IO	
EM_D[9]	64	IO	
EM_D[10]	63	IO	
EM_D[11]	61	IO	
EM_D[12]	59	IO	
EM_D[13]	58	IO	
EM_D[14]	56	IO	
EM_D[15]	55	IO	

IC BLOCK DIAGRAMS AND TERMINAL DESCRIPTIONS -30

Q3601 : D707E001BRFP250 (32 bit Floating-Point Digital Signal Processor)

TERMINAL DESCRIPTION(2/3)

SIGNAL NAME	PIN NO.	TYPE	DESCRIPTION
McASP0, McASP1, McASP2, and SPI1 Serial Ports			
AHCLKR0/AHCLKR1	143	IO	McASP0 and McASP1 Receive Master Clock
ACLKR0	139	IO	McASP0 Receive Bit Clock
AFSR0	141	IO	McASP0 Receive Frame Sync (L/R Clock)
AHCLKX0/AHCLKX2	2	IO	McASP0 and McASP2 Transmit Master Clock
ACLKX0	142	IO	McASP0 Transmit Bit Clock
AFSX0	144	IO	McASP0 Transmit Frame Sync (L/R Clock)
AMUTE0	3	O	McASP0 MUTE Output
AXR0[0]	113	IO	McASP0 Serial Data 0
AXR0[1]	115	IO	McASP0 Serial Data 1
AXR0[2]	116	IO	McASP0 Serial Data 2
AXR0[3]	117	IO	McASP0 Serial Data 3
AXR0[4]	119	IO	McASP0 Serial Data 4
AXR0[5]/SPI1_SCS	120	IO	McASP0 Serial Data 5 or SPI1 Slave Chip Select
AXR0[6]/SPI1_ENA	121	IO	McASP0 Serial Data 6 or SPI1 Enable (Ready)
AXR0[7]/SPI1_CLK	122	IO	McASP0 Serial Data 7 or SPI1 Serial Clock
AXR0[8]/AXR1[5]/SPI1_SOMI	126	IO	McASP0 Serial Data 8 or McASP1 Serial Data 5 or SPI1 Data Pin Slave Out Master In
AXR0[9]/AXR1[4]/SPI1_SIMO	127	IO	McASP0 Serial Data 9 or McASP1 Serial Data 4 or SPI1 Data Pin Slave In Master Out
AXR0[10]/AXR1[3]	130	IO	McASP0 Serial Data 10 or McASP1 Serial Data 3
AXR0[11]/AXR1[2]	131	IO	McASP0 Serial Data 11 or McASP1 Serial Data 2
AXR0[12]/AXR1[1]	134	IO	McASP0 Serial Data 12 or McASP1 Serial Data 1
AXR0[13]/AXR1[0]	135	IO	McASP0 Serial Data 13 or McASP1 Serial Data 0
AXR0[14]/AXR2[1]	137	IO	McASP0 Serial Data 14 or McASP2 Serial Data 1
AXR0[15]/AXR2[0]	138	IO	McASP0 Serial Data 15 or McASP2 Serial Data 0
ACLKR1	9	IO	McASP1 Receive Bit Clock
AFSR1	12	IO	McASP1 Receive Frame Sync (L/R Clock)
AHCLKX1	5	IO	McASP1 Transmit Master Clock
ACLKX1	7	IO	McASP1 Transmit Bit Clock
AFSX1	11	IO	McASP1 Transmit Frame Sync (L/R Clock)
AMUTE1	4	O	McASP1 MUTE Output
SPI0, I2C0, and I2C1 Serial Port Pins			
SPI0_SOMI/I2C0_SDA	111	IO	SPI0 Data Pin Slave Out Master In or I2C0 Serial Data
SPI0_SIMO	110	IO	SPI0 Data Pin Slave In Master Out
SPI0_CLK/I2C0_SCL	108	IO	SPI0 Serial Clock or I2C0 Serial Clock
SPI0_SCS/I2C1_SCL	107	IO	SPI0 Slave Chip Selector I2C1 Serial Clock
SPI0_ENA/I2C1_SDA	105	IO	SPI0 Enable (Ready) or I2C1 Serial Data

IC BLOCK DIAGRAMS AND TERMINAL DESCRIPTIONS -31

Q3601 : D707E001BRFP250 (32 bit Floating-Point Digital Signal Processor)

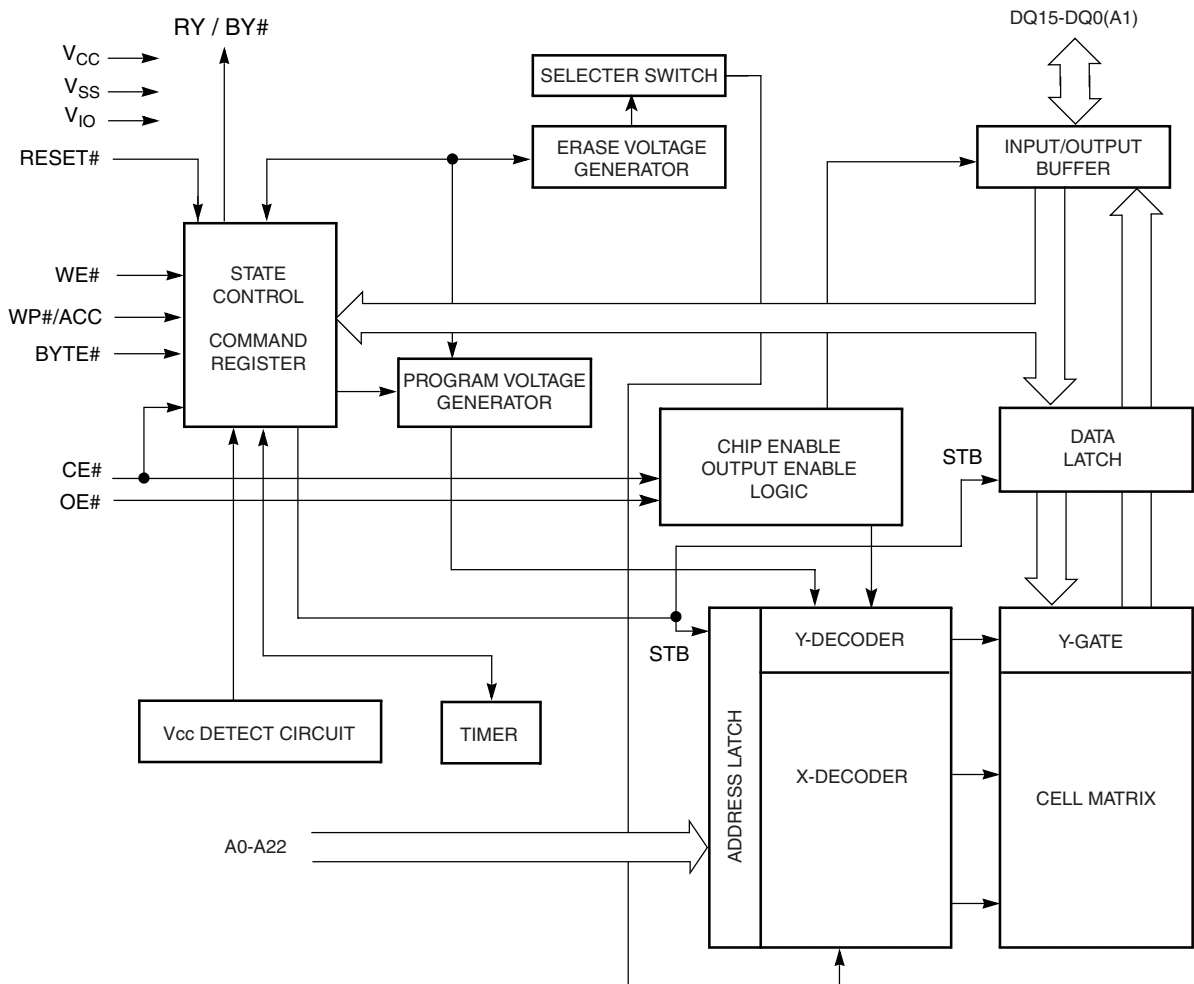
TERMINAL DESCRIPTION(3/3)

SIGNAL NAME	PIN NO.	TYPE	DESCRIPTION
Clocks			
OSCIN	23	I	1.2-V OscillatorInput
OSCOU	24	O	1.2-V OscillatorOutput
OSCVDD	25	PWR	Oscillator 1.2-V VDD tap point (for filter only)
OSCVSS	22	PWR	Oscillator VSS tap point (for filter only)
CLKIN	17	I	Alternate clock input (3.3-V LVCMOS Input)
PLLHV	27	PWR	PLL 3.3-V Supply Input (requires external filter)
Device Reset			
RESET	14	I	Device reset pin
Emulation/JTAG Port			
TCK	35	I	Test Clock
TMS	19	I	Test Mode Select
TDI	28	I	Test Data In
TDO	29	OZ	Test Data Out
TRST	21	I	Test Reset
EMU[0]	32	IO	Emulation Pin 0
EMU[1]	34	IO	Emulation Pin 1
Power Pins			
Core Supply (CVDD)	8, 16, 20, 33, 44, 53, 57, 65, 77, 85, 90, 101, 123, 128, 132		
IO Supply (DVDD)	10, 31, 42, 50, 60, 68, 73, 81, 92, 103, 112, 125, 136		
Ground (VSS)	1, 6, 13, 15, 18, 26, 30, 36, 40, 47, 54, 62, 69, 72, 78, 82, 87, 95, 99, 106, 109, 114, 118, 124, 129, 133, 140		

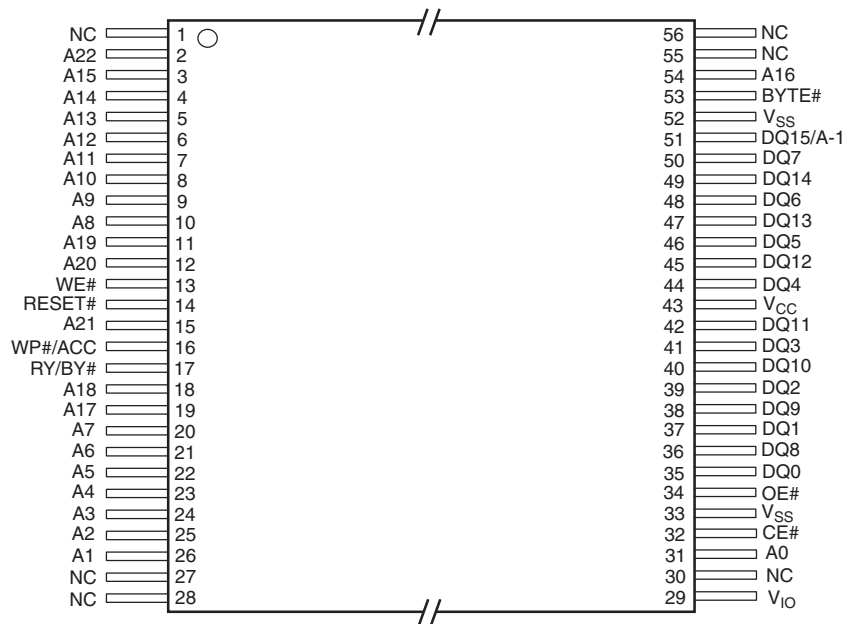
IC BLOCK DIAGRAMS AND TERMINAL DESCRIPTIONS -32

U8031: S29GL128N (128 Mbit Flash Memory)

BLOCK DIAGRAM



PIN CONFIGURATION



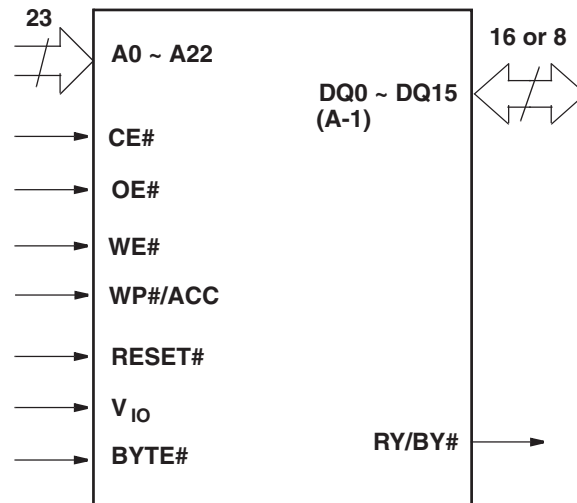
IC BLOCK DIAGRAMS AND TERMINAL DESCRIPTIONS -33

U8031: S29GL128N (128 Mbit Flash Memory)

TERMINAL DESCRIPTION

PIN	DESCRIPTION
A0 ~ A22	Address Input(23 pins)
DQ0 ~ DQ14	Data Input/Output(15 pins)
DQ15 / A-1	DQ15(Data Input/Output: Word Mode), A-1(LSB Address Input: Bite Mode)
BYTE#	Selector of 8 bit Mode and 16 bit Mode
CE#	Chip Enable
OE#	Output Enable
WE#	Write Enable
RESET#	Hardware Reset Pin
WP# / ACC	Hardware Write Protect Input/Acceleration Input
RY / BY#	Ready / Busy Output
V _{CC}	3.0V Power Supply
V _{IO}	Output Buffer Power Supply
V _{SS}	GND
NC	No Connection

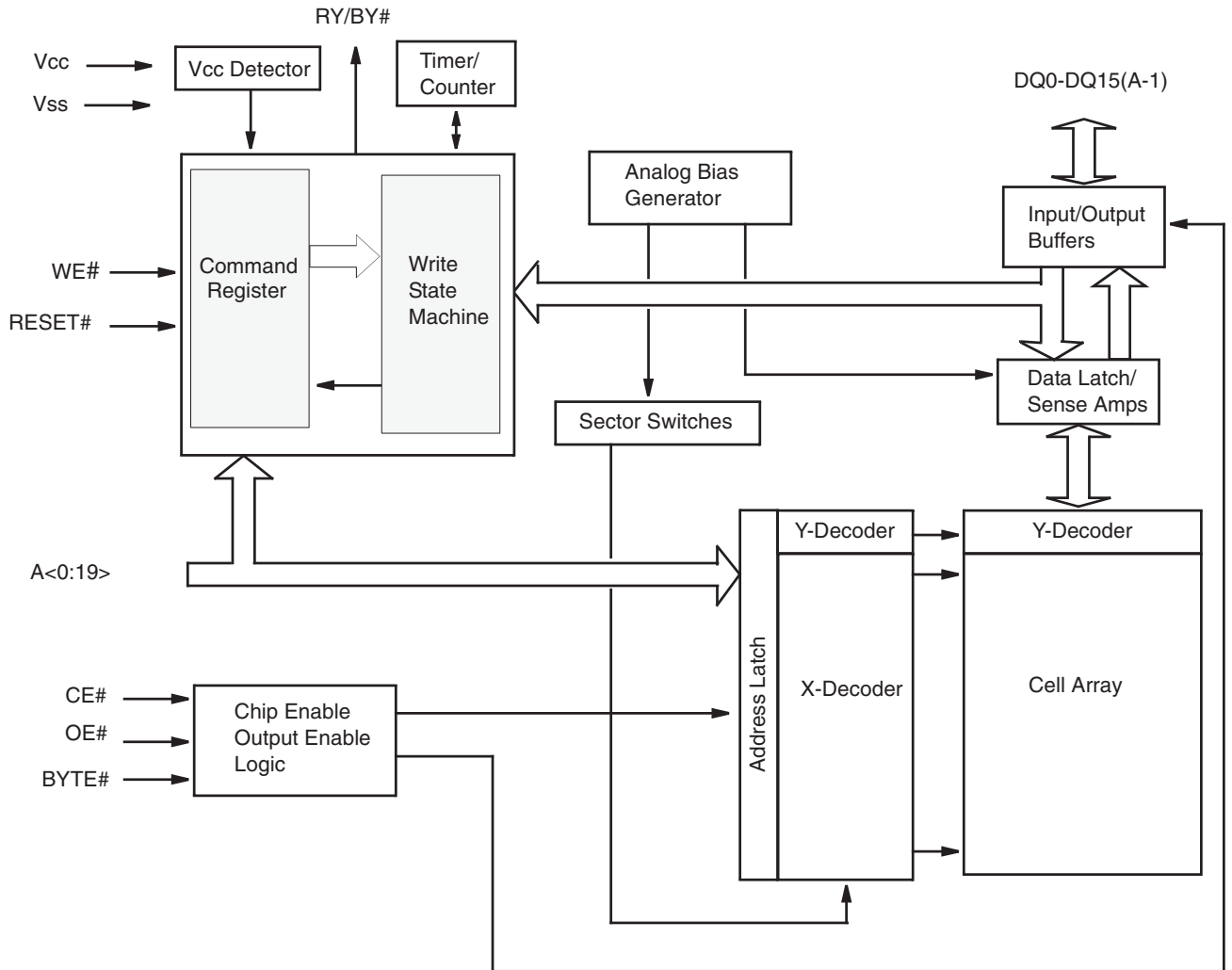
LOGIC SYMBOL



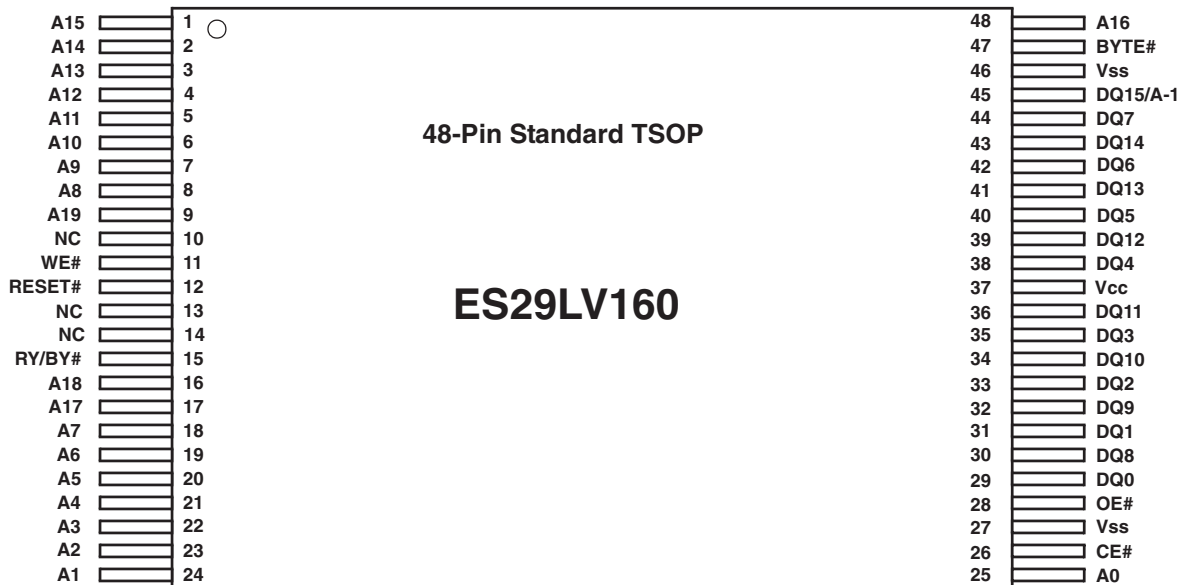
IC BLOCK DIAGRAMS AND TERMINAL DESCRIPTIONS -34

Q3451: ES29LV160ET-70TG (16 Mbit Flash Memory)

BLOCK DIAGRAM



PIN CONFIGURATION



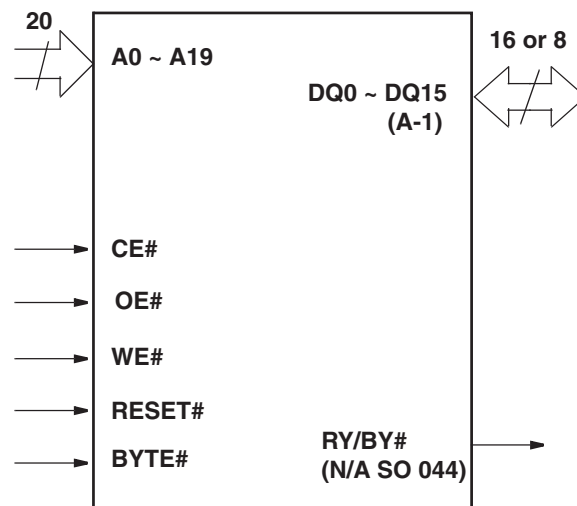
IC BLOCK DIAGRAMS AND TERMINAL DESCRIPTIONS -35

Q3451: ES29LV160ET-70TG (16 Mbit Flash Memory)

TERMINAL DESCRIPTION

Pin	Description
A0-A19	20 Addresses
DQ0-DQ14	15 Data Inputs/Outputs
DQ15/A-1	DQ15 (Data Input/Output, Word Mode) A-1 (LSB Address Input, Byte Mode)
CE#	Chip Enable
OE#	Output Enable
WE#	Write Enable
RESET#	Hardware Reset Pin, Active Low
BYTE#	Selects 8-bit or 16-bit mode
RY/BY#	Ready/Busy Output (N/A SO 044)
Vcc	3.0 volt-only single power supply (see Product Selector Guide for speed options and voltage supply tolerances)
Vss	Device Ground
NC	Pin Not Connected Internally

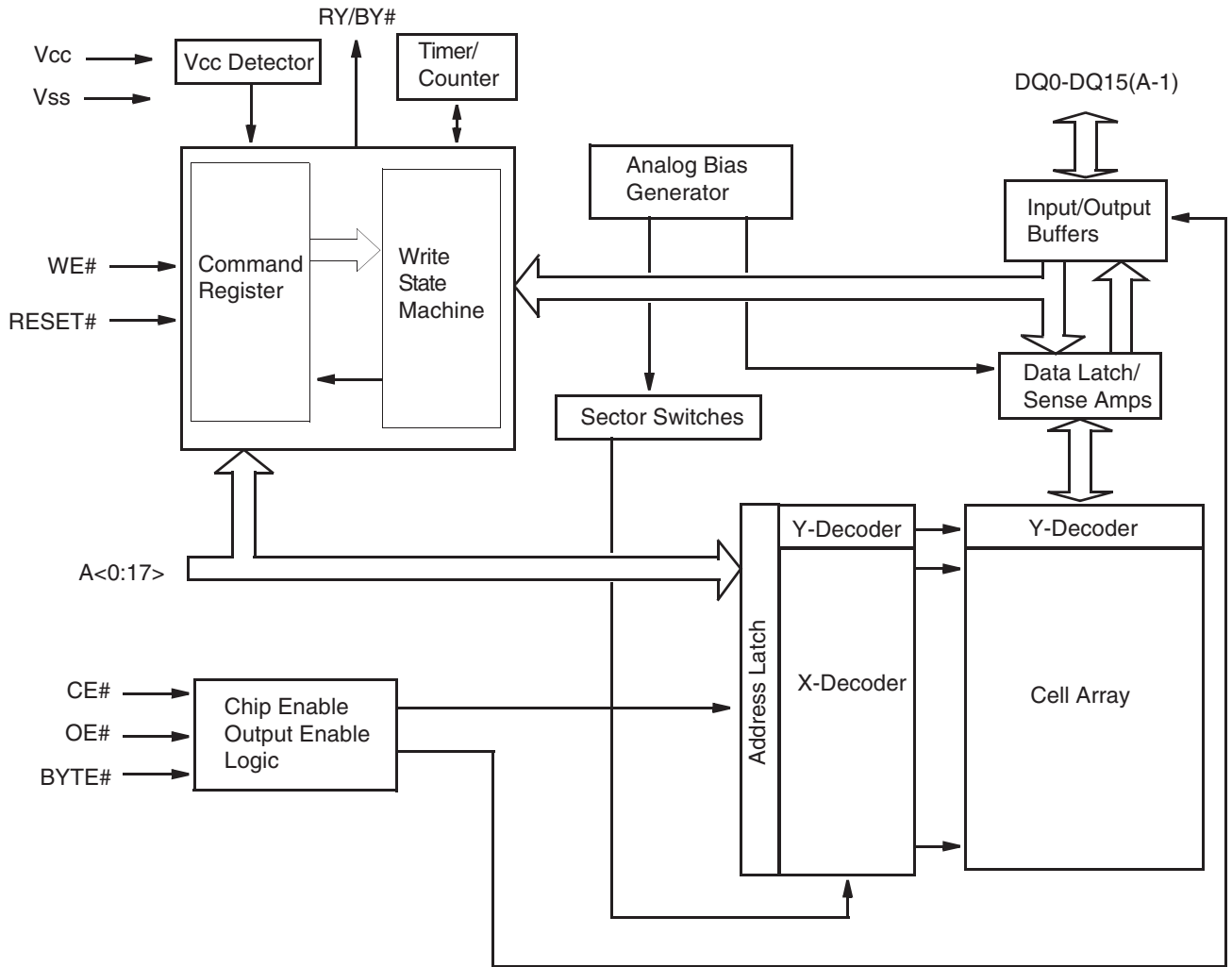
LOGIC SYMBOL



IC BLOCK DIAGRAMS AND TERMINAL DESCRIPTIONS -36

Q3551 : ES29LV400ET-70TG (4 Mbit Flash Memory)

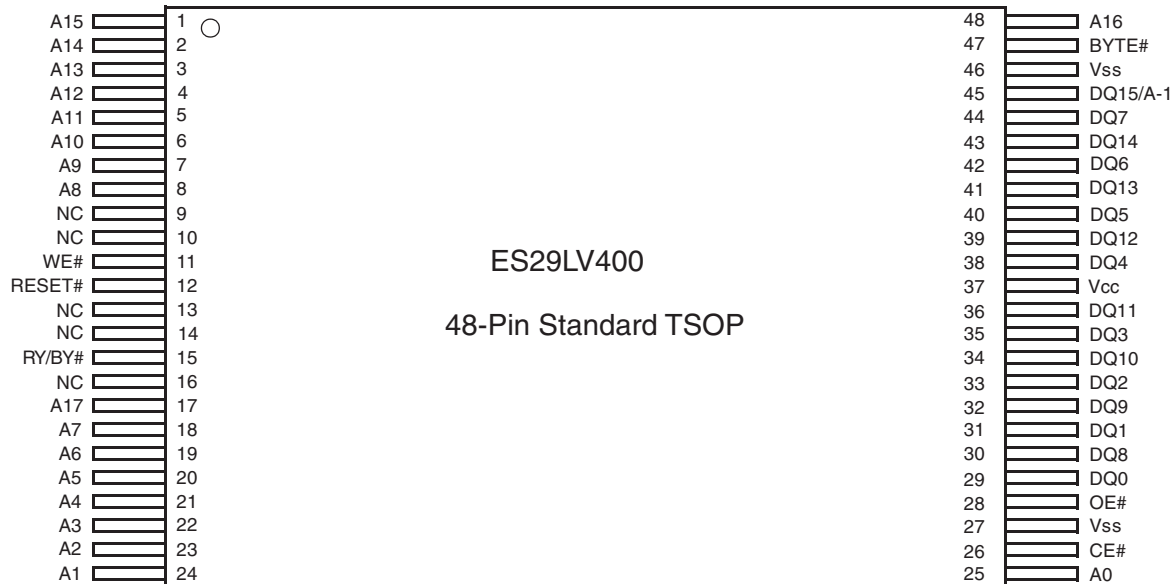
BLOCK DIAGRAM



IC BLOCK DIAGRAMS AND TERMINAL DESCRIPTIONS -37

Q3551 : ES29LV400ET-70TG (4 Mbit Flash Memory)

PIN CONFIGURATION



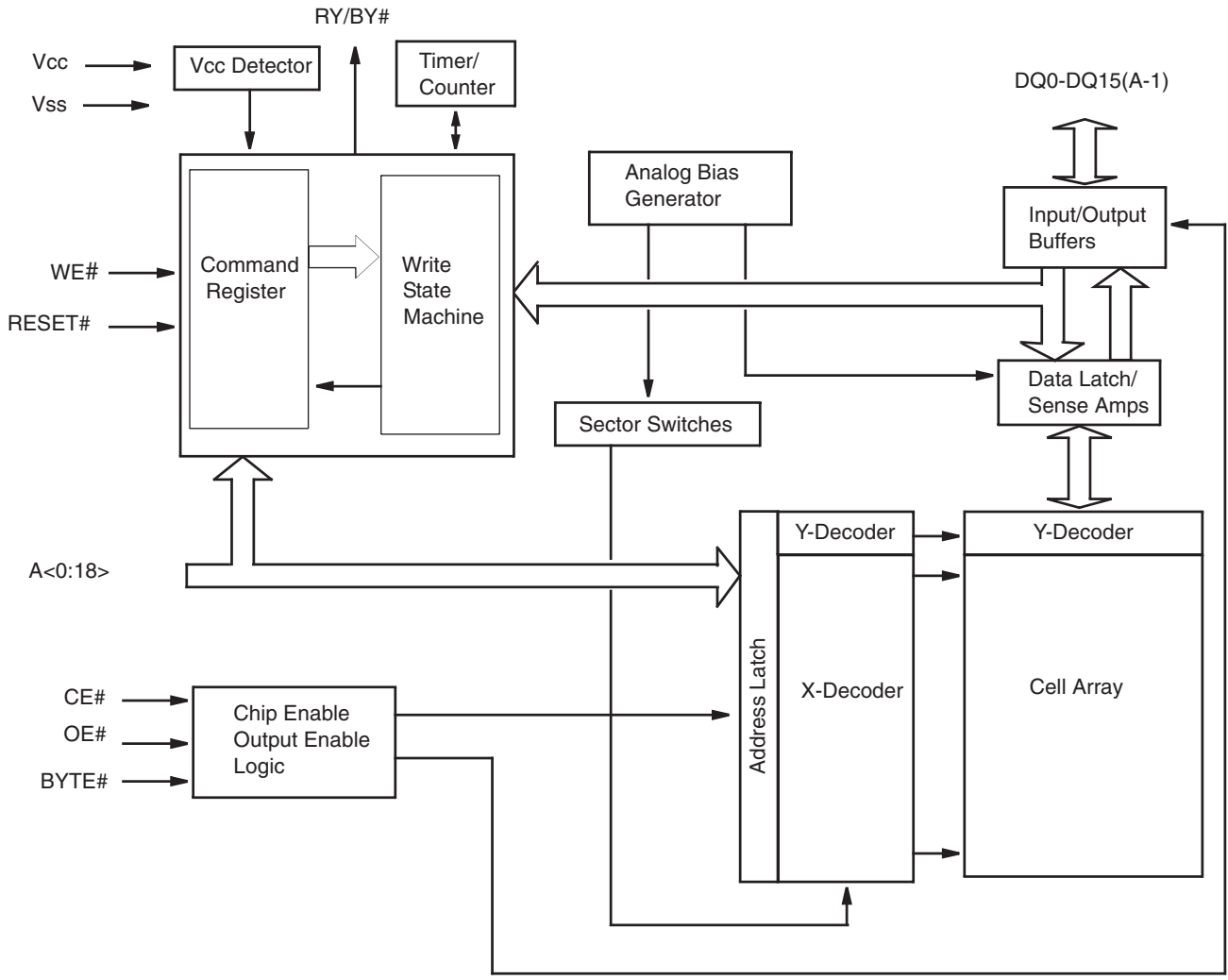
TERMINAL DESCRIPTION

Terminal	Description
A0-A17	18 Addresses
DQ0-DQ14	15 Data Inputs/Outputs
DQ15/A-1	DQ15 (Data Input/Output, Word Mode) A-1 (LSB Address Input, Byte Mode)
CE#	Chip Enable
OE#	Output Enable
WE#	Write Enable
RESET#	Hardware Reset Pin, Active Low
BYTE#	Selects 8-bit or 16-bit mode
RY/BY#	Ready/Busy Output
Vcc	3.0 volt-only single power supply (see Product Selector Guide for speed options and voltage supply tolerances)
Vss	Device Ground
NC	Pin Not Connected Internally

IC BLOCK DIAGRAMS AND TERMINAL DESCRIPTIONS -38

Q3651 : ES29LV800ET-70TG (8 Mbit Flash Memory)

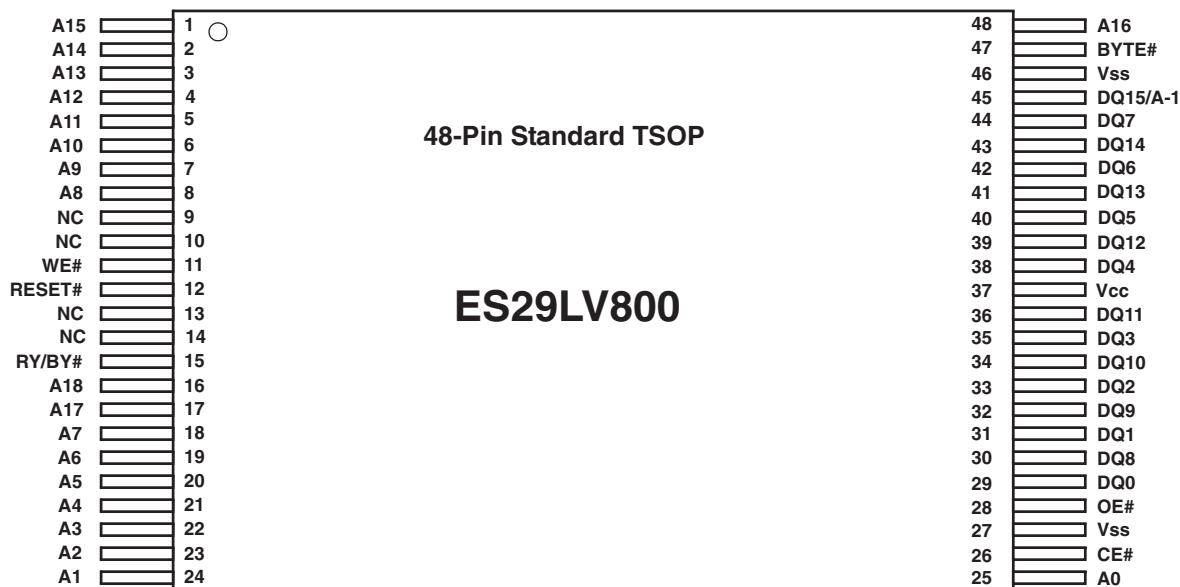
BLOCK DIAGRAM



IC BLOCK DIAGRAMS AND TERMINAL DESCRIPTIONS -39

Q3651 : ES29LV800ET-70TG (8 Mbit Flash Memory)

PIN CONFIGURATION



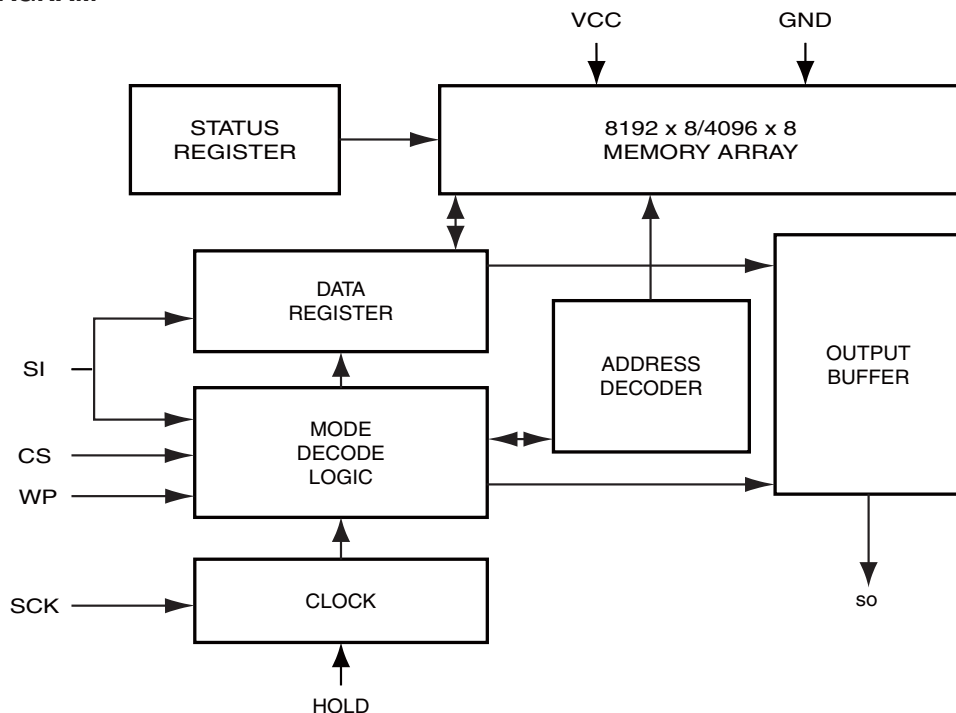
TERMINAL DESCRIPTION

Pin	Description
A0-A18	19 Addresses
DQ0-DQ14	15 Data Inputs/Outputs
DQ15/A-1	DQ15 (Data Input/Output, Word Mode) A-1 (LSB Address Input, Byte Mode)
CE#	Chip Enable
OE#	Output Enable
WE#	Write Enable
RESET#	Hardware Reset Pin, Active Low
BYTE#	Selects 8-bit or 16-bit mode
RY/BY#	Ready/Busy Output
Vcc	3.0 volt-only single power supply (see Product Selector Guide for speed options and voltage supply tolerances)
Vss	Device Ground
NC	Pin Not Connected Internally

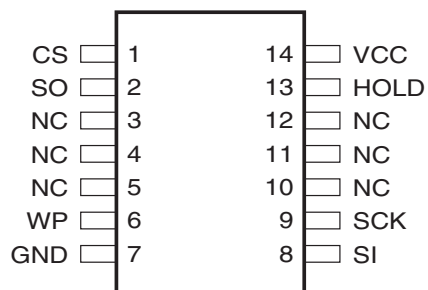
IC BLOCK DIAGRAMS AND TERMINAL DESCRIPTIONS -40

Q7391: IS25C64A(64 kbit EEPROM)

BLOCK DIAGRAM



PIN CONFIGURATION



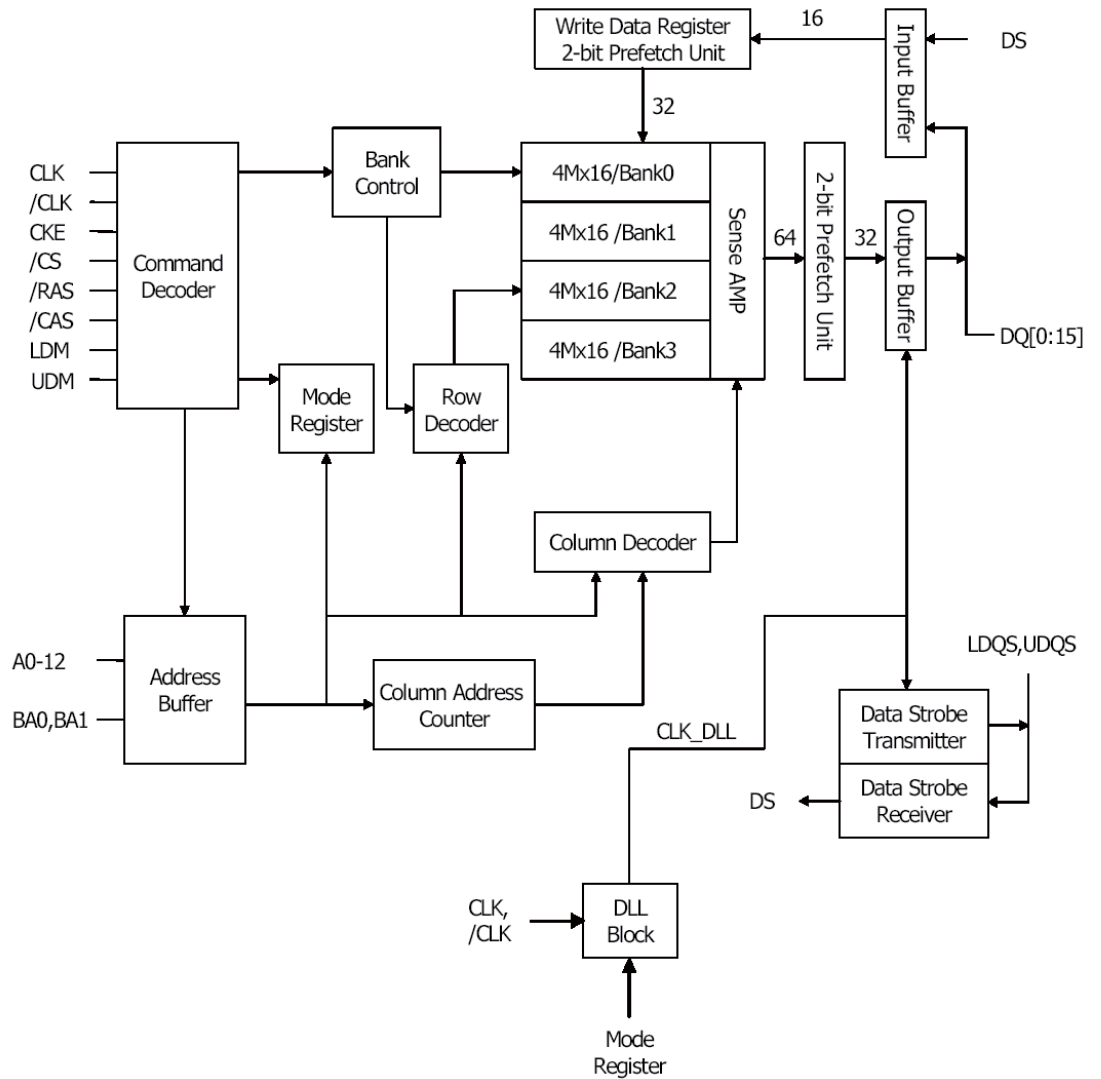
TERMINAL DESCRIPTION

CS	Chip Select
SCK	Serial Data Clock
SI	Serial Data Input
SO	Serial Data Output
GND	Ground
Vcc	Power
WP	Write Protect
HOLD	Suspends Serial Input
NC	No Connect

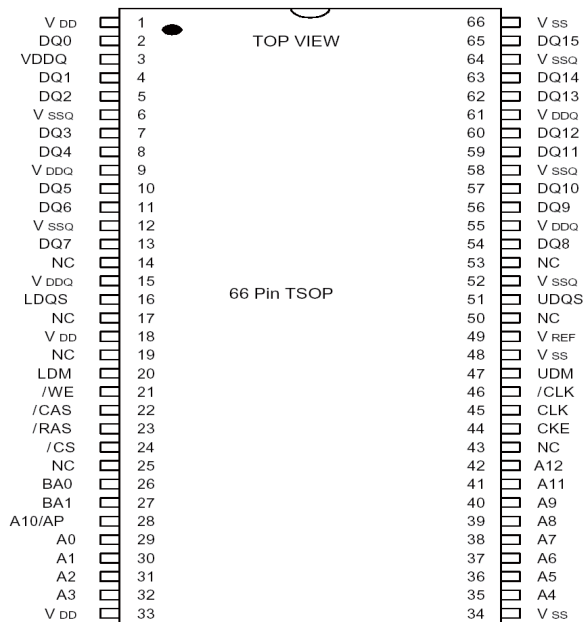
IC BLOCK DIAGRAMS AND TERMINAL DESCRIPTIONS -41

U8027, U8028, U8029, U8030: HY5DU561622ETP (256 Mbit DDR SDRAM)

BLOCK DIAGRAM



PIN CONFIGURATION



IC BLOCK DIAGRAMS AND TERMINAL DESCRIPTIONS -42

U8027, U8028, U8029, U8030: HY5DU561622ETP (256 Mbit DDR SDRAM)

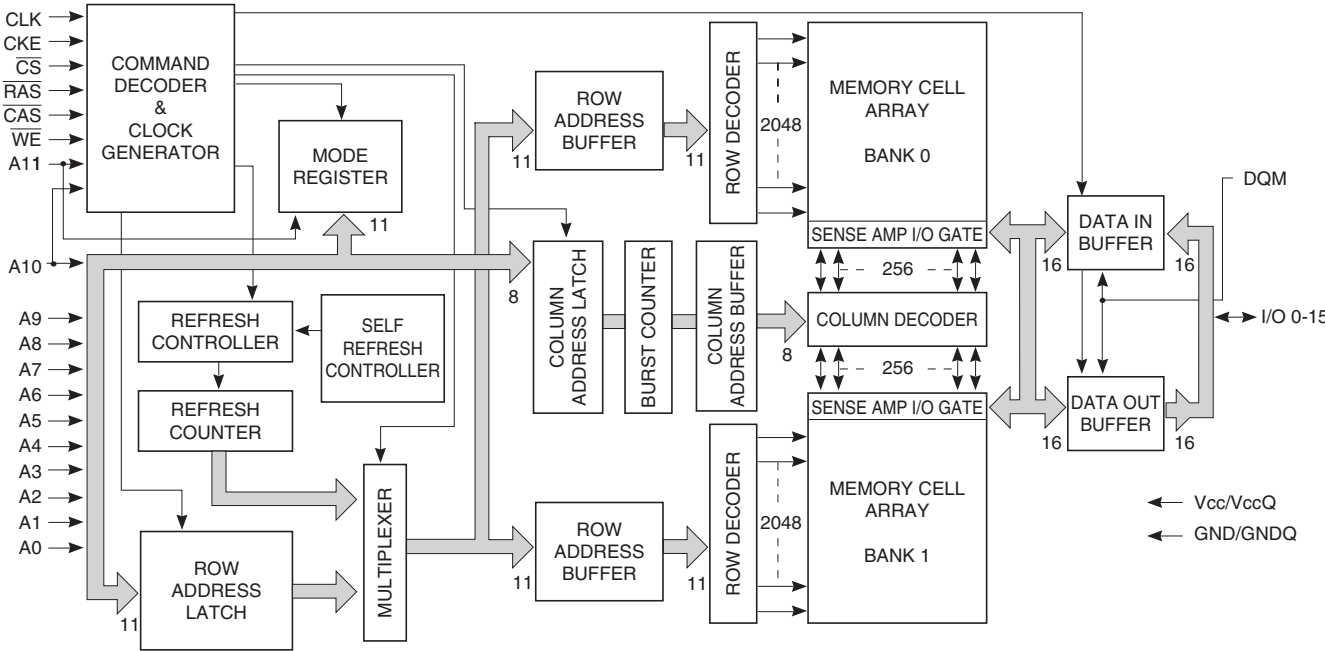
TERMINAL DESCRIPTION

PIN	TYPE	DESCRIPTION
CK, /CK	Input	Clock: CK and /CK are differential clock inputs. All address and control input signals are sampled on the crossing of the positive edge of CK and negative edge of /CK. Output (read) data is referenced to the crossings of CK and /CK (both directions of crossing).
CKE	Input	Clock Enable: CKE HIGH activates, and CKE LOW deactivates internal clock signals, and device input buffers and output drivers. Taking CKE LOW provides PRECHARGE POWER DOWN and SELF REFRESH operation (all banks idle), or ACTIVE POWER DOWN (row ACTIVE in any bank). CKE is synchronous for POWER DOWN entry and exit, and for SELF REFRESH entry. CKE is asynchronous for SELF REFRESH exit, and for output disable. CKE must be maintained high throughout READ and WRITE accesses. Input buffers, excluding CK, /CK and CKE are disabled during POWER DOWN. Input buffers, excluding CKE are disabled during SELF REFRESH. CKE is an SSTL_2 input, but will detect an LVCMOS LOW level after Vdd is applied.
/CS	Input	Chip Select : Enables or disables all inputs except CK, /CK, CKE, DQS and DM. All commands are masked when CS is registered high. CS provides for external bank selection on systems with multiple banks. CS is considered part of the command code.
BA0, BA1	Input	Bank Address Inputs: BA0 and BA1 define to which bank an ACTIVE, Read, Write or PRECHARGE command is being applied.
A0 ~ A12	Input	Address Inputs: Provide the row address for ACTIVE commands, and the column address and AUTO PRECHARGE bit for READ/WRITE commands, to select one location out of the memory array in the respective bank. A10 is sampled during a precharge command to determine whether the PRECHARGE applies to one bank (A10 LOW) or all banks (A10 HIGH). If only one bank is to be precharged, the bank is selected by BA0, BA1. The address inputs also provide the op code during a MODE REGISTER SET command. BA0 and BA1 define which mode register is loaded during the MODE REGISTER SET command (MRS or EMRS).
/RAS, /CAS, /WE	Input	Command Inputs: /RAS, /CAS and /WE (along with /CS) define the command being entered.
LDM, UDM	Input	Input Data Mask: DM(LDM,UDM) is an input mask signal for write data. Input data is masked when DM is sampled HIGH along with that input data during a WRITE access. DM is sampled on both edges of DQS. Although DM pins are input only, the DM loading matches the DQ and DQS loading. LDM corresponds to the data on DQ0-Q7; UDM corresponds to the data on DQ8-Q15.
LDQS, UDQS	I/O	Data Strobe: Output with read data, input with write data. Edge aligned with read data, centered in write data. Used to capture write data. LDQS corresponds to the data on DQ0-Q7; UDQS corresponds to the data on DQ8-Q15.
DQ0 ~ DQ15	I/O	Data input / output pin : Data Bus
VDD/VSS	Supply	Power supply for internal circuits and input buffers.
VDDQ/VSSQ	Supply	Power supply for output buffers for noise immunity.
VREF	Supply	Reference voltage for inputs for SSTL interface.
NC	NC	No connection.

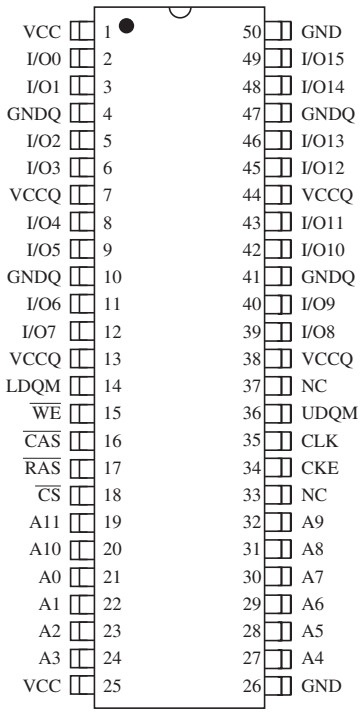
IC BLOCK DIAGRAMS AND TERMINAL DESCRIPTIONS -43

Q3461, Q3471, Q3561: IC42S16100 (16-Mbit Synchronous Dynamic RAM)

BLOCK DIAGRAM



PIN CONFIGURATION



IC BLOCK DIAGRAMS AND TERMINAL DESCRIPTIONS -44

Q3461, Q3471, Q3561: IC42S16100 (16-Mbit Synchronous Dynamic RAM)

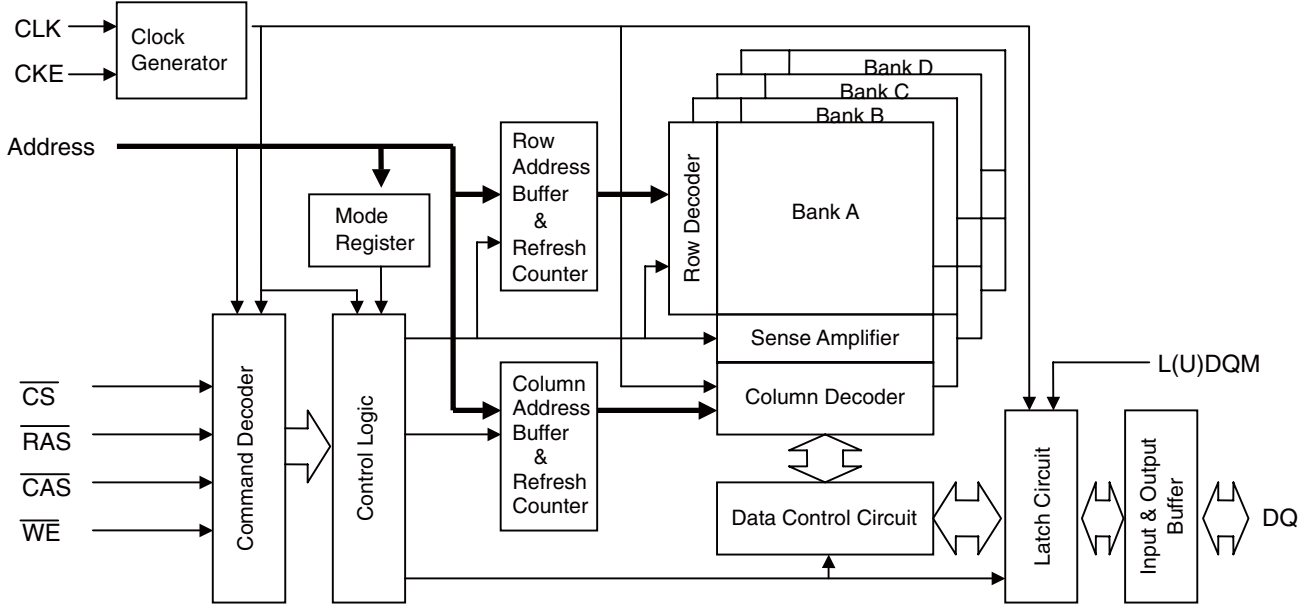
TERMINAL DESCRIPTION

Pin No.	Pin name	Function (In Detail)
20 to 24 27 to 32	A0-A10	A0 to A10 are address inputs. A0-A10 are used as row address inputs during active command input and A0-A7 as column address inputs during read or write command input. A10 is also used to determine the precharge mode during other commands. If A10 is LOW during precharge command, the bank selected by A11 is precharged, but if A10 is HIGH, both banks will be precharged. When A10 is HIGH in read or write command cycle, the precharge starts automatically after the burst access. These signals become part of the OP CODE during mode register set command input.
19	A11	A11 is the bank selection signal. When A11 is LOW, bank 0 is selected and when high, bank 1 is selected. This signal becomes part of the OP CODE during mode register set command input.
16	$\overline{\text{CAS}}$	$\overline{\text{CAS}}$, in conjunction with the $\overline{\text{RAS}}$ and $\overline{\text{WE}}$, forms the device command. See the "Command Truth Table" item for details on device commands.
34	CKE	The CKE input determines whether the CLK input is enabled within the device. When is CKE HIGH, the next rising edge of the CLK signal will be valid, and when LOW, invalid. When CKE is LOW, the device will be in either the power-down mode, the clock suspend mode, or the self refresh mode. The CKE is an asynchronous input.
35	CLK	CLK is the master clock input for this device. Except for CKE, all inputs to this device are acquired in synchronization with the rising edge of this pin.
18	$\overline{\text{CS}}$	The $\overline{\text{CS}}$ input determines whether command input is enabled within the device. Command input is enabled when $\overline{\text{CS}}$ is LOW, and disabled with $\overline{\text{CS}}$ is HIGH. The device remains in the previous state when $\overline{\text{CS}}$ is HIGH.
2, 3, 5, 6, 8, 9, 11, 12, 39, 40, 42, 43, 45, 46, 48, 49	I/O0 to I/O15	I/O0 to I/O15 are I/O pins. I/O through these pins can be controlled in byte units using the LDQM and UDQM pins.
14, 36	LDQM, UDQM	LDQM and UDQM control the lower and upper bytes of the I/O buffers. In read mode, LDQM and UDQM control the output buffer. When LDQM or UDQM is LOW, the corresponding buffer byte is enabled, and when HIGH, disabled. The outputs go to the HIGH impedance state when LDQM/UDQM is HIGH. This function corresponds to $\overline{\text{OE}}$ in conventional DRAMs. In write mode, LDQM and UDQM control the input buffer. When LDQM or UDQM is LOW, the corresponding buffer byte is enabled, and data can be written to the device. When LDQM or UDQM is HIGH, input data is masked and cannot be written to the device.
17	$\overline{\text{RAS}}$	$\overline{\text{RAS}}$, in conjunction with $\overline{\text{CAS}}$ and $\overline{\text{WE}}$, forms the device command. See the "Command Truth Table" item for details on device commands.
15	$\overline{\text{WE}}$	$\overline{\text{WE}}$, in conjunction with $\overline{\text{RAS}}$ and $\overline{\text{CAS}}$, forms the device command. See the "Command Truth Table" item for details on device commands.
7, 13, 38, 44	VccQ	VccQ is the output buffer power supply.
1, 25	Vcc	Vcc is the device internal power supply.
4, 10, 41, 47	GNDQ	GNDQ is the output buffer ground.
26, 50	GND	GND is the device internal ground.

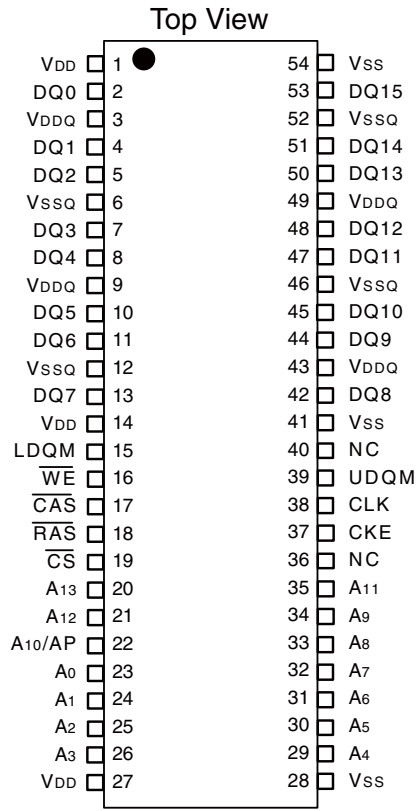
IC BLOCK DIAGRAMS AND TERMINAL DESCRIPTIONS -45

Q3661:M12L64164A-7TG (64 Mbit Synchronous DRAM)

BLOCK DIAGRAM



PIN CONFIGURATION



FEATURES

- JEDEC standard 3.3V power supply
- LVTTTL compatible with multiplexed address
- Four banks operation
- MRS cycle with address key programs
 - CAS Latency (2 & 3)
 - Burst Length (1, 2, 4, 8 & full page)
 - Burst Type (Sequential & Interleave)
- All inputs are sampled at the positive going edge of the system clock
- Auto & self refresh
- 15.6 μs refresh interval

IC BLOCK DIAGRAMS AND TERMINAL DESCRIPTIONS -46

Q3661:M12L64164A-7TG (64 Mbit Synchronous DRAM)

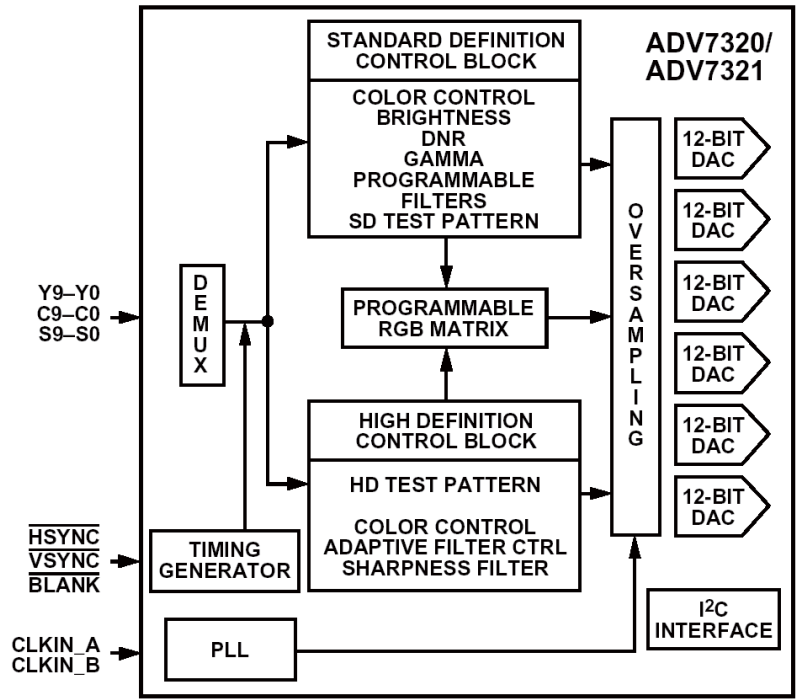
TERMINAL DESCRIPTION

PIN	NAME	INPUT FUNCTION
CLK	System Clock	Active on the positive going edge to sample all inputs
$\overline{\text{CS}}$	Chip Select	Disables or enables device operation by masking or enabling all inputs except CLK , CKE and L(U)DQM
CKE	Clock Enable	Masks system clock to freeze operation from the next clock cycle. CKE should be enabled at least one cycle prior new command. Disable input buffers for power down in standby.
A0 ~ A11	Address	Row / column address are multiplexed on the same pins. Row address : RA0~RA11, column address : CA0~CA7
A12 , A13	Bank Select Address	Selects bank to be activated during row address latch time. Selects bank for read / write during column address latch time.
$\overline{\text{RAS}}$	Row Address Strobe	Latches row addresses on the positive going edge of the CLK with $\overline{\text{RAS}}$ low. Enables row access & precharge.
$\overline{\text{CAS}}$	Column Address Strobe	Latches column address on the positive going edge of the CLK with $\overline{\text{CAS}}$ low. Enables column access.
$\overline{\text{WE}}$	Write Enable	Enables write operation and row precharge. Latches data in starting from $\overline{\text{CAS}}$, $\overline{\text{WE}}$ active.
L(U)DQM	Data Input / Output Mask	Makes data output Hi-Z, t_{SHZ} after the clock and masks the output. Blocks data input when L(U)DQM active.
DQ0 ~ DQ15	Data Input / Output	Data inputs / outputs are multiplexed on the same pins.
VDD / VSS	Power Supply / Ground	Power and ground for the input buffers and the core logic.
VDDQ / VSSQ	Data Output Power / Ground	Isolated power supply and ground for the output buffers to provide improved noise immunity.
NC	No Connection	This pin is recommended to be left No Connection on the device.

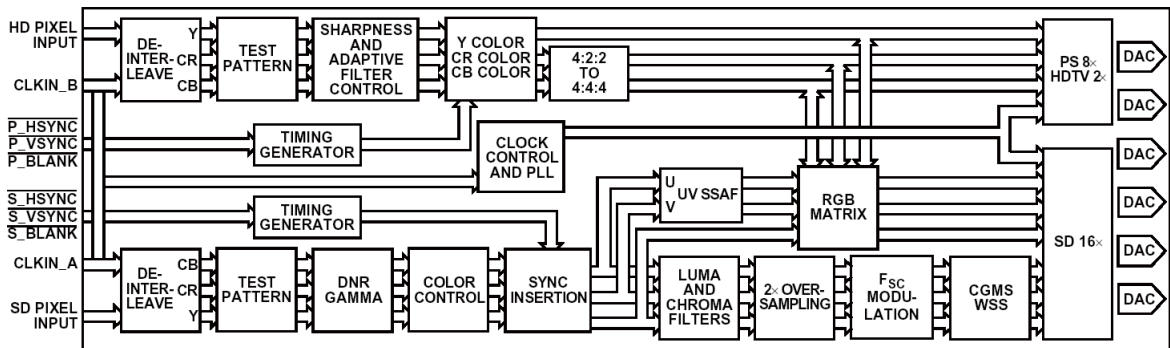
IC BLOCK DIAGRAMS AND TERMINAL DESCRIPTIONS -47

Q8901: ADV7320 (Video Encoder with Six 12-bit DACs)

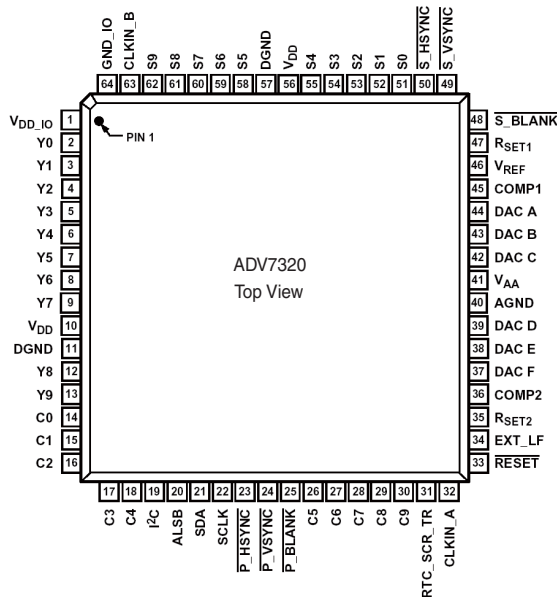
BLOCK DIAGRAM



Detailed BLOCK DIAGRAM



PIN CONFIGURATION



IC BLOCK DIAGRAMS AND TERMINAL DESCRIPTIONS -48

Q8901: ADV7320 (Video Encoder with Six 12-bit DACs)

TERMINAL DESCRIPTION

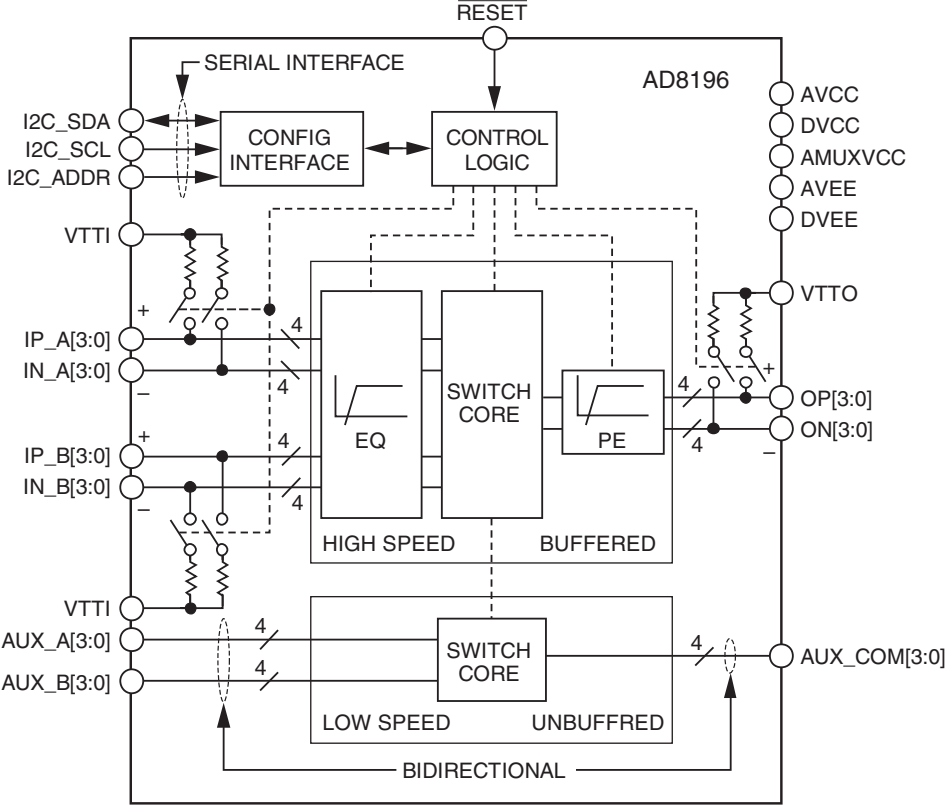
Pin No.	Mnemonic	Input/Output	Description
11, 57	DGND	G	Digital Ground.
40	AGND	G	Analog Ground.
32	CLKIN_A	I	Pixel Clock Input for HD Only (74.25 MHz), PS Only (27 MHz), and SD Only (27 MHz).
63	CLKIN_B	I	Pixel Clock Input. Requires a 27 MHz reference clock for PS mode or a 74.25 MHz (74.1758 MHz) reference clock in HDTV mode. This clock is only used in dual modes.
45, 36	COMP1, COMP2	O	Compensation Pin for DACs. Connect 0.1 μ F capacitor from COMP pin to V_{AA} .
44	DAC A	O	CVBS/Green/Y/Y Analog Output.
43	DAC B	O	Chroma/Blue/U/Pb Analog Output.
42	DAC C	O	Luma/Red/V/Pr Analog Output.
39	DAC D	O	In SD Only Mode: CVBS/Green/Y Analog Output; in HD Only Mode and Simultaneous HD/SD Mode: Y/Green [HD] Analog Output.
38	DAC E	O	In SD Only Mode: Luma/Blue/U Analog Output; in HD Only Mode and Simultaneous HD/SD Mode: Pr/Red Analog Output.
37	DAC F	O	In SD Only Mode: Chroma/Red/V Analog Output; in HD Only Mode and Simultaneous HD/SD Mode: Pb/Blue [HD] Analog Output.
23	<u>P_HSYNC</u>	I	Video Horizontal Sync Control Signal for HD in Simultaneous SD/HD Mode and HD Only Mode.
24	<u>P_VSYNC</u>	I	Video Vertical Sync Control Signal for HD in Simultaneous SD/HD Mode and HD Only Mode.
25	<u>P_BLANK</u>	I	Video Blanking Control Signal for HD in Simultaneous SD/HD Mode and HD Only Mode.
48	<u>S_BLANK</u>	I/O	Video Blanking Control Signal for SD Only.
49	<u>S_VSYNC</u>	I/O	Video Vertical Sync Control Signal for SD Only.
50	<u>S_HSYNC</u>	I/O	Video Horizontal Sync Control Signal for SD Only.
13, 12, 9 to 2	Y9 to Y0	I	SD or PS/HDTV Input Port for Y Data. Input port for interleaved progressive scan data. The LSB is set up on Pin Y0. For 8-bit data input, LSB is set up on Pin Y2.
30 to 26, 18 to 14	C9 to C0	I	PS/HDTV Input Port 4:4:4 Input Mode. This port is used for the Cb[Blue/U] data. The LSB is set up on Pin C0. For 8-bit data input, LSB is set up on Pin C2.

Pin No.	Mnemonic	Input/Output	Description
62 to 58, 55 to 51	S9 to S0	I	SD or PS/HDTV Input Port for Cr[Red/V] Data in 4:4:4 Input Mode. LSB is set up on Pin S0. For 8-bit data input, LSB is set up on Pin S2.
33	<u>RESET</u>	I	This input resets the on-chip timing generator and sets the ADV7320/ADV7321 into default register setting. RESET is an active low signal.
47, 35	RSET1, RSET2	I	A 3040 Ω resistor must be connected from this pin to AGND and is used to control the amplitudes of the DAC outputs.
22	SCLK	I	I ² C Port Serial Interface Clock Input.
21	SDA	I/O	I ² C Port Serial Data Input/Output.
20	ALS0	I	TTL Address Input. This signal sets up the LSB of the I ² C address. When this pin is tied low, the I ² C filter is activated, which reduces noise on the I ² C interface.
1	V_{DD_IO}	P	Power Supply for Digital Inputs and Outputs.
10, 56	V_{DD}	P	Digital Power Supply.
41	V_{AA}	P	Analog Power Supply.
46	V_{REF}	I/O	Optional External Voltage Reference Input for DACs or Voltage Reference Output (1.235 V).
34	EXT_LF	I	External Loop Filter for the Internal PLL.
31	RTC_SCR_TR	I	Multifunctional Input. Real-time control (RTC) input, timing reset input, subcarrier reset input.
19	I ² C	I	This input pin must be tied high (V_{DD_IO}) for the ADV7320/ADV7321 to interface over the I ² C port.
64	GND_IO		Digital Input/Output Ground.

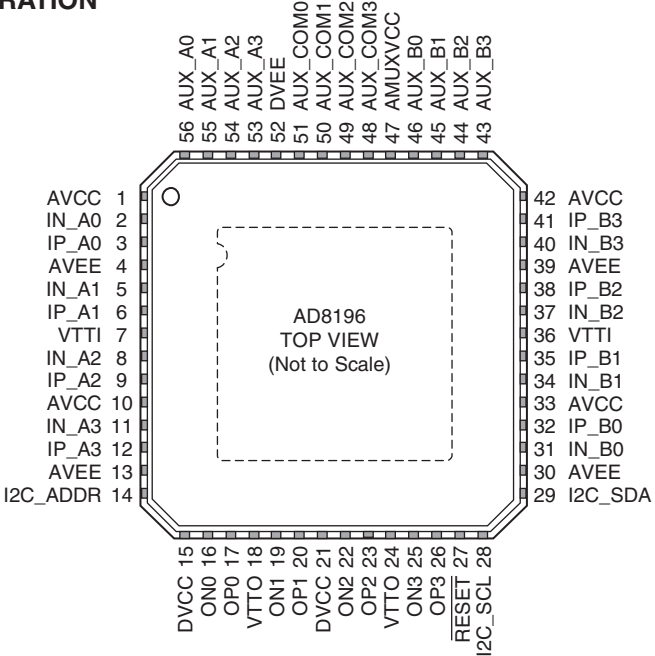
IC BLOCK DIAGRAMS AND TERMINAL DESCRIPTIONS -49

Q8101 : AD8196 (HDMI/DVI Switch with Equalization)

BLOCK DIAGRAM



PIN CONFIGURATION



IC BLOCK DIAGRAMS AND TERMINAL DESCRIPTIONS -50

Q8101 : AD8196 (HDMI/DVI Switch with Equalization)

TERMINAL DESCRIPTION

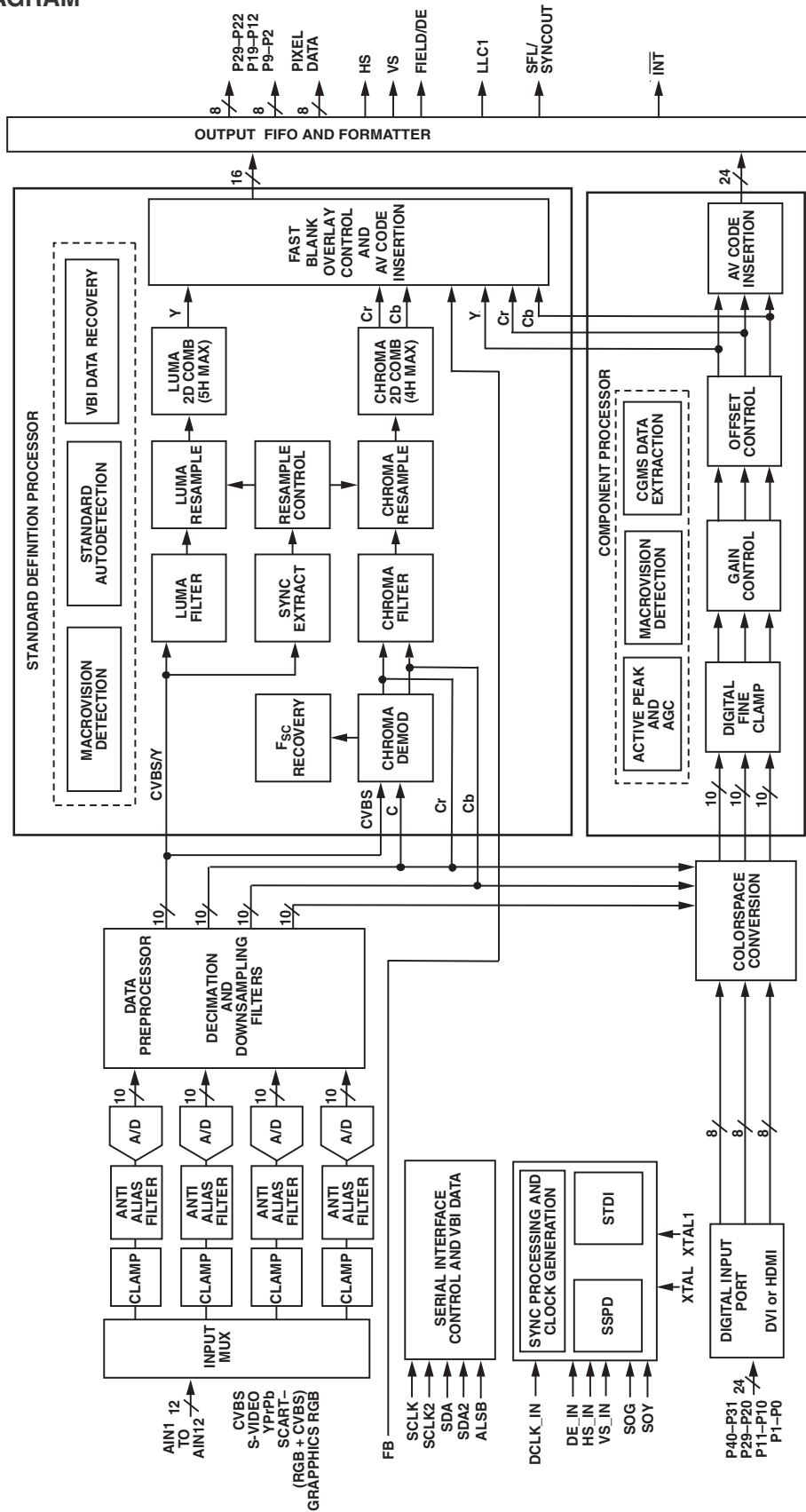
Pin No.	Mnemonic	Type	Description
1, 10, 33, 42	AVCC	Power	Positive Analog Supply. 3.3 V nominal.
2	IN_A0	HS I	High Speed Input Complement.
3	IP_A0	HS I	High Speed Input.
4, 13, 30, 39, ePAD	AVEE	Power	Negative Analog Supply. 0 V nominal.
5	IN_A1	HS I	High Speed Input Complement.
6	IP_A1	HS I	High Speed Input.
7, 36	VTTI	Power	Input Termination Supply. Nominally connected to AVCC.
8	IN_A2	HS I	High Speed Input Complement.
9	IP_A2	HS I	High Speed Input.
11	IN_A3	HS I	High Speed Input Complement.
12	IP_A3	HS I	High Speed Input.
14	I2C_ADDR	Control	I ² C Address LSB.
15, 21	DVCC	Power	Positive Digital Power Supply. 3.3 V nominal.
16	ON0	HS O	High Speed Output Complement.
17	OP0	HS O	High Speed Output.
18, 24	VTTO	Power	Output Termination Supply. Nominally connected to AVCC.
19	ON1	HS O	High Speed Output Complement.
20	OP1	HS O	High Speed Output.
22	ON2	HS O	High Speed Output Complement.
23	OP2	HS O	High Speed Output.
25	ON3	HS O	High Speed Output Complement.
26	OP3	HS O	High Speed Output.
27	RESET	Control	Configuration Registers Reset. This pin is normally pulled up to DVCC.
28	I2C_SCL	Control	I ² C Clock.
29	I2C_SDA	Control	I ² C Data.
31	IN_B0	HS I	High Speed Input Complement.
32	IP_B0	HS I	High Speed Input.
34	IN_B1	HS I	High Speed Input Complement.
35	IP_B1	HS I	High Speed Input.
37	IN_B2	HS I	High Speed Input Complement.
38	IP_B2	HS I	High Speed Input.
40	IN_B3	HS I	High Speed Input Complement.
41	IP_B3	HS I	High Speed Input.
43	AUX_B3	LS I/O	Low Speed Input/Output.
44	AUX_B2	LS I/O	Low Speed Input/Output.
45	AUX_B1	LS I/O	Low Speed Input/Output.
46	AUX_B0	LS I/O	Low Speed Input/Output.
47	AMUXVCC	Power	Positive Auxiliary Switch Supply. 5 V typical.
48	AUX_COM3	LS I/O	Low Speed Common Input/Output.
49	AUX_COM2	LS I/O	Low Speed Common Input/Output.
50	AUX_COM1	LS I/O	Low Speed Common Input/Output.
51	AUX_COM0	LS I/O	Low Speed Common Input/Output.
52	DVEE	Power	Negative Digital and Auxiliary Switch Power Supply. 0 V nominal.
53	AUX_A3	LS I/O	Low Speed Input/Output.
54	AUX_A2	LS I/O	Low Speed Input/Output.
55	AUX_A1	LS I/O	Low Speed Input/Output.
56	AUX_A0	LS I/O	Low Speed Input/Output.

HS = high speed, LS = low speed, I = input, O = output.

IC BLOCK DIAGRAMS AND TERMINAL DESCRIPTIONS -51

Q8800: ADV7401 (Multi-Format SDTV/HDTV Video Decoder)

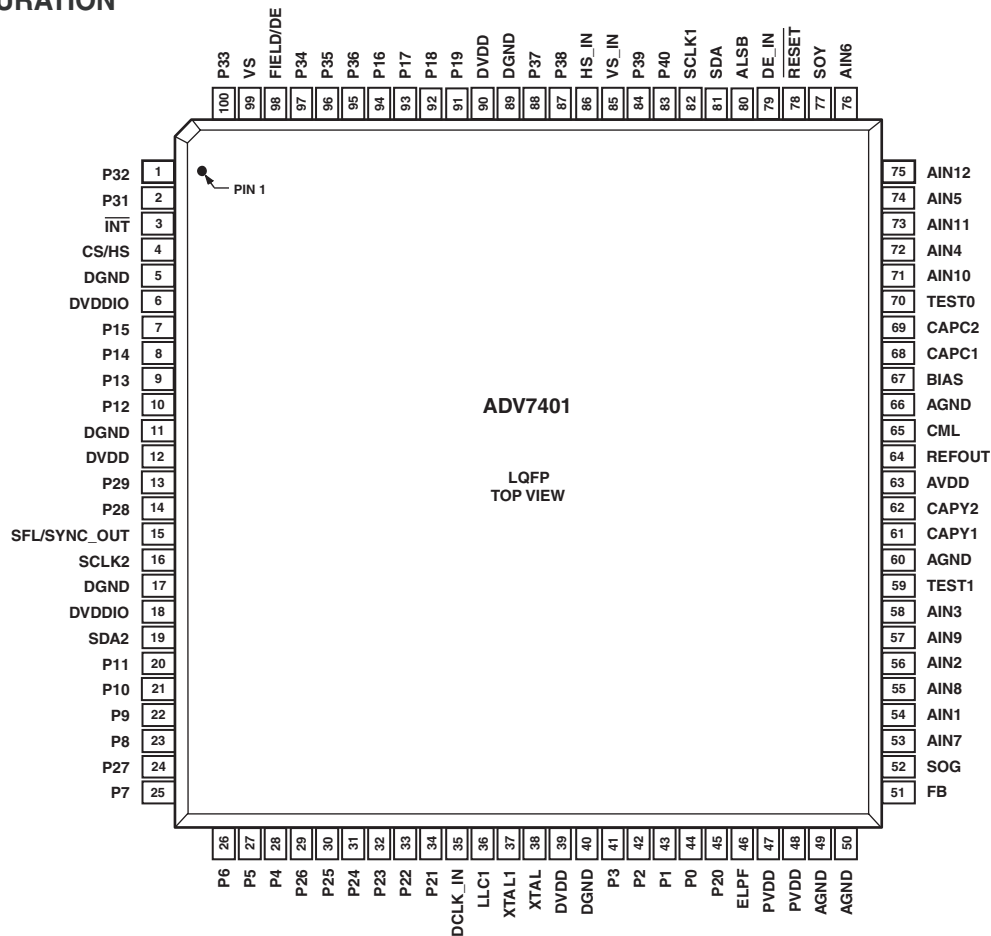
BLOCK DIAGRAM



IC BLOCK DIAGRAMS AND TERMINAL DESCRIPTIONS -52

Q8800: ADV7401 (Multi-Format SDTV/HDTV Video Decoder)

PIN CONFIGURATION



TERMINAL DESCRIPTION(1/3)

Pin No.	Mnemonic	Type	Function
5, 11, 17, 40, 89	DGND	G	Digital ground
49, 50, 60, 66	AGND	G	Analog ground
6, 18	DVDDIO	P	Digital I/O supply voltage (3.3 V).
12, 39, 90	DVDD	P	Digital core supply voltage (1.8 V).
63	AVDD	P	Analog supply voltage (3.3 V).
47, 48	PVDD	P	PLL supply voltage (1.8 V).
51	FB	I	FB is a fast switch overlay input that switches between CVBS and RGB analog signals.
54, 56, 58, 72, 74, 76, 53, 55, 57, 71, 73, 75	AIN1–AIN12	I	Analog video input channels.
42, 41, 28, 27, 26, 25, 23, 22, 10, 9, 8, 7, 94, 93, 92, 91	P2–P9, P12– P19	O	Video pixel output port.

IC BLOCK DIAGRAMS AND TERMINAL DESCRIPTIONS -53

Q8800: ADV7401 (Multi-Format SDTV/HDTV Video Decoder)

TERMINAL DESCRIPTION (2/3)

Pin No.	Mnemonic	Type	Function
33, 32, 31, 30, 29, 24, 14, 13	P22-P29	I/O	Video input/output port
44, 43, 21, 20, 45, 34, 2, 1, 100, 97, 96, 95, 88, 87, 84, 83	P0-P1, P10-P11, P20-P21, P31-P40	I	Video pixel input port.
3	INT	O	Interrupt pin, can be active low or active high. When SDP/CP status bits change this pin will trigger. The set of events which will trigger an interrupt are under user control.
4	HS/CS	O	HS is a horizontal synchronization output signal in SDP and CP modes. CS is a digital composite synchronization signal that can be selected while in CP mode.
99	VS	O	VS is a vertical synchronization output signal in SDP and CP modes.
98	FIELD/DE	O	FIELD is a field synchronization output signal in all interlaced video modes. This pin also can be enabled as a DE (Data Enable) signal in CP mode to allow direct connection to a HDMI/DVI Tx IC.
81, 19	SDA1, SDA2	I/O	I ² C port serial data input/output pin, SDA1 is the data line for the Control port and SDA2 is the data line for the VBI readback port.
82, 16	SCLK1, SCLK2	I I	I ² C port serial clock input (max clock rate of 400 kHz). SCLK1 is the clock line for the Control port and SCLK2 is the clock line for the VBI data readback port.
80	ALSB	I	This pin selects the I ² C address for the ADV7401 Control and VBI readback ports. ALSB set to a logic 0 sets the address for a write to control port of 0x40 and the readback address for the VBI port of 0x21. ALSB set to a logic high sets the address for a write to control port of 0x42 and the readback address for the VBI port of 0x23.
78	RESET	I	System reset input, active low. A minimum low reset pulse width of 5 ms is required to reset the ADV7401 circuitry.
36	LLC1	O	LLC1 is a line locked output clock for the pixel data (range is 12.825MHz to 140MHz for ADV7401KSTZ-140; 12.825MHz to 110MHz for ADV7401BSTZ-110; 12.825MHz to 80MHz for ADV7401BSTZ-80).
38	XTAL	I	Input pin for 28.63636 MHz crystal, or can be overdriven by an external 3.3 V 28.63636 MHz clock oscillator source to clock the ADV7401.
37	XTAL1	O	This pin should be connected to the 28.63636 MHz crystal or left as a no connect if an external 3.3 V 28.63636 MHz clock oscillator source is used to clock the ADV7401. In crystal mode the crystal must be a fundamental crystal.
46	ELPF	O	The recommend external loop filter must be connected to this ELPF pin.
70	TEST0		These pins should be left unconnected or alternatively tie to AGND
59	TEST1	O	These pins should be left unconnected

IC BLOCK DIAGRAMS AND TERMINAL DESCRIPTIONS -54

Q8800: ADV7401 (Multi-Format SDTV/HDTV Video Decoder)

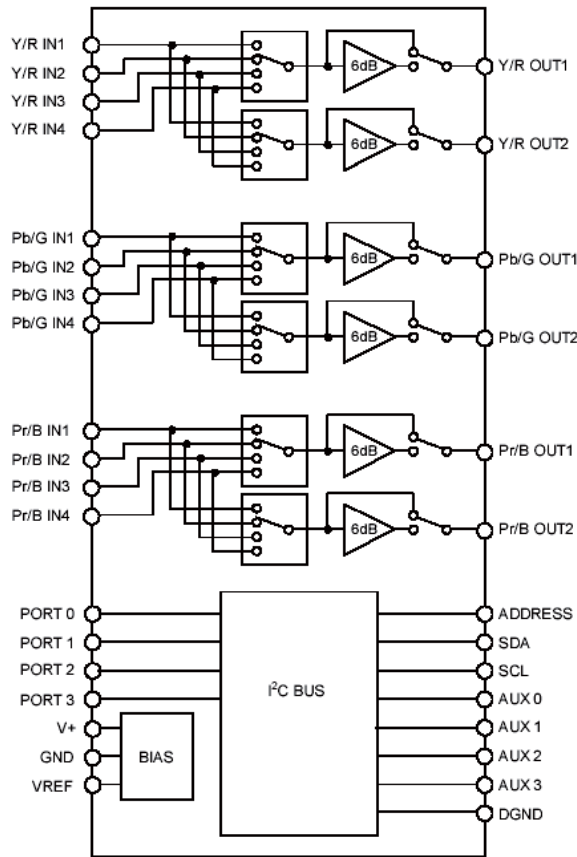
TERMINAL DESCRIPTION (3/3)

Pin No.	Mnemonic	Type	Function
15	SFL/SYNC_OUT	O	SFL (Subcarrier Frequency Lock); this pin contains a serial output stream which can be used to lock the subcarrier frequency when this decoder is connected to any Analog Devices digital video encoder. SYNC_OUT is the sliced sync output signal only available in CP mode.
64	REFOUT	O	Internal voltage reference output.
65	CML	O	The CML pin is a common-mode level for the internal ADCs.
61, 62	CAPY1– CAPY2	I	ADC capacitor network.
68, 69	CAPC1– CAPC2	I	ADC capacitor network.
67	BIAS	O	BIAS is an external bias setting pin. Connect the recommended resistor (1.35k Ω) between pin and ground.
86	HS_IN/CS_IN	I	Can be configured in CP mode to be either a digital HS input signal or a digital CS input signal used to extract timing in a 5-wire or 4-wire RGB mode.
85	VS_IN	I	VS input signal used in CP mode for 5-wire timing mode.
79	DE_IN	I	DE_IN is a data enable input signal used in 24-bit digital input port mode, for example, 24-bit RGB data from a DVI Rx IC.
35	DCLK_IN	I	DCLK_IN is a clock input signal used in 24-bit digital input mode (e.g. 24-bit RGB data from a DVI Rx IC) and also in digital CVBS input mode.
52	SOG	I	SOG is a sync on green input used in embedded sync mode.
77	SOY	I	SOY is a sync on luma input used in embedded sync mode.

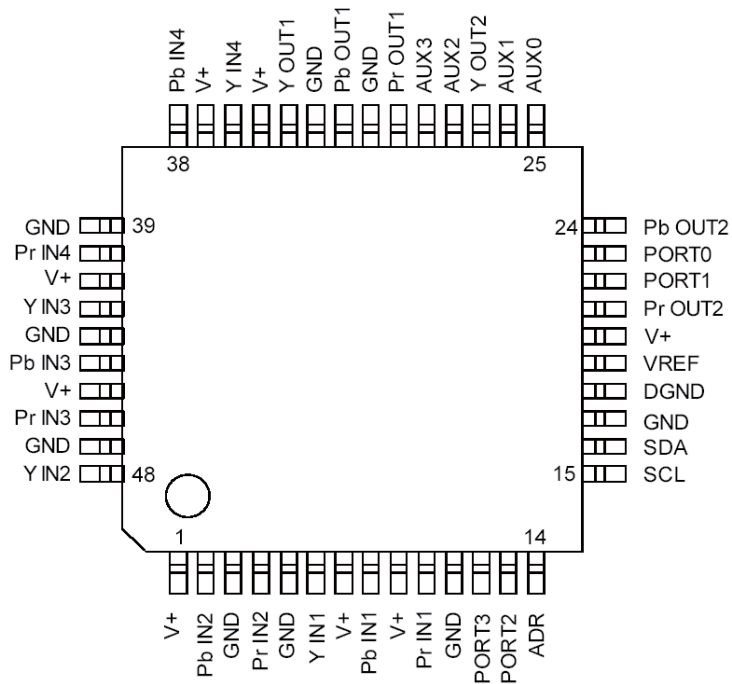
IC BLOCK DIAGRAM AND TERMINAL DESCRIPTIONS -55

Q2201: NJW1321FP1 (Video Switch, 100MHz)

BLOCK DIAGRAM



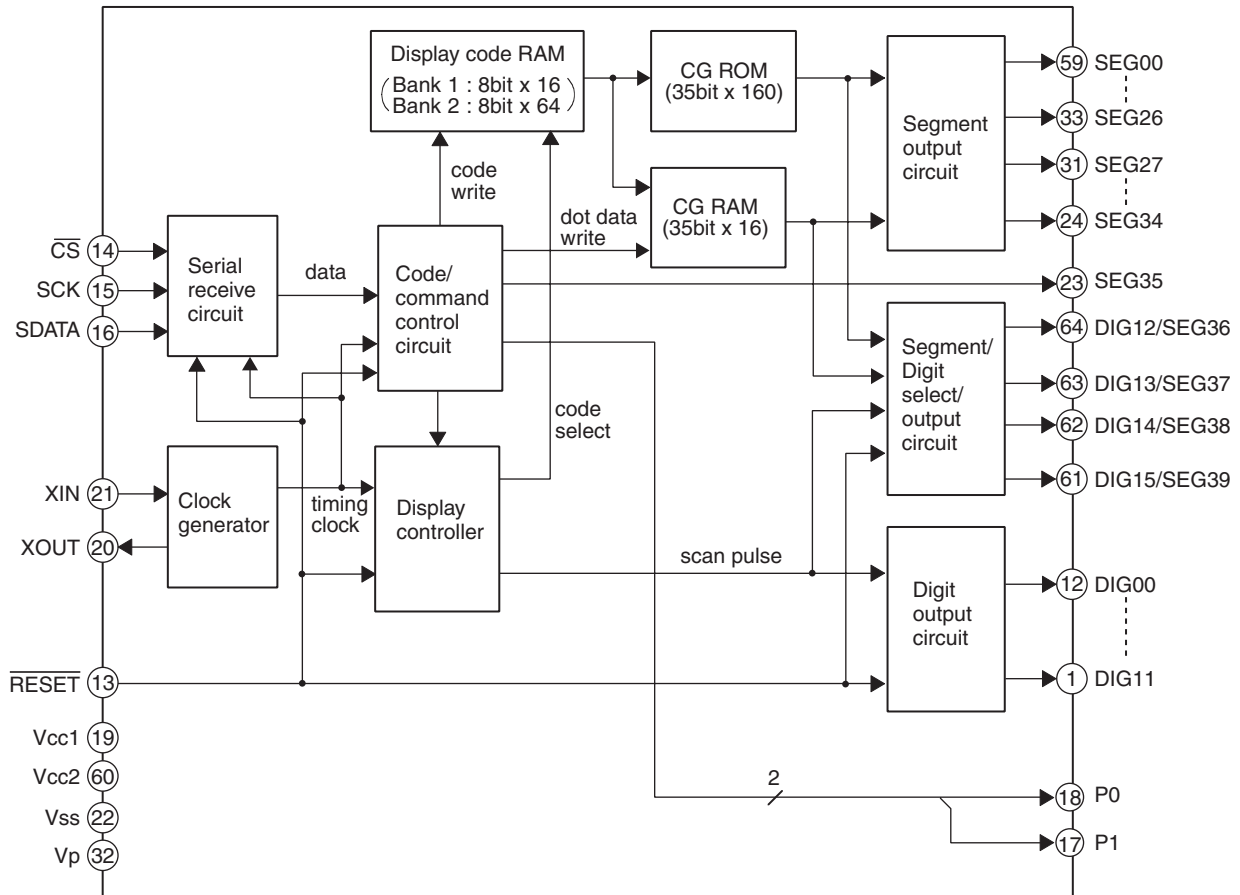
PIN CONFIGURATION



IC BLOCK DIAGRAM AND TERMINAL DESCRIPTIONS -56

Q7501, Q7502: M66005-0001AHP (FL Tube Driver)

BLOCK DIAGRAM



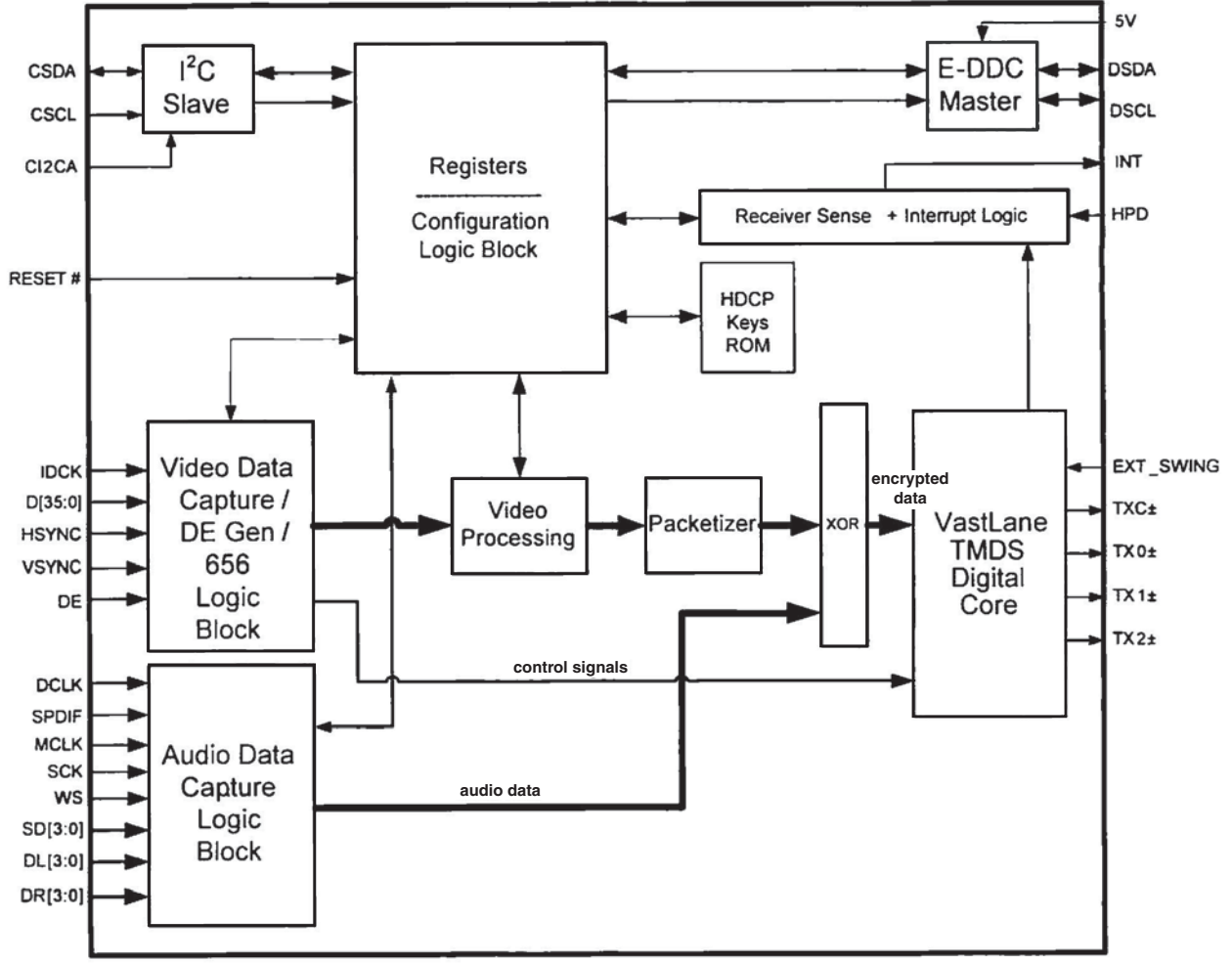
TERMINAL DESCRIPTION

PIN NO.	SYMBOL	PIN NAME	DESCRIPTION
13	$\overline{\text{RESET}}$	Reset input	This pin is used to initialize the internal state of the M66004.
14	$\overline{\text{CS}}$	Chip select input	"L" : Communication with the MCU is possible. "H" : Any instruction from the MCU is neglected.
15	SCK	Shift clock input	At the rising edge from "L" to "H", input data is shifted.
16	SDATA	Serial data input	Character code or command data to display is input from MSB.
21, 20	XIN, XOUT	Clock input Clock output	This pin is used to connect a resistor and a capacitor externally to set oscillation frequency.
1~12 61~64	DIG00 ~ DIG15	Digit output	These pins are used to connect to digit pins of VFD.
23~31 33~59	SEG00 ~ SEG39	Segment output	These pins are used to connect to segment pins of VFD.
17, 18	P0, P1		Output port (static operation)
19	VCC1		Positive power supply for internal logic.
60	VCC2		Positive power supply for high-pressure-resistant output port.
22	VSS		GND
32	VP		Negative power supply for VFD drive.

IC BLOCK DIAGRAMS AND TERMINAL DESCRIPTIONS -57

Q8401, Q8451: SII9134CTU (HDMI TRANSMITTER)

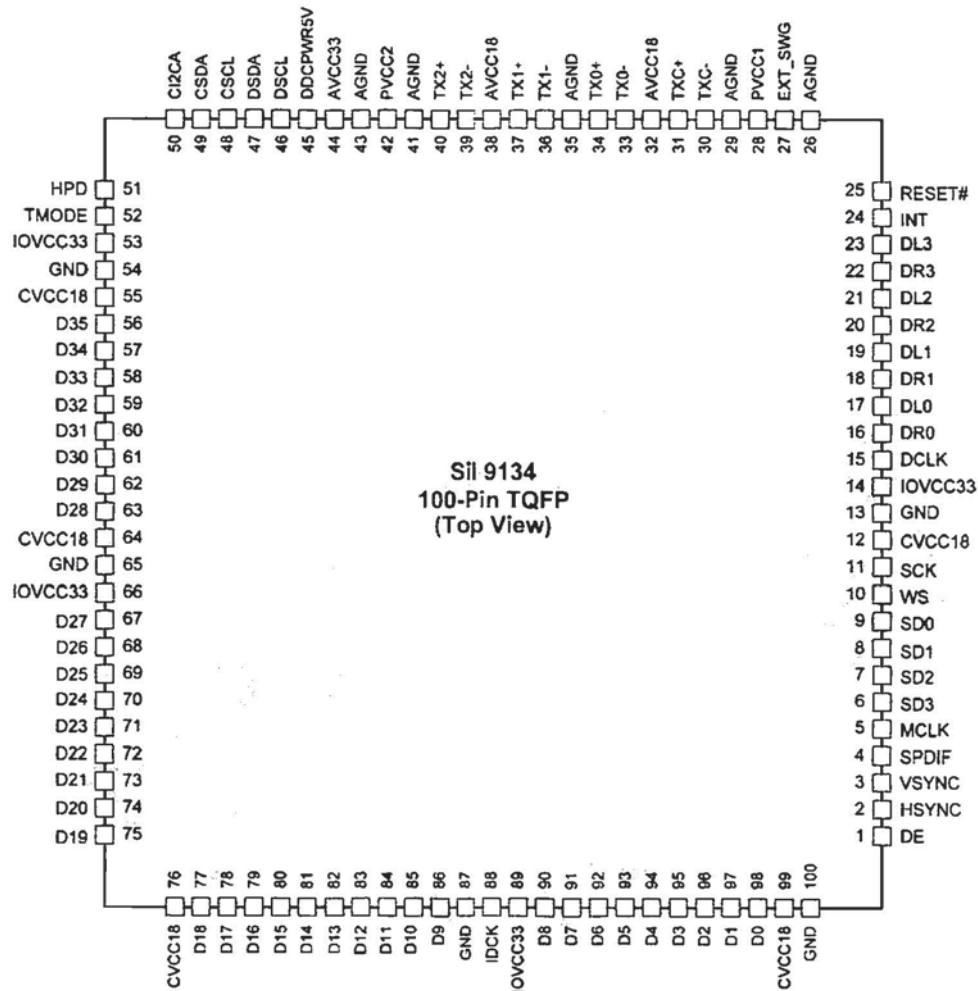
BLOCK DIAGRAM



IC BLOCK DIAGRAMS AND TERMINAL DESCRIPTIONS -58

Q8401, Q8451: SII9134CTU (HDMI TRANSMITTER)

PIN CONFIGURATION



TERMINAL DESCRIPTION(1/3)

Configuration/Programing Pins

Pin Name	Pin #	Type	Dir	Description
HPD	51	LVTTTL	Input	Hot Plug Detect Input
RSVDL	52	LVTTTL	Input	Reserved for use by Silicon Image and must be tied LOW.
INT	24	LVTTTL	Output	Interrupt Output.

Control Pins

Pin Name	Pin #	Type	Dir	Description
C12CA	50	LVTTTL	Input	I ² C device address select (see page 11)
RESET#	25	LVTTTL Schmitt	Input	Reset Pin (Active LOW) 5V Tolerant
CSCL	48	Schmitt	Input	I ² C Clock
CSDA	49	Schmitt- Open Drain	Bi-Di	I ² C Data (Open drain output.)
DSCL	46	Schmitt- Open Drain	Bi-Di	DDC Clock (Open Drain Output)
DSDA	47	Schmitt- Open Drain	Bi-Di	DDC Data (Open drain output.)

IC BLOCK DIAGRAMS AND TERMINAL DESCRIPTIONS -59

Q8401, Q8451: SII9134CTU (HDMI TRANSMITTER)

TERMINAL DESCRIPTION(2/3)

Video and Audio Pins-1

Pin Name	Pin #	Type	Dir	Description
D0	98	LVTTTL	Input	These are the lower 12 bits of the 36-bit pixel bus. These pins are highly configurable, and support multiple RGB and YCbCr formats. See Data Bus Mappings on page 30 for complete information.
D1	97	LVTTTL	Input	
D2	96	LVTTTL	Input	
D3	95	LVTTTL	Input	
D4	94	LVTTTL	Input	
D5	93	LVTTTL	Input	
D6	92	LVTTTL	Input	
D7	91	LVTTTL	Input	
D8	90	LVTTTL	Input	
D9	86	LVTTTL	Input	
D10	85	LVTTTL	Input	
D11	84	LVTTTL	Input	
D12	83	LVTTTL	Input	These are the middle 12 bits of the 36-bit pixel bus.
D13	82	LVTTTL	Input	
D14	81	LVTTTL	Input	
D15	80	LVTTTL	Input	
D16	79	LVTTTL	Input	
D17	78	LVTTTL	Input	
D18	77	LVTTTL	Input	
D19	75	LVTTTL	Input	
D20	74	LVTTTL	Input	
D21	73	LVTTTL	Input	
D22	72	LVTTTL	Input	
D23	71	LVTTTL	Input	
D24	70	LVTTTL	Input	
D25	69	LVTTTL	Input	
D26	68	LVTTTL	Input	
D27	67	LVTTTL	Input	
D28	63	LVTTTL	Input	
D29	62	LVTTTL	Input	
D30	61	LVTTTL	Input	
D31	60	LVTTTL	Input	
D32	59	LVTTTL	Input	
D33	58	LVTTTL	Input	
D34	57	LVTTTL	Input	
D35	56	LVTTTL	Input	

Power and Ground Pins

Pin Name	Pin #	Type	Description
CVCC18	12, 55, 64, 76, 99	Power	Digital Core VCC. Connect to 1.8V supply.
IOVCC33	14, 53, 66, 89	Power	IO Pin VCC. Connect to 3.3V supply.
AVCC33	44	Power	Analog VCC. Connect to 3.3V supply.
AVCC18	32, 38,	Power	Analog VCC. Connect to 1.8V supply.
AGND	26, 29, 35, 41,43	Ground	Analog GND.
PVCC1	28	Power	TMDS Core PLL Power. Connect to 1.8V supply.
PVCC2	42	Power	Filter PLL Power. Connect to 1.8V supply.
DDCPWR5V	45	Power	Power reference signal. Used to supply power to the DDC I2C pads when chip is powered off. Connect to 5V supply.
Gnd	13, 54, 65, 87,100	Ground	Digital Ground

IC BLOCK DIAGRAMS AND TERMINAL DESCRIPTIONS -60

Q8401, Q8451: SII9134CTU (HDMI TRANSMITTER)

TERMINAL DESCRIPTION(3/3)

Video and Audio Pins-2

Pin Name	Pin #	Type	Dir	Description
IDCK	88	LVTTTL	Input	Input Data Clock
DE	1	LVTTTL	Input	Data enable
HSYNC	2	LVTTTL	Input	Horizontal Sync input control signal
VSYNC	3	LVTTTL	Input	Vertical Sync input control signal
SCK	11	LVTTTL	Input	I ² S Serial Clock
WS	10	LVTTTL	Input	I ² S Word Select
SD0	9	LVTTTL	Input	I ² S Serial Data
SD1	8	LVTTTL	Input	I ² S Serial Data
SD2	7	LVTTTL	Input	I ² S Serial Data
SD3	6	LVTTTL	Input	I ² S Serial Data
DL0	17	LVTTTL	Input	One-bit Audio Data Left 0
DR0	16	LVTTTL	Input	One-bit Audio Data Right 0
DL1	19	LVTTTL	Input	One-bit Audio Data Left 1
DR1	18	LVTTTL	Input	One-bit Audio Data Right 1
DL2	21	LVTTTL	Input	One-bit Audio Data Left 2
DR2	20	LVTTTL	Input	One-bit Audio Data Right 2
DL3	23	LVTTTL	Input	One-bit Audio Data Left 3
DR3	22	LVTTTL	Input	One-bit Audio Data Right 3
DCLK	15	LVTTTL	Input	One-bit Audio Clock Input
MCLK	5	LVTTTL	Input	Audio Input Master Clock
SPDIF	4	LVTTTL	Input	S/PDIF Audio Input.

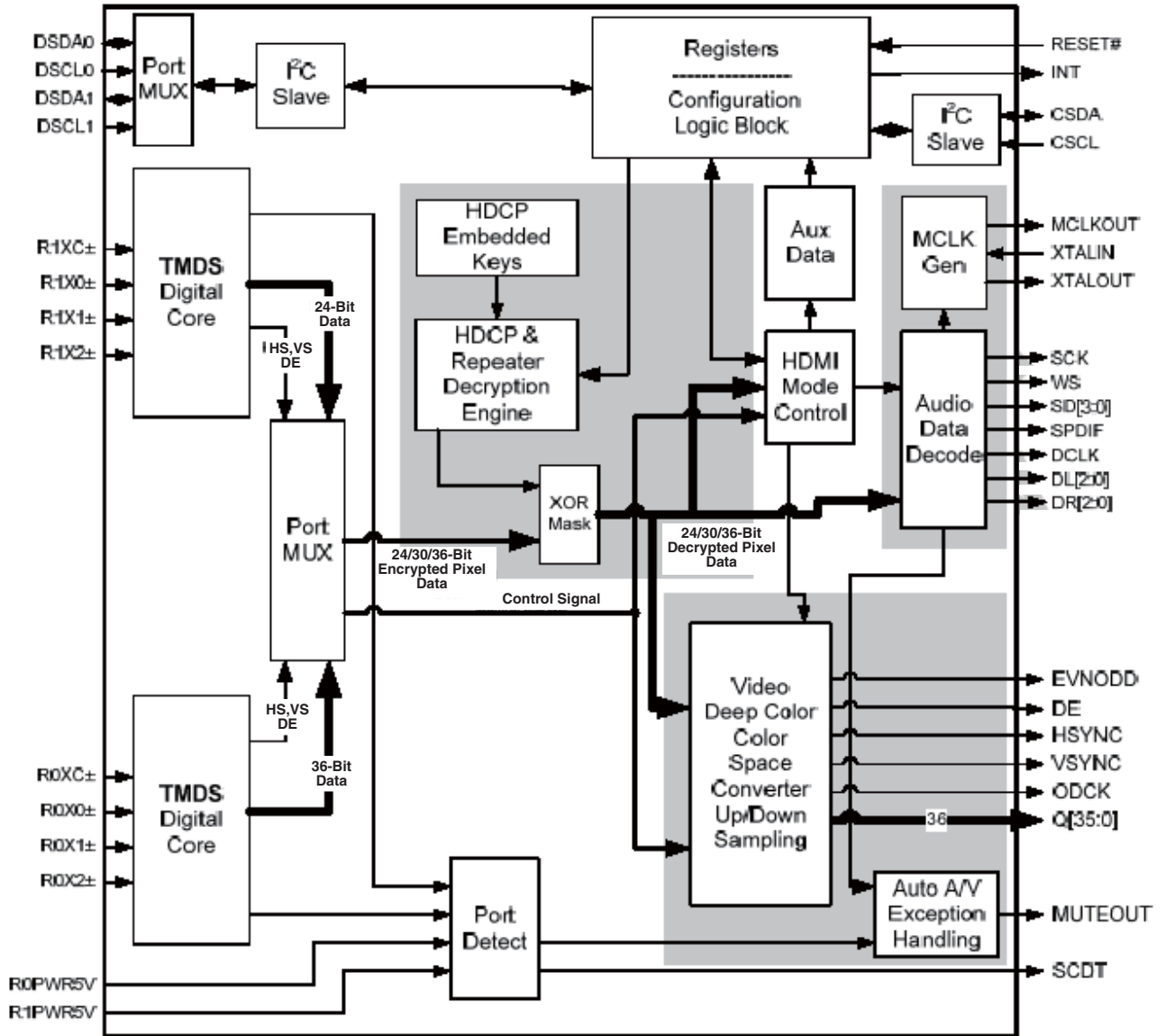
Differetial Signal Data Pins

Pin Name	Pin #	Type	Dir	Description
TX0+	34	TMDS	Output	TMDS output data pairs.
TX0-	33	TMDS	Output	
TX1+	37	TMDS	Output	
TX1-	36	TMDS	Output	
TX2+	40	TMDS	Output	
TX2-	39	TMDS	Output	
TXC+	31	TMDS	Output	TMDS output clock pair.
TXC-	30	TMDS	Output	
EXT_SWING	27	Analog	Input	Voltage Swing Adjust. A resistor is tied from this pin to AVCC. This resistor determines the amplitude of the voltage swing. Recommend 698 Ω 1% when source termination and leakage bias is on and 845 Ω 1% when source termination and leakage bias is off.

IC BLOCK DIAGRAMS AND TERMINAL DESCRIPTIONS -61

Q8501: SII9135CTU (HDMI RECEIVER)

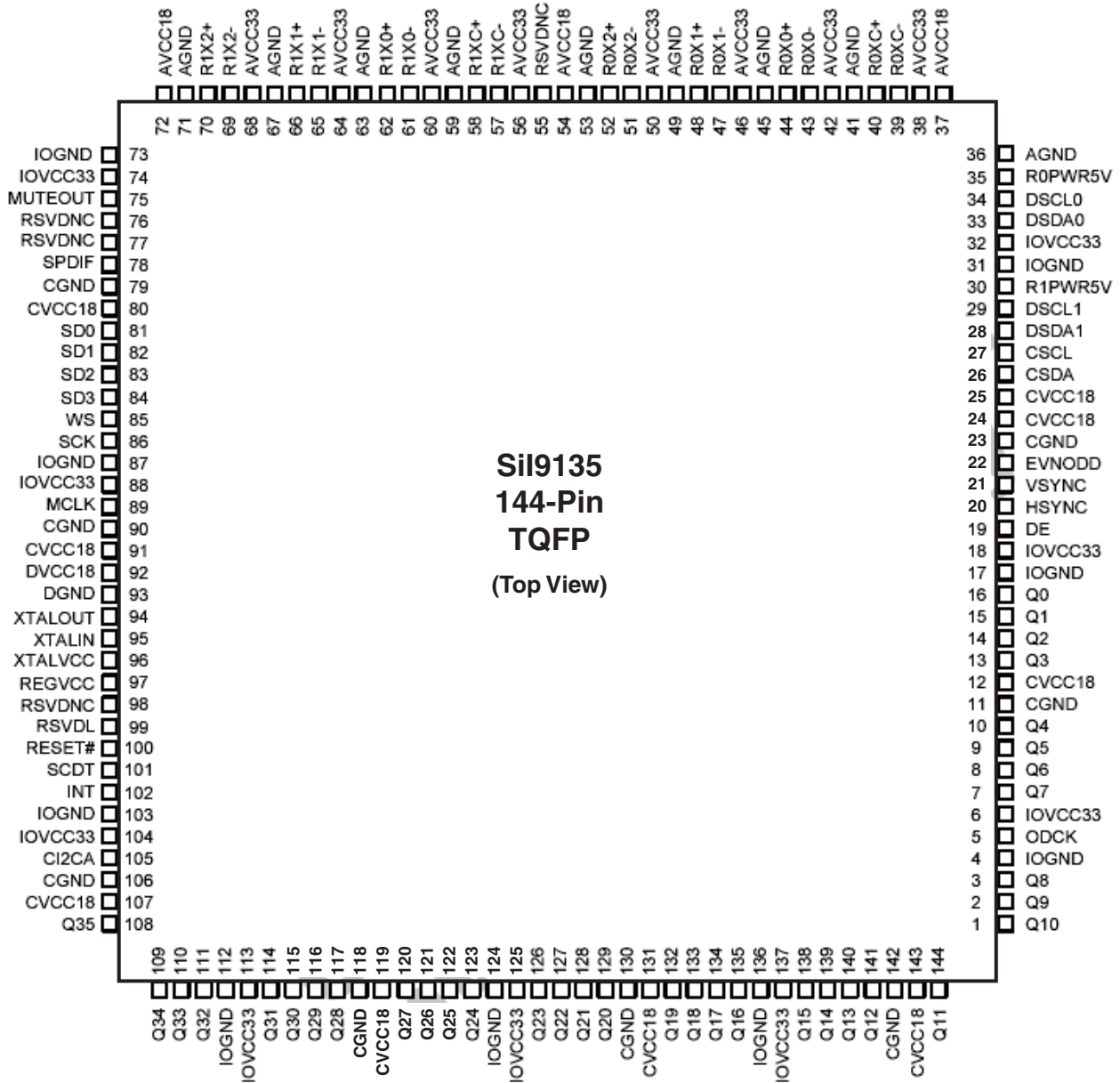
BLOCK DIAGRAM



IC BLOCK DIAGRAMS AND TERMINAL DESCRIPTIONS -62

Q8501: SII9135CTU (HDMI RECEIVER)

PIN CONFIGURATION



IC BLOCK DIAGRAMS AND TERMINAL DESCRIPTIONS -63

Q8501: SII9135CTU (HDMI RECEIVER)

TERMINAL DESCRIPTION(1/4)

Video and Audio Pins

Pin Name	Pin #	Strength	Type	Dir	Description
Q0	16	8 mA	LVTTL	Output	36-Bit Output Pixel Data Bus. Q35:0 is highly configurable using the VDD_CONFIG register. It supports a wide array of output formats, including multiple RGB and YCbCr bus formats. Using the appropriate bits in the PD register, the output drivers can be put into a high impedance (tri-state) mode. A weak, internal pull-down device brings each output to ground.
Q1	15		LVTTL	Output	
Q2	14		LVTTL	Output	
Q3	13		LVTTL	Output	
Q4	10		LVTTL	Output	
Q5	9		LVTTL	Output	
Q6	8		LVTTL	Output	
Q7	7		LVTTL	Output	
Q8	3		LVTTL	Output	
Q9	2		LVTTL	Output	
Q10	1		LVTTL	Output	
Q11	144		LVTTL	Output	
Q12	141		LVTTL	Output	
Q13	140		LVTTL	Output	
Q14	139		LVTTL	Output	
Q15	138		LVTTL	Output	
Q16	135		LVTTL	Output	
Q17	134		LVTTL	Output	
Q18	133		LVTTL	Output	
Q19	132		LVTTL	Output	
Q20	129		LVTTL	Output	
Q21	128		LVTTL	Output	
Q22	127		LVTTL	Output	
Q23	126		LVTTL	Output	
Q24	123		LVTTL	Output	
Q25	122		LVTTL	Output	
Q26	121		LVTTL	Output	
Q27	120		LVTTL	Output	
Q28	117		LVTTL	Output	
Q29	116		LVTTL	Output	
Q30	115		LVTTL	Output	
Q31	114		LVTTL	Output	
Q32	111		LVTTL	Output	
Q33	110		LVTTL	Output	
Q34	109		LVTTL	Output	
Q35	108	LVTTL	Output		
DE	19	8 mA	LVTTL	Output	Data Enable
HSYNC	20	8 mA	LVTTL	Output	Horizontal Sync Output
VSYNC	21	8 mA	LVTTL	Output	Vertical Sync Output
EVNODD	22	8 mA	LVTTL	Output	Indicates Even or Odd Field for Interlaced Formats
ODCK	5	12 mA	LVTTL	Output	Output Data Clock

IC BLOCK DIAGRAMS AND TERMINAL DESCRIPTIONS -64

Q8501: SII9135CTU (HDMI RECEIVER)

TERMINAL DESCRIPTION(2/4)

Digital Audio Output Pins

Pin Name	Pin #	Strength	Type	Dir	Description
XTALIN	95	---	5V Tolerant LVTTTL	In	Crystal Clock Input. Also allows LVTTTL input. Frequency required: 26-28.5 MHz
XTALOUT	94	4 mA	LVTTTL	Out	Crystal Clock Output
MCLK	89	8 mA	LVTTTL	Out	Audio Master Clock Output
SCK/DCLK	86	4 mA	LVTTTL	Out	I2S Serial Clock Output. DSD Clock Out.
WS/DR0	85	4 mA	LVTTTL	Out	I2S Word Select Output. DSD Serial Right Ch0 Data Output
SD0/DL0	81	4 mA	LVTTTL	Out	I2S Serial Data Output / DSD Audio Output Configurable to be shared with DSD. SD0 = DSD Serial Left Ch0 Data Output SD1 = DSD Serial Right Ch1 Data Output SD2 = DSD Serial Left Ch1 Data Output
SD1/DR1	82	4 mA	LVTTTL	Out	
SD2/DL1	83	4 mA	LVTTTL	Out	
SD3/DR2	84	4 mA	LVTTTL	Out	
SPDIF/DL2	78	4 mA	LVTTTL	Out	S/PDIF Audio Output. Configurable to be shared with DSD DSD Serial Left Ch2 Data Output
MUTEOUT	75	4 mA	LVTTTL	Out	Mute Audio Output. Signal to the external downstream audio device, audio DAC, etc. to downstream audio device, audio DAC, etc. to mute audio output.

Differential Signal Data Pins

Pin Name	Pin #	Type	Description	
R0XC+	40	Analog	TMDS Input Clock Pair	HDMI Port 0
R0XC-	39	Analog		
R0X0+	44	Analog	TMDS Input Data Pair	
R0X0-	43	Analog		
R0X1+	48	Analog	TMDS Input Data Pair	
R0X1-	47	Analog		
R0X2+	52	Analog	TMDS Input Data Pair	
R0X2-	51	Analog		
R1XC+	58	Analog	TMDS Input Clock Pair	HDMI Port 1
R1XC-	57	Analog		
R1X0+	62	Analog	TMDS Input Data Pair	
R1X0-	61	Analog		
R1X1+	66	Analog	TMDS Input Data Pair	
R1X1-	65	Analog		
R1X2+	70	Analog	TMDS Input Data Pair	
R1X2-	69	Analog		

IC BLOCK DIAGRAMS AND TERMINAL DESCRIPTIONS -65

Q8501: SII9135CTU (HDMI RECEIVER)

TERMINAL DESCRIPTION(3/4)

Configuration/Programming Pins

Pin Name	Pin #	Strength	Type	Dir	Description
INT	102	4 mA	LVTTTL	Out	Interrupt Output. Configurable polarity and pushpull output. Multiple sources of interrupt can be enabled through the INT_EN register. See Note 1.
RESET#	100	---	Schmitt	In	Reset Pin. Active LOW. 5V Tolerant
DSCLO	34	---	SchmittOD	In	DDC I2C Clock for Port 0. 5V Tolerant. HDCP KSV, An and Ri values are exchanged over an I2C port during authentication. True open drain, so does not pull to GND if R0PWR5V is not applied.
DSDA0	33	3 mA	SchmittOD	Bi-Di	DDC I2C Data for Port 0. 5V Tolerant. HDCP KSV, An and Ri values are exchanged over an I2C during authentication. True open drain, so does not pull to GND if R0PWR5V is not applied.
DSCL1	29	---	SchmittOD	In	DDC I2C Clock for Port 1. 5V Tolerant. 5V Tolerant. HDCP KSV, An and Ri values are exchanged over an I2C port during authentication. True open drain, so does not pull to GND if R1PWR5V is not applied.
DSDA1	28	3 mA	SchmittOD	Bi-Di	DDC I2C Data for Port 1. 5V Tolerant. 5V Tolerant. HDCP KSV, An and Ri values are exchanged over an I2C port during authentication. True open drain, so does not pull to GND if R1PWR5V is not applied.
CSCL	27	---	Schmitt	In	Configuration/Status I2C Clock. 5V Tolerant. Chip configuration/status, CEA-861 support and downstream HDCP repeater-specific registers are accessed via this I2C port. True open drain, so does not pull to GND if power is not applied.
CSDA	26	3 mA	Schmitt	Bi-Di	Configuration/Status I2C Data. 5V Tolerant. Chip configuration/status, CEA-861 support and downstream HDCP repeater-specific registers are accessed via this I2C port. True open drain, so does not pull to GND if power is not applied.
CI2CA	105		LLVTTL	In	Local I2C Address Select. 5V Tolerant. Low = Addresses 0x60/0x68 High = Addresses 0x62/0x6A
SCDT	101	12 mA	LLVTTL	Out	Indicates Active Video at HDMI Input Port. Sync detection indicator.
R0PWR5V	35	---	LLVTTL	In	Port 0 Transmitter Detect. 5V Tolerant. Used for MUTEIN function. See Note 2, 3.
R1PWR5V	30	---	LLVTTL	In	Port 1 Transmitter Detect. 5V Tolerant. Used for MUTEIN function. See Note 2,3.
RSVDNC	98,77,76,55				Reserved, must be left unconnected
RSVDL	99			In	Reserved, must be tied to ground

IC BLOCK DIAGRAMS AND TERMINAL DESCRIPTIONS -66

Q8501: SII9135CTU (HDMI RECEIVER)

TERMINAL DESCRIPTION(4/4)

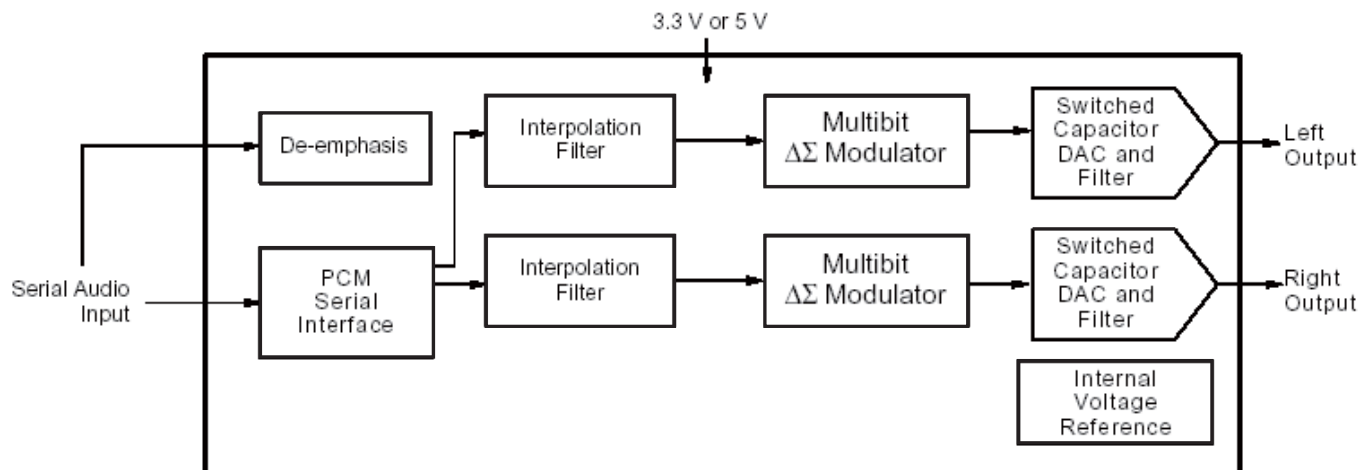
Power and Ground Pins

Pin Name	Pin #	Type	Description	Supply
CVCC18	12,24,25,80,91,107,119,131,143	Power	Digital Logic VCC	1.8V
CGND	11,23,79,90,106,118,130,142	Ground	Digital Logic GND	
IOVCC33	6,18,32,74,88,104,113,125,137	Power	Input/Output Pin VCC	3.3V
IOGND	4,17,31,73,87,103,112,124,136	Ground	Input/Output Pin GND	
AVCC33	38,42,46,50,56,60,64,68	Power	TMDS Analog VCC 3.3V	3.3V
AGND	36,41,45,49,53,59,63,67,71	Ground	TMDS Analog GND	
AVCC18	37,54,72	Power	TMDS Analog VCC 1.8V	1.8V
DVCC18	92	Power	Audio Clock Regeneration PLL Analog VCC. Must be connected to 1.8V	1.8V
DGND	93	Ground	Audio Clock Regeneration PLL Analog Ground	
XTALVCC	96	Power	Audio Clock Regeneration PLL Crystal Oscillator Power. Must be connected to 3.3V	3.3V
REGVCC	97	Power	Audio Clock Regeneration PLL Crystal Oscillator Power. Must be connected to 3.3V	3.3V

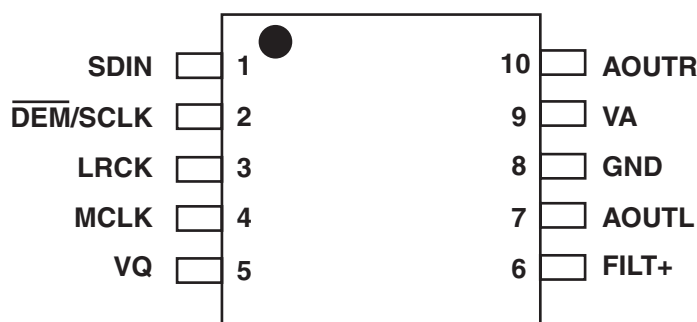
IC BLOCK DIAGRAMS AND TERMINAL DESCRIPTIONS -67

Q101, Q4: CS4344-CZZR (24bit, 192kHz, Stereo, DAC)

BLOCK DIAGRAM



PIN CONFIGURATION



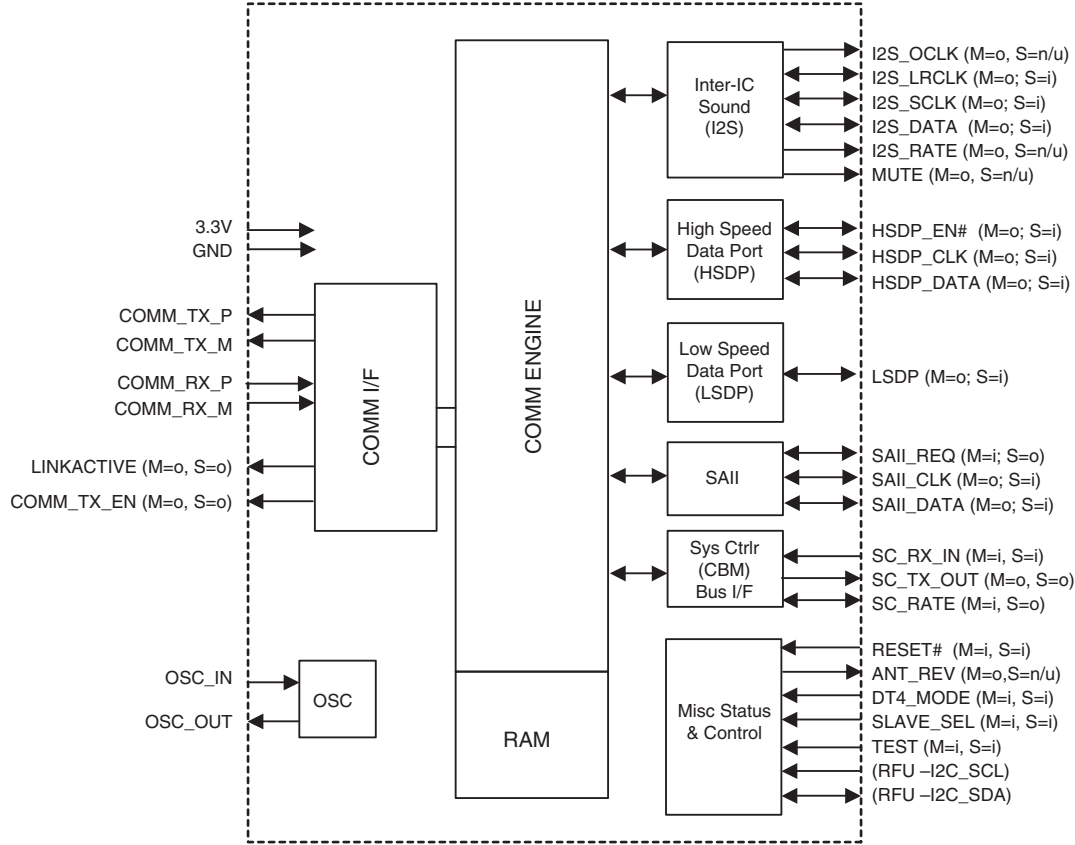
TERMINAL DESCRIPTION

Pin Name	#	Pin Description
SDIN	1	Serial Audio Data Input (Input) - Input for two's complement serial audio data.
$\overline{\text{DEM/SCLK}}$	2	De-Emphasis/External Serial Clock Input (Input) - used for de-emphasis filter control or external serial clock input.
LRCK	3	Left Right Clock (Input) - Determines which channel, Left or Right, is currently active on the serial audio data line.
MCLK	4	Master Clock (Input) - Clock source for the delta-sigma modulator and digital filters.
VQ	5	Quiescent Voltage (Output) - Filter connection for internal quiescent voltage.
FILT+	6	Positive Voltage Reference (Output) - Positive reference voltage for the internal sampling circuits.
AOUTL	7	Left Channel Analog Output (Output) - The full scale analog output level is specified in the Analog Characteristics specification table.
GND	8	Ground (Input) - ground reference.
VA	9	Analog Power (Input) - Positive power for the analog and digital sections.
AOUTR	10	Right Channel Analog Output (Output) - The full scale analog output level is specified in the Analog Characteristics specification table.

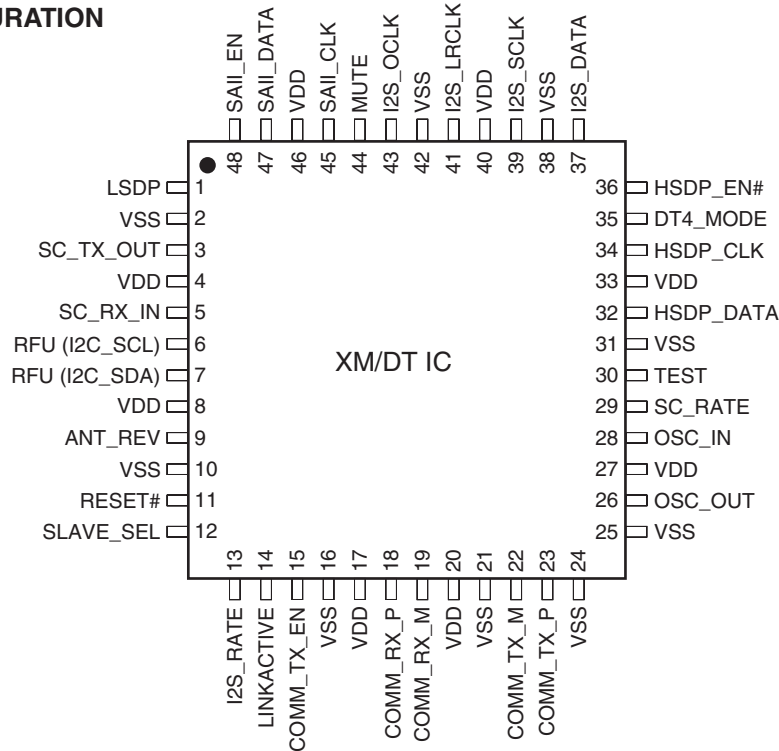
IC BLOCK DIAGRAMS AND TERMINAL DESCRIPTIONS -68

Q103 : F2628E-01 (XM Digital Transceiver)

BLOCK DIAGRAM



PIN CONFIGURATION



IC BLOCK DIAGRAMS AND TERMINAL DESCRIPTIONS -69

Q103 : F2628E-01 (XM Digital Transceiver)

TERMINAL DESCRIPTION(1/2)

Pin No.	Pin Name	Direction	Function in Slave Mode	Function in Master Mode	Notes
1	LSDP	S=In M=Out	Low Speed Data Port Input	Low Speed Data Port Output	Out= 4mA, SLC In=LVTTTL S/T
3	SC_TX_OUT	S=Out M=Out	System Controller Bus (CBM) Transmit Data Out	System Controller Bus (CBM) Transmit Data Out	4mA, SLC
5	SC_RX_IN	S=In M=In	System Controller Bus (CBM) Receive Data In	System Controller Bus (CBM) Receive Data In	LVTTTL S/T
6	RFU (I2C-SCL)	S=In M=In	Reserved for Future Use (pull down with a 100k resistor to Ground)	Reserved for Future Use (pull down with a 100k resistor to Ground)	LVTTTL S/T
7	RFU (I2C-SDA)	S=In M=In	Reserved for Future Use (pull down with a 100k resistor to Ground)	Reserved for Future Use (pull down with a 100k resistor to Ground)	LVTTTL S/T
9	ANT_REV	S=n/u M=Out	Not used in Slave mode, leave unconnected	Indication of incompatible antenna (refer to section 4.3.2 for usage)	4mA, SLC
11	RESET#	S=In M=In	Asynchronous Reset In, (Active Low)	Asynchronous Reset In, (Active Low)	LVTTTL S/T
12	SLAVE_SEL	S=In M=In	Master/Slave Mode Select In (High = Slave Mode)	Master/Slave Mode Select In (Low = Master Mode)	LVTTTL S/T
13	I2S_RATE	S=Out M=Out	Output driven high, leave unconnected	Indicator of incoming I2S data rate (see section 4.4.2)	4mA, SLC
14	LINKACTIVE	S=Out M=Out	Link Active indicator (High = DT bus link is active and data is flowing)	Link Active indicator (High = DT bus link is active and data is flowing)	4mA, SLC
15	COMM_TX_EN	S=Out M=Out	DT Comm Bus External Transceiver Direction Control Output (0=Tx, 1=Rx)	DT Comm Bus External Transceiver Direction Control Output (0=Tx, 1=Rx)	4mA, SLC
18	COMM_RX_P	S=In M=In	DT Differential Comm Bus Internal Receiver Positive In	DT Differential Comm Bus Internal Receiver Positive In	LVDS in+
19	COMM_RX_M	S=In M=In	DT Differential Comm Bus Internal Receiver Negative In	DT Differential Comm Bus Internal Receiver Negative In	LVDS in-
22	COMM_TX_M	S=Out M=Out	DT Differential Comm Bus Internal Transmitter Negative Out	DT Differential Comm Bus Internal Transmitter Negative Out	LVDS out-
23	COMM_TX_P	S=Out M=Out	DT Differential Comm Bus Internal Transmitter Positive Out	DT Differential Comm Bus Internal Transmitter Positive Out	LVDS out+
26	OSC_OUT	S=Out M=Out	Crystal Driver Output	Crystal Driver Output	
28	OSC_IN	S=In M=In	Crystal/ Ext. Clock Input	Crystal/ Ext. Clock Input	
29	SC_RATE (Rev 4A only, pull down for rev 3B)	S=Out M=In	SC interface baud rate Output (High = DT4_MODE is high and the Master DTIC is operating at 115.2K baud)	SC interface baud rate select Input (High = 115.2K baud, Low = 9600 baud)	Out= 4mA, SLC In=LVTTTL S/T
30	TEST	S=In M=In	Factory Test Mode Select (1=Test, 0= Normal Oper.)	Factory Test Mode Select (1=Test, 0= Normal Oper.)	LVTTTL S/T

IC BLOCK DIAGRAMS AND TERMINAL DESCRIPTIONS -70

Q103 : F2628E-01 (XM Digital Transceiver)

TERMINAL DESCRIPTION(2/2)

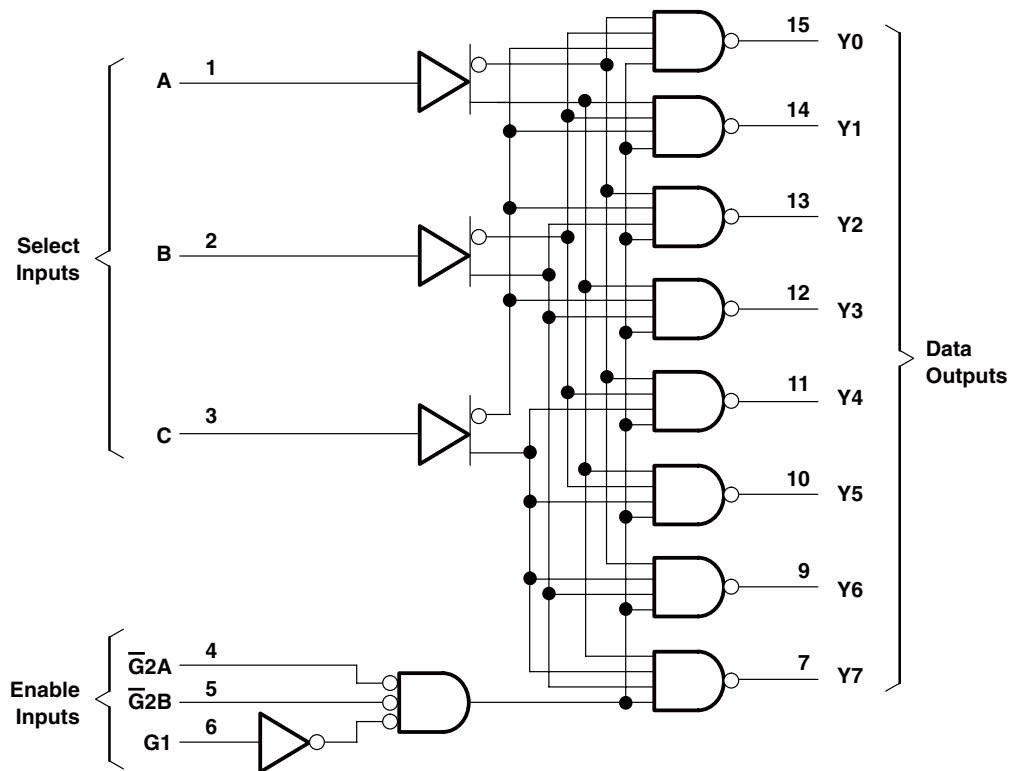
Pin No.	Pin Name	Direction	Function in Slave Mode	Function in Master Mode	Notes
32	HSDP_DATA	S=In M=Out	High Speed Data Port Data Input	High Speed Data Port Data Output	Out= 4mA, SLC In=LVTTL S/T
34	HSDP_CLK	S=In M=Out	High Speed Data Port Clock Input	High Speed Data Port Clock Output	Out= 4mA, SLC In=LVTTL S/T
35	DT4_MODE	S=In M=In	Enables/Disables driver on SC_RATE and ANT_REV (High = enable driver) This pin was VSS on rev 3 XM/DT IC	Enables/Disables drivers on MUTE and ANT_REV (High = enable drivers) This pin was VSS on rev 3 XM/DT IC	In=LVTTL S/T
36	HSDP_EN#	S=In M=Out	High Speed Data Port Enable Input (Active low)	High Speed Data Port Enable Output (Active low)	Out= 4mA, SLC In=LVTTL S/T
37	I2S_DATA	S=In M=Out	I2S Digital Audio Port Data In	I2S Digital Audio Port Data Out	Out= 4mA, SLC In=LVTTL S/T
39	I2S_SCLK	S=In M=Out	I2S Digital Audio Port Bit Clock In	I2S Digital Audio Port Bit Clock Out	Out= 4mA, SLC In=LVTTL S/T
41	I2S_LRCLK	S=In M=Out	I2S Digital Audio Port Left/Right Clock In	I2S Digital Audio Port Left/Right Clock Out	Out= 4mA, SLC In=LVTTL S/T
43	I2S_OCLK	S=In M=Out	I2S Digital Audio Port Oversample Clock (not used, leave unconnected)	I2S Digital Audio Port Oversample Clock Out	Out= 4mA, SLC
44	MUTE	S=n/u M=Out	Not used in Slave mode, leave unconnected	Provides a mechanism for muting the audio during an I2S rate change (High=mute)	Out= 4mA, SLC
45	SAII_CLK	S=Out M=In	SAII Port Clock Output	SAII Port Clock Input	Out= 4mA, SLC In=LVTTL S/T
47	SAII_DATA	S=Out M=In	SAII Port Data Output	SAII Port Data Input	Out= 4mA, SLC In=LVTTL S/T
48	SAII_REQ	S=In M=Out	SAII Port Request Input	SAII Port Request Output	Out= 4mA, SLC In=LVTTL S/T

Pin#	Pin Name	Type	Function in Slave Mode	Function in Master Mode	Notes
4, 8, 17, 20, 27, 33, 40, 46	VDD	PWR	+3.3V Supply Voltage	+3.3V Supply Voltage	
2, 10, 16, 21, 24, 25, 31, 38, 42	VSS	GND	Digital Ground	Digital Ground	

IC BLOCK DIAGRAMS AND TERMINAL DESCRIPTIONS -71

Q7172: TC74VHC138FT (3-8 Line Decoder)

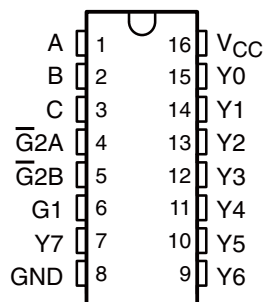
BLOCK DIAGRAM



Logic Diagram

ENABLE INPUTS			SELECT INPUTS			OUTPUTS							
G1	$\bar{G}2A$	$\bar{G}2B$	C	B	A	Y0	Y1	Y2	Y3	Y4	Y5	Y6	Y7
X	H	X	X	X	X	H	H	H	H	H	H	H	H
X	X	H	X	X	X	H	H	H	H	H	H	H	H
L	X	X	X	X	X	H	H	H	H	H	H	H	H
H	L	L	L	L	L	L	H	H	H	H	H	H	H
H	L	L	L	L	H	H	L	H	H	H	H	H	H
H	L	L	L	H	L	H	H	L	H	H	H	H	H
H	L	L	L	H	H	H	H	L	H	H	H	H	H
H	L	L	H	L	L	H	H	H	H	L	H	H	H
H	L	L	H	L	H	H	H	H	H	H	L	H	H
H	L	L	H	H	L	H	H	H	H	H	H	L	H
H	L	L	H	H	H	H	H	H	H	H	H	H	L

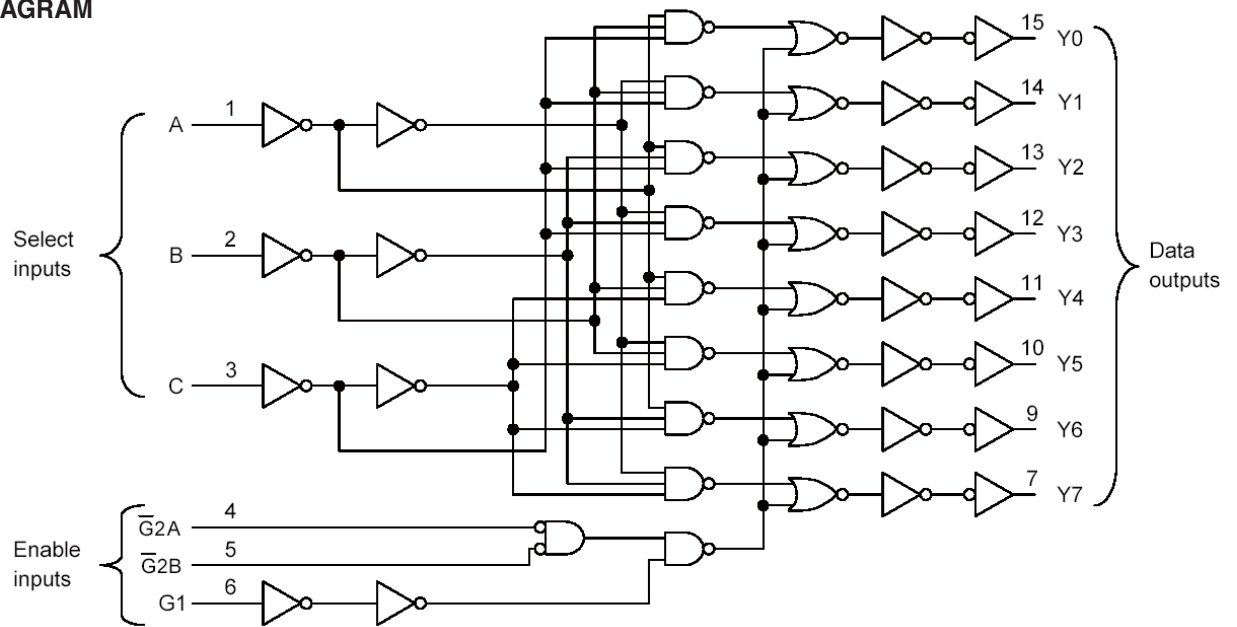
PIN CONFIGURATION



IC BLOCK DIAGRAMS AND TERMINAL DESCRIPTIONS -72

Q7171: TC74VHC238FT (3-8 Line Decoder)

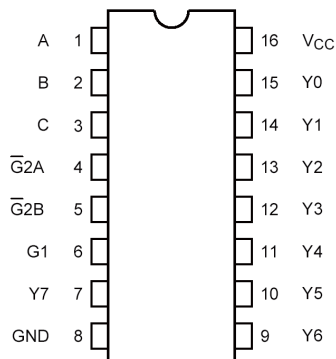
BLOCK DIAGRAM



Logic Diagram

Inputs						Outputs								Selected Output
Enable			Select			Y0	Y1	Y2	Y3	Y4	Y5	Y6	Y7	
G1	$\overline{G2A}$	$\overline{G2B}$	C	B	A									
L	X	X	X	X	X	L	L	L	L	L	L	L	L	None
X	H	X	X	X	X	L	L	L	L	L	L	L	L	None
X	X	H	X	X	X	L	L	L	L	L	L	L	L	None
H	L	L	L	L	L	H	L	L	L	L	L	L	L	Y0
H	L	L	L	L	H	L	H	L	L	L	L	L	L	Y1
H	L	L	L	H	L	L	L	H	L	L	L	L	L	Y2
H	L	L	L	H	H	L	L	L	H	L	L	L	L	Y3
H	L	L	H	L	L	L	L	L	L	H	L	L	L	Y4
H	L	L	H	L	H	L	L	L	L	L	H	L	L	Y5
H	L	L	H	H	L	L	L	L	L	L	L	H	L	Y6
H	L	L	H	H	H	L	L	L	L	L	L	L	H	Y7

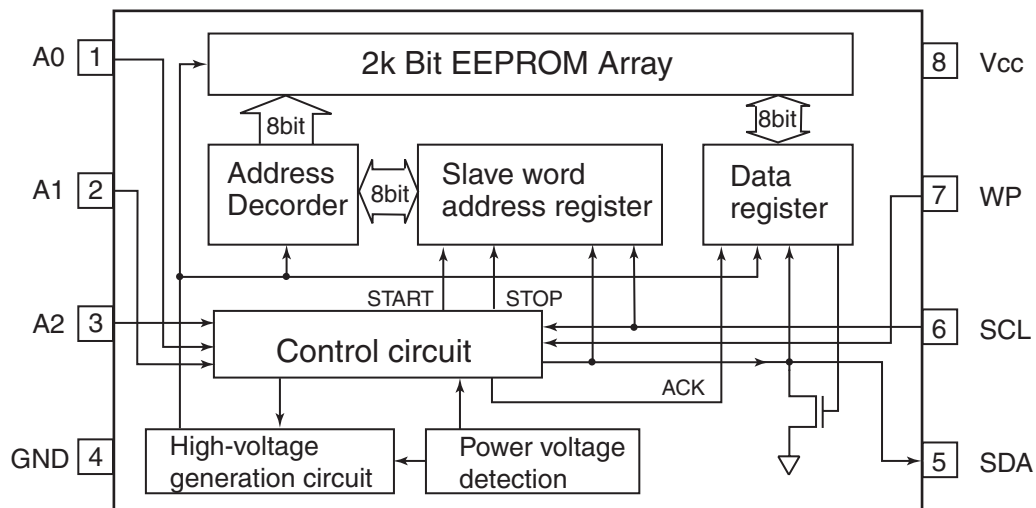
PIN CONFIGURATION



IC BLOCK DIAGRAMS AND TERMINAL DESCRIPTIONS -73

Q8105, Q8125, Q8155, Q8175: BR24L02FV-W(256x8 bit EEPROM)

BLOCK DIAGRAM AND PIN CONFIGURATION



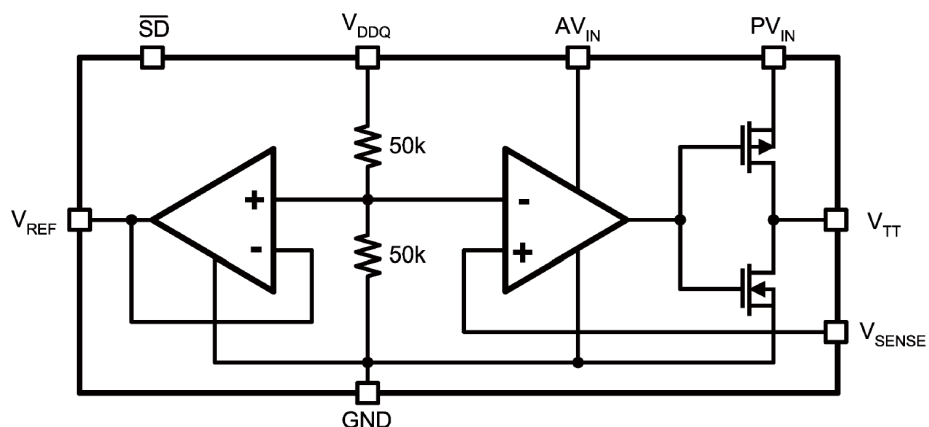
TERMINAL DESCRIPTION

Terminal	I/O	Function
Vcc	-	Apply a power source
GND	-	Ground terminal
A0,A1,A2	I	Slave address setting terminal
SCL	I	Serial clock input
SDA	I/O	Slave and word address. Serial data input and output
WP	I	Write protect terminal

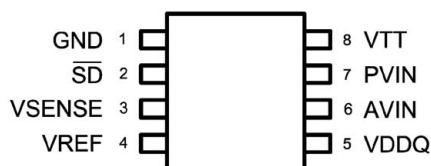
IC BLOCK DIAGRAMS AND TERMINAL DESCRIPTIONS -74

U8067: LP2996MX (DDR-SDRAM Termination Regulator)

BLOCK DIAGRAM



PIN CONFIGURATION



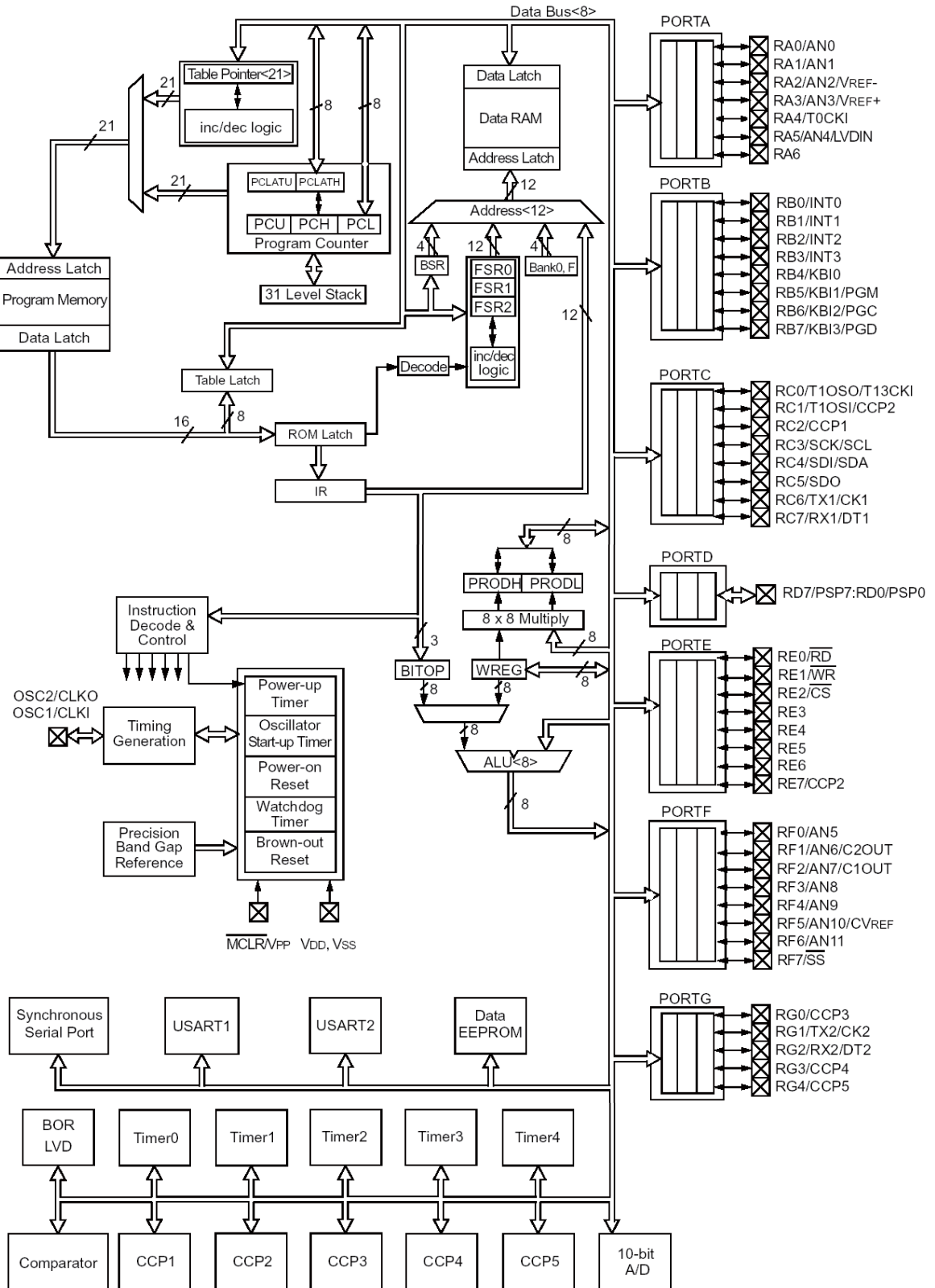
TERMINAL DESCRIPTION

PIN	DESCRIPTION
AVIN AND PVIN	AVIN and PVIN are the input supply pins for the LP2996. AVIN is used to supply all the internal control circuitry.
VDDQ	VDDQ is the input used to create the internal reference voltage for regulating V_{TT} . The reference voltage is generated from a resistor divider of two internal 50 kohm resistor.
V_{SENSE}	The purpose of the sense pin is to provide improved remote load regulation.
SHUTDOWN	The LP2996 contains an active low shutdown pin that can be used to tri-state V_{TT} .
V_{REF}	V_{REF} provides the buffered output of the internal reference voltage $VDDQ / 2$.
V_{TT}	V_{TT} is the regulated output that is used to terminate the bus resistors. It is capable of sinking and sourcing current while regulating the output precisely to $VDDQ / 2$.

IC BLOCK DIAGRAMS AND TERMINAL DESCRIPTIONS -75

Q1001: PIC18F66(1 Mbit Flash Microcontroller with Ethernet)

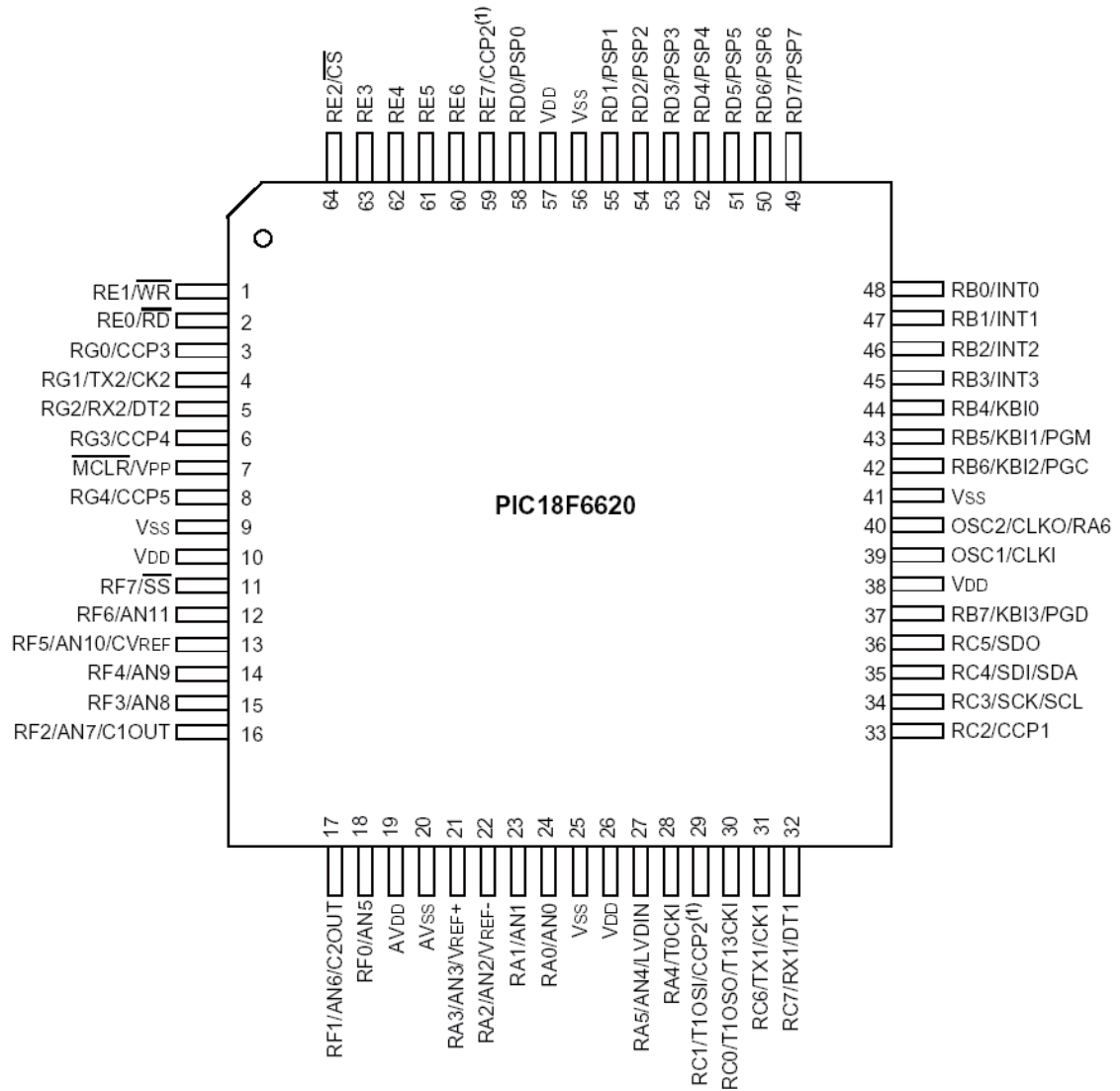
BLOCK DIAGRAM



IC BLOCK DIAGRAMS AND TERMINAL DESCRIPTIONS -76

Q1001: PIC18F66(1 Mbit Flash Microcontroller with Ethernet)

PIN CONFIGURATION



IC BLOCK DIAGRAMS AND TERMINAL DESCRIPTIONS -77

Q1001: PIC18F66(1 Mbit Flash Microcontroller with Ethernet)

TERMINAL DESCRIPTION(1/8)

Pin Name	Pin Number		Pin Type	Buffer Type	Description
	PIC18F6X20	PIC18F8X20			
MCLR/VPP MCLR VPP	7	9	I P	ST	Master Clear (input) or programming voltage (output). Master Clear (Reset) input. This pin is an active-low Reset to the device. Programming voltage input.
OSC1/CLKI OSC1 CLKI	39	49	I I	CMOS/ST CMOS	Oscillator crystal or external clock input. Oscillator crystal input or external clock source input. ST buffer when configured in RC mode; otherwise CMOS. External clock source input. Always associated with pin function OSC1 (see OSC1/CLKI, OSC2/CLKO pins).
OSC2/CLKO/RA6 OSC2 CLKO RA6	40	50	O O I/O	— — TTL	Oscillator crystal or clock output. Oscillator crystal output. Connects to crystal or resonator in Crystal Oscillator mode. In RC mode, OSC2 pin outputs CLKO, which has 1/4 the frequency of OSC1 and denotes the instruction cycle rate. General purpose I/O pin.

Legend: TTL = TTL compatible input
ST = Schmitt Trigger input with CMOS levels
I = Input
P = Power
CMOS = CMOS compatible input or output
Analog = Analog input
O = Output
OD = Open-Drain (no P diode to VDD)

Pin Name	Pin Number		Pin Type	Buffer Type	Description
	PIC18F6X20	PIC18F8X20			
RA0/AN0 RA0 AN0	24	30	I/O I	TTL Analog	PORTA is a bidirectional I/O port. Digital I/O. Analog input 0.
RA1/AN1 RA1 AN1	23	29	I/O I	TTL Analog	Digital I/O. Analog input 1.
RA2/AN2/VREF- RA2 AN2 VREF-	22	28	I/O I I	TTL Analog Analog	Digital I/O. Analog input 2. A/D reference voltage (Low) input.
RA3/AN3/VREF+ RA3 AN3 VREF+	21	27	I/O I I	TTL Analog Analog	Digital I/O. Analog input 3. A/D reference voltage (High) input.
RA4/T0CKI RA4 T0CKI	28	34	I/O I	ST/OD ST	Digital I/O – Open-drain when configured as output. Timer0 external clock input.
RA5/AN4/LVDIN RA5 AN4 LVDIN RA6	27	33	I/O I I	TTL Analog Analog	Digital I/O. Analog input 4. Low-Voltage Detect input. See the OSC2/CLKO/RA6 pin.

IC BLOCK DIAGRAMS AND TERMINAL DESCRIPTIONS -78

Q1001: PIC18F66(1 Mbit Flash Microcontroller with Ethernet)

TERMINAL DESCRIPTION(2/8)

Pin Name	Pin Number		Pin Type	Buffer Type	Description
	PIC18F6X20	PIC18F8X20			
RB0/INT0 RB0 INT0	48	58	I/O I	TTL ST	PORTB is a bidirectional I/O port. PORTB can be software programmed for internal weak pull-ups on all inputs. Digital I/O. External interrupt 0.
RB1/INT1 RB1 INT1	47	57	I/O I	TTL ST	Digital I/O. External interrupt 1.
RB2/INT2 RB2 INT2	46	56	I/O I	TTL ST	Digital I/O. External interrupt 2.
RB3/INT3/CCP2 RB3 INT3 CCP2 ⁽¹⁾	45	55	I/O I/O I/O	TTL ST ST	Digital I/O. External interrupt 3. Capture2 input, Compare2 output, PWM2 output.
RB4/KBI0 RB4 KBI0	44	54	I/O I	TTL ST	Digital I/O. Interrupt-on-change pin.
RB5/KBI1/PGM RB5 KBI1 PGM	43	53	I/O I I/O	TTL ST ST	Digital I/O. Interrupt-on-change pin. Low-Voltage ICSP Programming enable pin.
RB6/KBI2/PGC RB6 KBI2 PGC	42	52	I/O I I/O	TTL ST ST	Digital I/O. Interrupt-on-change pin. In-Circuit Debugger and ICSP programming clock.
RB7/KBI3/PGD RB7 KBI3 PGD	37	47	I/O I/O	TTL ST	Digital I/O. Interrupt-on-change pin. In-Circuit Debugger and ICSP programming data.

IC BLOCK DIAGRAMS AND TERMINAL DESCRIPTIONS -79

Q1001: PIC18F66(1 Mbit Flash Microcontroller with Ethernet)

TERMINAL DESCRIPTION(3/8)

Pin Name	Pin Number		Pin Type	Buffer Type	Description
	PIC18F6X20	PIC18F8X20			
RC0/T1OSO/T13CKI	30	36			PORTC is a bidirectional I/O port.
RC0			I/O	ST	Digital I/O.
T1OSO			O	—	Timer1 oscillator output.
T13CKI			I	ST	Timer1/Timer3 external clock input.
RC1/T1OSI/CCP2	29	35			
RC1			I/O	ST	Digital I/O.
T1OSI			I	CMOS	Timer1 oscillator input.
CCP2 ⁽²⁾			I/O	ST	Capture2 input/Compare2 output/ PWM2 output.
RC2/CCP1	33	43			
RC2			I/O	ST	Digital I/O.
CCP1			I/O	ST	Capture1 input/Compare1 output/ PWM1 output.
RC3/SCK/SCL	34	44			
RC3			I/O	ST	Digital I/O.
SCK			I/O	ST	Synchronous serial clock input/output for SPI mode.
SCL			I/O	ST	Synchronous serial clock input/output for I ² C mode.
RC4/SDI/SDA	35	45			
RC4			I/O	ST	Digital I/O.
SDI			I	ST	SPI data in.
SDA			I/O	ST	I ² C data I/O.
RC5/SDO	36	46			
RC5			I/O	ST	Digital I/O.
SDO			O	—	SPI data out.
RC6/TX1/CK1	31	37			
RC6			I/O	ST	Digital I/O.
TX1			O	—	USART 1 asynchronous transmit.
CK1			I/O	ST	USART 1 synchronous clock (see RX1/DT1).
RC7/RX1/DT1	32	38			
RC7			I/O	ST	Digital I/O.
RX1			I	ST	USART 1 asynchronous receive.
DT1			I/O	ST	USART 1 synchronous data (see TX1/CK1).

IC BLOCK DIAGRAMS AND TERMINAL DESCRIPTIONS -80

Q1001: PIC18F66(1 Mbit Flash Microcontroller with Ethernet)

TERMINAL DESCRIPTION(4/8)

Pin Name	Pin Number		Pin Type	Buffer Type	Description
	PIC18F6X20	PIC18F8X20			
RD0/PSP0/AD0 RD0 PSP0 AD0 ⁽³⁾	58	72	I/O I/O I/O	ST TTL TTL	PORTD is a bidirectional I/O port. These pins have TTL input buffers when external memory is enabled. Digital I/O. Parallel Slave Port data. External memory address/data 0.
RD1/PSP1/AD1 RD1 PSP1 AD1 ⁽³⁾	55	69	I/O I/O I/O	ST TTL TTL	Digital I/O. Parallel Slave Port data. External memory address/data 1.
RD2/PSP2/AD2 RD2 PSP2 AD2 ⁽³⁾	54	68	I/O I/O I/O	ST TTL TTL	Digital I/O. Parallel Slave Port data. External memory address/data 2.
RD3/PSP3/AD3 RD3 PSP3 AD3 ⁽³⁾	53	67	I/O I/O I/O	ST TTL TTL	Digital I/O. Parallel Slave Port data. External memory address/data 3.
RD4/PSP4/AD4 RD4 PSP4 AD4 ⁽³⁾	52	66	I/O I/O I/O	ST TTL TTL	Digital I/O. Parallel Slave Port data. External memory address/data 4.
RD5/PSP5/AD5 RD5 PSP5 AD5 ⁽³⁾	51	65	I/O I/O I/O	ST TTL TTL	Digital I/O. Parallel Slave Port data. External memory address/data 5.
RD6/PSP6/AD6 RD6 PSP6 AD6 ⁽³⁾	50	64	I/O I/O I/O	ST TTL TTL	Digital I/O. Parallel Slave Port data. External memory address/data 6.
RD7/PSP7/AD7 RD7 PSP7 AD7 ⁽³⁾	49	63	I/O I/O I/O	ST TTL TTL	Digital I/O. Parallel Slave Port data. External memory address/data 7.

IC BLOCK DIAGRAMS AND TERMINAL DESCRIPTIONS -81

Q1001: PIC18F66(1 Mbit Flash Microcontroller with Ethernet)

TERMINAL DESCRIPTION(5/8)

Pin Name	Pin Number		Pin Type	Buffer Type	Description
	PIC18F6X20	PIC18F8X20			
RE0/ $\overline{\text{RD}}$ /AD8 RE0 $\overline{\text{RD}}$ AD8 ⁽³⁾	2	4	I/O I I/O	ST TTL TTL	<p>PORTE is a bidirectional I/O port.</p> <p>Digital I/O. Read control for Parallel Slave Port (see $\overline{\text{WR}}$ and $\overline{\text{CS}}$ pins). External memory address/data 8.</p>
RE1/ $\overline{\text{WR}}$ /AD9 RE1 $\overline{\text{WR}}$ AD9 ⁽³⁾	1	3	I/O I I/O	ST TTL TTL	<p>Digital I/O. Write control for Parallel Slave Port (see $\overline{\text{CS}}$ and $\overline{\text{RD}}$ pins). External memory address/data 9.</p>
RE2/ $\overline{\text{CS}}$ /AD10 RE2 $\overline{\text{CS}}$ AD10 ⁽³⁾	64	78	I/O I I/O	ST TTL TTL	<p>Digital I/O. Chip select control for Parallel Slave Port (see $\overline{\text{RD}}$ and $\overline{\text{WR}}$). External memory address/data 10.</p>
RE3/AD11 RE3 AD11 ⁽³⁾	63	77	I/O I/O	ST TTL	<p>Digital I/O. External memory address/data 11.</p>
RE4/AD12 RE4 AD12	62	76	I/O I/O	ST TTL	<p>Digital I/O. External memory address/data 12.</p>
RE5/AD13 RE5 AD13 ⁽³⁾	61	75	I/O I/O	ST TTL	<p>Digital I/O. External memory address/data 13.</p>
RE6/AD14 RE6 AD14 ⁽³⁾	60	74	I/O I/O	ST TTL	<p>Digital I/O. External memory address/data 14.</p>
RE7/CCP2/AD15 RE7 CCP2 ^(1,4) AD15 ⁽³⁾	59	73	I/O I/O I/O	ST ST TTL	<p>Digital I/O. Capture2 input/Compare2 output/ PWM2 output. External memory address/data 15.</p>

IC BLOCK DIAGRAMS AND TERMINAL DESCRIPTIONS -82

Q1001: PIC18F66(1 Mbit Flash Microcontroller with Ethernet)

TERMINAL DESCRIPTION(6/8)

Pin Name	Pin Number		Pin Type	Buffer Type	Description
	PIC18F6X20	PIC18F8X20			
					PORTF is a bidirectional I/O port.
RF0/AN5	18	24	I/O	ST	Digital I/O.
RF0			I	Analog	Analog input 5.
AN5					
RF1/AN6/C2OUT	17	23	I/O	ST	Digital I/O.
RF1			I	Analog	Analog input 6.
AN6			O	ST	Comparator 2 output.
C2OUT					
RF2/AN7/C1OUT	16	18	I/O	ST	Digital I/O.
RF2			I	Analog	Analog input 7.
AN7			O	ST	Comparator 1 output.
C1OUT					
RF3/AN8	15	17	I/O	ST	Digital I/O.
RF1			I	Analog	Analog input 8.
AN8					
RF4/AN9	14	16	I/O	ST	Digital I/O.
RF1			I	Analog	Analog input 9.
AN9					
RF5/AN10/CVREF	13	15	I/O	ST	Digital I/O.
RF1			I	Analog	Analog input 10.
AN10			O	Analog	Comparator VREF output.
CVREF					
RF6/AN11	12	14	I/O	ST	Digital I/O.
RF6			I	Analog	Analog input 11.
AN11					
RF7/ \overline{SS}	11	13	I/O	ST	Digital I/O.
RF7			I	TTL	SPI slave select input.
\overline{SS}					

IC BLOCK DIAGRAMS AND TERMINAL DESCRIPTIONS -83

Q1001: PIC18F66(1 Mbit Flash Microcontroller with Ethernet)

TERMINAL DESCRIPTION(7/8)

Pin Name	Pin Number		Pin Type	Buffer Type	Description
	PIC18F6X20	PIC18F8X20			
RG0/CCP3 RG0 CCP3	3	5	I/O I/O	ST ST	PORTG is a bidirectional I/O port. Digital I/O. Capture3 input/Compare3 output/ PWM3 output.
RG1/TX2/CK2 RG1 TX2 CK2	4	6	I/O O I/O	ST — ST	Digital I/O. USART 2 asynchronous transmit. USART 2 synchronous clock (see RX2/DT2).
RG2/RX2/DT2 RG2 RX2 DT2	5	7	I/O I I/O	ST ST ST	Digital I/O. USART 2 asynchronous receive. USART 2 synchronous data (see TX2/CK2).
RG3/CCP4 RG3 CCP4	6	8	I/O I/O	ST ST	Digital I/O. Capture4 input/Compare4 output/ PWM4 output.
RG4/CCP5 RG4 CCP5	8	10	I/O I/O	ST ST	Digital I/O. Capture5 input/Compare5 output/ PWM5 output.

Pin Name	Pin Number		Pin Type	Buffer Type	Description
	PIC18F6X20	PIC18F8X20			
RH0/A16 RH0 A16	—	79	I/O O	ST TTL	PORTH is a bidirectional I/O port ⁽⁵⁾ . Digital I/O. External memory address 16.
RH1/A17 RH1 A17	—	80	I/O O	ST TTL	Digital I/O. External memory address 17.
RH2/A18 RH2 A18	—	1	I/O O	ST TTL	Digital I/O. External memory address 18.
RH3/A19 RH3 A19	—	2	I/O O	ST TTL	Digital I/O. External memory address 19.
RH4/AN12 RH4 AN12	—	22	I/O I	ST Analog	Digital I/O. Analog input 12.
RH5/AN13 RH5 AN13	—	21	I/O I	ST Analog	Digital I/O. Analog input 13.
RH6/AN14 RH6 AN14	—	20	I/O I	ST Analog	Digital I/O. Analog input 14.
RH7/AN15 RH7 AN15	—	19	I/O I	ST Analog	Digital I/O. Analog input 15.

IC BLOCK DIAGRAMS AND TERMINAL DESCRIPTIONS -84

Q1001: PIC18F66(1 Mbit Flash Microcontroller with Ethernet)

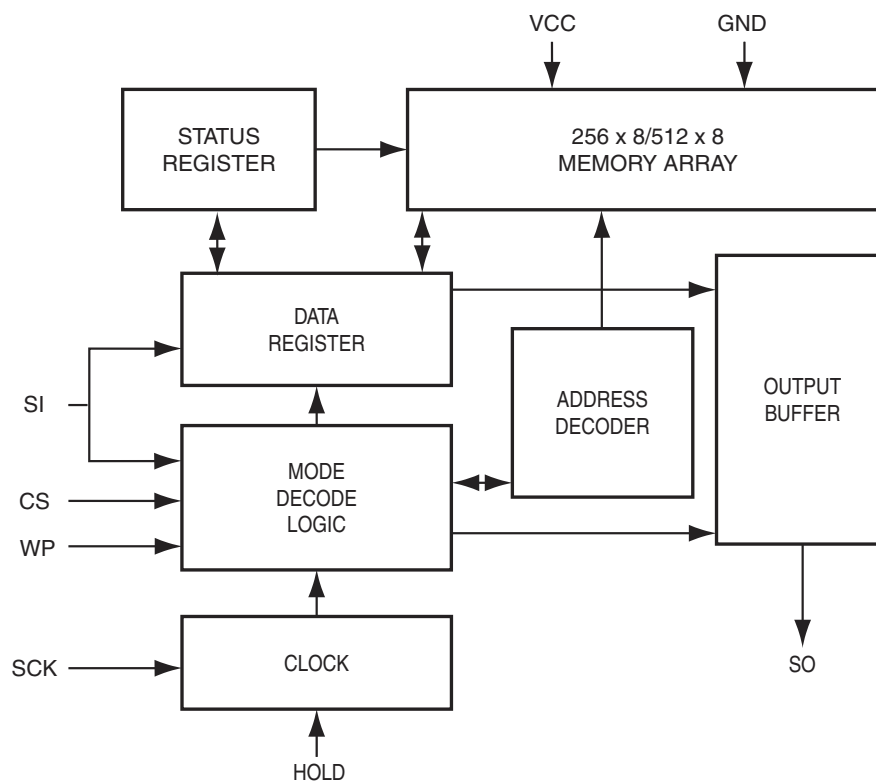
TERMINAL DESCRIPTION(8/8)

Pin Name	Pin Number		Pin Type	Buffer Type	Description
	PIC18F6X20	PIC18F8X20			
RJ0/ALE	—	62	I/O	ST	PORTJ is a bidirectional I/O port ⁽⁵⁾ . Digital I/O. External memory address latch enable.
RJ0			O	TTL	
ALE					
RJ1/ $\overline{\text{OE}}$	—	61	I/O	ST	
RJ1			O	TTL	
$\overline{\text{OE}}$					
RJ2/ $\overline{\text{WRL}}$	—	60	I/O	ST	
RJ2			O	TTL	
$\overline{\text{WRL}}$					
RJ3/ $\overline{\text{WRH}}$	—	59	I/O	ST	
RJ3			O	TTL	
$\overline{\text{WRH}}$					
RJ4/BA0	—	39	I/O	ST	
RJ4			O	TTL	
BA0					
RJ5/ $\overline{\text{CE}}$	—	40	I/O	ST	
RJ5			O	TTL	
$\overline{\text{CE}}$					
RJ6/ $\overline{\text{LB}}$	—	41	I/O	ST	
RJ6			O	TTL	
$\overline{\text{LB}}$					
RJ7/ $\overline{\text{UB}}$	—	42	I/O	ST	
RJ7			O	TTL	
$\overline{\text{UB}}$					

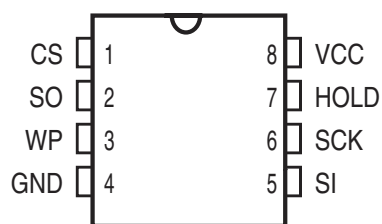
IC BLOCK DIAGRAMS AND TERMINAL DESCRIPTIONS -85

Q1002: IS25C02(2 kbit EEPROM)

BLOCK DIAGRAM



PIN CONFIGURATION



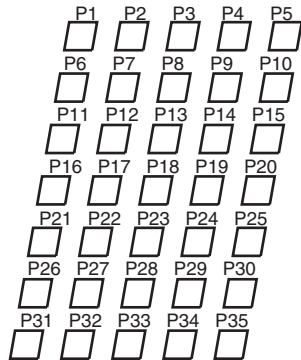
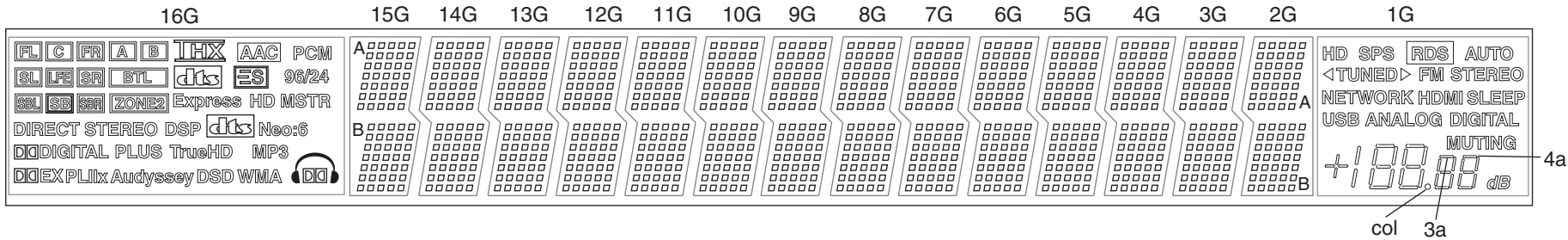
TERMINAL DESCRIPTION

CS	Chip Select
SCK	Serial Data Clock
SI	Serial Data Input
SO	Serial Data Output
GND	Ground
Vcc	Power
WP	Write Protect
HOLD	Suspends Serial Input

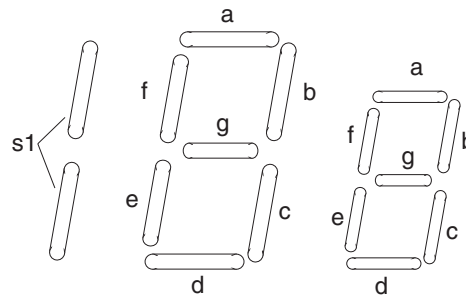
FL TUBE VIEWS-1

Q7500: HNA-16SL04T

GRID ASSIGNMENT



15G~2G
A: Upper line
B: Lower line



1G

FL TUBE VIEWS -2

Q7500: HNA-16SL04T

ANODE CONNECTION

	16G	15G-2G	1G
P1	—	1-1A	—
P2	—	2-1A	—
P3	—	3-1A	—
P4	—	4-1A	—
P5	—	5-1A	—
P6	—	1-2A	—
P7	—	2-2A	—
P8	—	3-2A	—
P9	—	4-2A	—
P10	—	5-2A	—
P11	—	1-3A	—
P12	—	2-3A	—
P13	—	3-3A	—
P14	—	4-3A	HD
P15	—	5-3A	SPS
P16	PCM	1-4A	RDS
P17	AAC	2-4A	AUTO
P18	THX	3-4A	FM STEREO
P19	B	4-4A	◀ ▶
P20	A	5-4A	TUNED
P21	(FR)	1-5A	SLEEP
P22	(F)R	2-5A	HDMI
P23	F(R)	3-5A	NETWORK
P24	(C)	4-5A	—
P25	C	5-5A	—
P26	(FL)	1-6A	—
P27	(F)L	2-6A	—

	16G	15G-2G	1G
P28	F(L)	3-6A	—
P29	SL	4-6A	—
P30	(SL)	5-6A	—
P31	LFE	1-7A	—
P32	(LFE)	2-7A	—
P33	—	3-7A	DIGITAL
P34	—	4-7A	ANALOG
P35	(SR)	5-7A	USB
P36	SR	1-1B	—
P37	BTL	2-1B	MUTING
P38	dtc	3-1B	2a
P39	ES	4-1B	2b
P40	96/24	5-1B	2g
P41	MSTR	1-2B	2f
P42	HD	2-2B	2c
P43	Express	3-2B	2e
P44	ZONE2	4-2B	2d
P45		5-2B	1a
P46	SBR	1-3B	1b
P47		2-3B	1g
P48	SB	3-3B	1f
P49		4-3B	1c
P50	SBL	5-3B	1e
P51	Neo:6	1-4B	1d
P52	dtc	2-4B	!
P53	DSP	3-4B	--
P54	STEREO	4-4B	s1

	16G	15G-2G	1G
P55	DIRECT	5-4B	col
P56	DD	1-5B	3a
P57	DIGITAL	2-5B	3f
P58	PLUS	3-5B	3b
P59	TrueHD	4-5B	3e
P60	MP3	5-5B	3g
P61		1-6B	3d
P62	DD	2-6B	3c
P63	WMA	3-6B	4a
P64	DSD	4-6B	4f
P65	Audyssey	5-6B	4b
P66	x	1-7B	4e
P67	II	2-7B	4g
P68	PL	3-7B	4d
P69	EX	4-7B	4c
P70	DD	5-7B	dB

MICROPROCESSOR TERMINAL DESCRIPTIONS -1

Q7001: M3087BFKBGP

Pin No.	Pin Name	I/O	Act.	Description
1	SRTXD	O	H	SIRIUS UART data output
2	SRRST	O	H	SIRIUS IC reset
3	FANCTRL	O	D/A	Fan control
4	CECIN	I	H	CEC input
5	XMTXD	O	H	XM UART data output
6	XMRXD	I	H	XM UART data input
7	~XMRST	O	L	XM IC reset
8	XMANT	I	L	XM IC 3B/4A input
9	~RDSCLK	I	CLK	RDS serial clock input
10	RDSSDI	I	H	RDS serial data input
11	~STEREO	I	L	FM STEREO detect
12	~SD	I	L	FM tuned detect
13	~TUNDACRST	O	L	XM/(HD Radio) DAC reset control
14	~HDRST	O	L	(HD Radio reset control)
15	BYTE	I	---	Connect to Vss
16	CNVss	I	---	Connect to Vss
17	~NETBOOT	O	L	(NET BOOT mode output)
18	~NETSTATUS	I	L	(NET Status input)
19	~RESET	I	L	Reset input
20	Xout	O	CLK	Oscillator output
21	Vss	I	---	GND
22	Xin	I	CLK	Oscillator input
23	Vcc	I	---	Power supply
24	~NMI	I	L	Connect to Vcc
25	~POFF	I	L	POFF input
26	~POFF2	I	L	POFF input
27	~KEYINT	I	L	Key interrupt input
28	CECTRG	I	H	CEC trigger input
29	CECOUT	O	H	CEC output
30	Z2VOLCLK	O	H	Clock output to Zone2/3 Volume IC
31	Z2VOLSDO	O	H	Data output to Zone2/3 Volume IC
32	XMLNK	I	H	3B/4A input from XM IC
33	VDLOCK/VSPINT	I/O	H	Lock state output to HQV(VX-50)
34	~VSPRST	O	L	HQV(VX-50) reset output
35	VSPBOOT/VSPREQ	O	H	HQV(VX-50) boot mode select output
36	VSPRxD/VSPSCL	I/O	H	HQV(VX-50) UART data input
37	VSPRxD/VSPSDA	I/O	H	HQV(VX-50) UART data output
38	RS232TxD/FTxD	O	H	RS232 data output/Flash rewrite pin
39	Vcc	I	H	Power supply
40	RS232RxD/FRxD	I	H	RS232 data input
41	Vss	I	H	GND
42	FCLK	O	H	Flash rewrite pin
43	FBUSY	O	H	Flash rewrite pin
44	NETTxD	O	H	NET UART data output
45	NETRxD	I	H	NET UART data input
46	~NETRST	O	L	NET reset output
47	~NETRESUME	O	L	NET Resume data output
48	~ROMCS	O	L	E2PROM chip select
49	ROMSDI	I	H	E2PROM data input
50	ROMSDO	O	H	E2PROM data output

MICROPROCESSOR TERMINAL DESCRIPTIONS -2

Q7001: M3087BFKBGP

Pin No.	Pin Name	I/O	Act.	Description
51	ROMCLK	O	CLK	E2PROM clock output
52	NETRSV	O	H	No use
53	SPRLFB	O	H	(Front-B Speaker relay control)
54	FEPM	I	H	Connect to Vss
55	SPRLZ2	O	H	(Zone2 Speaker relay control)
56	Z3MUTE	O	H	Zone3 mute control
57	Vss	I	H	GND
58	Z2MUTE	O	H	Zone2 mute control
59	Vcc	I	H	Power supply
60	SBZ2MUTE	O	H	Surround Back/Zone2 mute control
61	AMUTE	O	H	Main audio mute control
62	SPRLSB	O	H	Surround Back SP relay control
63	SPRLCS	O	H	Center/Surround SP relay control
64	SPRLF	O	H	Front SP relay control
65	FCS	I	H	Connect to Vcc
66	DAMPRSV	O	H	No use
67	DAMPINT	I	H	No use
68	~DAMPRST	O	L	No use
69	SELSTB	O	H	Audio input selector Strobe output
70	SELDAT	O	H	Audio input selector data output
71	SELCLK	O	CLK	Audio input selector clock output
72	~VOLRST	O	L	Volume IC reset control
73	~VOLMUTE	O	L	Volume IC mute control
74	Vcc	I	---	Power supply
75	~VOLCS	O	L	Volume IC chip select
76	Vss	I	---	GND
77	VOLSDO	O	H	Volume IC data output
78	VOLCLK	O	CLK	Volume IC clock output
79	~DSP3INT	I	L	3rd DSP BUSY detect input
80	~DSP3RST	O	L	3rd DSP reset
81	~DSP2INT	I	L	2nd DSP BUSY detect input
82	~DSP2RST	O	L	2nd DSP reset
83	~DSP1INT	I	L	1st DSP BUSY detect input
84	~DSP1RST	O	L	1st DSP reset
85	~DACRST	O	L	DAC reset
86	DIRINT	I	H	DIR Err detect input
87	~DIRRST	O	L	DIR reset
88	DIGSDI	I	H	DIR/DSP/DAC data input
89	DIGCLK	O	CLK	DIR/DSP/DAC/FLD clock output
90	DIGSDO	O	H	DIR/DSP/DAC/FLD data output
91	Vcc	I	---	Power supply
92	PROTECT	I	H	(PROTECT detect input)
93	Vss	I	---	GND
94	APOWER2	O	H	Main power trans control output2
95	APOWER1	O	H	Main power trans control output 1
96	MEQMUTE	I	H	3rd DSP Audyssey mute detect input
97	VPOWER	O	H	Video power control output
98	MPOWER	O	H	Middle power trans control output
99	VOLH	I	A/D	(Power Amp voltage switch control detect)
100	THERMAL2	I	A/D	(Thermal sensor input)

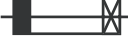
MICROPROCESSOR TERMINAL DESCRIPTIONS -3

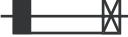
Q7001: M3087BFKBGP

Pin No.	Pin Name	I/O	Act.	Description
101	THERMAL1	I	A/D	(Thermal sensor input)
102	~REMIN	I	L	Remote control signal input
103	DSPINIC	I	H	1st DSP status change detect
104	SYSIN	I	H	RI input
105	~SYSOUT	O	L	RI output
106	MICMUTE	O	H	Setup Mic mute control
107	~MICDET	I	L	Setup Mic detect input
108	HPRL	O	H	Headphone relay control
109	HPDET	I	H	Headphone detect input
110	INIT3	I	A/D	Initial setup input 3
111	INIT2	I	A/D	Initial setup input 2
112	INIT1	I	A/D	Initial setup input 1
113	BAND	I	A/D	Initial setup input
114	SIOCSEA	O	H	DIR/DSP/DAC/FLD/etc chip select output
115	SIOCSEB	O	H	DIR/DSP/DAC/FLD/etc chip select output
116	SIOCSEC	O	H	DIR/DSP/DAC/FLD/etc chip select output
117	SIOCSEO1	O	H	DIR/DSP/DAC/FLD chip select output
118	SIOCSEO2	O	H	Selector etc chip select output
119	VOLB	I	H	Master volume data input
120	VOLA	I	H	Master volume data input
121	LEDSTBY2	O	H	STANDBY LED control output
122	LEDSTBY	O	H	STANDBY LED control output
123	~FLDRST	O	L	FL Driver IC reset control
124	RXMUTE	I	H	HDMI Receiver mute input
125	TXMUTE	O	H	HDMI Transmitter mute output
126	~HDMIRST	O	L	HDMI reset control
127	HDMISTB	I	H	HDMI Strobe input
128	HDMISDI	I	H	HDMI data input
129	HDMICLK	O	CLK	HDMI clock output
130	Vss	I	---	GND
131	HDMISDO	O	H	HDMI data output
132	Vcc	I	---	Power supply
133	KEY3	I	A/D	Selector Key voltage input
134	KEY2	I	A/D	Selector Key voltage input
135	KEY1	I	A/D	Selector Key voltage input
136	KEY0	I	A/D	Selector Key voltage input
137	~DSP1DEC	I	L	1st DSP decode status input
138	TUMUTE	O	H	Tuner mute output
139	TUNSDA/VSELSDA	I/O	H	Tuner PLL/Video Sel/I2C data input/output
140	AVss	I	---	GND
141	TUNSCL/VSELSCL	I/O	H	Tuner PLL/Video Sel/I2C clock output
142	Vref	I	---	Connect to Vcc
143	AVcc	I	---	Power supply
144	SRRxD	I	H	SIRIUS data input

SERVICE PROCEDURE

1. Replacing the fuses

 This symbol located near the fuse indicates that the fuse used is slow operating type. For continued protection against fire hazard, replace with same type fuse. For fuse rating, refer to the marking adjacent to the symbol.

 Ce symbole indique que le fusible utilise est e lent. Pour une protection permanente, n'utiliser que des fusibles de meme type. Ce demier est indique la qu le present symbol est appose.

<Notes>

<DD> : DTC-9.8 USA model

<MA> : DTC-9.8 Australian model

REF NO.	PART NAME	DESCRIPTION	PART NO.	REMARKS
F2501	FUSE	4A-UL/T-233	252325GR	!
F2502	FUSE	4A-UL/T-233	252325GR	!
F5000	FUSE	4A-UL/T-233	252325GR	!
F5001	FUSE	4A-UL/T-233	252325GR	!
F5002	FUSE	2.5A-UL/T-233	252321GR	!, <DD>
F5003	FUSE	2.5A-UL/T-233	252321GR	!, <DD>
F9000	FUSE	5A-UL/T-233	252326GR	!, <DD>
F9301	FUSE	4A-UL/T-233	252325GR	!

2. To initialize the unit

1. Press and hold down VCR/DVR button, then press STANDBY/ON button when the unit is powered on.
2. After " *Clear* " is displayed, the preset memory and each mode stored in the memory are initialized and will return to the factory settings, and turn to Standby mode.

3. Safety check out

(U.S.A. model only)

After correcting the original service problem, perform the following safety check before releasing the unit to the customer.

Leakage current Check

Measure the leakage current to a known earth ground (water pipe or conduct etc.) by connecting a leakage current tester between the earth ground and exposed metal parts of the unit (input/output ground terminals, screw heads or metal overlays etc.).

Plug the power supply cord directly into a 120Vac 60Hz wall socket and turn STANDBY/ON button on.

Any current measured must not exceed 0.5mA.

4. Memory Backup

This model uses a EE-PROM IC in order to retain radio presets and other settings. So, memory contents will be kept eternally with no care.

FIRMWARE UPDATE -1

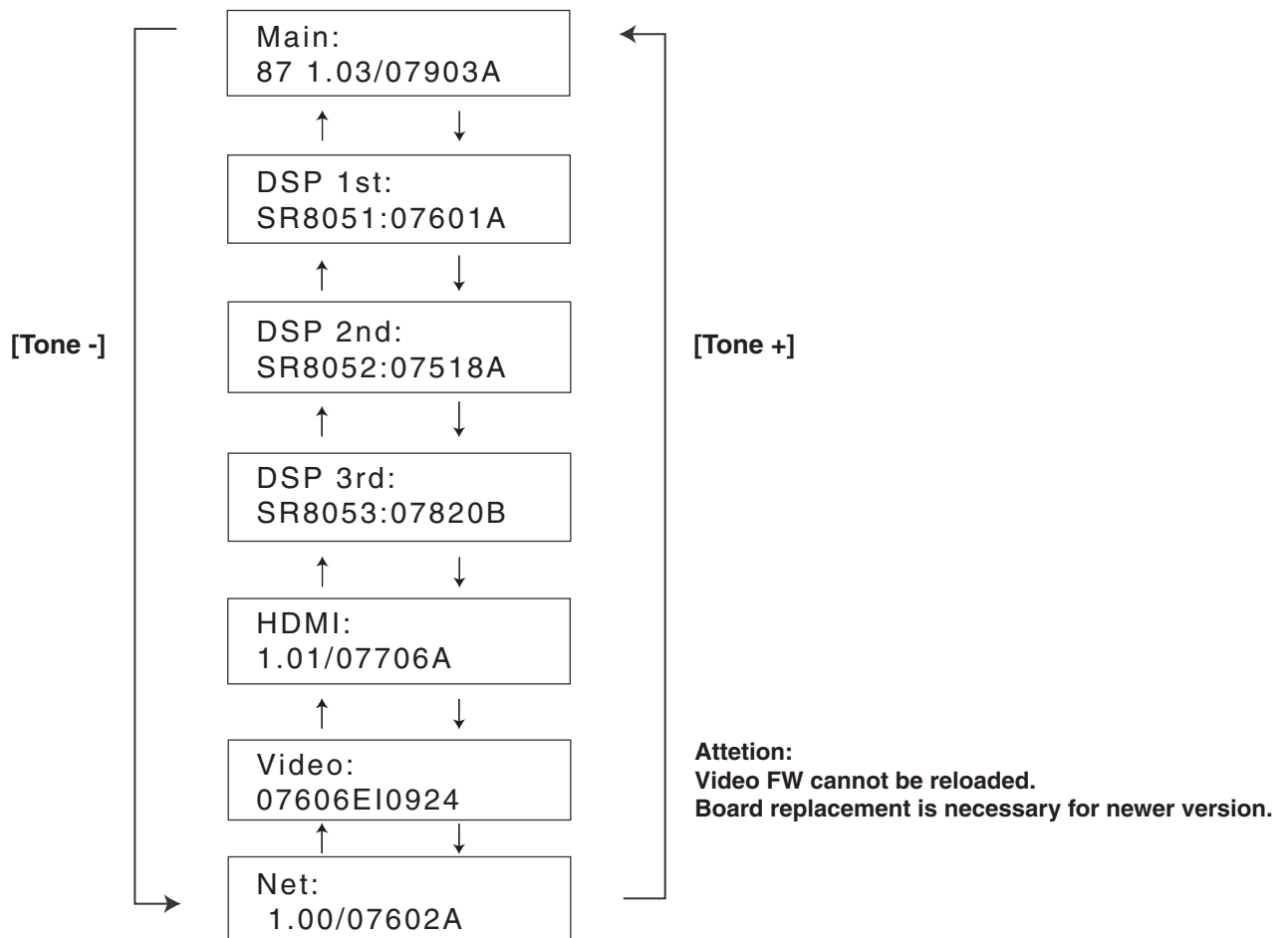
How to Check Versions of Main, DSP(1st to 3rd), HDMI, Video and Network FW

1. Press and hold down [DISPLAY] button, then press [STANDBY/ON] button when the unit is powered on.
The main microprocessor version will be displayed on Front Display for about 3 seconds.

<e.g.>

Main: 87 1.03/07903A

2. Press [Tone +] button while the version is displayed. Then, "DSP 1st SR8051/07601A" will be displayed.
Press [Tone +] button again while "DSP 1st SR8051/07601A" is displayed. Then, "DSP 2nd: SR8052/07518A" will be displayed. In this way, as [Tone +] button is pressed while a version is displayed, the next information will be displayed.
If [Tone -] button is pressed, the order will be reversed.



Note: These versions are the latest as of October 1, 2007.

FIRMWARE UPDATE -2

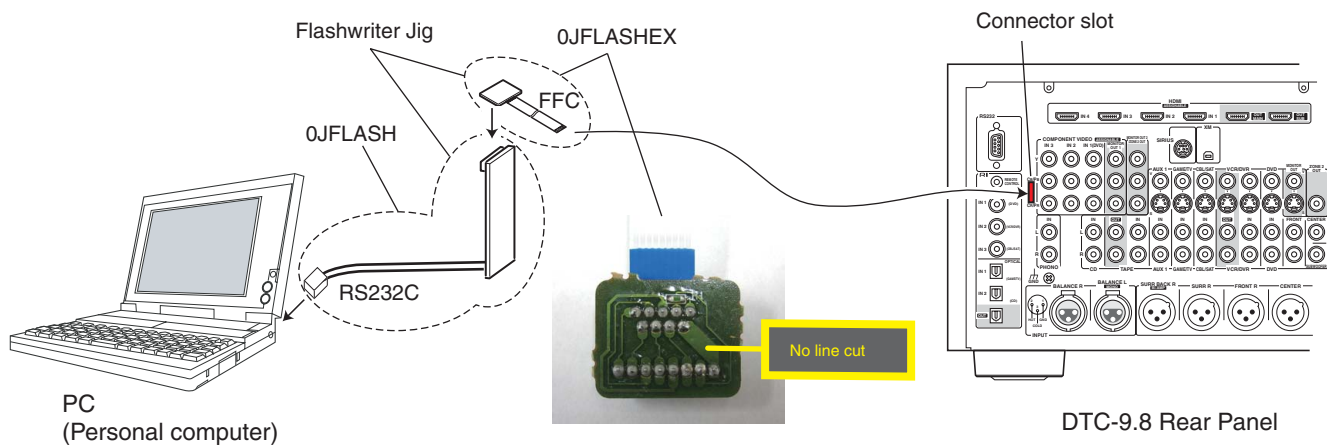
Preparation for Update (Main)

A: Hardware and Software

1. Personal computer(PC) with Windows XP or 2000
2. Flashwriter jig: 0JFLASH and 0JFLASHEX for Main
3. Writing soft: "flasta_exe.zip" and Manual: "Flash Writer M16 Manual.pdf"
Download and unzip "flasta_exe.zip" to extract "FlashSta.exe" etc. in advance.
4. Program & ID: Download the latest ".mot" and ".id" files for TX-SR875/DTC-9.8/PR-SC885 and store in the same folder as "FlashSta.exe."

B: Connection and Setup

1. While the target unit is off, connect 0JFLASH and 0JFLASHEX to RS232C port of the PC.
2. Connect the FFC of the jig to the connector slot on the rear panel of TX-SR875/DTC-9.8/PR-SC885.
3. Power on the unit.



Main Microprocessor Update Procedure

1. Start "FlashSta.exe" and update the unit referring to "Flash Writer M16 Manual.pdf."
MCU Type is M16C/80 M32. It takes about 5 minutes.
2. After Program and Read Check are finished, click "Exit" button to end "FlashSta.exe".
3. Turn off the main power switch or pull the power cord off the wall socket.
Pay attention that pushing [STANDBY/ON] button to power off is not perfect.
4. Remove the jig from the unit and power on the unit again. Confirm the new version number.

FIRMWARE UPDATE -3

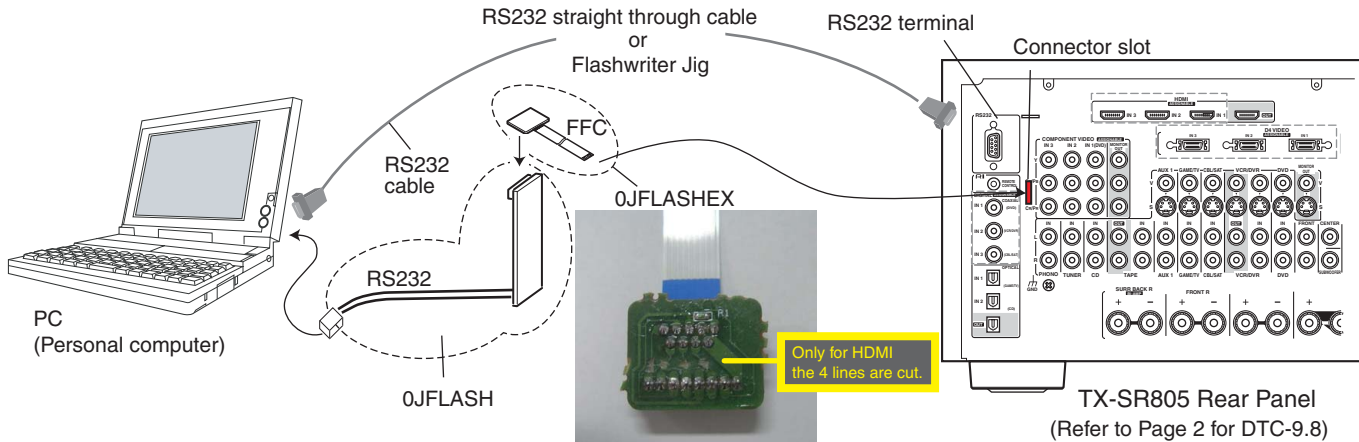
Preparation for Update (HDMI)

A: Hardware and Software

1. Personal computer(PC) with Windows XP or 2000.
2. Cable: RS232 straight cable or Flashwriter jig: 0JFLASH and 0JFLASHEX for HDMI.
3. Writing soft: "HDMIUpdater_SR805_07706A.zip" for HDMI microprocessor. (File name depends on the version)
Unzip "HDMIUpdater_SR805_07706A.zip" in advance.

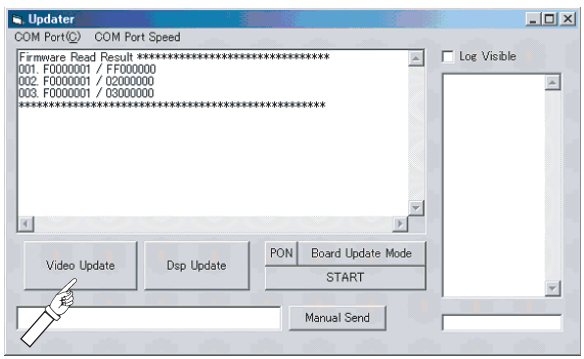
B: Connection and Setup

1. While the target unit is off, connect the unit and PC with RS232 straight through cable.
If RS232 cable is not available, connect 0JFLASH and 0JFLASHEX to RS232 port of the PC, and then connect the FFC of the jig to the connector slot on the rear panel of DTC-9.8.
2. Power on the PC.

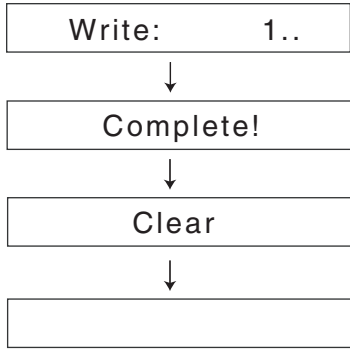


HDMI Update Procedure

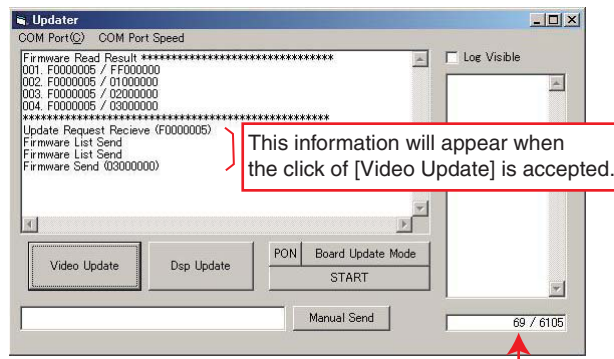
1. Double click "Update.exe" in the unzipped folder "HDMIUpdater_SR805_07706A" (Folder name depends on the version.)
The following window will appear.



2. Click "Video Update" button. The update takes about 5 minutes.
The message on Front Display will change as follows.



The unit is put into the Standby mode.



The number is going up as writing is proceeding.

3. After the update ends, turn off the unit's main power switch or pull the power cord off the wall socket.
4. Remove the jig from the unit and power on the unit again. Confirm the new version number.

FIRMWARE UPDATE -4

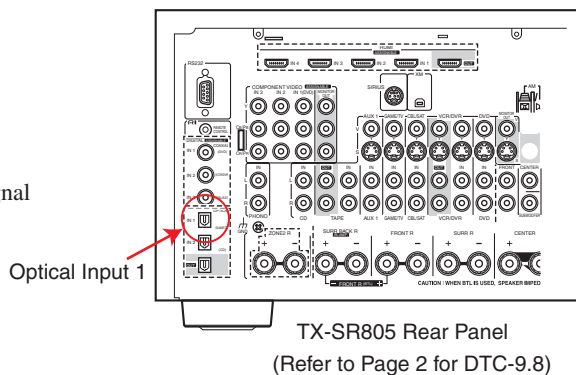
Preparation for Update (DSP, all in one)

A: Hardware and Software

1. Blank CD-R, PC, CD-R writing software.
2. Writing soft: "CD_SR805123_07601A_07518A_07820B.wav"
(File name depends on the version.)
Store it in a blank CD-R as a music CD in advance.
3. CD player with Optical output terminal.
Note: Some CD players and a lot of DVD players process audio signal before output. Such players cannot be used for this update.
4. Optical cable.

B: First Procedure

1. Connect a CD player with the target unit via Optical Input 1.
2. Power on the unit and wait for more than 10 seconds.



DSP Update Procedure

1. Press and hold down [DISPLAY] button and then press [STANDBY/ON] button to show Main FW version when the unit is powered on.

<e.g.>

Main:
87 1.03/07903A

2. Press [Tone +] button while the Main version is displayed. Then, 1st DSP FW version will be displayed.

<e.g.>

DSP 1st:
SR8051:07601A

3. Press [Return] button while the target DSP version is displayed. Then, the following message will appear.

S/PDIF Update..

4. Play the DSP FW CD-R with the CD player. After playback starts, the messages will change as below.

Estimated Time in CD player

0:15

Writing...
1st DSP

0:30

S/PDIF Update..

0:42

Writing...
2nd DSP

0:52

S/PDIF Update..

1:04

Writing...
3rd DSP

If playback is finished without the above message, please try again.

Note: Some DVD players are not suitable for this update. If writing results in failure, use another model of player.
DURING WRITING, DO NOT TURN OFF THE POWER and DO NOT DISCONNECT OPTICAL CABLE.
If writing is stopped in the middle, Flash IC may need replacing.

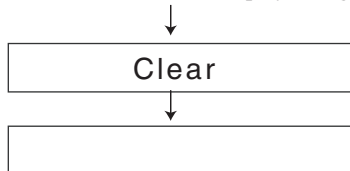
After writing of 3rd DSP ends, the message in Step 3 will appear again.
Make sure that no more " Writing ... DSP " will appear.

S/PDIF Update..

Check Points:

1. " Writing... 1st DSP " was shown.
2. CD player has been playing for more than 1 minutes + 4 seconds and finishes playback.

5. Press [Standby/On] button and see Front Display change as below.



The unit is put into the Standby mode.

6. Turn on the unit and confirm the new version number.

DEBUG MODE-1

The operations of DSP and DIR etc are able to be checked by the information displayed on FL in this DEBUG MODE. This information may help to pursue the cause of trouble.

To set in DSP debug mode

1. Press and hold down DISPLAY button, then press STANDBY/ON button while the unit is powered on. The version number of microprocessor will be displayed only for 3 seconds.

<Ex.> Main:
87 1.03/07903A

2. Press TONE+ button within 3 seconds above, the version number of 1st DSP will be displayed.

<Ex.> DSP 1st:
SR8051:07601A

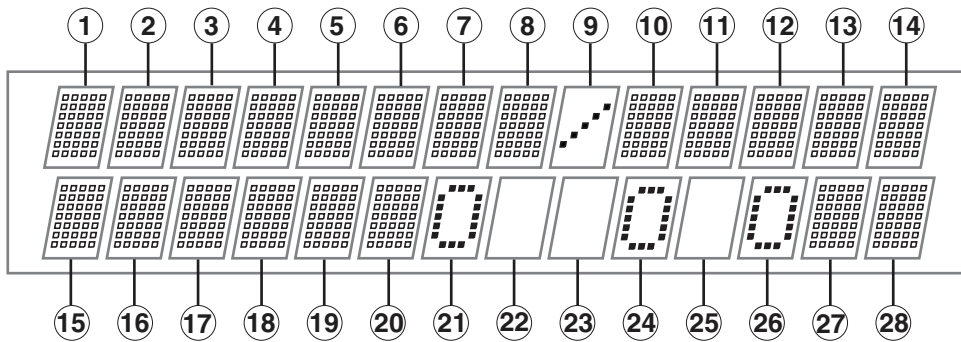
3. Press DISPLAY button while the 1st DSP version is displayed. The status of DSP and DIR will be displayed.

<Ex.> E1A48K0N/0FFP0
FFFFFF0 0 000

To exit

Press STANDBY/ON button.

Content of display



① DIR Input Lock
E = UNLOCK
= LOCK

② DIR Input RX
0 = None
1 = COAX1
2 = COAX2
3 = COAX3
4 = OPT 1
5 = OPT 2
6 = OPT 3(Not Used)
7 = OPT(FRONT)
8 = HDMI1
9 = HDMI2
A = HDMI3
B = HDMI4
C = NET(Not Used)

③ DIR/ADC
D = Digital(SPDIF)
A = Analog
M= Anolog Multich
p = PCM Fixed
d = DTS Fixed
l = Digital(I2S_1)
S = Digital(I2S_4)
d = Digital(DSD)

⑦ DIR Detect Type
0 = Analog
1 = PCM
2 = Not PCM
3 = Data
4 = DTS CD (Not used)
5 = Multich
6 = Not Decided

④ - ⑥ Sampling Frequency and Emphasis
32K = 32 kHz without Emphasis
44K = 44.1 kHz without Emphasis
48K = 48kHz without Emphasis
64K = 64 kHz
88K = 88.2 kHz
96K = 96 kHz
176 = 176.4 kHz
192 = 192 kHz
32e = 32 kHz with Emphasis
44e = 44.1 kHz with Emphasis
48e = 48 kHz with Emphasis

DEBUG MODE-2

Content of display(Continued)

⑧ CODEC CLOCK MODE

N = Normal
 U = Up Sampling
 H = High Sampling (Double Rate)
 D = Down Sampling
 Q = Quad Rate

⑨ Not Used(Slash)

⑩ DSP Port

bit0 = NIC —(Normal state)
 bit1 = DEC
 bit2 = BUSY
 bit3 = Exec Wait } (Abnormal state)

⑪-⑫ DSP Sequence

26 = Not Free
 2F = Mute Control
 FF = Free

⑬ DSP Detect Format

P = PCM (Analog)
 D = Dolby Digital
 d = DTS
 A = AAC
 S = DSD
 p = Dolby Digital+
 T = TrueHD
 H = DTS-HD High Resolution
 M = DTS-HD Master Audio
 ? = UNKNOWN

⑭ DSP Decode

o = Decode OK
 x = Decode NG

⑮-⑯ 1st DSP Sequence

04-0D = Boot
 10-17 = Update Mode
 20-33 = DSP Setting
 FF = Free

⑰-⑱ 2nd DSP Sequence

04-0D = Boot
 10-17 = Update Mode
 20-33 = DSP Setting
 FF = Free

⑲-⑳ 3rd DSP Sequence

04-0D = Boot
 10-17 = Update Mode
 20-33 = DSP Setting
 E0-E2 = Auto Speaker Setup
 FF = Free

㉑-㉒ Not Used

⑲-⑳ MPU MUTE Output Cause

bit0 = Selector IC
 bit1 = Effector
 bit2 = DSP
 bit3 = DIR
 bit4 = HDMI
 bit5 = XM
 bit6 = Auto Speaker Setup
 bit7 = Speaker Config

Trouble Shooting by DEBUG MODE

This debug mode will help in digital audio no sound trouble.
 Check information on FL display and the related devices or circuits.

Note:
 MPU is short for Micro Processor: Q7001.
 1st DSP: Q3401, 2nd DSP: Q3501, 3rd DSP: Q3601
 DIR: Q3041
 DAC: Q3701, Q3721, Q3741, Q3761, Q3781
 Flash ROM: Q3451, Q3551, Q3651
 SDRAM: Q3461, Q3471, Q3561, Q3661
 Audio Selector: Q4029

Digit no on FL	Symptom on display	Cause	Check
①	"E" is displayed	No input signal to DIR.	Related devices from digital input to DIR.
④ - ⑥	Displayed freq. is different from input	No input signal to DIR.	Related devices from digital input to DIR.
⑦	Displayed format is different from input	No input signal to DIR.	Related devices from digital input to DIR.
⑬	Displayed format is different from input	Input signal to DSP is no good.	Related devices from DIR to DSP.
⑭	"x" is displayed	Interface between DSP and MPU is no good.	Related devices from MPU to DSP.

DEBUG MODE-3

Trouble Shooting by Debug Mode (Continued)

(Continued)

Digit no on FL	Symptom on display	Cause	Check
①9 - ②0	This identifies IC which outputs error	Some IC outputs error to MPU.	Audio Selector, DSP, DIR & related devices.
⑩	Continue to display "1"	Interface between DSP and MPU is no good.	Related devices from MPU to DSP.
	Continue to display "2"	Connection from DIR to DSP is no good.	Related devices from DIR to DSP.
	Continue to display "3" to "7"	Interface between DSP and MPU is no good.	Related devices from MPU to DSP.
	Continue to display "8" to "F"	DSP Sequence is no good.	Check ⑮ - ⑳ items.
⑮ - ⑳	Continue to display "03"	Communication between DSP and MPU is no good.	Check connection between DSP and MPU. Power supply pin, reset port and clock input of DSP. Flash ROM program may be no good. DSP or MPU is broken.
	Continue to display "05"	Writing from MPU to DSP is no good.	Flash ROM program is no good, upgrade. DSPSDO pin of MPU. Flash ROM or SDRAM is no good, replace. DSP or MPU is broken, replace.
	Continue to display "08"	DSP program is no good.	Flash ROM program is no good, upgrade. Flash ROM or SDRAM is broken, replace. Check connection between DSP and Flash ROM.
	Continue to display "09" to "0C"	DSP program is no good.	Flash ROM program is no good, upgrade. Flash ROM or SDRAM is broken, replace. Check connection between DSP and Flash ROM.
	Continue to display "17"	Powered off during DSP program update.	Press STANDBY/ON button while pushing. VCR/DVR button when the unit is powered on.
	Display "21", then return and signal format indicator is flashing	DSP program is no good.	Flash ROM program is no good, upgrade. Flash ROM or SDRAM is broken, replace. Check connection between DSP and Flash ROM. Clock freq. to DSP.
	Continue to display "22" to "24"	DSP program is no good or Audio clock to DSP is no good.	Flash ROM program is no good, upgrade. Flash ROM or SDRAM is broken, replace. Check connection between DSP and Flash ROM. Clock freq. to DSP or Audio clock to DSP.
	Continue to display "30" to "33"	DSP program is no good or Audio clock to DSP is no good.	Flash ROM program is no good, upgrade. Flash ROM or SDRAM is broken, replace. Check connection between DSP and Flash ROM.
	Continue to display "26" to "2F"	DSP setting is failed.	Flash ROM program is no good, upgrade. Flash ROM or SDRAM is broken, replace. Check connection between DSP and Flash ROM.

<Note>

Parts marked by 'NSP' are generally unavailable because they are not in our Master Spare Parts List.

NOTE : THE COMPONENTS IDENTIFIED BY THE MARK
! ARE CRITICAL FOR RISK OF FIRE AND
ELECTRIC SHOCK. REPLACE ONLY WITH PART
NUMBER SPECIFIED.

<Notes>

(B) : Black model <DD> : DTC-9.8 USA model
<MA> : DTC-9.8 Australian model

EXPLODED VIEW PARTS LIST

REF. NO.	NAME	DESCRIPTION	Q'TY	PART NO(SN)	REMARKS
A056	SCREW	4TTC+8C(3BC)	10	830440089GR	
A066	CHASSIS	.	1	---	NSP
A067	BUTYL	φ3(5m)	1	WS3628	
A068	LEG	(AS)	4	27175438	
A070	CUSHION	.	8	28141637	
A072	BRACKET	(PT2)	1	27131028B	
A076	HOLDER	(SPD-6)	2	27191308	
A078	HOLDER	KGPS-10RF	3	27190813	
A084	RETAINER	(F)	2	27142073	
A085	SCREW	3TTB+8B(3CM)SR	34	801637	
A086	BRACKET	(F)	1	27131020A	
A087	TAPE	TAPE(CLOTH-16U)	1	29110083	
A089	TAPE	TAPE(CLOTH-8U)	1	29110082	
A090	HOLDER	SPM-4	5	27191154	
A092	HOLDER	KGLS-10RT	1	27190428A	
A094	HOLDER	KGLS-10S	2	27190896	
A096	HOLDER	KGPS-6RF	1	27191112	
A098	HOLDER	KGLS-12S	1	27190062	
A100	HOLDER	HOLDER KGLS-18S	1	27190470	
A104	HOLDER	KGLS-22S	1	27190369	
A106	HOLDER	KGLS-12RT	1	27190266	
A107	CLAMP	HL-18-0	1	27301394	
A108	CLAMP	WS-2NS	6	27300833	
A109	HOLDER	KGLS-6RT	4	27190693A	
A110	REAR PANEL	DTC-9.8DD	1	27123721A	<DD>
A110	REAR PANEL	DTC-9.8MA	1	27123722A	<MA>
A112	SCREW	3TTB+8B(3BC)	90	838430088GR	<DD>
A112	SCREW	3TTB+8B(3BC)	87	838430088GR	<MA>
A113	SCREW	3P+6FN(3BC)	1	82143006GR	<DD>
A114	SCREW	4TTB+8C(3BC)	8	838440089GR	
A116	WASHER	W3*10F(3BC)	1	87643010GR	
A118	TRM	E□□□□	1	25060151	
A119	TAPE	TAPE(CLOTH-8U)	1	29110082	
A120	WIRE TIE	BSK-1	4	260208	
A122	LABEL	SHEET(S)	1	29364983	
A128	SHLD CASE	(C)	1	27225171	<DD>
A132	RETAINER	(E)	1	27142078	<DD>
A133	SCREW	3TTB+8B(3CM)SR	1	801637	<DD>
A137	CUSHION	(T3*W35*D10)	3	28141741	<DD>
A137	CUSHION	(T3*W35*D10)	2	28141741	<MA>
A139	BUTYL	φ3(5m)	1	WS3628	
A140	BUTYL	φ3(5m)	1	WS3628	
A141	IB CUSHION	W15*3t TAPE	1	28141585	
A142	IB CUSHION	W15*3t TAPE	1	28141585	
A143	IB CUSHION	W15*3t TAPE	1	28141585	
A144	BUTYL	φ3(5m)	1	WS3628	
A160	TAPE	TAPE(CLOTH-8U)	1	29110082	
A162	TAPE	TAPE(CLOTH-8U)	1	29110082	
A170	SPACER	.	2	27270439	
A172	BUSHING	L125	1	28170004	
A201	BADGE	.	1	28135278	

A203	GUIDE	(VOL)B	1	27268205	
A230	TAPE	TAPE(CLOTH-8U)	1	29110082	
A251	F BRACKET	(B)	1	27111486A	
A253	KNOB	(STANDBY)	1	28325756	
A255	CLEAR PLT	.	1	28192140	
A259	B PLATE	.	1	28133430	
A261	RETAINER	(PWB)	1	27142064	
A262	CUSHION	(T10*A40*B10)	2	28141747	
A263	RETAINER	(HP)	1	27141787	
A264	SNAP PLATE	SNAP PLATE	1	27301877	
A270	CUSHION	t5*30*5	2	28141562	
A271	TAPE	TAPE(CLOTH-8U)	1	29110082	
A281	KNOB	(VOL)AS	1	28326231	
A301	F PANEL	.	1	27213011A	<DD>
A301	F PANEL	.	1	27213012A	<MA>
A304	FACET	.	3	28198905	<DD>
A304	FACET	.	4	28198905	<MA>
A400	COVER	(B)	1	28184999Z	
A410	LABEL	(CAUTION)	1	29363796	
A414	LABEL	HOOKUP-INTEGRA	1	29363195	<DD>
F2501	FUSE	4A-UL/T-233	1	252325GR	!
F2501 or	FUSE	4A-T/UL-ST2	(1)	252257GR	!
F2502	FUSE	4A-UL/T-233	1	252325GR	!
F2502 or	FUSE	4A-T/UL-ST2	(1)	252257GR	!
F5000	FUSE	4A-UL/T-233	1	252325GR	!
F5000 or	FUSE	4A-T/UL-ST2	(1)	252257GR	!
F5001	FUSE	4A-UL/T-233	1	252325GR	!
F5001 or	FUSE	4A-T/UL-ST2	(1)	252257GR	!
F5002	FUSE	2.5A-UL/T-233	1	252321GR	!, <DD>
F5002 or	FUSE	2.5A-T/UL-ST2	(1)	252254GR	!, <DD>
F5003	FUSE	2.5A-UL/T-233	1	252321GR	!, <DD>
F5003 or	FUSE	2.5A-T/UL-ST2	(1)	252254GR	!, <DD>
F9000	FUSE	5A-UL/T-233	1	252326GR	!, <DD>
F9000 or	FUSE	5A-T/UL-ST2	(1)	252258GR	!, <DD>
F9301	FUSE	4A-UL/T-233	1	252325GR	!
F9301 or	FUSE	4A-T/UL-ST2	(1)	252257GR	!
P101	FFC	NCFC7-134512	1	2047134512	<DD>
P101	FFC	NCFC7-132012	1	2047132012	<MA>
P102	FFC	NCFC7-181012	1	2047181012	<DD>
P205	FFC	NCFC5-092512	1	2045092512	
P2801	FFC	NCFC7-311012	1	2047311012	
P7501	FFC	NCFC7-405022	1	2047405022	
T903	P TRANS	NPT-1555D	1	2301902	!, <DD>
T903	P TRANS	NPT-1555M	1	2301903	!, <MA>
T904	P TRANS	NPT-1556D	1	2301906	!, <DD>
T904	P TRANS	NPT-1556M	1	2301907	!, <MA>
T905	P TRANS	NPT-1558D	1	2301911A	!, <DD>
T905	P TRANS	NPT-1558M	1	2301912A	!, <MA>
U01	AMPLIFIER PC board ass'y	NAASP-9050-1K	1	1B170550-1K	
U02	PHONO PC board ass'y	NAASP-9051-1K	1	1B170551-1K	
U03	VIDEO PC board ass'y	NAVD-9052-1K	1	1B170552-1K	
U04	CONNECTOR PC board ass'y	NAETC-9053-1K	1	1B170553-1K	
U05	CONNECTOR PC board ass'y	NAETC-9054-1K	1	1B170554-1K	
U06	POWER SUPPLY PC board ass'y	NAASP-9057-2A	1	1B170557-2A	<DD>
		NAASP-9057-2B	1	1B170557-2B	<MA>
U07	INLET PC board ass'y	NAASP9058-2A	1	1B170558-2A	<DD>
		NAASP9058-2B	1	1B170558-2B	<MA>
U08	DSP PC board ass'y	NADSP-9072-1A	1	1B170572-1A	
U09	DAC PC board ass'y	NADG-9074-1K	1	1B170574-1K	<DD>
		NADG-9074-1L	1	1B170574-1L	<MA>
U10	MICROPROCESSOR PC board ass'y	NAAR-9075-1K	1	1B170575-1K	<DD>
		NAAR-9075-1L	1	1B170575-1L	<MA>
U12	XM PC board ass'y	NARF-9077-1K	1	1B170577-1K	<DD>
U13	HOLDER PC board ass'y	NAETC-9078-1K	1	1B170578-1K	<DD>
		NAETC-9078-1L	1	1B170578-1L	<MA>
U14	E-CONTROL PC board ass'y	NALAN-9079-1K	1	1B170579-1K	<DD>
		NALAN-9079-1L	1	1B170579-1L	<MA>
U15	AMPLIFIER PC board ass'y	NAASP-9080-1K	1	1B170580-1K	<DD>

		NAASP-9080-1L	1	1B170580-1L	<MA>
U16	AMPLIFIER PC board ass'y	NAETC-9073-1K	1	1B170573-1K	<DD>
		NAETC-9073-1L	1	1B170573-1L	<MA>
U17	DISPLAY PC board ass'y	NADIS-9096-1F	1	1B170596-1F	<DD>
		NADIS-9096-1G	1	1B170596-1G	<MA>
U18	SWITCH PC board ass'y	NADIS-9097-1F	1	1B170597-1F	<DD>
		NADIS-9097-1G	1	1B170597-1G	<MA>
U19	HEADPHONE PC board ass'y	NADIS-9098-1F	1	1B170598-1F	<DD>
		NADIS-9098-1G	1	1B170598-1G	<MA>
U20	POWER SUPPLY PC board ass'y	NADIS-9099-1F	1	1B170599-1F	<DD>
		NADIS-9099-1G	1	1B170599-1G	<MA>
U21	OPT PC board ass'y	NADIS-9100-1F	1	1B170500-1F	<DD>
		NADIS-9100-1G	1	1B170500-1G	<MA>
U22	VOLUME PC board ass'y	NADIS-9101-1F	1	1B170501-1F	<DD>
		NADIS-9101-1G	1	1B170501-1G	<MA>
U24	HOLDER PC board ass'y	NADIS-9103-1F	1	1B170503-1F	<DD>
		NADIS-9103-1G	1	1B170503-1G	<MA>
U25	BALANCE TERMINAL PC board ass'y	NATRM-9108-1A	1	1B170508-1A	<DD>
		NATRM-9108-1B	1	1B170508-1B	<MA>
U26	HDMI PC board ass'y	NAHDM-9114-1C	1	1B170514-1C	<DD>
U27	HD RADIO PC board ass'y	NARF-9118-1A	1	1B170518-1A	<DD>
U017	TUNER UNIT	FAE485-E11EU	1	240154	<MA>

DTC-9.8**PC BOARD PARTS LIST**

U01	AMPLIFIER PC BOARD (NAASP-9050-1K)
U02	PHONO PC BOARD (NAASP-9051-1K)
U03	VIDEO PC BOARD (NAVD-9052-1K)
U04	CONNECTOR PC BOARD (NAETC-9053-1K)
U05	CONNECTOR PC BOARD (NAETC-9054-1K)

REF. NO.	PART NAME	DESCRIPTION	Q'TY	PART NO. (SN)	REMARKS
Q2001	TR	RN1444-A	1	2216031R2	
Q2001 or	TR	RN1444-B	(1)	2216032R2	
Q2002	TR	RN1444-A	1	2216031R2	
Q2002 or	TR	RN1444-B	(1)	2216032R2	
Q2003	TR	RN1444-A	1	2216031R2	
Q2003 or	TR	RN1444-B	(1)	2216032R2	
Q2004	TR	RN1444-A	1	2216031R2	
Q2004 or	TR	RN1444-B	(1)	2216032R2	
Q2005	TR	RN1444-A	1	2216031R2	
Q2005 or	TR	RN1444-B	(1)	2216032R2	
Q2006	IC	TC74HC4051AF(EL_F)	1	222740515R2	
Q2007	IC	TC74HC4051AF(EL_F)	1	222740515R2	
Q2008	IC	TC74HC4051AF(EL_F)	1	222740515R2	
Q2009	IC	TC74HC4051AF(EL_F)	1	222740515R2	
Q2010	IC	TC74HC4051AF(EL_F)	1	222740515R2	
Q2011	IC	TC74HC4051AF(EL_F)	1	222740515R2	
Q2012	IC	NJM2587V	1	22242380R2	
Q2013	IC	NJM2587V	1	22242380R2	
Q2014	IC	MM1512	1	22241849R2	
Q2015	TR	RN1441	1	2215410R2	
Q2016	TR	RN1441	1	2215410R2	
Q2017	TR	RN1444-A	1	2216031R2	
Q2017 or	TR	RN1444-B	(1)	2216032R2	
Q2018	TR	RN1444-A	1	2216031R2	
Q2018 or	TR	RN1444-B	(1)	2216032R2	
Q2019	TR	RN1444-A	1	2216031R2	
Q2019 or	TR	RN1444-B	(1)	2216032R2	
Q2020	TR	RN1444-A	1	2216031R2	
Q2020 or	TR	RN1444-B	(1)	2216032R2	
Q2023	TR	KRA102S	1	2216220R2	
Q2023 or	TR	RN2402	(1)	2214530R2	
Q2024	TR	KTA1504-GR	1	2216185R2	
Q2024 or	TR	2SA1162-GR	(1)	2214375R2	
Q2025	TR	KRA102S	1	2216220R2	
Q2025 or	TR	RN2402	(1)	2214530R2	

Q2026	TR	KTA1504-GR	1	2216185R2
Q2026 or	TR	2SA1162-GR	(1)	2214375R2
Q2027	IC	NJU7312AM	1	22242210R2
Q2201	IC	NJW1321FP1	1	22242381R3
Q2204	TR	2SK3019	1	2216520R2
Q2205	TR	2SK3019	1	2216520R2
Q2206	IC	NJM2586AM	1	22242420R2
Q2207	IC	NJM2586AM	1	22242420R2
Q2501	IC	SI8008TM	1	22242323R2
Q2502	TR	2SC2712-GR	1	2213145R2
Q2503	TR	RN1402	1	2214470R2
Q2504	IC	NJM2388F09	1	22242383
Q2504A	SCREW	3P+10FN(3BC)	1	82143010GR
Q2504B	HEAT SINK	RAD-196	1	27160545
Q2505	IC	NJM2386ADL3-05	1	22242382R2
Q2506	TR	RN2402	1	2214530R2
Q2507	TR	2SD1468S-R	1	2215024T
Q2509	IC	7905FA(NJM7905FA)	1	222790054JRC
Q2509A	SCREW	3P+10FN(3BC)	1	82143010GR
Q2511	TR	2SC2712-GR	1	2213145R2
Q2512	TR	2SA1162-GR	1	2214375R2
Q2601	TR	2SB1240-R	1	2213794T
Q2601 or	TR	2SB1240-Q	(1)	2213793T
Q2601 or	TR	2SB1240-P	(1)	2213792T
Q2602	TR	KRC102S	1	2216190R2
Q2602 or	TR	RN1402	(1)	2214470R2
Q2603	TR	2SB1240-R	1	2213794T
Q2603 or	TR	2SB1240-Q	(1)	2213793T
Q2603 or	TR	2SB1240-P	(1)	2213792T
Q2604	TR	KRC102S	1	2216190R2
Q2604 or	TR	RN1402	(1)	2214470R2
Q2605	TR	2SB1240-R	1	2213794T
Q2605 or	TR	2SB1240-Q	(1)	2213793T
Q2605 or	TR	2SB1240-P	(1)	2213792T
Q2606	TR	KRC102S	1	2216190R2
Q2606 or	TR	RN1402	(1)	2214470R2
Q2607	TR	RN2402	1	2214530R2
Q2608	PHT CP	PS2501AL-1	1	24120141R2
Q2609	PHT CP	PS2501AL-1	1	24120141R2
Q4001	IC	NE5532APSR	1	22242283R2
Q4002	IC	NE5532APSR	1	22242283R2
Q4011	IC	NE5532APSR	1	22242283R2
Q4012	IC	NE5532APSR	1	22242283R2
Q4013	IC	NE5532APSR	1	22242283R2
Q4014	IC	NE5532APSR	1	22242283R2
Q4015	IC	NE5532APSR	1	22242283R2
Q4017	TR	2SC2240-BL(TPE2_F)	1	2211406T
Q4018	TR	2SC2240-BL(TPE2_F)	1	2211406T
Q4019	TR	2SC2240-BL(TPE2_F)	1	2211406T
Q4020	TR	2SC2240-BL(TPE2_F)	1	2211406T
Q4021	TR	2SC2712-GR	1	2213145R2
Q4022	TR	2SC2712-GR	1	2213145R2
Q4023	IC	NE5532APSR	1	22242283R2
Q4025	TR	RN1441	1	2215410R2
Q4026	TR	RN1441	1	2215410R2
Q4029	IC	TC94A46CFG	1	22242414R3
Q4029 or	IC	TC94A46FG	(1)	22242103R3
Q4030	IC	NE5532APSR	1	22242283R2
Q4031	IC	NE5532APSR	1	22242283R2
Q4032	IC	NE5532APSR	1	22242283R2
Q4040	IC	NE5532APSR	1	22242283R2
Q4041	IC	NE5532APSR	1	22242283R2
Q4042	IC	NE5532APSR	1	22242283R2
Q4043	IC	NE5532APSR	1	22242283R2
Q4205	TR	RN1441	1	2215410R2
Q4206	TR	RN1441	1	2215410R2
Q4207	TR	RN1441	1	2215410R2
Q4208	TR	RN1441	1	2215410R2

Q4209	TR	RN1441	1	2215410R2
Q4210	TR	RN1441	1	2215410R2
Q4211	TR	RN1441	1	2215410R2
Q4212	TR	RN1441	1	2215410R2
Q4213	TR	RN1441	1	2215410R2
Q4214	TR	RN1441	1	2215410R2
Q4215	TR	RN1441	1	2215410R2
Q4216	TR	RN1441	1	2215410R2
Q4301	IC	NE5532APSR	1	22242283R2
Q4302	IC	NE5532APSR	1	22242283R2
Q4303	IC	NE5532APSR	1	22242283R2
Q4304	IC	NJU7312AM	1	22242210R2
Q4305	IC	NJU7313AM	1	22242211R2
Q4306	IC	NJU7311AM	1	22242209R2
Q4401	TR	2SA950-Y	1	2211504T
Q4402	TR	2SC2120-Y	1	2211164T
Q4403	TR	2SC2712-GR	1	2213145R2
Q4404	TR	2SA1162-GR	1	2214375R2
Q4405	IC	CS3318-CQZR	1	22242404R2
Q4406	IC	NE5532APSR	1	22242283R2
Q4407	TR	2SC2712-GR	1	2213145R2
Q4408	TR	2SC2712-GR	1	2213145R2
Q4501	TR	2SC2235-Y(TPE6_F)	1	2211654T
Q4502	TR	2SC2235-Y(TPE6_F)	1	2211654T
Q4503	TR	2SA965-Y(TPE6_F)	1	2211644T
Q4504	TR	2SA965-Y(TPE6_F)	1	2211644T
Q4505	IC	NE5532APSR	1	22242283R2
Q4506	TR	2SC2712-GR	1	2213145R2
Q4610	TR	RN1441	1	2215410R2
Q4611	TR	RN1441	1	2215410R2
Q4612	TR	RN1441	1	2215410R2
Q4613	TR	RN1441	1	2215410R2
Q4614	TR	RN1441	1	2215410R2
Q4615	TR	RN1441	1	2215410R2
Q4616	TR	RN1441	1	2215410R2
Q4617	TR	RN1441	1	2215410R2
Q4620	TR	RN1441	1	2215410R2
Q4621	TR	RN1441	1	2215410R2
Q4622	TR	RN1441	1	2215410R2
Q4623	TR	RN1441	1	2215410R2
Q4624	TR	RN1441	1	2215410R2
Q4625	TR	RN1441	1	2215410R2
Q4626	TR	RN1441	1	2215410R2
Q4627	TR	RN1441	1	2215410R2
D2003	C-DIODE	1SS352	1	223234R2
D2003 or	C-DIODE	1SS355	(1)	223269R2
D2004	C-DIODE	1SS352	1	223234R2
D2004 or	C-DIODE	1SS355	(1)	223269R2
D2005	C-DIODE	1SS352	1	223234R2
D2005 or	C-DIODE	1SS355	(1)	223269R2
D2006	C-DIODE	1SS352	1	223234R2
D2006 or	C-DIODE	1SS355	(1)	223269R2
D2203	ZENER D	UDZ3.3B	1	224490330R2
D2501	C-DIODE	CRS09(TE85L_Q)	1	223274R2
D2502	C-DIODE	1SS352	1	223234R2
D2502 or	C-DIODE	1SS355	(1)	223269R2
D2503	C-DIODE	1SS352	1	223234R2
D2503 or	C-DIODE	1SS355	(1)	223269R2
D2504	C-DIODE	1SS352	1	223234R2
D2504 or	C-DIODE	1SS355	(1)	223269R2
D2505	C-DIODE	1SS352	1	223234R2
D2505 or	C-DIODE	1SS355	(1)	223269R2
D2506	ZENER D	UDZS10B	1	224551000R2
D2507	ZENER D	UDZS10B	1	224551000R2
D2508	C-DIODE	1SS352	1	223234R2
D2508 or	C-DIODE	1SS355	(1)	223269R2
D2509	C-DIODE	1SS352	1	223234R2
D2509 or	C-DIODE	1SS355	(1)	223269R2

D2510	DIODE	D10XB60H	1	22380337F
D2511	DIODE	RL1N4003	1	22380260T
D2512	C-DIODE	1SS352	1	223234R2
D2512 or	C-DIODE	1SS355	(1)	223269R2
D2513	C-DIODE	1SS352	1	223234R2
D2513 or	C-DIODE	1SS355	(1)	223269R2
D2601	C-DIODE	1SS352	1	223234R2
D2601 or	C-DIODE	1SS355	(1)	223269R2
D2602	C-DIODE	1SS352	1	223234R2
D2602 or	C-DIODE	1SS355	(1)	223269R2
D2603	C-DIODE	1SS352	1	223234R2
D2603 or	C-DIODE	1SS355	(1)	223269R2
D2604	C-DIODE	1SS352	1	223234R2
D2604 or	C-DIODE	1SS355	(1)	223269R2
D2605	C-DIODE	1SS352	1	223234R2
D2605 or	C-DIODE	1SS355	(1)	223269R2
D2606	C-DIODE	1SS352	1	223234R2
D2606 or	C-DIODE	1SS355	(1)	223269R2
D2607	DIODE	RL1N4003	1	22380260T
D4001	ZENER D	UDZS5.6B	1	224550560R2
D4002	ZENER D	UDZS5.6B	1	224550560R2
D4401	ZENER D	UDZS9.1B	1	224550910R2
D4402	ZENER D	UDZS9.1B	1	224550910R2
D4403	ZENER D	UDZ3.3B	1	224490330R2
D4404	C-DIODE	1SS352	1	223234R2
D4404 or	C-DIODE	1SS355	(1)	223269R2
D4405	C-DIODE	1SS352	1	223234R2
D4405 or	C-DIODE	1SS355	(1)	223269R2
D4501	C-DIODE	1SS352	1	223234R2
D4501 or	C-DIODE	1SS355	(1)	223269R2
D4502	C-DIODE	1SS352	1	223234R2
D4502 or	C-DIODE	1SS355	(1)	223269R2
D4503	C-DIODE	1SS352	1	223234R2
D4503 or	C-DIODE	1SS355	(1)	223269R2
D4504	C-DIODE	1SS352	1	223234R2
D4504 or	C-DIODE	1SS355	(1)	223269R2
D4505	C-DIODE	1SS352	1	223234R2
D4505 or	C-DIODE	1SS355	(1)	223269R2
D4506	C-DIODE	1SS352	1	223234R2
D4506 or	C-DIODE	1SS355	(1)	223269R2
D4507	C-DIODE	1SS352	1	223234R2
D4507 or	C-DIODE	1SS355	(1)	223269R2
D4508	C-DIODE	1SS352	1	223234R2
D4508 or	C-DIODE	1SS355	(1)	223269R2
D4509	C-DIODE	1SS352	1	223234R2
D4509 or	C-DIODE	1SS355	(1)	223269R2
L2501	CHOKE COIL	BLM21PG221SN1	1	230949R2
L2502	CHOKE COIL	NCH-2541	1	231363K470
L2601	EMIFIL	BK1608LM182-T	1	230958R1
L2602	EMIFIL	BK1608LM182-T	1	230958R1
L2603	EMIFIL	BK1608LM182-T	1	230958R1
L2604	EMIFIL	BK1608LM182-T	1	230958R1
C2001	C-CERA C	CK725F1E-104Z1	1	332161040R1
C2002	UTSP C	CE04W50V-10M(UTSP)	1	397581007T
C2003	UTSP C	CE04W50V-10M(UTSP)	1	397581007T
C2004	C-CERA C	CK725F1E-104Z1	1	332161040R1
C2005	UTSP C	CE04W50V-10M(UTSP)	1	397581007T
C2006	UTSP C	CE04W50V-10M(UTSP)	1	397581007T
C2007	C-CERA C	CK725B1H-102K1	1	332101025R1
C2008	C-CERA C	CK725F1E-104Z1	1	332161040R1
C2009	UTSP C	CE04W50V-10M(UTSP)	1	397581007T
C2010	UTSP C	CE04W50V-10M(UTSP)	1	397581007T
C2011	C-CERA C	CK725B1H-102K1	1	332101025R1
C2012	C-CERA C	CK725F1E-104Z1	1	332161040R1
C2013	UTSP C	CE04W50V-10M(UTSP)	1	397581007T
C2014	UTSP C	CE04W50V-10M(UTSP)	1	397581007T
C2015	C-CERA C	CK725B1H-102K1	1	332101025R1
C2016	C-CERA C	CK725F1E-104Z1	1	332161040R1

C2017	UTSP C	CE04W50V-10M(UTSP)	1	397581007T
C2018	UTSP C	CE04W50V-10M(UTSP)	1	397581007T
C2019	C-CERA C	CK725B1H-102K1	1	332101025R1
C2020	C-CERA C	CK725B1H-102K1	1	332101025R1
C2024	C-CERA C	CK725F1E-104Z1	1	332161040R1
C2025	VR C	CE04W6.3V-470M(VR)	1	394624717T
C2026	VR C	CE04W6.3V-470M(VR)	1	394624717T
C2027	C-CERA C	CK725F1E-104Z1	1	332161040R1
C2028	C-CERA C	CK725F1E-104Z1	1	332161040R1
C2029	C-CERA C	CK725F1E-104Z1	1	332161040R1
C2030	C-CERA C	CK725F1E-104Z1	1	332161040R1
C2031	C-CERA C	CK725F1E-104Z1	1	332161040R1
C2032	C-CERA C	CK725F1E-104Z1	1	332161040R1
C2033	C-CERA C	CK725F1E-104Z1	1	332161040R1
C2034	C-CERA C	CK725F1E-104Z1	1	332161040R1
C2035	C-CERA C	CK725F1E-104Z1	1	332161040R1
C2036	C-CERA C	CK725F1E-104Z1	1	332161040R1
C2037	C-CERA C	CK725F1E-104Z1	1	332161040R1
C2038	C-CERA C	CK725F1E-104Z1	1	332161040R1
C2043	C-CERA C	CK725F1E-104Z1	1	332161040R1
C2044	C-CERA C	CK725F1E-104Z1	1	332161040R1
C2045	C-CERA C	CK725F1E-104Z1	1	332161040R1
C2046	C-CERA C	CK725F1E-104Z1	1	332161040R1
C2047	C-CERA C	CK725F1E-104Z1	1	332161040R1
C2048	C-CERA C	CK725F1E-104Z1	1	332161040R1
C2049	C-CERA C	CK725F1E-104Z1	1	332161040R1
C2050	C-CERA C	CK725F1E-104Z1	1	332161040R1
C2051	C-CERA C	CK725F1E-104Z1	1	332161040R1
C2052	C-CERA C	CK725F1E-104Z1	1	332161040R1
C2053	C-CERA C	CK725F1E-104Z1	1	332161040R1
C2054	C-CERA C	CK725F1E-104Z1	1	332161040R1
C2055	C-CERA C	CK725F1E-104Z1	1	332161040R1
C2056	C-CERA C	CK725F1E-104Z1	1	332161040R1
C2057	C-CERA C	CK725F1E-104Z1	1	332161040R1
C2058	C-CERA C	CK725F1E-104Z1	1	332161040R1
C2061	VR C	CE04W6.3V-470M(VR)	1	394624717T
C2062	VR C	CE04W6.3V-470M(VR)	1	394624717T
C2063	UTSP C	CE04W50V-22M(UTSP)	1	397582207T
C2064	VR C	CE04W16V-100M(VR)	1	394641017T
C2065	UTSP C	CE04W50V-1M(UTSP)	1	397580107T
C2066	C-CERA C	CK725B1H-103K1	1	332101035R1
C2067	VR C	CE04W6.3V-220M(VR)	1	394622217T
C2068	C-CERA C	CK725F1E-104Z1	1	332161040R1
C2069	C-CERA C	CK725F1E-104Z1	1	332161040R1
C2070	VR C	CE04W6.3V-470M(VR)	1	394624717T
C2071	VR C	CE04W6.3V-470M(VR)	1	394624717T
C2072	C-CERA C	CK725F1E-104Z1	1	332161040R1
C2073	VR C	CE04W6.3V-470M(VR)	1	394624717T
C2074	VR C	CE04W6.3V-470M(VR)	1	394624717T
C2075	C-CERA C	CK725F1E-104Z1	1	332161040R1
C2076	VR C	CE04W6.3V-470M(VR)	1	394624717T
C2077	VR C	CE04W6.3V-470M(VR)	1	394624717T
C2078	VR C	CE04W6.3V-470M(VR)	1	394624717T
C2082	C-CERA C	CK725F1E-104Z1	1	332161040R1
C2083	C-CERA C	CK725F1E-104Z1	1	332161040R1
C2084	C-CERA C	CK725F1E-104Z1	1	332161040R1
C2085	C-CERA C	CK725F1E-104Z1	1	332161040R1
C2086	C-CERA C	CK725F1E-104Z1	1	332161040R1
C2087	C-CERA C	CK725F1E-104Z1	1	332161040R1
C2088	C-CERA C	CK725F1E-104Z1	1	332161040R1
C2089	C-CERA C	CK725F1E-104Z1	1	332161040R1
C2090	UTSP C	CE04W50V-10M(UTSP)	1	397581007T
C2091	UTSP C	CE04W50V-10M(UTSP)	1	397581007T
C2092	C-CERA C	CK725F1E-104Z1	1	332161040R1
C2201	UTSP C	CE04W50V-1M(UTSP)	1	397580107T
C2202	C-CERA C	CK725F1E-104Z1	1	332161040R1
C2203	UTSP C	CE04W50V-1M(UTSP)	1	397580107T
C2204	C-CERA C	CK725F1E-104Z1	1	332161040R1

C2205	UTSP C	CE04W50V-1M(UTSP)	1	397580107T
C2206	C-CERA C	CK725F1E-104Z1	1	332161040R1
C2207	UTSP C	CE04W50V-1M(UTSP)	1	397580107T
C2208	C-CERA C	CK725F1E-104Z1	1	332161040R1
C2209	UTSP C	CE04W50V-1M(UTSP)	1	397580107T
C2210	C-CERA C	CK725F1E-104Z1	1	332161040R1
C2211	UTSP C	CE04W50V-1M(UTSP)	1	397580107T
C2212	C-CERA C	CK725F1E-104Z1	1	332161040R1
C2214	UTSP C	CE04W50V-1M(UTSP)	1	397580107T
C2215	C-CERA C	CK725F1E-104Z1	1	332161040R1
C2216	UTSP C	CE04W50V-1M(UTSP)	1	397580107T
C2217	C-CERA C	CK725F1E-104Z1	1	332161040R1
C2218	UTSP C	CE04W50V-1M(UTSP)	1	397580107T
C2219	C-CERA C	CK725F1E-104Z1	1	332161040R1
C2221	C-CERA C	CK725B1H-102K1	1	332101025R1
C2222	C-CERA C	CK725F1E-104Z1	1	332161040R1
C2223	C-CERA C	CK725F1E-104Z1	1	332161040R1
C2224	C-CERA C	CK725F1E-104Z1	1	332161040R1
C2225	C-CERA C	CK725F1E-104Z1	1	332161040R1
C2226	C-CERA C	CK725F1E-104Z1	1	332161040R1
C2227	UTSP C	CE04W50V-1M(UTSP)	1	397580107T
C2228	C-CERA C	CK725F1E-104Z1	1	332161040R1
C2229	UTSP C	CE04W50V-10M(UTSP)	1	397581007T
C2230	C-CERA C	CK725F1E-104Z1	1	332161040R1
C2231	UTSP C	CE04W50V-10M(UTSP)	1	397581007T
C2232	C-CERA C	CK725F1E-104Z1	1	332161040R1
C2233	C-CERA C	CK725F1E-104Z1	1	332161040R1
C2234	C-CERA C	CK725F1E-104Z1	1	332161040R1
C2235	VR C	CE04W16V-220M(VR)	1	394642217T
C2236	C-CERA C	CK725F1E-104Z1	1	332161040R1
C2237	UTSP C	CE04W50V-10M(UTSP)	1	397581007T
C2239	UTSP C	CE04W50V-10M(UTSP)	1	397581007T
C2240	C-CERA C	CK725F1E-104Z1	1	332161040R1
C2241	UTSP C	CE04W50V-10M(UTSP)	1	397581007T
C2242	C-CERA C	CK725F1E-104Z1	1	332161040R1
C2243	UTSP C	CE04W50V-10M(UTSP)	1	397581007T
C2244	C-CERA C	CK725F1E-104Z1	1	332161040R1
C2245	C-CERA C	CK725F1E-104Z1	1	332161040R1
C2246	VR C	CE04W6.3V-220M(VR)	1	394622217T
C2248	VR C	CE04W6.3V-220M(VR)	1	394622217T
C2249	C-CERA C	CK725F1E-104Z1	1	332161040R1
C2250	UTSP C	CE04W50V-10M(UTSP)	1	397581007T
C2252	C-CERA C	CK725F1E-104Z1	1	332161040R1
C2256	C-CERA C	CK725F1E-104Z1	1	332161040R1
C2262	UTSP C	CE04W50V-10M(UTSP)	1	397581007T
C2263	UTSP C	CE04W50V-10M(UTSP)	1	397581007T
C2264	UTSP C	CE04W50V-10M(UTSP)	1	397581007T
C2265	UTSP C	CE04W50V-10M(UTSP)	1	397581007T
C2266	C-CERA C	CK725F1E-104Z1	1	332161040R1
C2267	UTSP C	CE04W50V-10M(UTSP)	1	397581007T
C2501	VR C	CE04W16V-470M(VR)	1	394644717T
C2502	C-CERA C	CK725B1H-223K1	1	332102235R1
C2503	C-CERA C	CK725F1E-104Z1	1	332161040R1
C2504	VR C	CE04W16V-470M(VR)	1	394644717T
C2505	TF C	ECQ-V50V-104J	1	374721044T
C2507	VR C	CE04W16V-10000M(VR)	1	394641037S
C2508	VR C	CE04W25V-2200M(VR)	1	394652227S
C2509	UTSP C	CE04W50V-1M(UTSP)	1	397580107T
C2510	VR C	CE04W16V-100M(VR)	1	394641017T
C2511	UTSP C	CE04W50V-1M(UTSP)	1	397580107T
C2512	VR C	CE04W16V-100M(VR)	1	394641017T
C2513	UTSP C	CE04W50V-22M(UTSP)	1	397582207T
C2514	UTSP C	CE04W50V-22M(UTSP)	1	397582207T
C2515	UTSP C	CE04W50V-1M(UTSP)	1	397580107T
C2516	VR C	CE04W16V-100M(VR)	1	394641017T
C2601	C-CERA C	CK725B1H-102K1	1	332101025R1
C2602	C-CERA C	CK725B1H-102K1	1	332101025R1
C2603	C-CERA C	CC725CH1H-101J1	1	342101014R1

C2605	C-CERA C	CC725CH1H-101J1	1	342101014R1
C2607	C-CERA C	CC725CH1H-101J1	1	342101014R1
C2608	C-CERA C	CC725CH1H-101J1	1	342101014R1
C4001	TF C	ECQ-B50V-221K	1	374722215T
C4002	TF C	ECQ-B50V-221K	1	374722215T
C4003	C-CERA C	CC725CH1H-221J1	1	342102214R1
C4004	C-CERA C	CC725CH1H-221J1	1	342102214R1
C4005	C-CERA C	CC725CH1H-221J1	1	342102214R1
C4006	C-CERA C	CC725CH1H-221J1	1	342102214R1
C4007	C-CERA C	CC725CH1H-221J1	1	342102214R1
C4008	C-CERA C	CC725CH1H-221J1	1	342102214R1
C4009	C-CERA C	CC725CH1H-221J1	1	342102214R1
C4010	C-CERA C	CC725CH1H-221J1	1	342102214R1
C4011	C-CERA C	CC725CH1H-221J1	1	342102214R1
C4012	C-CERA C	CC725CH1H-221J1	1	342102214R1
C4013	C-CERA C	CC725CH1H-221J1	1	342102214R1
C4014	C-CERA C	CC725CH1H-221J1	1	342102214R1
C4015	C-CERA C	CC725CH1H-221J1	1	342102214R1
C4016	C-CERA C	CC725CH1H-221J1	1	342102214R1
C4017	TF C	ECQ-B50V-221K	1	374722215T
C4018	TF C	ECQ-B50V-221K	1	374722215T
C4019	UTSP C	CE04W50V 47M(UTSP)	1	397584707T
C4020	UTSP C	CE04W50V 47M(UTSP)	1	397584707T
C4023	UTSP C	CE04W50V 47M(UTSP)	1	397584707T
C4024	UTSP C	CE04W50V 47M(UTSP)	1	397584707T
C4027	UTSP C	CE04W50V 47M(UTSP)	1	397584707T
C4028	UTSP C	CE04W50V 47M(UTSP)	1	397584707T
C4031	UTSP C	CE04W50V 47M(UTSP)	1	397584707T
C4032	UTSP C	CE04W50V 47M(UTSP)	1	397584707T
C4035	UTSP C	CE04W50V 47M(UTSP)	1	397584707T
C4036	UTSP C	CE04W50V 47M(UTSP)	1	397584707T
C4039	UTSP C	CE04W50V 47M(UTSP)	1	397584707T
C4040	UTSP C	CE04W50V 47M(UTSP)	1	397584707T
C4043	UTSP C	CE04W50V 47M(UTSP)	1	397584707T
C4044	UTSP C	CE04W50V 47M(UTSP)	1	397584707T
C4055	TF C	ECQ-B50V-221K	1	374722215T
C4056	TF C	ECQ-B50V-221K	1	374722215T
C4057	UTSP C	CE04W50V 47M(UTSP)	1	397584707T
C4058	UTSP C	CE04W50V 47M(UTSP)	1	397584707T
C4059	UTSP C	CE04W50V 47M(UTSP)	1	397584707T
C4060	UTSP C	CE04W50V 47M(UTSP)	1	397584707T
C4061	UTSP C	CE04W25V-220M(UTSP)	1	397552217T
C4062	UTSP C	CE04W25V-220M(UTSP)	1	397552217T
C4063	TF C	ECQ-B50V-682J	1	374726824T
C4064	TF C	ECQ-B50V-682J	1	374726824T
C4065	TF C	ECQ-B50V-182J	1	374721824T
C4066	TF C	ECQ-B50V-182J	1	374721824T
C4067	UTSP C	CE04W50V-22M(UTSP)	1	397582207T
C4068	UTSP C	CE04W50V-22M(UTSP)	1	397582207T
C4069	TF C	ECQ-B50V-222J	1	374722224T
C4070	TF C	ECQ-B50V-222J	1	374722224T
C4079	UTSP C	CE04W25V-220M(UTSP)	1	397552217T
C4080	UTSP C	CE04W25V-220M(UTSP)	1	397552217T
C4081	UTSP C	CE04W50V-100M(UTSP)	1	397581017T
C4083	UTSP C	CE04W50V-100M(UTSP)	1	397581017T
C4085	UTSP C	CE04W50V-100M(UTSP)	1	397581017T
C4087	TRM(TEST PIN)	TP00509-3C	1	25060406T
C4088	TRM(TEST PIN)	TP00509-3C	1	25060406T
C4089	TRM(TEST PIN)	TP00509-3C	1	25060406T
C4090	TRM(TEST PIN)	TP00509-3C	1	25060406T
C4091	TF C	ECQ-B50V-221K	1	374722215T
C4094	UTSP C	CE04W50V-100M(UTSP)	1	397581017T
C4101	UTSP C	CE04W50V 47M(UTSP)	1	397584707T
C4102	UTSP C	CE04W50V 47M(UTSP)	1	397584707T
C4103	UTSP C	CE04W50V 47M(UTSP)	1	397584707T
C4104	UTSP C	CE04W50V 47M(UTSP)	1	397584707T
C4105	UTSP C	CE04W50V 47M(UTSP)	1	397584707T
C4106	UTSP C	CE04W50V 47M(UTSP)	1	397584707T

C4107	UTSP C	CE04W50V 47M(UTSP)	1	397584707T
C4108	UTSP C	CE04W50V 47M(UTSP)	1	397584707T
C4111	UTSP C	CE04W50V 47M(UTSP)	1	397584707T
C4112	UTSP C	CE04W50V 47M(UTSP)	1	397584707T
C4119	UTSP C	CE04W50V 47M(UTSP)	1	397584707T
C4120	UTSP C	CE04W50V 47M(UTSP)	1	397584707T
C4175	C-CERA C	CC725SL1E-152J1	1	342131524R1
C4176	C-CERA C	CC725SL1E-152J1	1	342131524R1
C4177	C-CERA C	CC725CH1H-221J1	1	342102214R1
C4178	C-CERA C	CC725CH1H-221J1	1	342102214R1
C4215	UTSP C	CE04W50V 47M(UTSP)	1	397584707T
C4216	UTSP C	CE04W50V 47M(UTSP)	1	397584707T
C4217	C-CERA C	CC725CH1H-221J1	1	342102214R1
C4218	C-CERA C	CC725CH1H-221J1	1	342102214R1
C4219	UTSP C	CE04W50V 47M(UTSP)	1	397584707T
C4220	UTSP C	CE04W50V 47M(UTSP)	1	397584707T
C4221	C-CERA C	CC725CH1H-221J1	1	342102214R1
C4222	C-CERA C	CC725CH1H-221J1	1	342102214R1
C4223	UTSP C	CE04W50V 47M(UTSP)	1	397584707T
C4224	UTSP C	CE04W50V 47M(UTSP)	1	397584707T
C4225	C-CERA C	CC725CH1H-221J1	1	342102214R1
C4226	C-CERA C	CC725CH1H-221J1	1	342102214R1
C4243	C-CERA C	CC725CH1H-102J1	1	342101024R1
C4302	UTSP C	CE04W50V-100M(UTSP)	1	397581017T
C4311	C-CERA C	CC725CH1H-101J1	1	342101014R1
C4312	C-CERA C	CC725CH1H-101J1	1	342101014R1
C4313	C-CERA C	CC725CH1H-101J1	1	342101014R1
C4314	C-CERA C	CC725CH1H-101J1	1	342101014R1
C4315	UTSP C	CE04W50V 47M(UTSP)	1	397584707T
C4316	UTSP C	CE04W50V 47M(UTSP)	1	397584707T
C4319	C-CERA C	CC725CH1H-101J1	1	342101014R1
C4320	C-CERA C	CC725CH1H-101J1	1	342101014R1
C4321	UTSP C	CE04W50V 47M(UTSP)	1	397584707T
C4322	UTSP C	CE04W50V 47M(UTSP)	1	397584707T
C4401	UTSP C	CE04W25V-100M(UTSP)	1	397551017T
C4402	UTSP C	CE04W25V-100M(UTSP)	1	397551017T
C4403	UTSP C	CE04W50V 47M(UTSP)	1	397584707T
C4404	UTSP C	CE04W50V 47M(UTSP)	1	397584707T
C4405	UTSP C	CE04W25V-220M(UTSP)	1	397552217T
C4406	UTSP C	CE04W25V-220M(UTSP)	1	397552217T
C4407	UTSP C	CE04W50V 47M(UTSP)	1	397584707T
C4408	C-CERA C	CK725F1H-104Z1	1	332151040R1
C4409	C-CERA C	CC725CH1H-101J1	1	342101014R1
C4410	C-CERA C	CC725CH1H-101J1	1	342101014R1
C4411	C-CERA C	CC725CH1H-101J1	1	342101014R1
C4412	C-CERA C	CC725CH1H-101J1	1	342101014R1
C4413	UTSP C	CE04W50V-10M(UTSP)	1	397581007T
C4414	UTSP C	CE04W50V-10M(UTSP)	1	397581007T
C4415	UTSP C	CE04W50V-10M(UTSP)	1	397581007T
C4416	UTSP C	CE04W50V-10M(UTSP)	1	397581007T
C4417	UTSP C	CE04W50V-100M(UTSP)	1	397581017T
C4419	C-CERA C	CC725CH1H-102J1	1	342101024R1
C4420	UTSP C	CE04W50V-10M(UTSP)	1	397581007T
C4421	TRM(TEST PIN)	TP00509-3C	1	25060406T
C4422	TRM(TEST PIN)	TP00509-3C	1	25060406T
C4423	TF C	ECQ-V50V-104J	1	374721044T
C4424	TF C	ECQ-V50V-104J	1	374721044T
C4501	UTSP C	CE04W50V 47M(UTSP)	1	397584707T
C4502	UTSP C	CE04W50V 47M(UTSP)	1	397584707T
C4503	C-CERA C	CC725CH1H-101J1	1	342101014R1
C4504	C-CERA C	CC725CH1H-101J1	1	342101014R1
C4505	TF C	ECQ-V50V-104J	1	374721044T
C4600	C-CERA C	CC725CH1H-221J1	1	342102214R1
C4601	C-CERA C	CC725CH1H-221J1	1	342102214R1
C4602	C-CERA C	CC725CH1H-221J1	1	342102214R1
C4603	C-CERA C	CC725CH1H-221J1	1	342102214R1
C4604	C-CERA C	CC725CH1H-221J1	1	342102214R1
C4605	C-CERA C	CC725CH1H-221J1	1	342102214R1

C4606	C-CERA C	CC725CH1H-221J1	1	342102214R1
C4607	C-CERA C	CC725CH1H-221J1	1	342102214R1
C4610	UTSP C	CE04W50V 47M(UTSP)	1	397584707T
C4611	UTSP C	CE04W50V 47M(UTSP)	1	397584707T
C4612	UTSP C	CE04W50V 47M(UTSP)	1	397584707T
C4613	UTSP C	CE04W50V 47M(UTSP)	1	397584707T
C4614	UTSP C	CE04W50V 47M(UTSP)	1	397584707T
C4615	UTSP C	CE04W50V 47M(UTSP)	1	397584707T
C4616	UTSP C	CE04W50V 47M(UTSP)	1	397584707T
C4617	UTSP C	CE04W50V 47M(UTSP)	1	397584707T
C4622	UTSP C	CE04W50V 47M(UTSP)	1	397584707T
C4623	UTSP C	CE04W50V 47M(UTSP)	1	397584707T
C4624	UTSP C	CE04W50V 47M(UTSP)	1	397584707T
C4625	UTSP C	CE04W50V 47M(UTSP)	1	397584707T
C4626	UTSP C	CE04W50V 47M(UTSP)	1	397584707T
C4627	UTSP C	CE04W50V 47M(UTSP)	1	397584707T
C4630	C-CERA C	CC725CH1H-221J1	1	342102214R1
C4631	C-CERA C	CC725CH1H-221J1	1	342102214R1
C4632	C-CERA C	CC725CH1H-221J1	1	342102214R1
C4633	C-CERA C	CC725CH1H-221J1	1	342102214R1
C4634	C-CERA C	CC725CH1H-221J1	1	342102214R1
C4635	C-CERA C	CC725CH1H-221J1	1	342102214R1
C4636	C-CERA C	CC725CH1H-221J1	1	342102214R1
C4637	C-CERA C	CC725CH1H-221J1	1	342102214R1
C4650	UTSP C	CE04W50V 47M(UTSP)	1	397584707T
C4651	UTSP C	CE04W50V 47M(UTSP)	1	397584707T
C4652	UTSP C	CE04W50V 47M(UTSP)	1	397584707T
C4653	UTSP C	CE04W50V 47M(UTSP)	1	397584707T
C4654	UTSP C	CE04W50V 47M(UTSP)	1	397584707T
C4655	UTSP C	CE04W50V 47M(UTSP)	1	397584707T
C4656	UTSP C	CE04W50V 47M(UTSP)	1	397584707T
C4657	UTSP C	CE04W50V 47M(UTSP)	1	397584707T
R2001	C-CARBON R	RN72K1J-750JE	1	435037504R1
R2002	C-CARBON R	RN72K1J-750JE	1	435037504R1
R2003	C-CARBON R	RN72K1J-750JE	1	435037504R1
R2004	C-CARBON R	RN72K1J-750JE	1	435037504R1
R2005	C-CARBON R	RN72K1J-750JE	1	435037504R1
R2006	C-CARBON R	RN72K1J-750JE	1	435037504R1
R2007	C-CARBON R	RN72K1J-750JE	1	435037504R1
R2008	C-CARBON R	RN72K1J-750JE	1	435037504R1
R2009	C-CARBON R	RN72K1J-750JE	1	435037504R1
R2010	C-CARBON R	RN72K1J-750JE	1	435037504R1
R2011	C-CARBON R	RN72K1J-750JE	1	435037504R1
R2012	C-CARBON R	RN72K1J-750JE	1	435037504R1
R2013	C-CARBON R	RN72K1J-104JE	1	435031044R1
R2014	C-CARBON R	RN72K1J-104JE	1	435031044R1
R2015	C-CARBON R	RN72K1J-104JE	1	435031044R1
R2016	C-CARBON R	RN72K1J-750JE	1	435037504R1
R2017	C-CARBON R	RN72K1J-750JE	1	435037504R1
R2018	C-CARBON R	RN72K1J-750JE	1	435037504R1
R2019	C-CARBON R	RN72K1J-750JE	1	435037504R1
R2020	C-CARBON R	RN72K1J-750JE	1	435037504R1
R2021	C-CARBON R	RN72K1J-750JE	1	435037504R1
R2022	C-CARBON R	RN72K1J-750JE	1	435037504R1
R2023	C-CARBON R	RN72K1J-750JE	1	435037504R1
R2024	C-CARBON R	RN72K1J-750JE	1	435037504R1
R2025	C-CARBON R	RN72K1J-104JE	1	435031044R1
R2026	C-CARBON R	RN72K1J-104JE	1	435031044R1
R2027	C-CARBON R	RN72K1J-104JE	1	435031044R1
R2028	C-CARBON R	RN72K1J-750JE	1	435037504R1
R2029	C-CARBON R	RN72K1J-104JE	1	435031044R1
R2030	C-CARBON R	RN72K1J-103JE	1	435031034R1
R2031	C-CARBON R	RN72K1J-103JE	1	435031034R1
R2032	C-CARBON R	RN72K1J-103JE	1	435031034R1
R2033	C-CARBON R	RN72K1J-104JE	1	435031044R1
R2034	C-CARBON R	RN72K1J-104JE	1	435031044R1
R2035	C-CARBON R	RN72K1J-103JE	1	435031034R1
R2036	C-CARBON R	RN72K1J-103JE	1	435031034R1

R2038	C-CARBON R	RN72K1J-104JE	1	435031044R1
R2039	C-CARBON R	RN72K1J-104JE	1	435031044R1
R2040	C-CARBON R	RN72K1J-104JE	1	435031044R1
R2041	C-CARBON R	RN72K1J-104JE	1	435031044R1
R2042	C-CARBON R	RN72K1J-104JE	1	435031044R1
R2043	C-CARBON R	RN72K1J-104JE	1	435031044R1
R2046	C-CARBON R	RN72K1J-022JE	1	435030224R1
R2047	C-CARBON R	RN72K1J-022JE	1	435030224R1
R2052	C-CARBON R	RN72K1J-151JE	1	435031514R1
R2053	C-CARBON R	RN72K1J-151JE	1	435031514R1
R2054	C-CARBON R	RN72K1J-151JE	1	435031514R1
R2055	C-CARBON R	RN72K1J-151JE	1	435031514R1
R2056	C-CARBON R	RN72K1J-047JE	1	435030474R1
R2057	C-CARBON R	RN72K1J-750JE	1	435037504R1
R2058	C-CARBON R	RN72K1J-750JE	1	435037504R1
R2059	C-CARBON R	RN72K1J-750JE	1	435037504R1
R2060	C-CARBON R	RN72K1J-104JE	1	435031044R1
R2061	C-CARBON R	RN72K1J-102JE	1	435031024R1
R2062	C-CARBON R	RN72K1J-102JE	1	435031024R1
R2063	C-CARBON R	RN72K1J-103JE	1	435031034R1
R2064	C-CARBON R	RN72K1J-103JE	1	435031034R1
R2065	C-CARBON R	RN72K1J-103JE	1	435031034R1
R2066	C-CARBON R	RN72K1J-104JE	1	435031044R1
R2067	C-CARBON R	RN72K1J-103JE	1	435031034R1
R2068	C-CARBON R	RN72K1J-103JE	1	435031034R1
R2069	C-CARBON R	RN72K1J-104JE	1	435031044R1
R2070	C-CARBON R	RN72K1J-103JE	1	435031034R1
R2074	C-CARBON R	RN72K1J-103JE	1	435031034R1
R2075	C-CARBON R	RN72K1J-680JE	1	435036804R1
R2076	C-CARBON R	RN72K1J-222JE	1	435032224R1
R2077	C-CARBON R	RN72K1J-333JE	1	435033334R1
R2078	C-CARBON R	RN72K1J-103JE	1	435031034R1
R2079	C-CARBON R	RN72K1J-680JE	1	435036804R1
R2080	C-CARBON R	RN72K1J-222JE	1	435032224R1
R2081	C-CARBON R	RN72K1J-333JE	1	435033334R1
R2082	C-CARBON R	RN72K1J-102JE	1	435031024R1
R2083	C-CARBON R	RN72K1J-102JE	1	435031024R1
R2084	C-CARBON R	RN72K1J-102JE	1	435031024R1
R2085	C-CARBON R	RN72K1J-221JE	1	435032214R1
R2086	C-CARBON R	RN72K1J-221JE	1	435032214R1
R2201	C-CARBON R	RN72K1J-750JE	1	435037504R1
R2202	C-CARBON R	RN72K1J-750JE	1	435037504R1
R2203	C-CARBON R	RN72K1J-750JE	1	435037504R1
R2204	C-CARBON R	RN72K1J-750JE	1	435037504R1
R2205	C-CARBON R	RN72K1J-750JE	1	435037504R1
R2206	C-CARBON R	RN72K1J-750JE	1	435037504R1
R2207	C-CARBON R	RN72K1J-750JE	1	435037504R1
R2208	C-CARBON R	RN72K1J-750JE	1	435037504R1
R2209	C-CARBON R	RN72K1J-750JE	1	435037504R1
R2216	C-CARBON R	RN72K1J-103JE	1	435031034R1
R2217	C-CARBON R	RN72K1J-101JE	1	435031014R1
R2218	C-CARBON R	RN72K1J-101JE	1	435031014R1
R2219	C-CARBON R	RN72K1J-022JE	1	435030224R1
R2220	C-CARBON R	RN72K1J-102JE	1	435031024R1
R2221	C-CARBON R	RN72K1J-102JE	1	435031024R1
R2222	C-CARBON R	RN72K1J-102JE	1	435031024R1
R2223	C-CARBON R	RN72K1J-102JE	1	435031024R1
R2227	C-CARBON R	RN72K1J-103JE	1	435031034R1
R2228	C-CARBON R	RN72K1J-222JE	1	435032224R1
R2229	C-CARBON R	RN72K1J-222JE	1	435032224R1
R2230	C-CARBON R	RN72K1J-102JE	1	435031024R1
R2231	C-CARBON R	RN72K1J-022JE	1	435030224R1
R2232	C-CARBON R	RN72K1J-102JE	1	435031024R1
R2233	C-CARBON R	RN72K1J-330JE	1	435033304R1
R2234	C-CARBON R	RN72K1J-330JE	1	435033304R1
R2235	C-CARBON R	RN72K1J-330JE	1	435033304R1
R2237	C-CARBON R	RN72K1J-750JE	1	435037504R1
R2238	C-CARBON R	RN72K1J-033JE	1	435030334R1

R2239	C-CARBON R	RN72K1J-033JE	1	435030334R1
R2240	C-CARBON R	RN72K1J-033JE	1	435030334R1
R2241	C-CARBON R	RN72K1J-750JE	1	435037504R1
R2242	C-CARBON R	RN72K1J-750JE	1	435037504R1
R2246	C-CARBON R	RN72K1J-022JE	1	435030224R1
R2247	C-CARBON R	RN72K1J-102JE	1	435031024R1
R2248	C-CARBON R	RN72K1J-104JE	1	435031044R1
R2250	C-CARBON R	RN72K1J-271JE	1	435032714R1
R2259	C-CARBON R	RN72K1J-102JE	1	435031024R1
R2260	C-CARBON R	RN72K1J-750JE	1	435037504R1
R2261	C-CARBON R	RN72K1J-750JE	1	435037504R1
R2262	C-CARBON R	RN72K1J-750JE	1	435037504R1
R2263	C-CARBON R	RN72K1J-104JE	1	435031044R1
R2264	C-CARBON R	RN72K1J-033JE	1	435030334R1
R2265	C-CARBON R	RN72K1J-033JE	1	435030334R1
R2266	C-CARBON R	RN72K1J-033JE	1	435030334R1
R2271	C-CARBON R	RN72K1J-103JE	1	435031034R1
R2272	C-CARBON R	RN72K1J-103JE	1	435031034R1
R2501	C-CARBON R	RN72K1J-103JE	1	435031034R1
R2502	C-CARBON R	RN72K1J-103JE	1	435031034R1
R2503	C-CARBON R	RN72K1J-821JE	1	435038214R1
R2504	C-CARBON R	RN72K1J-103JE	1	435031034R1
R2505	METAL R	RNU1/2WCJ-0.47	1	453534794T
R2506	C-CARBON R	RN72K1J-103JE	1	435031034R1
R2507	METAL R	RNU1/2WCJ-0.22	1	453532294T
R2508	C-CARBON R	RN72K1J-102JE	1	435031024R1
R2509	C-CARBON R	RN72K1J-473JE	1	435034734R1
R2510	METAL R	RNU1WCJ-0.22	1	453632294T
R2511	C-CARBON R	RN72K2E-015JE	1	435220154R1
R2512	METAL R	RNU2WCJ-4.7	1	452730474F
R2513	METAL R	RNU2WCJ-4.7	1	452730474F
R2514	METAL R	RNU2WCJ-4.7	1	452730474F
R2515	C-CARBON R	RN72K1J-471JE	1	435034714R1
R2516	C-CARBON R	RN72K1J-471JE	1	435034714R1
R2601	C-CARBON R	RN72K1J-101JE	1	435031014R1
R2602	C-CARBON R	RN72K1J-101JE	1	435031014R1
R2603	C-CARBON R	RN72K1J-039JE	1	435030394R1
R2604	C-CARBON R	RN72K1J-224JE	1	435032244R1
R2605	C-CARBON R	RN72K1J-102JE	1	435031024R1
R2606	C-CARBON R	RN72K1J-039JE	1	435030394R1
R2607	C-CARBON R	RN72K1J-224JE	1	435032244R1
R2608	C-CARBON R	RN72K1J-102JE	1	435031024R1
R2609	C-CARBON R	RN72K1J-039JE	1	435030394R1
R2610	C-CARBON R	RN72K1J-224JE	1	435032244R1
R2611	C-CARBON R	RN72K1J-102JE	1	435031024R1
R2612	C-CARBON R	RN72K1J-470JE	1	435034704R1
R2613	C-CARBON R	RN72K1J-101JE	1	435031014R1
R2614	C-CARBON R	RN72K1J-103JE	1	435031034R1
R2615	C-CARBON R	RN72K1J-000JE	1	435030004R1
R2619	C-CARBON R	RN72K1J-000JE	1	435030004R1
R2621	C-CARBON R	RN72K1J-470JE	1	435034704R1
R4001	C-CARBON R	RN72K1J-331JE	1	435033314R1
R4002	C-CARBON R	RN72K1J-331JE	1	435033314R1
R4003	C-CARBON R	RN72K1J-563JE	1	435035634R1
R4004	C-CARBON R	RN72K1J-563JE	1	435035634R1
R4005	C-CARBON R	RN72K1J-331JE	1	435033314R1
R4006	C-CARBON R	RN72K1J-331JE	1	435033314R1
R4007	C-CARBON R	RN72K1J-224JE	1	435032244R1
R4008	C-CARBON R	RN72K1J-224JE	1	435032244R1
R4009	C-CARBON R	RN72K1J-331JE	1	435033314R1
R4010	C-CARBON R	RN72K1J-331JE	1	435033314R1
R4011	C-CARBON R	RN72K1J-563JE	1	435035634R1
R4012	C-CARBON R	RN72K1J-563JE	1	435035634R1
R4013	C-CARBON R	RN72K1J-470JE	1	435034704R1
R4014	C-CARBON R	RN72K1J-470JE	1	435034704R1
R4015	C-CARBON R	RN72K1J-224JE	1	435032244R1
R4016	C-CARBON R	RN72K1J-224JE	1	435032244R1
R4017	C-CARBON R	RN72K1J-331JE	1	435033314R1

R4018	C-CARBON R	RN72K1J-331JE	1	435033314R1
R4019	C-CARBON R	RN72K1J-563JE	1	435035634R1
R4020	C-CARBON R	RN72K1J-563JE	1	435035634R1
R4021	C-CARBON R	RN72K1J-331JE	1	435033314R1
R4022	C-CARBON R	RN72K1J-331JE	1	435033314R1
R4023	C-CARBON R	RN72K1J-563JE	1	435035634R1
R4024	C-CARBON R	RN72K1J-563JE	1	435035634R1
R4025	C-CARBON R	RN72K1J-331JE	1	435033314R1
R4026	C-CARBON R	RN72K1J-331JE	1	435033314R1
R4027	C-CARBON R	RN72K1J-563JE	1	435035634R1
R4028	C-CARBON R	RN72K1J-563JE	1	435035634R1
R4029	C-CARBON R	RN72K1J-331JE	1	435033314R1
R4030	C-CARBON R	RN72K1J-331JE	1	435033314R1
R4031	C-CARBON R	RN72K1J-563JE	1	435035634R1
R4032	C-CARBON R	RN72K1J-563JE	1	435035634R1
R4033	C-CARBON R	RN72K1J-331JE	1	435033314R1
R4034	C-CARBON R	RN72K1J-331JE	1	435033314R1
R4035	C-CARBON R	RN72K1J-563JE	1	435035634R1
R4036	C-CARBON R	RN72K1J-563JE	1	435035634R1
R4037	C-CARBON R	RN72K1J-224JE	1	435032244R1
R4038	C-CARBON R	RN72K1J-224JE	1	435032244R1
R4041	C-CARBON R	RN72K1J-100JE	1	435031004R1
R4042	C-CARBON R	RN72K1J-100JE	1	435031004R1
R4043	C-CARBON R	RN72K1J-101JE	1	435031014R1
R4044	C-CARBON R	RN72K1J-101JE	1	435031014R1
R4045	C-CARBON R	RN72K1J-221JE	1	435032214R1
R4046	C-CARBON R	RN72K1J-221JE	1	435032214R1
R4047	C-CARBON R	RN72K1J-224JE	1	435032244R1
R4048	C-CARBON R	RN72K1J-224JE	1	435032244R1
R4051	C-CARBON R	RN72K1J-100JE	1	435031004R1
R4052	C-CARBON R	RN72K1J-100JE	1	435031004R1
R4053	C-CARBON R	RN72K1J-101JE	1	435031014R1
R4054	C-CARBON R	RN72K1J-101JE	1	435031014R1
R4055	C-CARBON R	RN72K1J-221JE	1	435032214R1
R4056	C-CARBON R	RN72K1J-221JE	1	435032214R1
R4057	C-CARBON R	RN72K1J-224JE	1	435032244R1
R4058	C-CARBON R	RN72K1J-224JE	1	435032244R1
R4061	C-CARBON R	RN72K1J-224JE	1	435032244R1
R4062	C-CARBON R	RN72K1J-224JE	1	435032244R1
R4065	C-CARBON R	RN72K1J-224JE	1	435032244R1
R4066	C-CARBON R	RN72K1J-224JE	1	435032244R1
R4069	C-CARBON R	RN72K1J-224JE	1	435032244R1
R4070	C-CARBON R	RN72K1J-224JE	1	435032244R1
R4073	C-CARBON R	RN72K1J-224JE	1	435032244R1
R4074	C-CARBON R	RN72K1J-224JE	1	435032244R1
R4077	C-CARBON R	RN72K1J-102JE	1	435031024R1
R4078	C-CARBON R	RN72K1J-102JE	1	435031024R1
R4079	C-CARBON R	RN72K1J-563JE	1	435035634R1
R4080	C-CARBON R	RN72K1J-563JE	1	435035634R1
R4081	METAL O R	RS1/2WBJ-2.7K	1	443522724T
R4082	METAL O R	RS1/2WBJ-2.7K	1	443522724T
R4083	C-CARBON R	RN72K1J-223JE	1	435032234R1
R4084	C-CARBON R	RN72K1J-223JE	1	435032234R1
R4085	C-CARBON R	RN72K1J-224JE	1	435032244R1
R4086	C-CARBON R	RN72K1J-224JE	1	435032244R1
R4087	C-CARBON R	RN72K1J-272JE	1	435032724R1
R4088	C-CARBON R	RN72K1J-272JE	1	435032724R1
R4089	C-CARBON R	RN72K1J-332JE	1	435033324R1
R4090	C-CARBON R	RN72K1J-332JE	1	435033324R1
R4091	C-CARBON R	RN72K1J-332JE	1	435033324R1
R4092	C-CARBON R	RN72K1J-332JE	1	435033324R1
R4093	C-CARBON R	RN72K1J-393JE	1	435033934R1
R4094	C-CARBON R	RN72K1J-393JE	1	435033934R1
R4095	C-CARBON R	RN72K1J-474JE	1	435034744R1
R4096	C-CARBON R	RN72K1J-474JE	1	435034744R1
R4097	C-CARBON R	RN72K1J-821JE	1	435038214R1
R4098	C-CARBON R	RN72K1J-821JE	1	435038214R1
R4099	C-CARBON R	RN72K1J-821JE	1	435038214R1

R4100	C-CARBON R	RN72K1J-821JE	1	435038214R1
R4101	C-CARBON R	RN72K1J-224JE	1	435032244R1
R4102	C-CARBON R	RN72K1J-224JE	1	435032244R1
R4113	NF CARBON R	R25J-100	1	415471014T
R4114	NF CARBON R	R25J-100	1	415471014T
R4115	METAL O R	RS1/2WBJ-22	1	443522204T
R4116	METAL O R	RS1/2WBJ-22	1	443522204T
R4117	METAL O R	RS1/2WBJ-22	1	443522204T
R4118	METAL O R	RS1/2WBJ-22	1	443522204T
R4119	METAL O R	RS1/2WBJ-22	1	443522204T
R4120	METAL O R	RS1/2WBJ-22	1	443522204T
R4121	C-CARBON R	RN72K1J-222JE	1	435032224R1
R4122	C-CARBON R	RN72K1J-222JE	1	435032224R1
R4123	C-CARBON R	RN72K1J-000JE	1	435030004R1
R4124	C-CARBON R	RN72K1J-000JE	1	435030004R1
R4125	C-CARBON R	RN72K1J-224JE	1	435032244R1
R4126	C-CARBON R	RN72K1J-224JE	1	435032244R1
R4127	METAL O R	RS1/2WBJ-22	1	443522204T
R4128	METAL O R	RS1/2WBJ-22	1	443522204T
R4129	C-CARBON R	RN72K1J-103JE	1	435031034R1
R4130	C-CARBON R	RN72K1J-103JE	1	435031034R1
R4131	C-CARBON R	RN72K1J-103JE	1	435031034R1
R4133	C-CARBON R	RN72K1J-220JE	1	435032204R1
R4134	C-CARBON R	RN72K1J-220JE	1	435032204R1
R4135	C-CARBON R	RN72K1J-220JE	1	435032204R1
R4136	C-CARBON R	RN72K1J-220JE	1	435032204R1
R4151	C-CARBON R	RN72K1J-224JE	1	435032244R1
R4152	C-CARBON R	RN72K1J-224JE	1	435032244R1
R4153	C-CARBON R	RN72K1J-224JE	1	435032244R1
R4154	C-CARBON R	RN72K1J-224JE	1	435032244R1
R4155	C-CARBON R	RN72K1J-224JE	1	435032244R1
R4156	C-CARBON R	RN72K1J-224JE	1	435032244R1
R4157	C-CARBON R	RN72K1J-224JE	1	435032244R1
R4158	C-CARBON R	RN72K1J-224JE	1	435032244R1
R4159	C-CARBON R	RN72K1J-103JE	1	435031034R1
R4160	C-CARBON R	RN72K1J-103JE	1	435031034R1
R4161	C-CARBON R	RN72K1J-103JE	1	435031034R1
R4162	C-CARBON R	RN72K1J-103JE	1	435031034R1
R4163	C-CARBON R	RN72K1J-224JE	1	435032244R1
R4164	C-CARBON R	RN72K1J-224JE	1	435032244R1
R4165	C-CARBON R	RN72K1J-101JE	1	435031014R1
R4166	C-CARBON R	RN72K1J-101JE	1	435031014R1
R4167	C-CARBON R	RN72K1J-104JE	1	435031044R1
R4168	C-CARBON R	RN72K1J-104JE	1	435031044R1
R4169	C-CARBON R	RN72K1J-473JE	1	435034734R1
R4170	C-CARBON R	RN72K1J-101JE	1	435031014R1
R4171	C-CARBON R	RN72K1J-104JE	1	435031044R1
R4175	C-CARBON R	RN72K1J-221JE	1	435032214R1
R4176	C-CARBON R	RN72K1J-221JE	1	435032214R1
R4177	C-CARBON R	RN72K1J-102JE	1	435031024R1
R4178	C-CARBON R	RN72K1J-102JE	1	435031024R1
R4179	C-CARBON R	RN72K1J-122JE	1	435031224R1
R4180	C-CARBON R	RN72K1J-122JE	1	435031224R1
R4217	C-CARBON R	RN72K1J-224JE	1	435032244R1
R4218	C-CARBON R	RN72K1J-224JE	1	435032244R1
R4219	C-CARBON R	RN72K1J-221JE	1	435032214R1
R4220	C-CARBON R	RN72K1J-221JE	1	435032214R1
R4221	C-CARBON R	RN72K1J-101JE	1	435031014R1
R4222	C-CARBON R	RN72K1J-101JE	1	435031014R1
R4223	C-CARBON R	RN72K1J-100JE	1	435031004R1
R4224	C-CARBON R	RN72K1J-100JE	1	435031004R1
R4225	C-CARBON R	RN72K1J-224JE	1	435032244R1
R4226	C-CARBON R	RN72K1J-224JE	1	435032244R1
R4227	C-CARBON R	RN72K1J-470JE	1	435034704R1
R4228	C-CARBON R	RN72K1J-470JE	1	435034704R1
R4229	C-CARBON R	RN72K1J-224JE	1	435032244R1
R4230	C-CARBON R	RN72K1J-224JE	1	435032244R1
R4231	C-CARBON R	RN72K1J-221JE	1	435032214R1

R4232	C-CARBON R	RN72K1J-221JE	1	435032214R1
R4233	C-CARBON R	RN72K1J-101JE	1	435031014R1
R4234	C-CARBON R	RN72K1J-101JE	1	435031014R1
R4235	C-CARBON R	RN72K1J-100JE	1	435031004R1
R4236	C-CARBON R	RN72K1J-100JE	1	435031004R1
R4237	C-CARBON R	RN72K1J-224JE	1	435032244R1
R4238	C-CARBON R	RN72K1J-224JE	1	435032244R1
R4239	C-CARBON R	RN72K1J-470JE	1	435034704R1
R4240	C-CARBON R	RN72K1J-470JE	1	435034704R1
R4241	C-CARBON R	RN72K1J-224JE	1	435032244R1
R4242	C-CARBON R	RN72K1J-224JE	1	435032244R1
R4243	C-CARBON R	RN72K1J-221JE	1	435032214R1
R4244	C-CARBON R	RN72K1J-221JE	1	435032214R1
R4245	C-CARBON R	RN72K1J-101JE	1	435031014R1
R4246	C-CARBON R	RN72K1J-101JE	1	435031014R1
R4247	C-CARBON R	RN72K1J-100JE	1	435031004R1
R4248	C-CARBON R	RN72K1J-100JE	1	435031004R1
R4249	C-CARBON R	RN72K1J-224JE	1	435032244R1
R4250	C-CARBON R	RN72K1J-224JE	1	435032244R1
R4251	C-CARBON R	RN72K1J-470JE	1	435034704R1
R4252	C-CARBON R	RN72K1J-470JE	1	435034704R1
R4257	C-CARBON R	RN72K1J-224JE	1	435032244R1
R4258	C-CARBON R	RN72K1J-224JE	1	435032244R1
R4301	METAL O R	RS1/2WBJ-22	1	443522204T
R4302	METAL O R	RS1/2WBJ-22	1	443522204T
R4303	C-CARBON R	RN72K1J-560JE	1	435035604R1
R4304	C-CARBON R	RN72K1J-560JE	1	435035604R1
R4305	C-CARBON R	RN72K1J-152JE	1	435031524R1
R4306	C-CARBON R	RN72K1J-152JE	1	435031524R1
R4307	C-CARBON R	RN72K1J-123JE	1	435031234R1
R4308	C-CARBON R	RN72K1J-123JE	1	435031234R1
R4309	C-CARBON R	RN72K1J-222JE	1	435032224R1
R4310	C-CARBON R	RN72K1J-222JE	1	435032224R1
R4311	C-CARBON R	RN72K1J-123JE	1	435031234R1
R4312	C-CARBON R	RN72K1J-123JE	1	435031234R1
R4313	C-CARBON R	RN72K1J-222JE	1	435032224R1
R4314	C-CARBON R	RN72K1J-222JE	1	435032224R1
R4315	C-CARBON R	RN72K1J-103JE	1	435031034R1
R4316	C-CARBON R	RN72K1J-103JE	1	435031034R1
R4319	C-CARBON R	RN72K1J-103JE	1	435031034R1
R4320	C-CARBON R	RN72K1J-103JE	1	435031034R1
R4321	C-CARBON R	RN72K1J-103JE	1	435031034R1
R4322	C-CARBON R	RN72K1J-103JE	1	435031034R1
R4323	C-CARBON R	RN72K1J-103JE	1	435031034R1
R4324	C-CARBON R	RN72K1J-103JE	1	435031034R1
R4327	C-CARBON R	RN72K1J-103JE	1	435031034R1
R4328	C-CARBON R	RN72K1J-103JE	1	435031034R1
R4329	C-CARBON R	RN72K1J-224JE	1	435032244R1
R4330	C-CARBON R	RN72K1J-224JE	1	435032244R1
R4331	C-CARBON R	RN72K1J-103JE	1	435031034R1
R4332	C-CARBON R	RN72K1J-103JE	1	435031034R1
R4335	C-CARBON R	RN72K1J-103JE	1	435031034R1
R4336	C-CARBON R	RN72K1J-103JE	1	435031034R1
R4337	C-CARBON R	RN72K1J-103JE	1	435031034R1
R4338	C-CARBON R	RN72K1J-103JE	1	435031034R1
R4339	C-CARBON R	RN72K1J-103JE	1	435031034R1
R4340	C-CARBON R	RN72K1J-103JE	1	435031034R1
R4341	C-CARBON R	RN72K1J-103JE	1	435031034R1
R4342	C-CARBON R	RN72K1J-103JE	1	435031034R1
R4343	C-CARBON R	RN72K1J-103JE	1	435031034R1
R4344	C-CARBON R	RN72K1J-103JE	1	435031034R1
R4345	C-CARBON R	RN72K1J-103JE	1	435031034R1
R4347	C-CARBON R	RN72K1J-224JE	1	435032244R1
R4348	C-CARBON R	RN72K1J-224JE	1	435032244R1
R4401	METAL O R	RS1/2WBJ-22	1	442522204F
R4402	METAL O R	RS1/2WBJ-22	1	442522204F
R4403	C-CARBON R	RN72K1J-222JE	1	435032224R1
R4404	C-CARBON R	RN72K1J-222JE	1	435032224R1

R4405	C-CARBON R	RN72K1J-331JE	1	435033314R1
R4406	C-CARBON R	RN72K1J-331JE	1	435033314R1
R4407	METAL O R	RS1/2WBJ-1.2K	1	443521224T
R4408	C-CARBON R	RN72K1J-331JE	1	435033314R1
R4409	C-CARBON R	RN72K1J-222JE	1	435032224R1
R4410	C-CARBON R	RN72K1J-331JE	1	435033314R1
R4411	C-CARBON R	RN72K1J-331JE	1	435033314R1
R4412	C-CARBON R	RN72K1J-222JE	1	435032224R1
R4413	C-CARBON R	RN72K1J-224JE	1	435032244R1
R4414	C-CARBON R	RN72K1J-224JE	1	435032244R1
R4415	C-CARBON R	RN72K1J-224JE	1	435032244R1
R4416	C-CARBON R	RN72K1J-222JE	1	435032224R1
R4417	C-CARBON R	RN72K1J-182JE	1	435031824R1
R4418	C-CARBON R	RN72K1J-183JE	1	435031834R1
R4419	METAL O R	RS1/2WBJ-22	1	443522204T
R4420	METAL O R	RS1/2WBJ-22	1	443522204T
R4421	C-CARBON R	RN72K1J-182JE	1	435031824R1
R4422	C-CARBON R	RN72K1J-182JE	1	435031824R1
R4501	C-CARBON R	RN72K1J-182JE	1	435031824R1
R4502	C-CARBON R	RN72K1J-182JE	1	435031824R1
R4503	C-CARBON R	RN72K1J-473JE	1	435034734R1
R4504	C-CARBON R	RN72K1J-473JE	1	435034734R1
R4505	C-CARBON R	RN72K1J-223JE	1	435032234R1
R4506	C-CARBON R	RN72K1J-223JE	1	435032234R1
R4507	C-CARBON R	RN72K1J-563JE	1	435035634R1
R4508	C-CARBON R	RN72K1J-563JE	1	435035634R1
R4509	C-CARBON R	RN72K1J-272JE	1	435032724R1
R4510	C-CARBON R	RN72K1J-272JE	1	435032724R1
R4511	C-CARBON R	RN72K1J-272JE	1	435032724R1
R4512	C-CARBON R	RN72K1J-272JE	1	435032724R1
R4513	METAL O R	RS1/2WBJ-47	1	443524704T
R4514	METAL O R	RS1/2WBJ-47	1	443524704T
R4515	METAL O R	RS1/2WBJ-47	1	443524704T
R4516	METAL O R	RS1/2WBJ-47	1	443524704T
R4517	C-CARBON R	RN72K1J-182JE	1	435031824R1
R4518	C-CARBON R	RN72K1J-104JE	1	435031044R1
R4519	C-CARBON R	RN72K1J-390JE	1	435033904R1
R4600	C-CARBON R	RN72K1J-331JE	1	435033314R1
R4601	C-CARBON R	RN72K1J-331JE	1	435033314R1
R4602	C-CARBON R	RN72K1J-331JE	1	435033314R1
R4603	C-CARBON R	RN72K1J-331JE	1	435033314R1
R4604	C-CARBON R	RN72K1J-331JE	1	435033314R1
R4605	C-CARBON R	RN72K1J-331JE	1	435033314R1
R4606	C-CARBON R	RN72K1J-331JE	1	435033314R1
R4607	C-CARBON R	RN72K1J-331JE	1	435033314R1
R4610	C-CARBON R	RN72K1J-563JE	1	435035634R1
R4611	C-CARBON R	RN72K1J-563JE	1	435035634R1
R4612	C-CARBON R	RN72K1J-563JE	1	435035634R1
R4613	C-CARBON R	RN72K1J-563JE	1	435035634R1
R4614	C-CARBON R	RN72K1J-563JE	1	435035634R1
R4615	C-CARBON R	RN72K1J-563JE	1	435035634R1
R4616	C-CARBON R	RN72K1J-563JE	1	435035634R1
R4617	C-CARBON R	RN72K1J-563JE	1	435035634R1
R4620	C-CARBON R	RN72K1J-224JE	1	435032244R1
R4621	C-CARBON R	RN72K1J-224JE	1	435032244R1
R4622	C-CARBON R	RN72K1J-224JE	1	435032244R1
R4623	C-CARBON R	RN72K1J-224JE	1	435032244R1
R4624	C-CARBON R	RN72K1J-224JE	1	435032244R1
R4625	C-CARBON R	RN72K1J-224JE	1	435032244R1
R4626	C-CARBON R	RN72K1J-224JE	1	435032244R1
R4627	C-CARBON R	RN72K1J-224JE	1	435032244R1
R4632	C-CARBON R	RN72K1J-224JE	1	435032244R1
R4633	C-CARBON R	RN72K1J-224JE	1	435032244R1
R4634	C-CARBON R	RN72K1J-224JE	1	435032244R1
R4635	C-CARBON R	RN72K1J-224JE	1	435032244R1
R4636	C-CARBON R	RN72K1J-224JE	1	435032244R1
R4637	C-CARBON R	RN72K1J-224JE	1	435032244R1
R4640	C-CARBON R	RN72K1J-224JE	1	435032244R1

R4641	C-CARBON R	RN72K1J-224JE	1	435032244R1
R4642	C-CARBON R	RN72K1J-224JE	1	435032244R1
R4643	C-CARBON R	RN72K1J-223JE	1	435032234R1
R4644	C-CARBON R	RN72K1J-224JE	1	435032244R1
R4645	C-CARBON R	RN72K1J-224JE	1	435032244R1
R4646	C-CARBON R	RN72K1J-224JE	1	435032244R1
R4647	C-CARBON R	RN72K1J-224JE	1	435032244R1
R4650	C-CARBON R	RN72K1J-221JE	1	435032214R1
R4651	C-CARBON R	RN72K1J-221JE	1	435032214R1
R4652	C-CARBON R	RN72K1J-221JE	1	435032214R1
R4653	C-CARBON R	RN72K1J-221JE	1	435032214R1
R4654	C-CARBON R	RN72K1J-221JE	1	435032214R1
R4655	C-CARBON R	RN72K1J-221JE	1	435032214R1
R4656	C-CARBON R	RN72K1J-221JE	1	435032214R1
R4657	C-CARBON R	RN72K1J-221JE	1	435032214R1
R4660	C-CARBON R	RN72K1J-101JE	1	435031014R1
R4661	C-CARBON R	RN72K1J-101JE	1	435031014R1
R4662	C-CARBON R	RN72K1J-101JE	1	435031014R1
R4663	C-CARBON R	RN72K1J-101JE	1	435031014R1
R4664	C-CARBON R	RN72K1J-101JE	1	435031014R1
R4665	C-CARBON R	RN72K1J-101JE	1	435031014R1
R4666	C-CARBON R	RN72K1J-101JE	1	435031014R1
R4667	C-CARBON R	RN72K1J-101JE	1	435031014R1
R4670	C-CARBON R	RN72K1J-100JE	1	435031004R1
R4671	C-CARBON R	RN72K1J-100JE	1	435031004R1
R4672	C-CARBON R	RN72K1J-100JE	1	435031004R1
R4673	C-CARBON R	RN72K1J-100JE	1	435031004R1
R4674	C-CARBON R	RN72K1J-100JE	1	435031004R1
R4675	C-CARBON R	RN72K1J-100JE	1	435031004R1
R4676	C-CARBON R	RN72K1J-100JE	1	435031004R1
R4677	C-CARBON R	RN72K1J-100JE	1	435031004R1
R4680	C-CARBON R	RN72K1J-224JE	1	435032244R1
R4681	C-CARBON R	RN72K1J-224JE	1	435032244R1
R4682	C-CARBON R	RN72K1J-224JE	1	435032244R1
R4683	C-CARBON R	RN72K1J-224JE	1	435032244R1
R4684	C-CARBON R	RN72K1J-224JE	1	435032244R1
R4685	C-CARBON R	RN72K1J-224JE	1	435032244R1
R4686	C-CARBON R	RN72K1J-224JE	1	435032244R1
R4687	C-CARBON R	RN72K1J-224JE	1	435032244R1
R4690	C-CARBON R	RN72K1J-470JE	1	435034704R1
R4691	C-CARBON R	RN72K1J-470JE	1	435034704R1
R4692	C-CARBON R	RN72K1J-470JE	1	435034704R1
R4693	C-CARBON R	RN72K1J-470JE	1	435034704R1
R4694	C-CARBON R	RN72K1J-470JE	1	435034704R1
R4695	C-CARBON R	RN72K1J-470JE	1	435034704R1
R4696	C-CARBON R	RN72K1J-470JE	1	435034704R1
R4697	C-CARBON R	RN72K1J-470JE	1	435034704R1
RL4401	RELAY	NRL-2P2A-DC12-178	1	25065664
RL4402	RELAY	NRL-2P2A-DC12-178	1	25065664
RL4403	RELAY	NRL-2P2A-DC12-178	1	25065664
RL4404	RELAY	NRL-2P2A-DC12-178	1	25065664
RL4501	RELAY	NRL-2P5A-DC12-187	1	25065685
F2501A	FUSE HOL	NSCT-1P2031	1	25052133T
F2501B	FUSE HOL	NSCT-1P2031	1	25052133T
F2502A	FUSE HOL	NSCT-1P2031	1	25052133T
F2502B	FUSE HOL	NSCT-1P2031	1	25052133T
J4001	JMP WIRE	TA075	1	78003
J4002	JMP WIRE	TA075	1	78003
J4003	JMP WIRE	TA075	1	78003
J4004	JMP WIRE	TA075	1	78003
J4005	JMP WIRE	TA075	1	78003
J4006	JMP WIRE	TA075	1	78003
J4007	JMP WIRE	TA075	1	78003
JL2601B	WIRE TRAP	NPLG-3P586	1	25055624
JL4013B	SOCKET	NSCT-5P97	1	25050269
JL4014B	SOCKET	NSCT-6P98	1	25050270
JL4015A	WIRE HOL	NSCT-4P895	1	25051108
JL8002A	WIRE HOL	NSCT-5P876	1	25051089

JL901B	WIRE TRAP	NPLG-7P590	1	25055628	
P2001	PIN JACK	NPJ-10PDSY628	1	25045849	
P2001 or	PIN JACK	NPJ-10PDBY481	(1)	25045684	
P2002	PIN JACK	NPJ-10PDSY628	1	25045849	
P2002 or	PIN JACK	NPJ-10PDBY481	(1)	25045684	
P2003	PIN JACK	NPJ-10PDSY628	1	25045849	
P2003 or	PIN JACK	NPJ-10PDBY481	(1)	25045684	
P2004	PIN JACK	NPJ-5PDSY629	1	25045850	
P2004 or	PIN JACK	NPJ-5PDBY482	(1)	25045685	
P2005	PIN JACK	NPJ-1PDY655	1	25045882	
P2010A	PLUG	IMSA-9142B-24A	1	25056602	
P2201	PIN JACK	NPJ-6PDGLR649	1	25045874	
P2202	PIN JACK	NPJ-9PDGLR630	1	25045851	
P2202 or	PIN JACK	NPJ-9PDGLR520	(1)	25045732	
P2502	PLUG	NPLG-3P117	1	25055133	
P2602	ST JACK	HSJ1002-01-6020	1	25045647	
P2603	ST JACK	HSJ1002-01-6020	1	25045647	
P2604	ST JACK	HSJ1002-01-6020	1	25045647	
P2605	TRM(SCREW)	NEJITANSI M3	1	25065425	
P2801A	SOCKET	NSCT-31P2124	1	25052227	
P2991	RETAINER	(JOINT)	1	27142069	
P4001	PIN JACK	NPJ-2PDWR583	1	25045803	
P4001 or	PIN JACK	NPJ-2PDBL249	(1)	25045424	
P4003	PIN JACK	NPJ-6PDRW665	1	25045894	
P4003 or	PIN JACK	NPJ-6PDBL380	(1)	25045565	
P4004	PIN JACK	NPJ-6PDRW665	1	25045894	
P4004 or	PIN JACK	NPJ-6PDBL380	(1)	25045565	
P4005	PIN JACK	NPJ-6PDRW665	1	25045894	
P4005 or	PIN JACK	NPJ-6PDBL380	(1)	25045565	
P4006	PIN JACK	NPJ-4PDGPRW659	1	25045888	
P4006 or	PIN JACK	NPJ-4PDGPRW503	(1)	25045708	
P4007	PIN JACK	NPJ-4PDELNT660	1	25045889	
P4007 or	PIN JACK	NPJ-4PDELNT505	(1)	25045710	
P4008	PIN JACK	NPJ-6PDPWR654	1	25045881	
P4009	PIN JACK	NPJ-4PDGPRW659	1	25045888	
P4009 or	PIN JACK	NPJ-4PDGPRW503	(1)	25045708	
P4010	PIN JACK	NPJ-4PDELNT660	1	25045889	
P4010 or	PIN JACK	NPJ-4PDELNT505	(1)	25045710	
P4020A	PLUG	IMSA-9142B-26A	1	25056603	
P4021A	PLUG	IMSA-9142B-26A	1	25056603	
P4030A	PLUG	NPLG-9P661	1	25055705	
P4030B	SOCKET	NSCT-9P1024	1	25051234	
P4032A	PLUG	NPLG-8P660	1	25055704	
P4033A	PLUG	NPLG-13P665	1	25055709	
P4100	SOCKET	9210B-1-08Z140-PT1	1	25053243	
P4101	SOCKET	9210B-1-08Z140-PT1	1	25053243	
P4201	TRM(SCREW)	NEJITANSI M3	1	25065425	
P4202	TRM	NTM-1P233(M1969)	1	25060302	
P5000	PLUG	NPLG-13P360	1	25055377	
P5001B	CRIMP AS	CRIMP SR805_2	1	20799170UL	
P5112	SOCKET AS	NSAS-4P1696	1	200B3190420UL	

U06 POWER SUPPLY PC BOARD (NAASP-9057-2A/2B)**U07 INLET PC BOARD (NAASP-9058-2A/2B)**

REF. NO.	PART NAME	DESCRIPTION	Q'TY	PART NO. (SN)	REMARKS
Q9101	TR	2SC1815-GR	1	2211255T	
Q9200	TR	2SC1815-GR	1	2211255T	
D9000	DIODE	1SS133	1	223163T	
D9001	DIODE	1SS133	1	223163T	
D9002	DIODE	1SS133	1	223163T	
D9003	DIODE	1SS133	1	223163T	
D9004	DIODE	RL1N4003	1	22380260T	
D9004 or	DIODE	GP104003E	(1)	22380035T	
D9005	DIODE	1SS133	1	223163T	
D9006	DIODE	1SS133	1	223163T	
D9007	ZENER D	MTZJ5.1B	1	224470512T	
D9008	DIODE	1SS133	1	223163T	

D9009	DIODE	ISS133	1	223163T	
D9101	DIODE	ISS133	1	223163T	
D9200	DIODE	ISS133	1	223163T	
T9000	P TRANS	NPT-1520JQ	1	2301812	!, <DD>
T9000	P TRANS	NPT-1520GQ	1	2301813	!, <MA>
C9000	TF C	ECQ-B50V-223J	1	374722234T	
C9001	VR C	CE04W25V-2200M(VR)	1	394652227S	<DD>
C9001	VR C	CE04W16V-2200M(VR)	1	394642227S	<MA>
C9002	UTSP C	CE04W50V-4.7M(UTSP)	1	397580477T	
C9008	UTSP C	CE04W25V-100M(UTSP)	1	397551017T	
C9116	TF C	ECQ-B50V-103J	1	374721034T	
C9119	TF C	ECQ-B50V-223J	1	374722234T	
C9201	TF C	ECQ-B50V-103J	1	374721034T	
R9005	CARBON R	R16J-27	1	417342704T	
R9107	CARBON R	R16J-1K	1	417341024T	
R9108	CARBON R	R16J-100K	1	417341044T	
R9109	CARBON R	R16J-180	1	417341814T	
R9200	CARBON R	R16J-1K	1	417341024T	
R9201	CARBON R	R16J-100K	1	417341044T	
R9202	CARBON R	R16J-100	1	417341014T	
RL9101	RELAY	NRL-1P5A-DC9-179	1	25065669	
RL9200	RELAY	NRL-1P5A-DC9-179	1	25065669	
E9000	TRM(SCREW)	NEJITANSI M3	1	25065425	<MA>
E9100	TRM(SCREW)	NEJITANSI M3	1	25065425	
F9000A	FUSE HOL	NSCT-1P2031	1	25052133T	<DD>
F9000B	FUSE HOL	NSCT-1P2031	1	25052133T	<DD>
JL901A	WIRE HOL	NSCT-7P878	1	25051091	
P9000	AC INLET	NPLG-2P913	1	25055960	
P9001	AC OUTLET	AC-181-UL-11V	1	25053030	<DD>
P9006C	CRIMP AS	CRIMP AS	1	206CC45159UL	
P9007C	CRIMP AS	CRIMP AS	1	206CC45150UL	
P9100	PLUG	NPLG-2P632	1	25055676	
P9200	PLUG	NPLG-2P632	1	25055676	
P9300	PLUG	NPLG-2P632	1	25055676	

U08 DSP PC BOARD (NADSP-9072-1A)

REF. NO.	PART NAME	DESCRIPTION	Q'TY	PART NO. (SN)	REMARKS
Q3301	IC	TC74VHC157FT	1	22274157ER2TO	
Q3311	IC	TC74VHC157FT	1	22274157ER2TO	
Q3325	IC	TC74VHC157FT	1	22274157ER2TO	
Q3331	IC	TC74VHC157FT	1	22274157ER2TO	
Q3351	IC	TC74VHC157FT	1	22274157ER2TO	
Q3371	IC	TC74VHC157FT	1	22274157ER2TO	
Q3391	IC	TC74VHCT08AFT(EKJ)	1	22274008G1R2TO	
Q3391 or	IC	TC74VHCT08AFT	(1)	22274008GR2TO	
Q3401	IC	D710E001BZDH275	1	22242409R3	
Q3451	IC	ES29LV160ET-70TG	1	222W0069R3	
Q3451 or	IC	S29AL016D70TFI010	(1)	222W0063R3	
Q3461	IC	RMS116T(LF)	1	22242340R3	
Q3461 or	IC	M12L16161A-7TG	(1)	22242278R3	
Q3461 or	IC	IC42S16100	(1)	22242123R2	
Q3461 or	IC	IC42S16100	(1)	22242123R3	
Q3471	IC	RMS116T(LF)	1	22242340R3	
Q3471 or	IC	M12L16161A-7TG	(1)	22242278R3	
Q3471 or	IC	IC42S16100	(1)	22242123R2	
Q3471 or	IC	IC42S16100	(1)	22242123R3	
Q3481	IC	TC7WU04FU(TE12L_F)	1	22240935R2	
Q3491	IC	TC74VHC541FT	1	22274541ER2TO	
Q3491 or	IC	TC74VHC541FT(EKJ)	(1)	22274541E1R2TO	
Q3501	IC	D708E001BRFP266	1	22242402R3	
Q3551	IC	ES29LV400ET-70TG	1	222W0065R3	
Q3551 or	IC	S29AL004D70TFI010	(1)	222W0061R3	
Q3561	IC	RMS116T(LF)	1	22242340R3	
Q3561 or	IC	M12L16161A-7TG	(1)	22242278R3	
Q3561 or	IC	IC42S16100	(1)	22242123R2	
Q3561 or	IC	IC42S16100	(1)	22242123R3	
Q3571	IC	TC7WU04FU(TE12L_F)	1	22240935R2	

Q3601	IC	D707E001BRFP250	1	22242401R3
Q3651	IC	ES29LV800ET-70TG	1	222W0068R3
Q3651 or	IC	S29AL008D70TFI010	(1)	222W0062R3
Q3661	IC	IS42S16400D-7TL	1	22241910R3
Q3661 or	IC	M12L64164A-7TG	(1)	22242441R3
Q3661 or	IC	K4S641632K-UC60	(1)	22242462R2
Q7202	IC	BD7820	1	22242300R2
Q7222	IC	BD7820	1	22242300R2
Q7223	IC	BD7820	1	22242300R2
D7205	C-DIODE	1SS352	1	223234R2
D7205 or	C-DIODE	1SS355	(1)	223269R2
D7225	C-DIODE	1SS352	1	223234R2
D7225 or	C-DIODE	1SS355	(1)	223269R2
D7226	C-DIODE	1SS352	1	223234R2
D7226 or	C-DIODE	1SS355	(1)	223269R2
L3301	CHOKE COIL	LBC2518T470M	1	231364M470R2
L3311	EMIFIL	BK1608HS102-T	1	230955R2
L3312	EMIFIL	BK1608LM182-T	1	230958R1
L3371	EMIFIL	BK1608LM182-T	1	230958R1
L3372	EMIFIL	BK1608HS102-T	1	230955R2
L3401	EMIFIL	ACF451832-333-T	1	230978R2
L3402	CHOKE COIL	BLM21PG221SN1	1	230949R2
L3403	CHOKE COIL	LBC2518T4R7M	1	231364M047R2
L3451	CHOKE COIL	BLM21PG221SN1	1	230949R2
L3481	EMIFIL	BK1608LM182-T	1	230958R1
L3482	EMIFIL	BK1608LM182-T	1	230958R1
L3483	CHOKE COIL	LBC2518T470M	1	231364M470R2
L3491	CHOKE COIL	LBC2518T470M	1	231364M470R2
L3501	EMIFIL	ACF451832-333-T	1	230978R2
L3541	CHOKE COIL	LBC2518T4R7M	1	231364M047R2
L3542	CHOKE COIL	BLM21PG221SN1	1	230949R2
L3551	CHOKE COIL	BLM21PG221SN1	1	230949R2
L3571	CHOKE COIL	LBC2518T470M	1	231364M470R2
L3572	EMIFIL	BK1608LM182-T	1	230958R1
L3601	EMIFIL	ACF451832-333-T	1	230978R2
L3602	EMIFIL	BK1608LL241-T	1	230959R1
L3603	EMIFIL	BK1608HS102-T	1	230955R2
L3641	CHOKE COIL	LBC2518T4R7M	1	231364M047R2
L3642	CHOKE COIL	BLM21PG221SN1	1	230949R2
L3651	CHOKE COIL	BLM21PG221SN1	1	230949R2
X3481	CRYSTAL	HC-49USSMD25.00MHz	1	3010444R2
X3571	CRYSTAL	HC-49USSMD17.734MHz	1	3010442R2
C3301	C-CERA C	CK725F1E-104Z1	1	332161040R1
C3302	CHIP ELECT C	CEWX4V-100M	1	3981G1017R2
C3311	C-CERA C	CK725F1E-104Z1	1	332161040R1
C3315	C-CERA C	CK725F1E-104Z1	1	332161040R1
C3325	C-CERA C	CK725F1E-104Z1	1	332161040R1
C3331	C-CERA C	CK725F1E-104Z1	1	332161040R1
C3351	C-CERA C	CK725F1E-104Z1	1	332161040R1
C3371	C-CERA C	CK725F1E-104Z1	1	332161040R1
C3391	C-CERA C	CK725F1E-104Z1	1	332161040R1
C3401	C-CERA C	CC725CH1H-101J1	1	342101014R1
C3402	CHIP ELECT C	CEWX4V-100M	1	3981G1017R2
C3403	C-CERA C	CK725F1E-104Z1	1	332161040R1
C3405	CHIP ELECT C	CEWX4V-220M	1	3981G2217R2
C3411	C-CERA C	CK725F1E-104Z1	1	332161040R1
C3412	C-CERA C	CK725F1E-104Z1	1	332161040R1
C3413	C-CERA C	CK725F1E-104Z1	1	332161040R1
C3414	C-CERA C	CK725F1E-104Z1	1	332161040R1
C3415	C-CERA C	CK725F1E-104Z1	1	332161040R1
C3416	C-CERA C	CK725F1E-104Z1	1	332161040R1
C3417	C-CERA C	CK725F1E-104Z1	1	332161040R1
C3418	C-CERA C	CK725F1E-104Z1	1	332161040R1
C3419	C-CERA C	CK725F1E-104Z1	1	332161040R1
C3420	C-CERA C	CK725F1E-104Z1	1	332161040R1
C3421	C-CERA C	CK725F1E-104Z1	1	332161040R1
C3425	C-CERA C	CK725F1E-104Z1	1	332161040R1
C3426	C-CERA C	CK725F1E-104Z1	1	332161040R1

C3427	C-CERA C	CK725F1E-104Z1	1	332161040R1
C3428	C-CERA C	CK725F1E-104Z1	1	332161040R1
C3429	C-CERA C	CK725F1E-104Z1	1	332161040R1
C3430	C-CERA C	CK725F1E-104Z1	1	332161040R1
C3431	C-CERA C	CK725F1E-104Z1	1	332161040R1
C3432	C-CERA C	CK725F1E-104Z1	1	332161040R1
C3433	C-CERA C	CK725F1E-104Z1	1	332161040R1
C3434	C-CERA C	CK725F1E-104Z1	1	332161040R1
C3435	C-CERA C	CK725F1E-104Z1	1	332161040R1
C3451	C-CERA C	CC725CH1H-101J1	1	342101014R1
C3452	C-CERA C	CK725F1E-104Z1	1	332161040R1
C3453	CHIP ELECT C	CEWX4V-220M	1	3981G2217R2
C3461	C-CERA C	CK725F1E-104Z1	1	332161040R1
C3462	C-CERA C	CK725F1E-104Z1	1	332161040R1
C3463	C-CERA C	CK725F1E-104Z1	1	332161040R1
C3464	C-CERA C	CK725F1E-104Z1	1	332161040R1
C3465	C-CERA C	CK725F1E-104Z1	1	332161040R1
C3466	C-CERA C	CK725F1E-104Z1	1	332161040R1
C3467	CHIP ELECT C	CEWX4V-220M	1	3981G2217R2
C3471	C-CERA C	CK725F1E-104Z1	1	332161040R1
C3472	C-CERA C	CK725F1E-104Z1	1	332161040R1
C3473	C-CERA C	CK725F1E-104Z1	1	332161040R1
C3474	C-CERA C	CK725F1E-104Z1	1	332161040R1
C3475	C-CERA C	CK725F1E-104Z1	1	332161040R1
C3476	C-CERA C	CK725F1E-104Z1	1	332161040R1
C3477	CHIP ELECT C	CEWX4V-220M	1	3981G2217R2
C3481	C-CERA C	CC725CH1H-090D1	1	342100902R1
C3482	C-CERA C	CC725CH1H-090D1	1	342100902R1
C3483	C-CERA C	CK725F1E-104Z1	1	332161040R1
C3484	CHIP ELECT C	CEWX4V-100M	1	3981G1017R2
C3491	C-CERA C	CK725F1E-104Z1	1	332161040R1
C3501	C-CERA C	CK725F1E-104Z1	1	332161040R1
C3502	C-CERA C	CK725F1E-104Z1	1	332161040R1
C3503	C-CERA C	CC725CH1H-101J1	1	342101014R1
C3504	C-CERA C	CK725F1E-104Z1	1	332161040R1
C3505	C-CERA C	CK725F1E-104Z1	1	332161040R1
C3506	C-CERA C	CK725F1E-104Z1	1	332161040R1
C3507	CHIP ELECT C	CEWX4V-220M	1	3981G2217R2
C3508	C-CERA C	CK725F1E-104Z1	1	332161040R1
C3509	C-CERA C	CK725F1E-104Z1	1	332161040R1
C3510	C-CERA C	CK725F1E-104Z1	1	332161040R1
C3511	C-CERA C	CK725F1E-104Z1	1	332161040R1
C3512	C-CERA C	CK725F1E-104Z1	1	332161040R1
C3513	C-CERA C	CK725F1E-104Z1	1	332161040R1
C3514	C-CERA C	CK725F1E-104Z1	1	332161040R1
C3515	C-CERA C	CK725F1E-104Z1	1	332161040R1
C3516	C-CERA C	CK725F1E-104Z1	1	332161040R1
C3517	C-CERA C	CK725F1E-104Z1	1	332161040R1
C3518	C-CERA C	CK725F1E-104Z1	1	332161040R1
C3519	C-CERA C	CK725F1E-104Z1	1	332161040R1
C3520	C-CERA C	CK725F1E-104Z1	1	332161040R1
C3521	C-CERA C	CK725F1E-104Z1	1	332161040R1
C3522	C-CERA C	CK725F1E-104Z1	1	332161040R1
C3523	C-CERA C	CK725F1E-104Z1	1	332161040R1
C3524	C-CERA C	CK725F1E-104Z1	1	332161040R1
C3525	C-CERA C	CK725F1E-104Z1	1	332161040R1
C3526	C-CERA C	CK725F1E-104Z1	1	332161040R1
C3527	C-CERA C	CK725F1E-104Z1	1	332161040R1
C3528	C-CERA C	CK725F1E-104Z1	1	332161040R1
C3529	C-CERA C	CK725F1E-104Z1	1	332161040R1
C3541	CHIP ELECT C	CEWX4V-220M	1	3981G2217R2
C3542	CHIP ELECT C	CEWX4V-220M	1	3981G2217R2
C3551	C-CERA C	CK725F1E-104Z1	1	332161040R1
C3552	C-CERA C	CC725CH1H-101J1	1	342101014R1
C3553	CHIP ELECT C	CEWX4V-220M	1	3981G2217R2
C3561	C-CERA C	CK725F1E-104Z1	1	332161040R1
C3562	C-CERA C	CK725F1E-104Z1	1	332161040R1
C3563	C-CERA C	CK725F1E-104Z1	1	332161040R1

C3564	C-CERA C	CK725F1E-104Z1	1	332161040R1
C3565	C-CERA C	CK725F1E-104Z1	1	332161040R1
C3566	C-CERA C	CK725F1E-104Z1	1	332161040R1
C3567	CHIP ELECT C	CEWX4V-220M	1	3981G2217R2
C3571	C-CERA C	CC725CH1H-120J1	1	342101204R1
C3572	C-CERA C	CC725CH1H-120J1	1	342101204R1
C3573	C-CERA C	CK725F1E-104Z1	1	332161040R1
C3574	CHIP ELECT C	CEWX4V-100M	1	3981G1017R2
C3601	C-CERA C	CK725F1E-104Z1	1	332161040R1
C3602	C-CERA C	CK725F1E-104Z1	1	332161040R1
C3603	C-CERA C	CC725CH1H-101J1	1	342101014R1
C3604	C-CERA C	CK725F1E-104Z1	1	332161040R1
C3605	C-CERA C	CK725F1E-104Z1	1	332161040R1
C3606	C-CERA C	CK725F1E-104Z1	1	332161040R1
C3607	CHIP ELECT C	CEWX4V-220M	1	3981G2217R2
C3608	C-CERA C	CK725F1E-104Z1	1	332161040R1
C3609	C-CERA C	CK725F1E-104Z1	1	332161040R1
C3610	C-CERA C	CK725F1E-104Z1	1	332161040R1
C3611	C-CERA C	CK725F1E-104Z1	1	332161040R1
C3612	C-CERA C	CK725F1E-104Z1	1	332161040R1
C3613	C-CERA C	CK725F1E-104Z1	1	332161040R1
C3614	C-CERA C	CK725F1E-104Z1	1	332161040R1
C3615	C-CERA C	CK725F1E-104Z1	1	332161040R1
C3616	C-CERA C	CK725F1E-104Z1	1	332161040R1
C3617	C-CERA C	CK725F1E-104Z1	1	332161040R1
C3618	C-CERA C	CK725F1E-104Z1	1	332161040R1
C3619	C-CERA C	CK725F1E-104Z1	1	332161040R1
C3620	C-CERA C	CK725F1E-104Z1	1	332161040R1
C3621	C-CERA C	CK725F1E-104Z1	1	332161040R1
C3622	C-CERA C	CK725F1E-104Z1	1	332161040R1
C3623	C-CERA C	CK725F1E-104Z1	1	332161040R1
C3624	C-CERA C	CK725F1E-104Z1	1	332161040R1
C3625	C-CERA C	CK725F1E-104Z1	1	332161040R1
C3626	C-CERA C	CK725F1E-104Z1	1	332161040R1
C3627	C-CERA C	CK725F1E-104Z1	1	332161040R1
C3628	C-CERA C	CK725F1E-104Z1	1	332161040R1
C3629	C-CERA C	CK725F1E-104Z1	1	332161040R1
C3641	CHIP ELECT C	CEWX4V-220M	1	3981G2217R2
C3642	CHIP ELECT C	CEWX4V-220M	1	3981G2217R2
C3651	C-CERA C	CK725F1E-104Z1	1	332161040R1
C3652	C-CERA C	CC725CH1H-101J1	1	342101014R1
C3653	CHIP ELECT C	CEWX4V-220M	1	3981G2217R2
C3661	C-CERA C	CK725F1E-104Z1	1	332161040R1
C3662	C-CERA C	CK725F1E-104Z1	1	332161040R1
C3663	C-CERA C	CK725F1E-104Z1	1	332161040R1
C3664	C-CERA C	CK725F1E-104Z1	1	332161040R1
C3665	C-CERA C	CK725F1E-104Z1	1	332161040R1
C3666	C-CERA C	CK725F1E-104Z1	1	332161040R1
C3667	C-CERA C	CK725F1E-104Z1	1	332161040R1
C3668	CHIP ELECT C	CEWX4V-220M	1	3981G2217R2
C7204	CHIP ELECT C	CEWX4V-100M	1	3981G1017R2
C7205	C-CERA C	CK725F1E-104Z1	1	332161040R1
C7206	CHIP ELECT C	CEWX4V-220M	1	3981G2217R2
C7224	CHIP ELECT C	CEWX4V-100M	1	3981G1017R2
C7225	C-CERA C	CK725F1E-104Z1	1	332161040R1
C7226	CHIP ELECT C	CEWX4V-100M	1	3981G1017R2
C7227	CHIP ELECT C	CEWX4V-100M	1	3981G1017R2
C7228	C-CERA C	CK725F1E-104Z1	1	332161040R1
C7229	CHIP ELECT C	CEWX4V-100M	1	3981G1017R2
R3301	C-CARBON R	RN72K1J-331JE	1	435033314R1
R3302	C-CARBON R	RN72K1J-331JE	1	435033314R1
R3303	C-CARBON R	RN72K1J-470JE	1	435034704R1
R3304	C-CARBON R	RN72K1J-470JE	1	435034704R1
R3305	C-CARBON R	RN72K1J-331JE	1	435033314R1
R3306	C-CARBON R	RN72K1J-470JE	1	435034704R1
R3307	C-CARBON R	RN72K1J-331JE	1	435033314R1
R3311	C-CARBON R	RN72K1J-331JE	1	435033314R1
R3312	C-CARBON R	RN72K1J-331JE	1	435033314R1

R3418	C-CARBON R	RN72K1J-331JE	1	435033314R1
R3419	C-CARBON R	RN72K1J-331JE	1	435033314R1
R3420	C-CARBON R	RN72K1J-331JE	1	435033314R1
R3421	C-CARBON R	RN72K1J-331JE	1	435033314R1
R3422	C-CARBON R	RN72K1J-331JE	1	435033314R1
R3423	C-CARBON R	RN72K1J-103JE	1	435031034R1
R3424	C-CARBON R	RN72K1J-331JE	1	435033314R1
R3425	C-CARBON R	RN72K1J-331JE	1	435033314R1
R3426	C-CARBON R	RN72K1J-331JE	1	435033314R1
R3427	C-CARBON R	RN72K1J-470JE	1	435034704R1
R3428	C-CARBON R	RN72K1J-470JE	1	435034704R1
R3429	C-CARBON R	RN72K1J-331JE	1	435033314R1
R3430	C-CARBON R	RN72K1J-103JE	1	435031034R1
R3431	C-CARBON R	RN72K1J-103JE	1	435031034R1
R3451	C-CARBON R	RN72K1J-103JE	1	435031034R1
R3452	C-CARBON R	RN72K1J-103JE	1	435031034R1
R3453	C-CARBON R	RN72K1J-103JE	1	435031034R1
R3454	C-CARBON R	RN72K1J-102JE	1	435031024R1
R3455	C-CARBON R	RN72K1J-103JE	1	435031034R1
R3456	C-CARBON R	RN72K1J-103JE	1	435031034R1
R3457	C-CARBON R	RN72K1J-103JE	1	435031034R1
R3482	C-CARBON R	RN72K1J-221JE	1	435032214R1
R3483	C-CARBON R	RN72K1J-105JE	1	435031054R1
R3491	C-CARBON R	RN72K1J-472JE	1	435034724R1
R3492	C-CARBON R	RN72K1J-472JE	1	435034724R1
R3493	C-CARBON R	RN72K1J-472JE	1	435034724R1
R3494	C-CARBON R	RN72K1J-472JE	1	435034724R1
R3495	C-CARBON R	RN72K1J-472JE	1	435034724R1
R3496	C-CARBON R	RN72K1J-103JE	1	435031034R1
R3501	C-CARBON R	RN72K1J-331JE	1	435033314R1
R3502	C-CARBON R	RN72K1J-102JE	1	435031024R1
R3503	C-CARBON R	RN72K1J-331JE	1	435033314R1
R3504	C-CARBON R	RN72K1J-470JE	1	435034704R1
R3505	C-CARBON R	RN72K1J-470JE	1	435034704R1
R3506	C-CARBON R	RN72K1J-222JE	1	435032224R1
R3507	C-CARBON R	RN72K1J-102JE	1	435031024R1
R3508	C-CARBON R	RN72K1J-102JE	1	435031024R1
R3509	C-CARBON R	RN72K1J-470JE	1	435034704R1
R3510	C-CARBON R	RN72K1J-470JE	1	435034704R1
R3511	C-CARBON R	RN72K1J-470JE	1	435034704R1
R3512	C-CARBON R	RN72K1J-470JE	1	435034704R1
R3513	C-CARBON R	RN72K1J-470JE	1	435034704R1
R3514	C-CARBON R	RN72K1J-103JE	1	435031034R1
R3515	C-CARBON R	RN72K1J-103JE	1	435031034R1
R3516	C-CARBON R	RN72K1J-103JE	1	435031034R1
R3517	C-CARBON R	RN72K1J-103JE	1	435031034R1
R3518	C-CARBON R	RN72K1J-103JE	1	435031034R1
R3519	C-CARBON R	RN72K1J-103JE	1	435031034R1
R3520	C-CARBON R	RN72K1J-103JE	1	435031034R1
R3521	C-CARBON R	RN72K1J-331JE	1	435033314R1
R3522	C-CARBON R	RN72K1J-331JE	1	435033314R1
R3523	C-CARBON R	RN72K1J-331JE	1	435033314R1
R3524	C-CARBON R	RN72K1J-331JE	1	435033314R1
R3525	C-CARBON R	RN72K1J-103JE	1	435031034R1
R3526	C-CARBON R	RN72K1J-331JE	1	435033314R1
R3527	C-CARBON R	RN72K1J-331JE	1	435033314R1
R3528	C-CARBON R	RN72K1J-470JE	1	435034704R1
R3529	C-CARBON R	RN72K1J-103JE	1	435031034R1
R3530	C-CARBON R	RN72K1J-470JE	1	435034704R1
R3551	C-CARBON R	RN72K1J-103JE	1	435031034R1
R3552	C-CARBON R	RN72K1J-103JE	1	435031034R1
R3553	C-CARBON R	RN72K1J-103JE	1	435031034R1
R3554	C-CARBON R	RN72K1J-102JE	1	435031024R1
R3557	C-CARBON R	RN72K1J-103JE	1	435031034R1
R3558	C-CARBON R	RN72K1J-103JE	1	435031034R1
R3571	C-CARBON R	RN72K1J-105JE	1	435031054R1
R3572	C-CARBON R	RN72K1J-221JE	1	435032214R1
R3601	C-CARBON R	RN72K1J-331JE	1	435033314R1

R3602	C-CARBON R	RN72K1J-102JE	1	435031024R1	
R3603	C-CARBON R	RN72K1J-331JE	1	435033314R1	
R3604	C-CARBON R	RN72K1J-470JE	1	435034704R1	
R3605	C-CARBON R	RN72K1J-470JE	1	435034704R1	
R3606	C-CARBON R	RN72K1J-222JE	1	435032224R1	
R3607	C-CARBON R	RN72K1J-102JE	1	435031024R1	
R3608	C-CARBON R	RN72K1J-102JE	1	435031024R1	
R3609	C-CARBON R	RN72K1J-470JE	1	435034704R1	
R3610	C-CARBON R	RN72K1J-470JE	1	435034704R1	
R3611	C-CARBON R	RN72K1J-470JE	1	435034704R1	
R3612	C-CARBON R	RN72K1J-470JE	1	435034704R1	
R3613	C-CARBON R	RN72K1J-470JE	1	435034704R1	
R3614	C-CARBON R	RN72K1J-470JE	1	435034704R1	
R3615	C-CARBON R	RN72K1J-103JE	1	435031034R1	
R3616	C-CARBON R	RN72K1J-103JE	1	435031034R1	
R3617	C-CARBON R	RN72K1J-331JE	1	435033314R1	
R3618	C-CARBON R	RN72K1J-103JE	1	435031034R1	
R3619	C-CARBON R	RN72K1J-103JE	1	435031034R1	
R3620	C-CARBON R	RN72K1J-103JE	1	435031034R1	
R3621	C-CARBON R	RN72K1J-331JE	1	435033314R1	
R3622	C-CARBON R	RN72K1J-331JE	1	435033314R1	
R3623	C-CARBON R	RN72K1J-331JE	1	435033314R1	
R3624	C-CARBON R	RN72K1J-331JE	1	435033314R1	
R3625	C-CARBON R	RN72K1J-103JE	1	435031034R1	
R3626	C-CARBON R	RN72K1J-331JE	1	435033314R1	
R3627	C-CARBON R	RN72K1J-331JE	1	435033314R1	
R3628	C-CARBON R	RN72K1J-470JE	1	435034704R1	
R3629	C-CARBON R	RN72K1J-103JE	1	435031034R1	
R3630	C-CARBON R	RN72K1J-470JE	1	435034704R1	
R3651	C-CARBON R	RN72K1J-103JE	1	435031034R1	
R3652	C-CARBON R	RN72K1J-103JE	1	435031034R1	
R3653	C-CARBON R	RN72K1J-103JE	1	435031034R1	
R3656	C-CARBON R	RN72K1J-102JE	1	435031024R1	
R3657	C-CARBON R	RN72K1J-103JE	1	435031034R1	
R3658	C-CARBON R	RN72K1J-103JE	1	435031034R1	
R3659	C-CARBON R	RN72K1J-103JE	1	435031034R1	
R7206	C-CARBON R	RN72K1J-273JE	1	435032734R1	
R7207	C-CARBON R	RN72K1J-273JE	1	435032734R1	
R7208	C-CARBON R	RN72K1J-393JE	1	435033934R1	
R7226	C-CARBON R	RN72K1J-273JE	1	435032734R1	
R7227	C-CARBON R	RN72K1J-273JE	1	435032734R1	
R7228	C-CARBON R	RN72K1J-393JE	1	435033934R1	
R7229	C-CARBON R	RN72K1J-273JE	1	435032734R1	
R7230	C-CARBON R	RN72K1J-273JE	1	435032734R1	
R7239	C-CARBON R	RN72K1J-393JE	1	435033934R1	
P3801B	SOCKET	IMSA-9856S-30B-T	1	25053236R2	
P3802B	SOCKET	IMSA-9856S-30B-T	1	25053236R2	
P3805A	PLUG	NPLG-10P662	1	25055706	

U09	DAC PC BOARD (NADG-9074-1K/1L
U10	MICROPROCESSOR PC BOARD (NAAR-9075-1K/1L
U12	XM PC BOARD (NARF-9077-1K)
U13	HOLDER PC BOARD (NAETC-9078-1K/1L
U14	E-CONTROL PC BOARD (NALAN-9079-1K/1L
U15	AMPLIFIER PC BOARD (NAASP-9080-1K/1L
U16	AMPLIFIER PC BOARD (NAETC-9073-1K/1L)

REF. NO.	PART NAME	DESCRIPTION	Q'TY	PART NO. (SN)	REMARKS
U3001	PHT CP	GP1FAV51RK0F	1	24120129	
U3002	PHT CP	GP1FAV51RK0F	1	24120129	
U3004	PHT CP	GP1FAV51TKBF	1	24120132	
Q1001	IC	PIC18F66J60	1	222W0072R3	
Q1002	IC	IS25C02-2GLI	1	222W0075R2	
Q1002 or	IC	BR25L020FJ-W	(1)	222W0076R2	
Q1003	IC	BA33BC0FP	1	22278033DR2RH	
Q101	IC	CS4344-CZZR	1	22242406R2	<DD>
Q102	IC	TA48033AF(TE16L_NQ)	1	22278033DR2TO	<DD>
Q102 or	IC	BA33BC0FP	(1)	22278033DR2RH	<DD>

Q103	IC	F2628E-01	1	22242436R2	<DD>
Q104	IC	TA48033AF(TE16L_NQ)	1	22278033DR2TO	<DD>
Q104 or	IC	BA33BC0FP	(1)	22278033DR2RH	<DD>
Q105	IC	NE5532APSR	1	22242283R2	<DD>
Q106	IC	NE5532APSR	1	22242283R2	<DD>
Q107	IC	TC74VHCT08AFT(EKJ)	1	22274008G1R2TO	<DD>
Q107 or	IC	TC74VHCT08AFT	(1)	22274008GR2TO	<DD>
Q3001	IC	TC74VHC157FT	1	22274157ER2TO	
Q3021	IC	74HCU04F	1	222740046R2	
Q3031	IC	ICL3221ECVZ	1	22242268R2	
Q3041	IC	CS42516-CQZ(R)-D	1	22242294R2	
Q3071	IC	TC7WU04FU(TE12L_F)	1	22240935R2	
Q3081	IC	NE5532APSR	1	22242283R2	
Q3082	IC	NE5532APSR	1	22242283R2	
Q3701	IC	PCM1796DBR	1	22242403R2	
Q3721	IC	PCM1796DBR	1	22242403R2	
Q3741	IC	PCM1796DBR	1	22242403R2	
Q3761	IC	PCM1796DBR	1	22242403R2	
Q3781	IC	PCM1796DBR	1	22242403R2	
Q3800	IC	NE5532APSR	1	22242283R2	
Q3801	IC	NE5532APSR	1	22242283R2	
Q3802	IC	NE5532APSR	1	22242283R2	
Q3803	IC	NE5532APSR	1	22242283R2	
Q3804	IC	NE5532APSR	1	22242283R2	
Q3805	IC	NE5532APSR	1	22242283R2	
Q3806	IC	NE5532APSR	1	22242283R2	
Q3807	IC	NE5532APSR	1	22242283R2	
Q3808	IC	NE5532APSR	1	22242283R2	
Q3809	IC	NE5532APSR	1	22242283R2	
Q3810	IC	NE5532APSR	1	22242283R2	
Q3811	IC	NE5532APSR	1	22242283R2	
Q3812	IC	NE5532APSR	1	22242283R2	
Q3813	IC	NE5532APSR	1	22242283R2	
Q3814	IC	NE5532APSR	1	22242283R2	
Q3820	IC	NE5532APSR	1	22242283R2	
Q3821	IC	NE5532APSR	1	22242283R2	
Q3822	IC	NE5532APSR	1	22242283R2	
Q3823	IC	NE5532APSR	1	22242283R2	
Q3824	IC	NE5532APSR	1	22242283R2	
Q3830	IC	NE5532APSR	1	22242283R2	
Q3831	IC	NE5532APSR	1	22242283R2	
Q3832	IC	NE5532APSR	1	22242283R2	
Q3833	IC	NE5532APSR	1	22242283R2	
Q3834	IC	NE5532APSR	1	22242283R2	
Q3840	IC	NE5532APSR	1	22242283R2	
Q3841	IC	NE5532APSR	1	22242283R2	
Q3842	IC	NE5532APSR	1	22242283R2	
Q3843	IC	NE5532APSR	1	22242283R2	
Q3844	IC	NE5532APSR	1	22242283R2	
Q4201	IC	NE5532APSR	1	22242283R2	
Q4202	IC	NE5532APSR	1	22242283R2	
Q4203	IC	NE5532APSR	1	22242283R2	
Q4204	IC	R2S15211FP	1	22242297R3	
Q4291	TR	2SC2235-Y(TPE6_F)	1	2211654T	
Q4292	TR	2SA965-Y(TPE6_F)	1	2211644T	
Q4720	IC	NE5532APSR	1	22242283R2	
Q4721	IC	NE5532APSR	1	22242283R2	
Q4722	IC	NE5532APSR	1	22242283R2	
Q4723	IC	NE5532APSR	1	22242283R2	
Q7001	IC	M3087BFK BGP	1	222W0059R3	
Q7002	TR	RN1404	1	2214490R2	
Q7002 or	TR	KRC104S	(1)	2216210R2	
Q7003	TR	DTA114YKA	1	2216480R2	
Q7003 or	TR	RN2407(TE85L_F)	(1)	2216360R2	
Q7003 or	TR	KRA107S	(1)	2216350R2	
Q7005	TR	DTC114EKA	1	2216250R2	
Q7005 or	TR	RN1402	(1)	2214470R2	
Q7005 or	TR	KRC102S	(1)	2216190R2	

Q7006	TR	DTA114YKA	1	2216480R2	
Q7006 or	TR	RN2407(TE85L_F)	(1)	2216360R2	
Q7006 or	TR	KRA107S	(1)	2216350R2	
Q7007	TR	DTC114EKA	1	2216250R2	
Q7007 or	TR	RN1402	(1)	2214470R2	
Q7007 or	TR	KRC102S	(1)	2216190R2	
Q7151	IC	TC74VHCT08AFT□EKJ)	1	22274008G1R2TO	
Q7151 or	IC	TC74VHCT08AFT	(1)	22274008GR2TO	
Q7155	IC	TC74VHCT08AFT□EKJ)	1	22274008G1R2TO	
Q7155 or	IC	TC74VHCT08AFT	(1)	22274008GR2TO	
Q7161	IC	TC74VHCT08AFT□EKJ)	1	22274008G1R2TO	
Q7161 or	IC	TC74VHCT08AFT	(1)	22274008GR2TO	
Q7165	IC	TC74VHCT08AFT□EKJ)	1	22274008G1R2TO	<DD>
Q7165 or	IC	TC74VHCT08AFT	(1)	22274008GR2TO	<DD>
Q7171	IC	TC74VHC238FT	1	22274238ER2TO	
Q7172	IC	74AHC138PW	1	22274138IR2PH	
Q7172 or	IC	TC74VHC138FT(EK2M	(1)	22274138ER2TO	
Q7181	IC	NJU7312AM	1	22242210R2	
Q7182	TR	2SC2712-GR	1	2213145R2	
Q7183	TR	RN1404	1	2214490R2	
Q7183 or	TR	KRC104S	(1)	2216210R2	
Q7184	TR	RN2402	1	2214530R2	
Q7184 or	TR	KRA102S	(1)	2216220R2	
Q7201	IC	SI8008TM	1	22242323R2	
Q7221	IC	SI8008TM	1	22242323R2	
Q7231	IC	SI8008TM	1	22242323R2	
Q7232	IC	BD7820	1	22242300R2	<DD>
Q7241	IC	TA4805AF(TE16L_NQ)	1	22278005DR2TO	
Q7241 or	IC	BA50BC0FP	(1)	22278005DR2RH	
Q7242	IC	TA48033AF(TE16L_NQ)	1	22278033DR2TO	
Q7242 or	IC	BA33BC0FP	(1)	22278033DR2RH	
Q7246	IC	TA48033AF(TE16L_NQ)	1	22278033DR2TO	
Q7246 or	IC	BA33BC0FP	(1)	22278033DR2RH	
Q7251	IC	TA4805AF(TE16L_NQ)	1	22278005DR2TO	
Q7261	IC	XC6202P502FR	1	22242331R2	
Q7262	IC	XC6213B332MR	1	22242277R2	
Q7341	TR	RN1404	1	2214490R2	<DD>
Q7341 or	TR	KRC104S	(1)	2216210R2	<DD>
Q7342	TR	RN2402	1	2214530R2	<DD>
Q7342 or	TR	KRA102S	(1)	2216220R2	<DD>
Q7351	TR	RN1404	1	2214490R2	
Q7351 or	TR	KRC104S	(1)	2216210R2	
Q7352	TR	RN2402	1	2214530R2	
Q7352 or	TR	KRA102S	(1)	2216220R2	
Q7355	TR	RN1404	1	2214490R2	
Q7355 or	TR	KRC104S	(1)	2216210R2	
Q7356	TR	RN2402	1	2214530R2	
Q7356 or	TR	KRA102S	(1)	2216220R2	
Q7361	TR	RN1404	1	2214490R2	
Q7361 or	TR	KRC104S	(1)	2216210R2	
Q7362	TR	RN2402	1	2214530R2	
Q7362 or	TR	KRA102S	(1)	2216220R2	
Q7365	TR	RN1404	1	2214490R2	
Q7365 or	TR	KRC104S	(1)	2216210R2	
Q7366	TR	RN2402	1	2214530R2	
Q7366 or	TR	KRA102S	(1)	2216220R2	
Q7368	TR	RN1404	1	2214490R2	
Q7368 or	TR	KRC104S	(1)	2216210R2	
Q7369	TR	RN2402	1	2214530R2	
Q7369 or	TR	KRA102S	(1)	2216220R2	
Q7381	IC	S-812C56AUA-C3K	1	22242207R2	
Q7385	IC	S-812C33AUA-C2N	1	22242222R2	
Q7391	IC	IS25C64A-2GLI	1	22242385R2	
Q7401	TR	DTC114EKA	1	2216250R2	
Q7401 or	TR	RN1402	(1)	2214470R2	
Q7401 or	TR	KRC102S	(1)	2216190R2	
D4291	ZENER D	UDZS7.5B	1	224550750R2	
D4292	ZENER D	UDZS7.5B	1	224550750R2	

D7001	C-DIODE	1SS352	1	223234R2	
D7001 or	C-DIODE	1SS355	(1)	223269R2	
D7002	C-DIODE	1SS352	1	223234R2	
D7002 or	C-DIODE	1SS355	(1)	223269R2	
D7003	C-DIODE	1SS352	1	223234R2	
D7003 or	C-DIODE	1SS355	(1)	223269R2	
D7064	C-DIODE	1SS352	1	223234R2	
D7064 or	C-DIODE	1SS355	(1)	223269R2	
D7181	ZENER D	UDZS9.1B	1	224550910R2	
D7201	C-DIODE	1SS352	1	223234R2	
D7201 or	C-DIODE	1SS355	(1)	223269R2	
D7202	C-DIODE	CRS09(TE85L_Q)	1	223274R2	
D7221	C-DIODE	1SS352	1	223234R2	
D7221 or	C-DIODE	1SS355	(1)	223269R2	
D7222	C-DIODE	CRS09(TE85L_Q)	1	223274R2	
D7231	C-DIODE	1SS352	1	223234R2	
D7231 or	C-DIODE	1SS355	(1)	223269R2	
D7232	C-DIODE	CRS09(TE85L_Q)	1	223274R2	
D7233	C-DIODE	1SS352	1	223234R2	<DD>
D7233 or	C-DIODE	1SS355	(1)	223269R2	<DD>
D7245	DIODE	RL1N4003	1	22380260T	
D7245 or	DIODE	GP104003E	(1)	22380035T	
D7246	DIODE	RL1N4003	1	22380260T	
D7246 or	DIODE	GP104003E	(1)	22380035T	
D7371	C-DIODE	1SS352	1	223234R2	
D7371 or	C-DIODE	1SS355	(1)	223269R2	
D7372	C-DIODE	1SS352	1	223234R2	
D7372 or	C-DIODE	1SS355	(1)	223269R2	
D7381	C-DIODE	1SS352	1	223234R2	
D7381 or	C-DIODE	1SS355	(1)	223269R2	
D7382	C-DIODE	1SS352	1	223234R2	
D7382 or	C-DIODE	1SS355	(1)	223269R2	
D7383	C-DIODE	1SS352	1	223234R2	
D7383 or	C-DIODE	1SS355	(1)	223269R2	
D7384	C-DIODE	1SS352	1	223234R2	
D7384 or	C-DIODE	1SS355	(1)	223269R2	
L1001	CHOKE COIL	BLM21PG221SN1	1	230949R2	
L1002	CHOKE COIL	BLM21PG221SN1	1	230949R2	
L101	EMIFIL	BK1608LM182-T	1	230958R1	<DD>
L102	CHOKE COIL	NCH-1471	1	231237K022R2	<DD>
L103	CHOKE COIL	BLM21PG221SN1	1	230949R2	<DD>
L104	CHOKE COIL	NCH-1471	1	231237K022R2	<DD>
L105	CHOKE COIL	BLM21PG221SN1	1	230949R2	<DD>
L106	CHOKE COIL	BLM21PG221SN1	1	230949R2	<DD>
L3001	CHOKE COIL	LBC2518T470M	1	231364M470R2	
L3002	CHOKE COIL	LBC2518T470M	1	231364M470R2	
L3011	CHOKE COIL	LBC2518T2R2M	1	231364M022R2	
L3012	CHOKE COIL	LBC2518T2R2M	1	231364M022R2	
L3013	CHOKE COIL	LBC2518T2R2M	1	231364M022R2	
L3021	CHOKE COIL	LBC2518T470M	1	231364M470R2	
L3031	CHOKE COIL	LBC2518T470M	1	231364M470R2	
L3041	CHOKE COIL	LBC2518T4R7M	1	231364M047R2	
L3042	CHOKE COIL	LBC2518T4R7M	1	231364M047R2	
L3043	CHOKE COIL	LBC2518T4R7M	1	231364M047R2	
L3044	CHOKE COIL	LBC2518T4R7M	1	231364M047R2	
L3045	EMIFIL	BK1608LM182-T	1	230958R1	
L3046	EMIFIL	BK1608HS102-T	1	230955R2	
L3071	CHOKE COIL	LBC2518T470M	1	231364M470R2	
L3072	EMIFIL	BK1608LM182-T	1	230958R1	
L3701	CHOKE COIL	LBC2518T4R7M	1	231364M047R2	
L3702	CHOKE COIL	LBC2518T4R7M	1	231364M047R2	
L3703	CHOKE COIL	LBC2518T4R7M	1	231364M047R2	
L3704	CHOKE COIL	LBC2518T4R7M	1	231364M047R2	
L3721	CHOKE COIL	LBC2518T4R7M	1	231364M047R2	
L3722	CHOKE COIL	LBC2518T4R7M	1	231364M047R2	
L3723	CHOKE COIL	LBC2518T4R7M	1	231364M047R2	
L3724	CHOKE COIL	LBC2518T4R7M	1	231364M047R2	
L3741	CHOKE COIL	LBC2518T4R7M	1	231364M047R2	

L3742	CHOKE COIL	LBC2518T4R7M	1	231364M047R2	
L3743	CHOKE COIL	LBC2518T4R7M	1	231364M047R2	
L3744	CHOKE COIL	LBC2518T4R7M	1	231364M047R2	
L3761	CHOKE COIL	LBC2518T4R7M	1	231364M047R2	
L3762	CHOKE COIL	LBC2518T4R7M	1	231364M047R2	
L3763	CHOKE COIL	LBC2518T4R7M	1	231364M047R2	
L3764	CHOKE COIL	LBC2518T4R7M	1	231364M047R2	
L3781	CHOKE COIL	LBC2518T4R7M	1	231364M047R2	
L3782	CHOKE COIL	LBC2518T4R7M	1	231364M047R2	
L3783	CHOKE COIL	LBC2518T4R7M	1	231364M047R2	
L3784	CHOKE COIL	LBC2518T4R7M	1	231364M047R2	
L7165	CHOKE COIL	LBC2518T4R7M	1	231364M047R2	
L7201	CHOKE COIL	NCH-2541	1	231363K470	
L7211	CHOKE COIL	NCH-2541	1	231363K470	
L7221	CHOKE COIL	NCH-2541	1	231363K470	
X1001	CRYSTAL	HC-49USSMD25.00MHz	1	3010444R2	
X101	CRYSTAL	DSX840GA 45.1584MHz	1	3010420R2	<DD>
X101 or	CRYSTAL	FCX-02N 45.1584MHz	(1)	3010421R2	<DD>
X3071	CRYSTAL	HC-49US24.576MHz	1	3010423T	
X3071A	IB CUSHION	W15*3t TAPE	1	28141585	
X7001	CERA LOCK	CSTCE8M00G55-R0	1	3010416R2	
C1001	C-CERA C	CK725F1E-104Z1	1	332161040R1	
C1002	C-CERA C	CK725B1H-103K1	1	332101035R1	
C1003	C-CERA C	CK725B1H-103K1	1	332101035R1	
C1005	C-CERA C	CK725F1E-104Z1	1	332161040R1	
C1006	C-CERA C	CK725F1E-104Z1	1	332161040R1	
C1007	C-CERA C	CC725CH1H-150J1	1	342101504R1	
C1008	VR C	CE04W50V-10M(VR)	1	394681007T	
C1009	C-CERA C	CC725CH1H-150J1	1	342101504R1	
C101	VR C	CE04W6.3V-470M(VR)	1	394624717T	<DD>
C1010	C-CERA C	CK725F1E-104Z1	1	332161040R1	
C1011	VR C	CE04W16V-100M(VR)	1	394641017T	
C1012	C-CERA C	CK725F1E-104Z1	1	332161040R1	
C1015	C-CERA C	CK725F1E-104Z1	1	332161040R1	
C1016	CHIP ELECT C	CEWX4V-100M	1	3981G1017R2	
C102	C-CERA C	CK725F1E-104Z1	1	332161040R1	<DD>
C104	UTSP C	CE04W50V-10M(UTSP)	1	397581007T	<DD>
C105	UTSP C	CE04W50V-10M(UTSP)	1	397581007T	<DD>
C106	C-CERA C	CK725F1E-104Z1	1	332161040R1	<DD>
C107	C-CERA C	CK725F1E-104Z1	1	332161040R1	<DD>
C108	C-CERA C	CK725F1E-104Z1	1	332161040R1	<DD>
C109	C-CERA C	CK725F1E-104Z1	1	332161040R1	<DD>
C110	C-CERA C	CK725F1E-104Z1	1	332161040R1	<DD>
C111	C-CERA C	CK725F1E-104Z1	1	332161040R1	<DD>
C112	C-CERA C	CC725CH1H-080D1	1	342100802R1	<DD>
C113	C-CERA C	CK725F1E-104Z1	1	332161040R1	<DD>
C114	C-CERA C	CC725CH1H-040C1	1	342100401R1	<DD>
C115	C-CERA C	CK725B1H-102K1	1	332101025R1	<DD>
C116	C-CERA C	CK725F1E-104Z1	1	332161040R1	<DD>
C117	VR C	CE04W16V-100M(VR)	1	394641017T	<DD>
C118	VR C	CE04W6.3V-470M(VR)	1	394624717T	<DD>
C119	VR C	CE04W16V-100M(VR)	1	394641017T	<DD>
C120	C-CERA C	CK725F1E-104Z1	1	332161040R1	<DD>
C121	C-CERA C	CK725F1E-104Z1	1	332161040R1	<DD>
C122	C-CERA C	CK725F1E-104Z1	1	332161040R1	<DD>
C123	C-CERA C	CK725F1E-104Z1	1	332161040R1	<DD>
C124	VR C	CE04W16V-100M(VR)	1	394641017T	<DD>
C125	C-CERA C	CK725F1E-104Z1	1	332161040R1	<DD>
C126	C-CERA C	CK725F1E-104Z1	1	332161040R1	<DD>
C127	C-CERA C	CK725F1E-104Z1	1	332161040R1	<DD>
C128	UTSP C	CE04W50V-10M(UTSP)	1	397581007T	<DD>
C129	UTSP C	CE04W50V-10M(UTSP)	1	397581007T	<DD>
C130	C-CERA C	CC725CH1H-821J1	1	342108214R1	<DD>
C131	C-CERA C	CC725CH1H-821J1	1	342108214R1	<DD>
C132	C-CERA C	CC725CH1H-821J1	1	342108214R1	<DD>
C133	C-CERA C	CC725CH1H-821J1	1	342108214R1	<DD>
C135	UTSP C	CE04W25V-100M(UTSP)	1	397551017T	<DD>
C136	UTSP C	CE04W25V-100M(UTSP)	1	397551017T	<DD>

C137	UTSP C	CE04W50V-10M(UTSP)	1	397581007T	<DD>
C138	UTSP C	CE04W50V-10M(UTSP)	1	397581007T	<DD>
C139	C-CERA C	CK725F1E-104Z1	1	332161040R1	<DD>
C140	C-CERA C	CK725B1H-102K1	1	332101025R1	<DD>
C3001	C-CERA C	CK725F1E-104Z1	1	332161040R1	
C3002	C-CERA C	CK725F1E-104Z1	1	332161040R1	
C3004	C-CERA C	CK725F1E-104Z1	1	332161040R1	
C3006	VR C	CE04W16V-100M(VR)	1	394641017T	
C3007	C-CERA C	CK725F1E-104Z1	1	332161040R1	
C3008	VR C	CE04W16V-100M(VR)	1	394641017T	
C3011	C-CERA C	CC725CH1H-101J1	1	342101014R1	
C3012	C-CERA C	CK725B1C-104K1	1	332121045R1	
C3013	C-CERA C	CC725CH1H-080D1	1	342100802R1	
C3014	C-CERA C	CC725CH1H-101J1	1	342101014R1	
C3015	C-CERA C	CK725B1C-104K1	1	332121045R1	
C3016	C-CERA C	CC725CH1H-080D1	1	342100802R1	
C3017	C-CERA C	CC725CH1H-101J1	1	342101014R1	
C3018	C-CERA C	CK725B1C-104K1	1	332121045R1	
C3019	C-CERA C	CC725CH1H-080D1	1	342100802R1	
C3021	C-CERA C	CK725F1E-104Z1	1	332161040R1	
C3022	VR C	CE04W16V-100M(VR)	1	394641017T	
C3025	C-CERA C	CK725F1E-104Z1	1	332161040R1	
C3031	UTSP C	CE04W50V-1M(UTSP)	1	397580107T	
C3032	UTSP C	CE04W50V-1M(UTSP)	1	397580107T	
C3033	UTSP C	CE04W50V-1M(UTSP)	1	397580107T	
C3034	UTSP C	CE04W50V-1M(UTSP)	1	397580107T	
C3035	VR C	CE04W16V-100M(VR)	1	394641017T	
C3036	C-CERA C	CK725F1E-104Z1	1	332161040R1	
C3037	C-CERA C	CK725F1E-104Z1	1	332161040R1	
C3041	UTSP C	CE04W10V-470M(UTSP)	1	397534717T	
C3042	UTSP C	CE04W10V-470M(UTSP)	1	397534717T	
C3043	C-CERA C	CK725F1E-104Z1	1	332161040R1	
C3044	C-CERA C	CK725F1E-104Z1	1	332161040R1	
C3045	TF C	ECQ-B50V-222J	1	374722224T	
C3046	TF C	ECQ-B50V-222J	1	374722224T	
C3047	UTSJ C	CE04W25V-47M(UTSJ)	1	398054707T	
C3048	C-CERA C	CK725F1E-104Z1	1	332161040R1	
C3049	VR C	CE04W16V-100M(VR)	1	394641017T	
C3050	UTSP C	CE04W10V-470M(UTSP)	1	397534717T	
C3051	C-CERA C	CK725F1E-104Z1	1	332161040R1	
C3052	C-CERA C	CK725B1H-102K1	1	332101025R1	
C3053	C-CERA C	CK725B1H-223K1	1	332102235R1	
C3054	C-CERA C	CK725F1E-104Z1	1	332161040R1	
C3055	C-CERA C	CC725CH1H-330J1	1	342103304R1	
C3056	C-CERA C	CC725CH1H-330J1	1	342103304R1	
C3057	C-CERA C	CC725CH1H-330J1	1	342103304R1	
C3058	C-CERA C	CC725CH1H-330J1	1	342103304R1	
C3059	UTSP C	CE04W10V-470M(UTSP)	1	397534717T	
C3061	C-CERA C	CK725F1E-104Z1	1	332161040R1	
C3062	C-CERA C	CK725F1E-104Z1	1	332161040R1	
C3064	C-CERA C	CK725B1H-102K1	1	332101025R1	
C3065	C-CERA C	CK725F1E-104Z1	1	332161040R1	
C3069	C-CERA C	CK725F1E-104Z1	1	332161040R1	
C3071	C-CERA C	CC725CH1H-120J1	1	342101204R1	
C3072	C-CERA C	CC725CH1H-120J1	1	342101204R1	
C3073	C-CERA C	CK725F1E-104Z1	1	332161040R1	
C3081	UTSP C	CE04W25V-47M(UTSP)	1	397554707T	
C3082	UTSP C	CE04W25V-47M(UTSP)	1	397554707T	
C3091	UTSP C	CE04W25V-47M(UTSP)	1	397554707T	
C3092	UTSP C	CE04W25V-47M(UTSP)	1	397554707T	
C3095	UTSP C	CE04W25V-220M(UTSP)	1	397552217T	
C3096	UTSP C	CE04W25V-220M(UTSP)	1	397552217T	
C3701	UTSP C	CE04W10V-220M(UTSP)	1	397532217T	
C3702	C-FILM C	ECHU16V-104J	1	373041044R2	
C3703	UTSP C	CE04W10V-220M(UTSP)	1	397532217T	
C3704	C-FILM C	ECHU16V-104J	1	373041044R2	
C3705	UTSJ C	CE04W25V-47M(UTSJ)	1	398054707T	
C3707	UTSP C	CE04W10V-220M(UTSP)	1	397532217T	

C3708	UTSP C	CE04W10V-220M(UTSP)	1	397532217T
C3709	C-FILM C	ECHU16V-104J	1	373041044R2
C3710	C-CERA C	CK725B1H-102K1	1	332101025R1
C3711	C-CERA C	CK725B1H-102K1	1	332101025R1
C3721	UTSP C	CE04W10V-220M(UTSP)	1	397532217T
C3722	C-FILM C	ECHU16V-104J	1	373041044R2
C3723	UTSP C	CE04W10V-220M(UTSP)	1	397532217T
C3724	C-FILM C	ECHU16V-104J	1	373041044R2
C3725	UTSJ C	CE04W25V-47M(UTSJ)	1	398054707T
C3727	UTSP C	CE04W10V-220M(UTSP)	1	397532217T
C3728	UTSP C	CE04W10V-220M(UTSP)	1	397532217T
C3729	C-FILM C	ECHU16V-104J	1	373041044R2
C3730	C-CERA C	CK725B1H-102K1	1	332101025R1
C3741	UTSP C	CE04W10V-220M(UTSP)	1	397532217T
C3742	C-FILM C	ECHU16V-104J	1	373041044R2
C3743	UTSP C	CE04W10V-220M(UTSP)	1	397532217T
C3744	C-FILM C	ECHU16V-104J	1	373041044R2
C3745	UTSJ C	CE04W25V-47M(UTSJ)	1	398054707T
C3747	UTSP C	CE04W10V-220M(UTSP)	1	397532217T
C3748	UTSP C	CE04W10V-220M(UTSP)	1	397532217T
C3749	C-FILM C	ECHU16V-104J	1	373041044R2
C3750	C-CERA C	CK725B1H-102K1	1	332101025R1
C3761	UTSP C	CE04W10V-220M(UTSP)	1	397532217T
C3762	C-FILM C	ECHU16V-104J	1	373041044R2
C3763	UTSP C	CE04W10V-220M(UTSP)	1	397532217T
C3764	C-FILM C	ECHU16V-104J	1	373041044R2
C3765	UTSJ C	CE04W25V-47M(UTSJ)	1	398054707T
C3767	UTSP C	CE04W10V-220M(UTSP)	1	397532217T
C3768	UTSP C	CE04W10V-220M(UTSP)	1	397532217T
C3769	C-FILM C	ECHU16V-104J	1	373041044R2
C3770	C-CERA C	CK725B1H-102K1	1	332101025R1
C3781	UTSP C	CE04W10V-220M(UTSP)	1	397532217T
C3782	C-FILM C	ECHU16V-104J	1	373041044R2
C3783	UTSP C	CE04W10V-220M(UTSP)	1	397532217T
C3784	C-FILM C	ECHU16V-104J	1	373041044R2
C3785	UTSJ C	CE04W25V-47M(UTSJ)	1	398054707T
C3787	UTSP C	CE04W10V-220M(UTSP)	1	397532217T
C3788	UTSP C	CE04W10V-220M(UTSP)	1	397532217T
C3789	C-FILM C	ECHU16V-104J	1	373041044R2
C3790	C-CERA C	CK725B1H-102K1	1	332101025R1
C3800	TF C	ECQ-B50V-272J	1	374722724T
C3801	TF C	ECQ-B50V-272J	1	374722724T
C3802	TF C	ECQ-B50V-272J	1	374722724T
C3803	TF C	ECQ-B50V-272J	1	374722724T
C3804	TF C	ECQ-B50V-272J	1	374722724T
C3805	TF C	ECQ-B50V-272J	1	374722724T
C3806	TF C	ECQ-B50V-272J	1	374722724T
C3807	TF C	ECQ-B50V-272J	1	374722724T
C3808	TF C	ECQ-B50V-272J	1	374722724T
C3809	TF C	ECQ-B50V-272J	1	374722724T
C3810	TF C	ECQ-B50V-272J	1	374722724T
C3811	TF C	ECQ-B50V-272J	1	374722724T
C3812	TF C	ECQ-B50V-272J	1	374722724T
C3813	TF C	ECQ-B50V-272J	1	374722724T
C3814	TF C	ECQ-B50V-272J	1	374722724T
C3815	TF C	ECQ-B50V-272J	1	374722724T
C3816	TF C	ECQ-B50V-272J	1	374722724T
C3817	TF C	ECQ-B50V-272J	1	374722724T
C3818	TF C	ECQ-B50V-272J	1	374722724T
C3819	TF C	ECQ-B50V-272J	1	374722724T
C3820	TF C	ECQ-B50V-101K	1	374721015T
C3821	TF C	ECQ-B50V-101K	1	374721015T
C3822	TF C	ECQ-B50V-101K	1	374721015T
C3823	TF C	ECQ-B50V-101K	1	374721015T
C3824	TF C	ECQ-B50V-101K	1	374721015T
C3825	TF C	ECQ-B50V-101K	1	374721015T
C3826	TF C	ECQ-B50V-101K	1	374721015T
C3827	TF C	ECQ-B50V-101K	1	374721015T

C3828	TF C	ECQ-B50V-101K	1	374721015T
C3829	TF C	ECQ-B50V-101K	1	374721015T
C3830	TF C	ECQ-B50V-101K	1	374721015T
C3831	TF C	ECQ-B50V-101K	1	374721015T
C3832	TF C	ECQ-B50V-101K	1	374721015T
C3833	TF C	ECQ-B50V-101K	1	374721015T
C3834	TF C	ECQ-B50V-101K	1	374721015T
C3835	TF C	ECQ-B50V-101K	1	374721015T
C3836	TF C	ECQ-B50V-101K	1	374721015T
C3836	TF C	ECQ-B50V-101K	1	374721015T
C3837	TF C	ECQ-B50V-101K	1	374721015T
C3838	TF C	ECQ-B50V-101K	1	374721015T
C3839	TF C	ECQ-B50V-101K	1	374721015T
C3850	TF C	ECQ-B50V-122J	1	374721224T
C3851	TF C	ECQ-B50V-122J	1	374721224T
C3852	TF C	ECQ-B50V-122J	1	374721224T
C3853	TF C	ECQ-B50V-122J	1	374721224T
C3854	TF C	ECQ-B50V-122J	1	374721224T
C3855	TF C	ECQ-B50V-122J	1	374721224T
C3856	TF C	ECQ-B50V-122J	1	374721224T
C3857	TF C	ECQ-B50V-122J	1	374721224T
C3858	TF C	ECQ-B50V-122J	1	374721224T
C3859	TF C	ECQ-B50V-122J	1	374721224T
C3860	TF C	ECQ-B50V-471J	1	374724714T
C3861	TF C	ECQ-B50V-471J	1	374724714T
C3862	TF C	ECQ-B50V-471J	1	374724714T
C3863	TF C	ECQ-B50V-471J	1	374724714T
C3864	TF C	ECQ-B50V-471J	1	374724714T
C3865	TF C	ECQ-B50V-471J	1	374724714T
C3866	TF C	ECQ-B50V-471J	1	374724714T
C3867	TF C	ECQ-B50V-471J	1	374724714T
C3868	TF C	ECQ-B50V-471J	1	374724714T
C3869	TF C	ECQ-B50V-471J	1	374724714T
C3870	UTSP C	CE04W50V 47M(UTSP)	1	397584707T
C3871	UTSP C	CE04W50V 47M(UTSP)	1	397584707T
C3872	UTSP C	CE04W50V 47M(UTSP)	1	397584707T
C3873	UTSP C	CE04W50V 47M(UTSP)	1	397584707T
C3874	UTSP C	CE04W50V 47M(UTSP)	1	397584707T
C3875	UTSP C	CE04W50V 47M(UTSP)	1	397584707T
C3876	UTSP C	CE04W50V 47M(UTSP)	1	397584707T
C3877	UTSP C	CE04W50V 47M(UTSP)	1	397584707T
C3878	UTSP C	CE04W50V 47M(UTSP)	1	397584707T
C3879	UTSP C	CE04W50V 47M(UTSP)	1	397584707T
C3880	UTSP C	CE04W25V-220M(UTSP)	1	397552217T
C3881	UTSP C	CE04W25V-220M(UTSP)	1	397552217T
C3882	UTSP C	CE04W25V-220M(UTSP)	1	397552217T
C3883	UTSP C	CE04W25V-220M(UTSP)	1	397552217T
C3884	UTSP C	CE04W25V-220M(UTSP)	1	397552217T
C3885	UTSP C	CE04W25V-220M(UTSP)	1	397552217T
C3886	UTSP C	CE04W25V-220M(UTSP)	1	397552217T
C3887	UTSP C	CE04W25V-220M(UTSP)	1	397552217T
C3888	UTSP C	CE04W25V-220M(UTSP)	1	397552217T
C3889	UTSP C	CE04W25V-220M(UTSP)	1	397552217T
C4201	UTSP C	CE04W50V 47M(UTSP)	1	397584707T
C4202	UTSP C	CE04W50V 47M(UTSP)	1	397584707T
C4203	UTSP C	CE04W50V 47M(UTSP)	1	397584707T
C4204	UTSP C	CE04W50V 47M(UTSP)	1	397584707T
C4205	UTSP C	CE04W50V 47M(UTSP)	1	397584707T
C4206	UTSP C	CE04W50V 47M(UTSP)	1	397584707T
C4207	UTSP C	CE04W50V 47M(UTSP)	1	397584707T
C4208	UTSP C	CE04W50V 47M(UTSP)	1	397584707T
C4209	UTSP C	CE04W50V 47M(UTSP)	1	397584707T
C4210	UTSP C	CE04W50V 47M(UTSP)	1	397584707T
C4211	UTSP C	CE04W50V 47M(UTSP)	1	397584707T
C4212	UTSP C	CE04W50V 47M(UTSP)	1	397584707T
C4213	UTSP C	CE04W50V 47M(UTSP)	1	397584707T
C4214	UTSP C	CE04W50V 47M(UTSP)	1	397584707T
C4227	TF C	ECQ-B50V-223J	1	374722234T

C4228	TF C	ECQ-B50V-223J	1	374722234T	
C4229	TF C	ECQ-V50V-823J	1	374728234T	
C4230	TF C	ECQ-V50V-823J	1	374728234T	
C4231	TF C	ECQ-V50V-474J	1	374724744T	
C4232	TF C	ECQ-V50V-474J	1	374724744T	
C4233	UTSP C	CE04W50V 47M(UTSP)	1	397584707T	
C4234	UTSP C	CE04W50V 47M(UTSP)	1	397584707T	
C4235	UTSP C	CE04W50V 47M(UTSP)	1	397584707T	
C4236	UTSP C	CE04W50V 47M(UTSP)	1	397584707T	
C4237	UTSP C	CE04W50V 47M(UTSP)	1	397584707T	
C4238	UTSP C	CE04W50V 47M(UTSP)	1	397584707T	
C4239	UTSP C	CE04W50V 47M(UTSP)	1	397584707T	
C4240	UTSP C	CE04W50V 47M(UTSP)	1	397584707T	
C4291	UTSP C	CE04W25V-220M(UTSP)	1	397552217T	
C4292	UTSP C	CE04W25V-220M(UTSP)	1	397552217T	
C4293	UTSP C	CE04W50V 47M(UTSP)	1	397584707T	
C4294	UTSP C	CE04W50V 47M(UTSP)	1	397584707T	
C4295	UTSP C	CE04W25V-220M(UTSP)	1	397552217T	
C4296	UTSP C	CE04W25V-220M(UTSP)	1	397552217T	
C4720	UTSP C	CE04W50V 47M(UTSP)	1	397584707T	
C4721	UTSP C	CE04W50V 47M(UTSP)	1	397584707T	
C4722	UTSP C	CE04W50V 47M(UTSP)	1	397584707T	
C4723	UTSP C	CE04W50V 47M(UTSP)	1	397584707T	
C4724	UTSP C	CE04W50V 47M(UTSP)	1	397584707T	
C4725	UTSP C	CE04W50V 47M(UTSP)	1	397584707T	
C4726	UTSP C	CE04W50V 47M(UTSP)	1	397584707T	
C4727	UTSP C	CE04W50V 47M(UTSP)	1	397584707T	
C4730	UTSP C	CE04W50V 47M(UTSP)	1	397584707T	
C4731	UTSP C	CE04W50V 47M(UTSP)	1	397584707T	
C4732	UTSP C	CE04W50V 47M(UTSP)	1	397584707T	
C4733	UTSP C	CE04W50V 47M(UTSP)	1	397584707T	
C4734	UTSP C	CE04W50V 47M(UTSP)	1	397584707T	
C4735	UTSP C	CE04W50V 47M(UTSP)	1	397584707T	
C4736	UTSP C	CE04W50V 47M(UTSP)	1	397584707T	
C4737	UTSP C	CE04W50V 47M(UTSP)	1	397584707T	
C4740	UTSP C	CE04W25V-100M(UTSP)	1	397551017T	
C4741	UTSP C	CE04W25V-100M(UTSP)	1	397551017T	
C7002	VR C	CE04W50V-4.7M(VR)	1	394680477T	
C7003	C-CERA C	CK725F1E-104Z1	1	332161040R1	
C7004	C-CERA C	CK725F1E-104Z1	1	332161040R1	<MA>
C7005	C-CERA C	CK725F1E-104Z1	1	332161040R1	
C7006	C-CERA C	CK725F1E-104Z1	1	332161040R1	
C7007	C-CERA C	CK725F1E-104Z1	1	332161040R1	
C7008	C-CERA C	CK725B1H-102K1	1	332101025R1	
C7009	C-CERA C	CK725F1E-104Z1	1	332161040R1	
C7010	C-CERA C	CK725F1E-104Z1	1	332161040R1	
C7011	C-CERA C	CK725F1E-104Z1	1	332161040R1	
C7012	C-CERA C	CK725F1E-104Z1	1	332161040R1	
C7013	C-CERA C	CK725F1E-104Z1	1	332161040R1	
C7014	C-CERA C	CK725F1E-104Z1	1	332161040R1	
C7015	C-CERA C	CK725B1H-102K1	1	332101025R1	
C7016	C-CERA C	CK725B1H-102K1	1	332101025R1	
C7017	C-CERA C	CK725F1E-104Z1	1	332161040R1	
C7018	C-CERA C	CK725B1H-102K1	1	332101025R1	
C7019	C-CERA C	CK725B1H-102K1	1	332101025R1	
C7020	C-CERA C	CK725B1H-102K1	1	332101025R1	
C7021	C-CERA C	CK725B1H-102K1	1	332101025R1	
C7022	C-CERA C	CC725CH1H-101J1	1	342101014R1	
C7023	C-CERA C	CC725CH1H-101J1	1	342101014R1	
C7024	C-CERA C	CK725F1E-104Z1	1	332161040R1	
C7025	C-CERA C	CK725F1E-104Z1	1	332161040R1	
C7027	C-CERA C	CK725F1E-104Z1	1	332161040R1	
C7151	C-CERA C	CK725F1E-104Z1	1	332161040R1	
C7152	VR C	CE04W16V-100M(VR)	1	394641017T	
C7155	C-CERA C	CK725F1E-104Z1	1	332161040R1	
C7161	C-CERA C	CK725F1E-104Z1	1	332161040R1	
C7165	C-CERA C	CK725F1E-104Z1	1	332161040R1	<DD>
C7166	VR C	CE04W16V-100M(VR)	1	394641017T	

C7171	C-CERA C	CK725F1E-104Z1	1	332161040R1	
C7172	C-CERA C	CK725F1E-104Z1	1	332161040R1	
C7181	C-CERA C	CK725F1E-104Z1	1	332161040R1	
C7183	VR C	CE04W16V-100M(VR)	1	394641017T	
C7201	VR C	CE04W16V-470M(VR)	1	394644717T	
C7203	VR C	CE04W6.3V-1000M(VR)	1	394621027T	
C7221	VR C	CE04W16V-470M(VR)	1	394644717T	
C7223	VR C	CE04W6.3V-1000M(VR)	1	394621027T	
C7231	VR C	CE04W16V-470M(VR)	1	394644717T	
C7233	VR C	CE04W6.3V-1000M(VR)	1	394621027T	
C7234	UTSP C	CE04W50V-10M(UTSP)	1	397581007T	<DD>
C7235	VR C	CE04W16V-100M(VR)	1	394641017T	<DD>
C7241	UTSP C	CE04W50V-10M(UTSP)	1	397581007T	
C7242	VR C	CE04W16V-100M(VR)	1	394641017T	
C7243	VR C	CE04W16V-100M(VR)	1	394641017T	
C7247	UTSP C	CE04W50V-10M(UTSP)	1	397581007T	
C7248	VR C	CE04W16V-100M(VR)	1	394641017T	
C7251	UTSP C	CE04W50V-10M(UTSP)	1	397581007T	
C7252	VR C	CE04W16V-100M(VR)	1	394641017T	
C7255	VR C	CE04W16V-470M(VR)	1	394644717T	
C7262	VR C	CE04W16V-100M(VR)	1	394641017T	
C7263	VR C	CE04W16V-100M(VR)	1	394641017T	
C7265	C-CERA C	CK732B1A-105K	1	337361055R2	
C7266	VR C	CE04W16V-100M(VR)	1	394641017T	
C7341	C-CERA C	CK732B1A-105K	1	337361055R2	<DD>
C7342	C-CERA C	CK732B1A-105K	1	337361055R2	<DD>
C7351	C-CERA C	CK732B1A-105K	1	337361055R2	
C7352	C-CERA C	CK732B1A-105K	1	337361055R2	
C7355	C-CERA C	CK732B1A-105K	1	337361055R2	
C7356	C-CERA C	CK732B1A-105K	1	337361055R2	
C7361	C-CERA C	CK732B1A-105K	1	337361055R2	
C7362	C-CERA C	CK732B1A-105K	1	337361055R2	
C7365	C-CERA C	CK732B1A-105K	1	337361055R2	
C7366	C-CERA C	CK732B1A-105K	1	337361055R2	
C7368	C-CERA C	CK732B1A-105K	1	337361055R2	
C7369	C-CERA C	CK732B1A-105K	1	337361055R2	
C7371	VR C	CE04W16V-470M(VR)	1	394644717T	
C7381	VR C	CE04W16V-470M(VR)	1	394644717T	
C7382	C-CERA C	CK725F1E-104Z1	1	332161040R1	
C7383	VR C	CE04W16V-100M(VR)	1	394641017T	
C7385	VR C	CE04W16V-470M(VR)	1	394644717T	
C7386	C-CERA C	CK725F1E-104Z1	1	332161040R1	
C7387	VR C	CE04W16V-100M(VR)	1	394641017T	
C7391	C-CERA C	CK725F1E-104Z1	1	332161040R1	
C7392	VR C	CE04W16V-100M(VR)	1	394641017T	
C7401	VR C	CE04W16V-100M(VR)	1	394641017T	<MA>
R1001	CARBON R	MCR03EZPF49R9(49.9_1%)	1	4100037R2	
R1002	CARBON R	MCR03EZPF49R9(49.9_1%)	1	4100037R2	
R1003	CARBON R	MCR03EZPF49R9(49.9_1%)	1	4100037R2	
R1004	CARBON R	MCR03EZPF49R9(49.9_1%)	1	4100037R2	
R1005	C-CARBON R	RN72K1J-222JE	1	435032224R1	
R1008	C-CARBON R	RN72K1J-103JE	1	435031034R1	
R1009	C-CARBON R	RN72K1J-471JE	1	435034714R1	
R101	C-CARBON R	RN72K1J-220JE	1	435032204R1	<DD>
R1010	C-CARBON R	RN72K1J-103JE	1	435031034R1	
R1011	C-CARBON R	RN72K1J-100JE	1	435031004R1	
R1012	C-CARBON R	RN72K1J-100JE	1	435031004R1	
R102	C-CARBON R	RN72K1J-331JE	1	435033314R1	<DD>
R1026	C-CARBON R	RN72K1J-470JE	1	435034704R1	
R1027	C-CARBON R	RN72K1J-470JE	1	435034704R1	
R1028	C-CARBON R	RN72K1J-470JE	1	435034704R1	
R1029	C-CARBON R	RN72K1J-470JE	1	435034704R1	
R103	C-CARBON R	RN72K1J-331JE	1	435033314R1	<DD>
R1030	C-CARBON R	RN72K1J-103JE	1	435031034R1	
R104	C-CARBON R	RN72K1J-331JE	1	435033314R1	<DD>
R105	C-CARBON R	RN72K1J-101JE	1	435031014R1	<DD>
R106	C-CARBON R	RN72K1J-220JE	1	435032204R1	<DD>
R107	C-CARBON R	RN72K1J-220JE	1	435032204R1	<DD>

R108	C-CARBON R	RN72K1J-220JE	1	435032204R1	<DD>
R109	C-CARBON R	RN72K1J-220JE	1	435032204R1	<DD>
R110	C-CARBON R	RN72K1J-104JE	1	435031044R1	<DD>
R111	C-CARBON R	RN72K1J-105JE	1	435031054R1	<DD>
R112	C-CARBON R	RN72K1J-681JE	1	435036814R1	<DD>
R113	C-CARBON R	RN72K1J-104JE	1	435031044R1	<DD>
R114	C-CARBON R	RN72K1J-104JE	1	435031044R1	<DD>
R115	C-CARBON R	RN72K1J-104JE	1	435031044R1	<DD>
R116	C-CARBON R	RN72K1J-220JE	1	435032204R1	<DD>
R117	C-CARBON R	RN72K1J-104JE	1	435031044R1	<DD>
R118	C-CARBON R	RN72K1J-102JE	1	435031024R1	<DD>
R119	C-CARBON R	RN72K1J-102JE	1	435031024R1	<DD>
R120	C-CARBON R	RN72K1J-101JE	1	435031014R1	<DD>
R121	C-CARBON R	RN72K1J-220JE	1	435032204R1	<DD>
R122	C-CARBON R	RN72K1J-101JE	1	435031014R1	<DD>
R123	C-CARBON R	RN72K1J-220JE	1	435032204R1	<DD>
R124	C-CARBON R	RN72K1J-104JE	1	435031044R1	<DD>
R125	C-CARBON R	RN72K1J-104JE	1	435031044R1	<DD>
R126	C-CARBON R	RN72K1J-222JE	1	435032224R1	<DD>
R127	C-CARBON R	RN72K1J-222JE	1	435032224R1	<DD>
R128	C-CARBON R	RN72K1J-222JE	1	435032224R1	<DD>
R129	C-CARBON R	RN72K1J-222JE	1	435032224R1	<DD>
R130	C-CARBON R	RN72K1J-332JE	1	435033324R1	<DD>
R131	C-CARBON R	RN72K1J-332JE	1	435033324R1	<DD>
R132	C-CARBON R	RN72K1J-472JE	1	435034724R1	<DD>
R133	C-CARBON R	RN72K1J-472JE	1	435034724R1	<DD>
R135	C-CARBON R	RN72K1J-104JE	1	435031044R1	<DD>
R136	C-CARBON R	RN72K1J-104JE	1	435031044R1	<DD>
R137	C-CARBON R	RN72K1J-470JE	1	435034704R1	<DD>
R141	C-CARBON R	RN72K1J-104JE	1	435031044R1	<DD>
R142	C-CARBON R	RN72K1J-103JE	1	435031034R1	<DD>
R145	C-CARBON R	RN72K1J-104JE	1	435031044R1	<DD>
R150	C-CARBON R	RN72K1J-000JE	1	435030004R1	<DD>
R151	C-CARBON R	RN72K1J-563JE	1	435035634R1	<DD>
R152	C-CARBON R	RN72K1J-563JE	1	435035634R1	<DD>
R3001	C-CARBON R	RN72K1J-470JE	1	435034704R1	
R3002	C-CARBON R	RN72K1J-470JE	1	435034704R1	
R3004	C-CARBON R	RN72K1J-221JE	1	435032214R1	
R3007	C-CARBON R	RN72K1J-103JE	1	435031034R1	
R3011	C-CARBON R	RN72K1J-750JE	1	435037504R1	
R3012	C-CARBON R	RN72K1J-100JE	1	435031004R1	
R3013	C-CARBON R	RN72K1J-224JE	1	435032244R1	
R3014	C-CARBON R	RN72K1J-103JE	1	435031034R1	
R3015	C-CARBON R	RN72K1J-750JE	1	435037504R1	
R3016	C-CARBON R	RN72K1J-100JE	1	435031004R1	
R3017	C-CARBON R	RN72K1J-224JE	1	435032244R1	
R3018	C-CARBON R	RN72K1J-103JE	1	435031034R1	
R3019	C-CARBON R	RN72K1J-750JE	1	435037504R1	
R3020	C-CARBON R	RN72K1J-100JE	1	435031004R1	
R3021	C-CARBON R	RN72K1J-224JE	1	435032244R1	
R3022	C-CARBON R	RN72K1J-103JE	1	435031034R1	
R3023	C-CARBON R	RN72K1J-470JE	1	435034704R1	
R3025	C-CARBON R	RN72K1J-221JE	1	435032214R1	
R3031	C-CARBON R	RN72K1J-103JE	1	435031034R1	
R3032	C-CARBON R	RN72K1J-331JE	1	435033314R1	
R3033	C-CARBON R	RN72K1J-331JE	1	435033314R1	
R3034	C-CARBON R	RN72K1J-331JE	1	435033314R1	
R3035	C-CARBON R	RN72K1J-103JE	1	435031034R1	
R3036	C-CARBON R	RN72K1J-331JE	1	435033314R1	
R3037	C-CARBON R	RN72K1J-103JE	1	435031034R1	
R3041	C-CARBON R	RN72K1J-102JE	1	435031024R1	
R3042	C-CARBON R	RN72K1J-470JE	1	435034704R1	
R3043	C-CARBON R	RN72K1J-102JE	1	435031024R1	
R3045	C-CARBON R	RN72K1J-102JE	1	435031024R1	
R3046	C-CARBON R	RN72K1J-470JE	1	435034704R1	
R3047	C-CARBON R	RN72K1J-221JE	1	435032214R1	
R3048	C-CARBON R	RN72K1J-392JE	1	435033924R1	
R3049	C-CARBON R	RN72K1J-392JE	1	435033924R1	

R3050	C-CARBON R	RN72K1J-152JE	1	435031524R1
R3051	C-CARBON R	RN72K1J-331JE	1	435033314R1
R3052	C-CARBON R	RN72K1J-331JE	1	435033314R1
R3053	C-CARBON R	RN72K1J-331JE	1	435033314R1
R3054	C-CARBON R	RN72K1J-331JE	1	435033314R1
R3056	C-CARBON R	RN72K1J-470JE	1	435034704R1
R3057	C-CARBON R	RN72K1J-470JE	1	435034704R1
R3058	C-CARBON R	RN72K1J-470JE	1	435034704R1
R3059	C-CARBON R	RN72K1J-221JE	1	435032214R1
R3060	C-CARBON R	RN72K1J-470JE	1	435034704R1
R3061	C-CARBON R	RN72K1J-470JE	1	435034704R1
R3065	C-CARBON R	RN72K1J-101JE	1	435031014R1
R3069	C-CARBON R	RN72K1J-101JE	1	435031014R1
R3071	C-CARBON R	RN72K1J-105JE	1	435031054R1
R3076	C-CARBON R	RN72K1J-000JE	1	435030004R1
R3081	C-CARBON R	RN72K1J-103JE	1	435031034R1
R3082	C-CARBON R	RN72K1J-103JE	1	435031034R1
R3083	C-CARBON R	RN72K1J-103JE	1	435031034R1
R3084	C-CARBON R	RN72K1J-103JE	1	435031034R1
R3085	C-CARBON R	RN72K1J-103JE	1	435031034R1
R3086	C-CARBON R	RN72K1J-560JE	1	435035604R1
R3087	C-CARBON R	RN72K1J-560JE	1	435035604R1
R3091	C-CARBON R	RN72K1J-103JE	1	435031034R1
R3092	C-CARBON R	RN72K1J-103JE	1	435031034R1
R3093	C-CARBON R	RN72K1J-103JE	1	435031034R1
R3094	C-CARBON R	RN72K1J-103JE	1	435031034R1
R3095	C-CARBON R	RN72K1J-103JE	1	435031034R1
R3096	C-CARBON R	RN72K1J-560JE	1	435035604R1
R3097	C-CARBON R	RN72K1J-560JE	1	435035604R1
R3098	C-CARBON R	RN72K1J-391JE	1	435033914R1
R3099	C-CARBON R	RN72K1J-391JE	1	435033914R1
R3680	C-CARBON R	RN72K1J-181JE	1	435031814R1
R3681	C-CARBON R	RN72K1J-181JE	1	435031814R1
R3682	C-CARBON R	RN72K1J-181JE	1	435031814R1
R3683	C-CARBON R	RN72K1J-181JE	1	435031814R1
R3684	C-CARBON R	RN72K1J-181JE	1	435031814R1
R3685	C-CARBON R	RN72K1J-181JE	1	435031814R1
R3686	C-CARBON R	RN72K1J-181JE	1	435031814R1
R3687	C-CARBON R	RN72K1J-181JE	1	435031814R1
R3688	C-CARBON R	RN72K1J-181JE	1	435031814R1
R3689	C-CARBON R	RN72K1J-181JE	1	435031814R1
R3690	C-CARBON R	RN72K1J-181JE	1	435031814R1
R3691	C-CARBON R	RN72K1J-181JE	1	435031814R1
R3692	C-CARBON R	RN72K1J-181JE	1	435031814R1
R3693	C-CARBON R	RN72K1J-181JE	1	435031814R1
R3694	C-CARBON R	RN72K1J-181JE	1	435031814R1
R3695	C-CARBON R	RN72K1J-181JE	1	435031814R1
R3696	C-CARBON R	RN72K1J-181JE	1	435031814R1
R3697	C-CARBON R	RN72K1J-181JE	1	435031814R1
R3698	C-CARBON R	RN72K1J-181JE	1	435031814R1
R3699	C-CARBON R	RN72K1J-181JE	1	435031814R1
R3701	C-CARBON R	RN72K1J-103JE	1	435031034R1
R3702	C-CARBON R	RN72K1J-331JE	1	435033314R1
R3703	C-CARBON R	RN72K1J-331JE	1	435033314R1
R3704	C-CARBON R	RN72K1J-331JE	1	435033314R1
R3705	C-CARBON R	RN72K1J-331JE	1	435033314R1
R3706	C-CARBON R	RN72K1J-331JE	1	435033314R1
R3707	C-CARBON R	RN72K1J-331JE	1	435033314R1
R3708	C-CARBON R	RN72K1J-331JE	1	435033314R1
R3709	C-CARBON R	RN72K1J-470JE	1	435034704R1
R3710	C-CARBON R	RN72K1J-331JE	1	435033314R1
R3711	C-CARBON R	RN72K1J-103JE	1	435031034R1
R3721	C-CARBON R	RN72K1J-103JE	1	435031034R1
R3722	C-CARBON R	RN72K1J-331JE	1	435033314R1
R3723	C-CARBON R	RN72K1J-331JE	1	435033314R1
R3724	C-CARBON R	RN72K1J-331JE	1	435033314R1
R3725	C-CARBON R	RN72K1J-331JE	1	435033314R1
R3726	C-CARBON R	RN72K1J-331JE	1	435033314R1

R3966	C-CARBON R	RN72K1J-152JE	1	435031524R1	
R3967	C-CARBON R	RN72K1J-152JE	1	435031524R1	
R3968	C-CARBON R	RN72K1J-152JE	1	435031524R1	
R3969	C-CARBON R	RN72K1J-152JE	1	435031524R1	
R3970	C-CARBON R	RN72K1J-220JE	1	435032204R1	
R3971	C-CARBON R	RN72K1J-220JE	1	435032204R1	
R3972	C-CARBON R	RN72K1J-220JE	1	435032204R1	
R3973	C-CARBON R	RN72K1J-220JE	1	435032204R1	
R3974	C-CARBON R	RN72K1J-220JE	1	435032204R1	
R3975	C-CARBON R	RN72K1J-220JE	1	435032204R1	
R3976	C-CARBON R	RN72K1J-220JE	1	435032204R1	
R3977	C-CARBON R	RN72K1J-220JE	1	435032204R1	
R3978	C-CARBON R	RN72K1J-220JE	1	435032204R1	
R3979	C-CARBON R	RN72K1J-220JE	1	435032204R1	
R3980	C-CARBON R	RN72K1J-224JE	1	435032244R1	
R3981	C-CARBON R	RN72K1J-224JE	1	435032244R1	
R3982	C-CARBON R	RN72K1J-224JE	1	435032244R1	
R3983	C-CARBON R	RN72K1J-224JE	1	435032244R1	
R3984	C-CARBON R	RN72K1J-224JE	1	435032244R1	
R3985	C-CARBON R	RN72K1J-224JE	1	435032244R1	
R3986	C-CARBON R	RN72K1J-224JE	1	435032244R1	
R3987	C-CARBON R	RN72K1J-224JE	1	435032244R1	
R3988	C-CARBON R	RN72K1J-224JE	1	435032244R1	
R3989	C-CARBON R	RN72K1J-224JE	1	435032244R1	
R4201	C-CARBON R	RN72K1J-224JE	1	435032244R1	
R4202	C-CARBON R	RN72K1J-224JE	1	435032244R1	
R4203	C-CARBON R	RN72K1J-224JE	1	435032244R1	
R4204	C-CARBON R	RN72K1J-224JE	1	435032244R1	
R4205	C-CARBON R	RN72K1J-224JE	1	435032244R1	
R4206	C-CARBON R	RN72K1J-224JE	1	435032244R1	
R4207	C-CARBON R	RN72K1J-224JE	1	435032244R1	
R4208	C-CARBON R	RN72K1J-224JE	1	435032244R1	
R4209	C-CARBON R	RN72K1J-473JE	1	435034734R1	
R4210	C-CARBON R	RN72K1J-473JE	1	435034734R1	
R4211	C-CARBON R	RN72K1J-473JE	1	435034734R1	
R4212	C-CARBON R	RN72K1J-473JE	1	435034734R1	
R4213	C-CARBON R	RN72K1J-224JE	1	435032244R1	
R4214	C-CARBON R	RN72K1J-224JE	1	435032244R1	
R4215	C-CARBON R	RN72K1J-224JE	1	435032244R1	
R4216	C-CARBON R	RN72K1J-224JE	1	435032244R1	
R4253	C-CARBON R	RN72K1J-182JE	1	435031824R1	
R4254	C-CARBON R	RN72K1J-182JE	1	435031824R1	
R4255	C-CARBON R	RN72K1J-103JE	1	435031034R1	
R4256	C-CARBON R	RN72K1J-103JE	1	435031034R1	
R4291	NF CARBON R	R25J-22	1	415472204T	
R4292	NF CARBON R	R25I-22	1	415472204T	
R4293	C-CARBON R	RN72K1J-152JE	1	435031524R1	
R4294	C-CARBON R	RN72K1J-152JE	1	435031524R1	
R4720	C-CARBON R	RN72K1J-224JE	1	435032244R1	
R4721	C-CARBON R	RN72K1J-224JE	1	435032244R1	
R4722	C-CARBON R	RN72K1J-224JE	1	435032244R1	
R4723	C-CARBON R	RN72K1J-224JE	1	435032244R1	
R4724	C-CARBON R	RN72K1J-224JE	1	435032244R1	
R4725	C-CARBON R	RN72K1J-224JE	1	435032244R1	
R4726	C-CARBON R	RN72K1J-224JE	1	435032244R1	
R4727	C-CARBON R	RN72K1J-224JE	1	435032244R1	
R4730	C-CARBON R	RN72K1J-224JE	1	435032244R1	
R4731	C-CARBON R	RN72K1J-224JE	1	435032244R1	
R4732	C-CARBON R	RN72K1J-224JE	1	435032244R1	
R4733	C-CARBON R	RN72K1J-224JE	1	435032244R1	
R4734	C-CARBON R	RN72K1J-224JE	1	435032244R1	
R4735	C-CARBON R	RN72K1J-224JE	1	435032244R1	
R4736	C-CARBON R	RN72K1J-224JE	1	435032244R1	
R4737	C-CARBON R	RN72K1J-224JE	1	435032244R1	
R4740	METAL O R	RS1/2WBJ-22	1	443522204T	
R4741	METAL O R	RS1/2WBJ-22	1	443522204T	
R7001	C-CARBON R	RN72K1J-470JE	1	435034704R1	<DD>
R7002	C-CARBON R	RN72K1J-470JE	1	435034704R1	<DD>

R7003	C-CARBON R	RN72K1J-470JE	1	435034704R1	
R7005	C-CARBON R	RN72K1J-470JE	1	435034704R1	<DD>
R7006	C-CARBON R	RN72K1J-221JE	1	435032214R1	
R7007	C-CARBON R	RN72K1J-470JE	1	435034704R1	<DD>
R7008	C-CARBON R	RN72K1J-221JE	1	435032214R1	
R7011	C-CARBON R	RN72K1J-102JE	1	435031024R1	
R7012	C-CARBON R	RN72K1J-102JE	1	435031024R1	
R7013	C-CARBON R	RN72K1J-470JE	1	435034704R1	<DD>
R7014	C-CARBON R	RN72K1J-470JE	1	435034704R1	<DD>
R7016	C-CARBON R	RN72K1J-103JE	1	435031034R1	
R7018	C-CARBON R	RN72K1J-221JE	1	435032214R1	
R7024	C-CARBON R	RN72K1J-103JE	1	435031034R1	
R7025	C-CARBON R	RN72K1J-224JE	1	435032244R1	
R7026	C-CARBON R	RN72K1J-224JE	1	435032244R1	
R7027	C-CARBON R	RN72K1J-472JE	1	435034724R1	
R7030	C-CARBON R	RN72K1J-470JE	1	435034704R1	
R7031	C-CARBON R	RN72K1J-470JE	1	435034704R1	
R7032	C-CARBON R	RN72K1J-221JE	1	435032214R1	
R7033	C-CARBON R	RN72K1J-221JE	1	435032214R1	
R7034	C-CARBON R	RN72K1J-470JE	1	435034704R1	
R7035	C-CARBON R	RN72K1J-470JE	1	435034704R1	
R7036	C-CARBON R	RN72K1J-470JE	1	435034704R1	
R7037	C-CARBON R	RN72K1J-470JE	1	435034704R1	
R7038	C-CARBON R	RN72K1J-470JE	1	435034704R1	
R7040	C-CARBON R	RN72K1J-470JE	1	435034704R1	
R7042	C-CARBON R	RN72K1J-470JE	1	435034704R1	
R7043	C-CARBON R	RN72K1J-470JE	1	435034704R1	
R7044	C-CARBON R	RN72K1J-470JE	1	435034704R1	
R7045	C-CARBON R	RN72K1J-221JE	1	435032214R1	
R7046	C-CARBON R	RN72K1J-470JE	1	435034704R1	
R7048	C-CARBON R	RN72K1J-470JE	1	435034704R1	
R7049	C-CARBON R	RN72K1J-470JE	1	435034704R1	
R7050	C-CARBON R	RN72K1J-470JE	1	435034704R1	
R7051	C-CARBON R	RN72K1J-470JE	1	435034704R1	
R7053	C-CARBON R	RN72K1J-470JE	1	435034704R1	
R7054	C-CARBON R	RN72K1J-103JE	1	435031034R1	
R7055	C-CARBON R	RN72K1J-470JE	1	435034704R1	
R7062	C-CARBON R	RN72K1J-470JE	1	435034704R1	
R7063	C-CARBON R	RN72K1J-470JE	1	435034704R1	
R7064	C-CARBON R	RN72K1J-470JE	1	435034704R1	
R7065	C-CARBON R	RN72K1J-103JE	1	435031034R1	
R7069	C-CARBON R	RN72K1J-470JE	1	435034704R1	
R7070	C-CARBON R	RN72K1J-470JE	1	435034704R1	
R7071	C-CARBON R	RN72K1J-470JE	1	435034704R1	
R7072	C-CARBON R	RN72K1J-470JE	1	435034704R1	
R7073	C-CARBON R	RN72K1J-470JE	1	435034704R1	
R7075	C-CARBON R	RN72K1J-470JE	1	435034704R1	
R7077	C-CARBON R	RN72K1J-470JE	1	435034704R1	
R7078	C-CARBON R	RN72K1J-470JE	1	435034704R1	
R7079	C-CARBON R	RN72K1J-221JE	1	435032214R1	
R7080	C-CARBON R	RN72K1J-470JE	1	435034704R1	
R7081	C-CARBON R	RN72K1J-221JE	1	435032214R1	
R7082	C-CARBON R	RN72K1J-470JE	1	435034704R1	
R7083	C-CARBON R	RN72K1J-221JE	1	435032214R1	
R7084	C-CARBON R	RN72K1J-470JE	1	435034704R1	
R7085	C-CARBON R	RN72K1J-470JE	1	435034704R1	
R7086	C-CARBON R	RN72K1J-221JE	1	435032214R1	
R7087	C-CARBON R	RN72K1J-470JE	1	435034704R1	
R7088	C-CARBON R	RN72K1J-221JE	1	435032214R1	
R7089	C-CARBON R	RN72K1J-470JE	1	435034704R1	
R7090	C-CARBON R	RN72K1J-470JE	1	435034704R1	
R7092	C-CARBON R	RN72K1J-221JE	1	435032214R1	
R7094	C-CARBON R	RN72K1J-470JE	1	435034704R1	
R7095	C-CARBON R	RN72K1J-470JE	1	435034704R1	
R7096	C-CARBON R	RN72K1J-221JE	1	435032214R1	
R7097	C-CARBON R	RN72K1J-470JE	1	435034704R1	
R7098	C-CARBON R	RN72K1J-470JE	1	435034704R1	
R7099	C-CARBON R	RN72K1J-221JE	1	435032214R1	

R7100	C-CARBON R	RN72K1J-221JE	1	435032214R1	
R7101	C-CARBON R	RN72K1J-221JE	1	435032214R1	
R7102	C-CARBON R	RN72K1J-221JE	1	435032214R1	
R7103	C-CARBON R	RN72K1J-221JE	1	435032214R1	
R7104	C-CARBON R	RN72K1J-221JE	1	435032214R1	
R7105	C-CARBON R	RN72K1J-470JE	1	435034704R1	
R7106	C-CARBON R	RN72K1J-470JE	1	435034704R1	
R7107	C-CARBON R	RN72K1J-221JE	1	435032214R1	
R7108	C-CARBON R	RN72K1J-470JE	1	435034704R1	
R7109	C-CARBON R	RN72K1J-221JE	1	435032214R1	
R7110	C-CARBON R	RN72K1J-333JE	1	435033334R1	
R7111	C-CARBON R	RN72K1J-563JE	1	435035634R1	
R7112	C-CARBON R	RN72K1J-333JE	1	435033334R1	
R7113	C-CARBON R	RN72K1J-333JE	1	435033334R1	<DD>
R7113	C-CARBON R	RN72K1J-103JE	1	435031034R1	<MA>
R7119	C-CARBON R	RN72K1J-102JE	1	435031024R1	
R7120	C-CARBON R	RN72K1J-102JE	1	435031024R1	
R7121	C-CARBON R	RN72K1J-470JE	1	435034704R1	
R7122	C-CARBON R	RN72K1J-470JE	1	435034704R1	
R7123	C-CARBON R	RN72K1J-470JE	1	435034704R1	
R7124	C-CARBON R	RN72K1J-221JE	1	435032214R1	
R7125	C-CARBON R	RN72K1J-470JE	1	435034704R1	
R7126	C-CARBON R	RN72K1J-470JE	1	435034704R1	
R7127	C-CARBON R	RN72K1J-221JE	1	435032214R1	
R7128	C-CARBON R	RN72K1J-221JE	1	435032214R1	
R7129	C-CARBON R	RN72K1J-470JE	1	435034704R1	
R7131	C-CARBON R	RN72K1J-470JE	1	435034704R1	
R7133	C-CARBON R	RN72K1J-472JE	1	435034724R1	
R7134	C-CARBON R	RN72K1J-472JE	1	435034724R1	
R7135	C-CARBON R	RN72K1J-472JE	1	435034724R1	
R7136	C-CARBON R	RN72K1J-472JE	1	435034724R1	
R7137	C-CARBON R	RN72K1J-221JE	1	435032214R1	
R7138	C-CARBON R	RN72K1J-470JE	1	435034704R1	
R7139	C-CARBON R	RN72K1J-470JE	1	435034704R1	
R7141	C-CARBON R	RN72K1J-470JE	1	435034704R1	
R7144	C-CARBON R	RN72K1J-221JE	1	435032214R1	
R7151	C-CARBON R	RN72K1J-470JE	1	435034704R1	
R7152	C-CARBON R	RN72K1J-470JE	1	435034704R1	
R7153	C-CARBON R	RN72K1J-470JE	1	435034704R1	
R7154	C-CARBON R	RN72K1J-470JE	1	435034704R1	
R7155	C-CARBON R	RN72K1J-470JE	1	435034704R1	
R7156	C-CARBON R	RN72K1J-470JE	1	435034704R1	
R7157	C-CARBON R	RN72K1J-470JE	1	435034704R1	
R7158	C-CARBON R	RN72K1J-470JE	1	435034704R1	
R7161	C-CARBON R	RN72K1J-470JE	1	435034704R1	
R7162	C-CARBON R	RN72K1J-470JE	1	435034704R1	
R7163	C-CARBON R	RN72K1J-470JE	1	435034704R1	
R7164	C-CARBON R	RN72K1J-470JE	1	435034704R1	
R7167	C-CARBON R	RN72K1J-470JE	1	435034704R1	
R7171	C-CARBON R	RN72K1J-470JE	1	435034704R1	
R7172	C-CARBON R	RN72K1J-470JE	1	435034704R1	
R7173	C-CARBON R	RN72K1J-470JE	1	435034704R1	
R7174	C-CARBON R	RN72K1J-470JE	1	435034704R1	
R7175	C-CARBON R	RN72K1J-470JE	1	435034704R1	
R7176	C-CARBON R	RN72K1J-470JE	1	435034704R1	
R7177	C-CARBON R	RN72K1J-470JE	1	435034704R1	
R7178	C-CARBON R	RN72K1J-470JE	1	435034704R1	
R7181	C-CARBON R	RN72K1J-104JE	1	435031044R1	
R7182	C-CARBON R	RN72K1J-104JE	1	435031044R1	
R7183	C-CARBON R	RN72K1J-104JE	1	435031044R1	
R7184	C-CARBON R	RN72K1J-104JE	1	435031044R1	
R7185	C-CARBON R	RN72K1J-104JE	1	435031044R1	
R7186	C-CARBON R	RN72K1J-104JE	1	435031044R1	
R7187	C-CARBON R	RN72K1J-104JE	1	435031044R1	
R7188	C-CARBON R	RN72K1J-104JE	1	435031044R1	
R7189	C-CARBON R	RN72K1J-221JE	1	435032214R1	
R7190	C-CARBON R	RN72K1J-221JE	1	435032214R1	
R7191	C-CARBON R	RN72K1J-221JE	1	435032214R1	

R7192	C-CARBON R	RN72K1J-104JE	1	435031044R1	
R7193	C-CARBON R	RN72K1J-104JE	1	435031044R1	
R7194	C-CARBON R	RN72K1J-104JE	1	435031044R1	
R7195	C-CARBON R	RN72K1J-104JE	1	435031044R1	
R7196	C-CARBON R	RN72K1J-104JE	1	435031044R1	
R7197	C-CARBON R	RN72K1J-104JE	1	435031044R1	
R7198	C-CARBON R	RN72K1J-561JE	1	435035614R1	
R7201	METAL R	RNU1/2WCJ-2.2	1	453530224T	
R7202	C-CARBON R	RN72K1J-102JE	1	435031024R1	
R7203	C-CARBON R	RN72K1J-392JE	1	435033924R1	
R7204	C-CARBON R	RN72K1J-272JE	1	435032724R1	
R7205	C-CARBON R	RN72K1J-472JE	1	435034724R1	
R7210	C-CARBON R	RN72K1J-563JE	1	435035634R1	
R7211	C-CARBON R	RN72K1J-333JE	1	435033334R1	
R7212	C-CARBON R	RN72K1J-103JE	1	435031034R1	
R7213	C-CARBON R	RN72K1J-103JE	1	435031034R1	<DD>
R7221	METAL R	RNU1/2WCJ-2.2	1	453530224T	
R7222	C-CARBON R	RN72K1J-102JE	1	435031024R1	
R7223	C-CARBON R	RN72K1J-392JE	1	435033924R1	
R7224	C-CARBON R	RN72K1J-272JE	1	435032724R1	
R7225	C-CARBON R	RN72K1J-472JE	1	435034724R1	
R7230	C-CARBON R	RN72K1J-000JE	1	435030004R1	<DD>
R7231	METAL R	RNU1/2WCJ-0.22	1	453532294T	
R7232	C-CARBON R	RN72K1J-102JE	1	435031024R1	
R7233	C-CARBON R	RN72K1J-392JE	1	435033924R1	
R7234	C-CARBON R	RN72K1J-563JE	1	435035634R1	
R7235	C-CARBON R	RN72K1J-562JE	1	435035624R1	
R7236	C-CARBON R	RN72K1J-273JE	1	435032734R1	<DD>
R7237	C-CARBON R	RN72K1J-334JE	1	435033344R1	<DD>
R7238	C-CARBON R	RN72K1J-334JE	1	435033344R1	<DD>
R7239	C-CARBON R	RN72K1J-000JE	1	435030004R1	<MA>
R7241	METAL O R	RS1/2WBJ-56	1	443525604T	
R7245	METAL R	RNU1/2WCJ-2.7	1	453530274T	
R7246	METAL R	RNU1/2WCJ-2.7	1	453530274T	
R7247	METAL R	RNU1/2WCJ-2.7	1	453530274T	
R7248	METAL R	RNU1/2WCJ-2.7	1	453530274T	
R7251	C-CARBON R	RN72K1J-103JE	1	435031034R1	
R7252	METAL O R	RS1/2WBJ-22	1	443522204T	
R7255	C-CARBON R	RN72K1J-103JE	1	435031034R1	
R7256	C-CARBON R	RN72K1J-103JE	1	435031034R1	
R7261	C-CARBON R	RN72K1J-103JE	1	435031034R1	
R7262	C-CARBON R	RN72K1J-103JE	1	435031034R1	<DD>
R7263	C-CARBON R	RN72K1J-103JE	1	435031034R1	<DD>
R7264	C-CARBON R	RN72K1J-273JE	1	435032734R1	
R7265	C-CARBON R	RN72K1J-273JE	1	435032734R1	
R7266	C-CARBON R	RN72K1J-103JE	1	435031034R1	
R7267	C-CARBON R	RN72K1J-473JE	1	435034734R1	
R7268	C-CARBON R	RN72K1J-103JE	1	435031034R1	
R7269	C-CARBON R	RN72K1J-103JE	1	435031034R1	
R7272	C-CARBON R	RN72K1J-103JE	1	435031034R1	
R7273	C-CARBON R	RN72K1J-103JE	1	435031034R1	
R7275	C-CARBON R	RN72K1J-103JE	1	435031034R1	
R7278	C-CARBON R	RN72K1J-103JE	1	435031034R1	
R7279	C-CARBON R	RN72K1J-103JE	1	435031034R1	
R7280	C-CARBON R	RN72K1J-103JE	1	435031034R1	
R7281	C-CARBON R	RN72K1J-103JE	1	435031034R1	
R7282	C-CARBON R	RN72K1J-103JE	1	435031034R1	
R7283	C-CARBON R	RN72K1J-103JE	1	435031034R1	
R7284	C-CARBON R	RN72K1J-101JE	1	435031014R1	
R7285	C-CARBON R	RN72K1J-224JE	1	435032244R1	
R7286	C-CARBON R	RN72K1J-101JE	1	435031014R1	
R7287	C-CARBON R	RN72K1J-103JE	1	435031034R1	
R7288	C-CARBON R	RN72K1J-103JE	1	435031034R1	
R7289	C-CARBON R	RN72K1J-103JE	1	435031034R1	
R7290	C-CARBON R	RN72K1J-103JE	1	435031034R1	
R7291	C-CARBON R	RN72K1J-103JE	1	435031034R1	
R7292	C-CARBON R	RN72K1J-103JE	1	435031034R1	
R7293	C-CARBON R	RN72K1J-272JE	1	435032724R1	

R7294	C-CARBON R	RN72K1J-272JE	1	435032724R1	
R7295	C-CARBON R	RN72K1J-272JE	1	435032724R1	
R7296	C-CARBON R	RN72K1J-272JE	1	435032724R1	
R7297	C-CARBON R	RN72K1J-103JE	1	435031034R1	<DD>
R7298	C-CARBON R	RN72K1J-222JE	1	435032224R1	
R7299	C-CARBON R	RN72K1J-222JE	1	435032224R1	
R7300	C-CARBON R	RN72K1J-103JE	1	435031034R1	
R7301	C-CARBON R	RN72K1J-103JE	1	435031034R1	
R7302	C-CARBON R	RN72K1J-103JE	1	435031034R1	
R7303	C-CARBON R	RN72K1J-103JE	1	435031034R1	
R7342	C-CARBON R	RN72K1J-222JE	1	435032224R1	<DD>
R7343	C-CARBON R	RN72K1J-221JE	1	435032214R1	<DD>
R7351	C-CARBON R	RN72K1J-103JE	1	435031034R1	
R7352	C-CARBON R	RN72K1J-222JE	1	435032224R1	
R7353	C-CARBON R	RN72K1J-102JE	1	435031024R1	
R7355	C-CARBON R	RN72K1J-103JE	1	435031034R1	
R7356	C-CARBON R	RN72K1J-222JE	1	435032224R1	
R7357	C-CARBON R	RN72K1J-102JE	1	435031024R1	
R7361	C-CARBON R	RN72K1J-103JE	1	435031034R1	
R7362	C-CARBON R	RN72K1J-222JE	1	435032224R1	
R7363	C-CARBON R	RN72K1J-102JE	1	435031024R1	
R7365	C-CARBON R	RN72K1J-103JE	1	435031034R1	
R7366	C-CARBON R	RN72K1J-222JE	1	435032224R1	
R7367	C-CARBON R	RN72K1J-102JE	1	435031024R1	
R7368	C-CARBON R	RN72K1J-222JE	1	435032224R1	
R7369	C-CARBON R	RN72K1J-102JE	1	435031024R1	
R7371	C-CARBON R	RN72K1J-470JE	1	435034704R1	
R7391	C-CARBON R	RN72K1J-103JE	1	435031034R1	
R7392	C-CARBON R	RN72K1J-103JE	1	435031034R1	
R7401	C-CARBON R	RN72K1J-220JE	1	435032204R1	
R7402	C-CARBON R	RN72K1J-220JE	1	435032204R1	
R7403	C-CARBON R	RN72K1J-000JE	1	435030004R1	
R7404	C-CARBON R	RN72K1J-273JE	1	435032734R1	
R7407	C-CARBON R	RN72K1J-000JE	1	435030004R1	<DD>
R7408	C-CARBON R	RN72K1J-000JE	1	435030004R1	<DD>
R7411	C-CARBON R	RN72K1J-000JE	1	435030004R1	<MA>
R7412	C-CARBON R	RN72K1J-000JE	1	435030004R1	<DD>
R7413	C-CARBON R	RN72K1J-000JE	1	435030004R1	
R7414	C-CARBON R	RN72K1J-000JE	1	435030004R1	
R7415	C-CARBON R	RN72K1J-222JE	1	435032224R1	<MA>
R7416	C-CARBON R	RN72K1J-222JE	1	435032224R1	<MA>
R7417	C-CARBON R	RN72K1J-392JE	1	435033924R1	<MA>
R7418	C-CARBON R	RN72K1J-392JE	1	435033924R1	<MA>
R7422	C-CARBON R	RN72K1J-000JE	1	435030004R1	
R7425	C-CARBON R	RN72K1J-000JE	1	435030004R1	<MA>
R7428	C-CARBON R	RN72K1J-000JE	1	435030004R1	
R7429	C-CARBON R	RN72K1J-000JE	1	435030004R1	
E101	TRM(SCREW)	NEJITANSI M3	1	25065425	<DD>
E102	TRM(SCREW)	NEJITANSI M3	1	25065425	<DD>
JL9501A	SOCKET	NSCT-6P111	1	25050283	
P1001	SOCKET	J0026D21NL	1	25053250	
P1010	PLUG	IMSA-9201B-1-06Z388-PT1	1	25056614	
P1011	TRM(SCREW)	NEJITANSI M3	1	25065425	
P1012	TRM(SCREW)	NEJITANSI M3	1	25065425	
P101B	SOCKET	NSCT-13P2106	1	25052209	
P101Bor	SOCKET	NSCT-13P1607	(1)	25051820	
P102A	SOCKET	NSCT-18P2148	1	25052251	<DD>
P102Aor	SOCKET	NSCT-18P1649	(1)	25051862	<DD>
P102B	SOCKET	NSCT-18P2111	1	25052214	<DD>
P102Bor	SOCKET	NSCT-18P1612	(1)	25051825	<DD>
P121	SOCKET	YKF51-5397N	1	25053201	<DD>
P122	SOCKET	CAM-C16	1	25053104R2	<DD>
P122A	RETAINER	(XM)	1	27142048	<DD>
P2010B	SOCKET	IMSA-9142S-24A	1	25053234	
P205A	SOCKET	NSCT-9P2206	1	25052309	
P205Aor	SOCKET	NSCT-9P2400	(1)	25052503	
P205B	SOCKET	NSCT-9P2206	1	25052309	
P205Bor	SOCKET	NSCT-9P2400	(1)	25052503	

P2998	TRM	NTM-1P232(M1700)	1	25060301	
P2999	TRM	NTM-1P232(M1700)	1	25060301	
P3001	PIN JACK	NPJ-3PDO657	1	25045885	
P3001 or	PIN JACK	NPJ-3PDO431	(1)	25045624	
P3002	ST JACK	MSJ-035-22	1	25045887	
P3002 or	JACK	YKB21-5130	(1)	25045387	
P3003	SOCKET	7906-09FHA	1	25053103	
P3101A	PLUG	IMSA-9142B-24A	1	25056602	
P3102A	PLUG	IMSA-9142B-14A	1	25056597	
P3103A	PLUG	IMSA-9142B-16A	1	25056598	
P3801A	PLUG	IMSA-9855B-30D-T	1	25056604	
P3802A	PLUG	IMSA-9855B-30D-T	1	25056604	
P4020B	SOCKET	IMSA-9142S-26A	1	25053235	
P4021B	SOCKET	IMSA-9142S-26A	1	25053235	
P4032B	SOCKET	NSCT-8P1023	1	25051233	
P4033B	SOCKET	NSCT-13P1028	1	25051238	
P4110	SOCKET	9210B-1-10Z140-PT1	1	25053247	
P4111	SOCKET	9210B-1-09Z140-PT1	1	25053249	
P6851A	PLUG	IMSA-9142B-20A	1	25056600	
P6852A	PLUG	IMSA-9142B-20A	1	25056600	
P6853A	PLUG	IMSA-9142B-20A	1	25056600	
P7001	SOCKET	NSCT-9P2427	1	25052530	
P7002	TRM(SCREW)	NEJITANSI M3	1	25065425	
P7501A	SOCKET	NSCT-40P2170	1	25052273	
P8002A	PLUG	NPLG-15P667	1	25055711	

U17	DISPLAY PC BOARD (NADIS-9096-1F/1G
U18	SWITCH PC BOARD (NADIS-9097-1F/1G
U19	HEADPHONE PC BOARD (NADIS-9098-1F/1G
U20	POWER SUPPLY PC BOARD (NADIS-9099-1F/1G
U21	OPT PC BOARD (NADIS-9100-1F/1G
U22	VOLUME PC BOARD (NADIS-9101-1F/1G
U24	HOLDER PC BOARD (NADIS-9103-1F/1G

REF. NO.	PART NAME	DESCRIPTION	Q'TY	PART NO. (SN)	REMARKS
U7520	PHT CP	TORX177L	1	24120127	
U7560	REMO SENS	NJL34H380A	1	241365	
Q7500	FL TUBE	HNA-16SL04T	1	212266	
Q7500A	HOLDER	(FL)	1	27191303	
Q7501	IC	M66005-0001AHP	1	22242208R3	
Q7502	IC	M66005-0001AHP	1	22242208R3	
Q7503	TR	2SC2712-GR	1	2213145R2	
Q7503 or	TR	2SC2712-Y(TE85L_F)	(1)	2213144R2	
Q7504	TR	2SC2712-GR	1	2213145R2	
Q7504 or	TR	2SC2712-Y(TE85L_F)	(1)	2213144R2	
Q7520	IC	NE5532APSR	1	22242283R2	
Q7530	IC	NJM4580M-D	1	22241448R2	
Q7532	TR	RN1441	1	2215410R2	
Q7533	TR	RN2403	1	2214540R2	
Q7533 or	TR	DTA124EKA	(1)	2216240R2	
Q7533 or	TR	KRA103S	(1)	2216230R2	
Q7592	TR	DTC123JKA	1	2216690R2	
Q7593	TR	DTC123JKA	1	2216690R2	
Q7594	TR	DTC123JKA	1	2216690R2	<MA>
Q7611	IC	TC74VHC08F(EL_F)	1	22241029R2	
Q9301	TR	2SC2235-Y(TPE6_F)	1	2211654T	
Q9301 or	TR	2SC2235-O(TPE6_F)	(1)	2211653T	
D7500	ZENER D	UDZS10B	1	224551000R2	
D7520	C-DIODE	1SS355	1	223269R2	
D7521	C-DIODE	1SS355	1	223269R2	
D7522	C-DIODE	1SS355	1	223269R2	
D7523	C-DIODE	1SS355	1	223269R2	
D7530	ZENER D	UDZS5.1B	1	224550510R2	
D7531	C-DIODE	1SS355	1	223269R2	
D7532	C-DIODE	1SS355	1	223269R2	
D7560	C-DIODE	1SS355	1	223269R2	
D7561	C-DIODE	1SS355	1	223269R2	
D7570	SPCF D	SIR-34ST3F	1	225456	

D7571	SPCF D	SIR-34ST3F	1	225456	
D7580	C-DIODE	ISS355	1	223269R2	
D7581	C-DIODE	ISS355	1	223269R2	
D7582	C-DIODE	ISS355	1	223269R2	
D7583	C-DIODE	ISS355	1	223269R2	
D7592	LED	SLR-342MGTE7P	1	225455T	
D7592 or	LED	SEL4410G	(1)	225454T	
D7592 or	LED	SEL4310G-D	(1)	225292DT	
D7593	LED	SLR-342MGTE7P	1	225455T	
D7593 or	LED	SEL4410G	(1)	225454T	
D7593 or	LED	SEL4310G-D	(1)	225292DT	
D7594	LED	SLI-343URC-TE7	1	225449T	<DD>
D7594	LED	SEL4910D-D	1	225291DT	<MA>
D7595	LED	SLI-343URC-TE7	1	225449T	<MA>
D9303	DIODE	D10XB60H	1	22380337F	
D9306	ZENER D	MTZJ22B	1	224472202T	
D9307	DIODE	ISS133	1	223163T	
D9308	DIODE	ISS133	1	223163T	
D9310	ZENER D	MTZJ24B	1	224472402T	
D9311	ZENER D	MTZJ5.1B	1	224470512T	
D9312	DIODE	RL1N4003	1	22380260T	
D9312 or	DIODE	GP104003E	(1)	22380035T	
D9313	DIODE	RL1N4003	1	22380260T	
D9313 or	DIODE	GP104003E	(1)	22380035T	
D9314	DIODE	RL1N4003	1	22380260T	
D9314 or	DIODE	GP104003E	(1)	22380035T	
D9315	DIODE	RL1N4003	1	22380260T	
D9315 or	DIODE	GP104003E	(1)	22380035T	
L7520	CHOK COIL	NCH-1561 022K	1	233526K022T	
L7530	CHOK COIL	NCH-1561 022K	1	233526K022T	
L7580	CHOK COIL	NCH-1561 022K	1	233526K022T	
L7581	CHOK COIL	NCH-1561 022K	1	233526K022T	
L7582	CHOK COIL	NCH-1561 022K	1	233526K022T	
C7501	C-CERA C	CK725B1H-223K1	1	332102235R1	
C7502	C-CERA C	CK725F1E-104Z1	1	332161040R1	
C7503	C-CERA C	CK725F1E-104Z1	1	332161040R1	
C7504	C-CERA C	CK725B1H-473K1	1	332104735R1	
C7505	C-CERA C	CK725B1H-473K1	1	332104735R1	
C7506	ELECT C	CE04W50V-33M	1	355783309T	
C7511	C-CERA C	CK725F1E-104Z1	1	332161040R1	
C7513	C-CERA C	CK725F1E-104Z1	1	332161040R1	
C7514	C-CERA C	CK725F1E-104Z1	1	332161040R1	
C7515	C-CERA C	CC725CH1H-180J1	1	342101804R1	
C7518	C-CERA C	CK725F1E-104Z1	1	332161040R1	
C7519	C-CERA C	CK725F1E-104Z1	1	332161040R1	
C7520	C-CERA C	CK725B1H-223K1	1	332102235R1	
C7521	UTSP C	CE04W10V-100M(UTSP)	1	397531017T	
C7522	C-CERA C	CC725CH1H-221J1	1	342102214R1	
C7523	C-CERA C	CC725CH1H-221J1	1	342102214R1	
C7524	C-CERA C	CK725B1H-102K1	1	332101025R1	
C7530	C-CERA C	CK725B1H-102K1	1	332101025R1	
C7531	C-CERA C	CK725B1H-102K1	1	332101025R1	
C7533	ELECT C	CE04W35V-47M	1	355764709T	
C7534	ELECT C	CE04W35V-47M	1	355764709T	
C7535	ELECT C	CE04W35V-10M(S)	1	353761009T	
C7536	C-CERA C	CC725CH1H-101J1	1	342101014R1	
C7537	C-CERA C	CC725CH1H-330J1	1	342103304R1	
C7538	ELECT C	CE04W35V-10M(S)	1	353761009T	
C7539	ELECT C	CE04W35V-10M(S)	1	353761009T	
C7540	ELECT C	CE04W35V-10M(S)	1	353761009T	
C7543	C-CERA C	CK725B1H-102K1	1	332101025R1	
C7560	ELECT C	CE04W6.3V-220M	1	355722219T	
C7561	C-CERA C	CK725B1H-102K1	1	332101025R1	
C7562	C-CERA C	CK725B1H-102K1	1	332101025R1	
C7580	C-CERA C	CK725B1H-102K1	1	332101025R1	
C7581	C-CERA C	CK725B1H-102K1	1	332101025R1	
C7582	C-CERA C	CK725B1H-102K1	1	332101025R1	
C7583	C-CERA C	CK725B1H-102K1	1	332101025R1	

C7590	C-CERA C	CK725B1H-103K1	1	332101035R1	
C7591	C-CERA C	CK725B1H-103K1	1	332101035R1	
C7900	C-CERA C	CK725F1E-104Z1	1	332161040R1	
C9302	VR C	CE04W16V-10000M(VR)	1	394641037S	
C9304	VR C	CE04W63V-470M(VR)	1	394674717S	
C9305	VR C	CE04W63V-47M(VR)	1	394674707T	
C9306	TF C	ECQ-B50V-223J	1	374722234T	
C9307	TF C	ECQ-V50V-334J	1	374723344T	
C9308	VR C	CE04W50V-4.7M(VR)	1	394680477T	
R7500	C-CARBON R	RN72K1J-221JE	1	435032214R1	
R7501	C-CARBON R	RN72K1J-221JE	1	435032214R1	
R7502	C-CARBON R	RN72K1J-273JE	1	435032734R1	
R7503	C-CARBON R	RN72K1J-222JE	1	435032224R1	
R7504	C-CARBON R	RN72K1J-222JE	1	435032224R1	
R7505	C-CARBON R	RN72K1J-222JE	1	435032224R1	
R7506	C-CARBON R	RN72K1J-222JE	1	435032224R1	
R7507	C-CARBON R	RN72K1J-222JE	1	435032224R1	
R7508	C-CARBON R	RN72K1J-222JE	1	435032224R1	
R7509	C-CARBON R	RN72K1J-222JE	1	435032224R1	
R7510	C-CARBON R	RN72K1J-222JE	1	435032224R1	
R7520	C-CARBON R	RN72K1J-221JE	1	435032214R1	
R7521	C-CARBON R	RN72K1J-331JE	1	435033314R1	
R7522	C-CARBON R	RN72K1J-331JE	1	435033314R1	
R7523	C-CARBON R	RN72K1J-750JE	1	435037504R1	
R7524	C-CARBON R	RN72K1J-750JE	1	435037504R1	
R7525	C-CARBON R	RN72K1J-750JE	1	435037504R1	
R7526	C-CARBON R	RN72K1J-223JE	1	435032234R1	
R7527	C-CARBON R	RN72K1J-223JE	1	435032234R1	
R7528	C-CARBON R	RN72K1J-224JE	1	435032244R1	
R7529	C-CARBON R	RN72K1J-224JE	1	435032244R1	
R7530	C-CARBON R	RN72K1J-472JE	1	435034724R1	
R7531	C-CARBON R	RN72K1J-101JE	1	435031014R1	
R7532	C-CARBON R	RN72K1J-331JE	1	435033314R1	
R7533	C-CARBON R	RN72K1J-182JE	1	435031824R1	
R7534	C-CARBON R	RN72K1J-104JE	1	435031044R1	
R7535	C-CARBON R	RN72K1J-102JE	1	435031024R1	
R7536	C-CARBON R	RN72K1J-333JE	1	435033334R1	
R7537	C-CARBON R	RN72K1J-333JE	1	435033334R1	
R7538	C-CARBON R	RN72K1J-221JE	1	435032214R1	
R7539	C-CARBON R	RN72K1J-221JE	1	435032214R1	
R7540	C-CARBON R	RN72K1J-473JE	1	435034734R1	
R7560	C-CARBON R	RN72K1J-102JE	1	435031024R1	
R7561	C-CARBON R	RN72K1J-101JE	1	435031014R1	
R7580	METAL O R	RS1WBJ-33	1	443623304T	
R7581	METAL O R	RS1WBJ-33	1	443623304T	
R7590	C-CARBON R	RN72K1J-103JE	1	435031034R1	
R7591	C-CARBON R	RN72K1J-103JE	1	435031034R1	
R7592	C-CARBON R	RN72K1J-103JE	1	435031034R1	
R7593	C-CARBON R	RN72K1J-103JE	1	435031034R1	
R7596	C-CARBON R	RN72K1J-331JE	1	435033314R1	
R7597	C-CARBON R	RN72K1J-331JE	1	435033314R1	
R7598	C-CARBON R	RN72K1J-102JE	1	435031024R1	<DD>
R7598	C-CARBON R	RN72K1J-221JE	1	435032214R1	<MA>
R7599	C-CARBON R	RN72K1J-102JE	1	435031024R1	<MA>
R7611	C-CARBON R	RN72K1J-271JE	1	435032714R1	
R7612	C-CARBON R	RN72K1J-331JE	1	435033314R1	
R7613	C-CARBON R	RN72K1J-471JE	1	435034714R1	
R7614	C-CARBON R	RN72K1J-561JE	1	435035614R1	
R7615	C-CARBON R	RN72K1J-821JE	1	435038214R1	
R7616	C-CARBON R	RN72K1J-122JE	1	435031224R1	
R7617	C-CARBON R	RN72K1J-222JE	1	435032224R1	
R7618	C-CARBON R	RN72K1J-392JE	1	435033924R1	
R7621	C-CARBON R	RN72K1J-271JE	1	435032714R1	
R7622	C-CARBON R	RN72K1J-331JE	1	435033314R1	
R7623	C-CARBON R	RN72K1J-471JE	1	435034714R1	
R7624	C-CARBON R	RN72K1J-561JE	1	435035614R1	
R7625	C-CARBON R	RN72K1J-821JE	1	435038214R1	
R7626	C-CARBON R	RN72K1J-122JE	1	435031224R1	

R7627	C-CARBON R	RN72K1J-222JE	1	435032224R1
R7628	C-CARBON R	RN72K1J-392JE	1	435033924R1
R7629	C-CARBON R	RN72K1J-123JE	1	435031234R1
R7631	C-CARBON R	RN72K1J-271JE	1	435032714R1
R7632	C-CARBON R	RN72K1J-331JE	1	435033314R1
R7633	C-CARBON R	RN72K1J-471JE	1	435034714R1
R7634	C-CARBON R	RN72K1J-561JE	1	435035614R1
R7635	C-CARBON R	RN72K1J-821JE	1	435038214R1
R7636	C-CARBON R	RN72K1J-122JE	1	435031224R1
R7637	C-CARBON R	RN72K1J-222JE	1	435032224R1
R7638	C-CARBON R	RN72K1J-392JE	1	435033924R1
R7639	C-CARBON R	RN72K1J-123JE	1	435031234R1
R7641	C-CARBON R	RN72K1J-271JE	1	435032714R1
R7642	C-CARBON R	RN72K1J-331JE	1	435033314R1
R7643	C-CARBON R	RN72K1J-471JE	1	435034714R1
R7644	C-CARBON R	RN72K1J-561JE	1	435035614R1
R7645	C-CARBON R	RN72K1J-821JE	1	435038214R1
R7646	C-CARBON R	RN72K1J-122JE	1	435031224R1
R7647	C-CARBON R	RN72K1J-222JE	1	435032224R1
R7648	C-CARBON R	RN72K1J-392JE	1	435033924R1
R7649	C-CARBON R	RN72K1J-123JE	1	435031234R1
R7939	C-CARBON R	RN72K1J-104JE	1	435031044R1
R7954	C-CARBON R	RN72K1J-104JE	1	435031044R1
R9304	NF CARBON R	R25J-10	1	415471004T
R9305	CARBON R	R16J-5.6K	1	417345624T
R9307	CARBON R	R16J-33K	1	417343334T
R9308	METAL R	RNU1/2WCJ-1	1	453530104T
R9309	CARBON R	R16J-10K	1	417341034T
R9310	NF CARBON R	R25J-10	1	415471004T
E7580	TRM	NTM-1P233(M1969)	1	25060302
F9301A	FUSE HOL	NSCT-1P2031	1	25052133T
F9301B	FUSE HOL	NSCT-1P2031	1	25052133T
JL4103B	SOCKET	NSCT-5P97	1	25050269
JL7560A	WIRE HOL	NSCT-3P874	1	25051087
JL7560B	WIRE HOL	NSCT-3P874	1	25051087
JL7590A	WIRE HOL	NSCT-10P881	1	25051094
JL7590B	WIRE HOL	NSCT-10P881	1	25051094
JL7591A	WIRE HOL	NSCT-4P875	1	25051088
JL7591B	WIRE HOL	NSCT-4P875	1	25051088
JL9303A	WIRE HOL	NSCT-4P875	1	25051088
JL9303B	WIRE TRAP	NPLG-4P587	1	25055625
JL9501B	SOCKET	NSCT-6P98	1	25050270
P7501B	SOCKET	NSCT-40P2170	1	25052273
P7522	PIN JACK	NPJ-7PDB603	1	25045823
P7530	ST JACK	MSJ-035-05C B AG GR type	1	25045880
P7530 or	JACK	LGT1516-0100	(1)	25045487
P7580	ST JACK	MSJ-064-05A GR	1	25045782
P9301A	PLUG	NPLG-6P120	1	25055136
S7590	R ENCODE	EVEHD1F3024B	1	25065695W
S7611	PUSH SW	NPS-111-S681	1	25035718T
S7611 or	PUSH SW	NPS-111-S677	(1)	25035714T
S7612	PUSH SW	NPS-111-S681	1	25035718T
S7612 or	PUSH SW	NPS-111-S677	(1)	25035714T
S7613	PUSH SW	NPS-111-S681	1	25035718T
S7613 or	PUSH SW	NPS-111-S677	(1)	25035714T
S7614	PUSH SW	NPS-111-S681	1	25035718T
S7614 or	PUSH SW	NPS-111-S677	(1)	25035714T
S7615	PUSH SW	NPS-111-S681	1	25035718T
S7615 or	PUSH SW	NPS-111-S677	(1)	25035714T
S7616	PUSH SW	NPS-111-S681	1	25035718T
S7616 or	PUSH SW	NPS-111-S677	(1)	25035714T
S7617	PUSH SW	NPS-111-S681	1	25035718T
S7617 or	PUSH SW	NPS-111-S677	(1)	25035714T
S7618	PUSH SW	NPS-111-S681	1	25035718T
S7618 or	PUSH SW	NPS-111-S677	(1)	25035714T
S7619	PUSH SW	NPS-111-S681	1	25035718T
S7619 or	PUSH SW	NPS-111-S677	(1)	25035714T
S7622	PUSH SW	NPS-111-S681	1	25035718T

S7622 or	PUSH SW	NPS-111-S677	(1)	25035714T
S7623	PUSH SW	NPS-111-S681	1	25035718T
S7623 or	PUSH SW	NPS-111-S677	(1)	25035714T
S7624	PUSH SW	NPS-111-S681	1	25035718T
S7624 or	PUSH SW	NPS-111-S677	(1)	25035714T
S7625	PUSH SW	NPS-111-S681	1	25035718T
S7625 or	PUSH SW	NPS-111-S677	(1)	25035714T
S7626	PUSH SW	NPS-111-S681	1	25035718T
S7626 or	PUSH SW	NPS-111-S677	(1)	25035714T
S7627	PUSH SW	NPS-111-S681	1	25035718T
S7627 or	PUSH SW	NPS-111-S677	(1)	25035714T
S7628	PUSH SW	NPS-111-S681	1	25035718T
S7628 or	PUSH SW	NPS-111-S677	(1)	25035714T
S7629	PUSH SW	NPS-111-S681	1	25035718T
S7629 or	PUSH SW	NPS-111-S677	(1)	25035714T
S7630	PUSH SW	NPS-111-S681	1	25035718T
S7630 or	PUSH SW	NPS-111-S677	(1)	25035714T
S7631	PUSH SW	NPS-111-S681	1	25035718T
S7631 or	PUSH SW	NPS-111-S677	(1)	25035714T
S7632	PUSH SW	NPS-111-S681	1	25035718T
S7632 or	PUSH SW	NPS-111-S677	(1)	25035714T
S7633	PUSH SW	NPS-111-S681	1	25035718T
S7633 or	PUSH SW	NPS-111-S677	(1)	25035714T
S7634	PUSH SW	NPS-111-S681	1	25035718T
S7634 or	PUSH SW	NPS-111-S677	(1)	25035714T
S7635	PUSH SW	NPS-111-S681	1	25035718T
S7635 or	PUSH SW	NPS-111-S677	(1)	25035714T
S7636	PUSH SW	NPS-111-S681	1	25035718T
S7636 or	PUSH SW	NPS-111-S677	(1)	25035714T
S7637	PUSH SW	NPS-111-S681	1	25035718T
S7637 or	PUSH SW	NPS-111-S677	(1)	25035714T
S7638	PUSH SW	NPS-111-S681	1	25035718T
S7638 or	PUSH SW	NPS-111-S677	(1)	25035714T
S7639	PUSH SW	NPS-111-S681	1	25035718T
S7639 or	PUSH SW	NPS-111-S677	(1)	25035714T
S7640	PUSH SW	NPS-111-S681	1	25035718T
S7640 or	PUSH SW	NPS-111-S677	(1)	25035714T
S7644	PUSH SW	NPS-111-S681	1	25035718T
S7644 or	PUSH SW	NPS-111-S677	(1)	25035714T
S7645	PUSH SW	NPS-111-S681	1	25035718T
S7645 or	PUSH SW	NPS-111-S677	(1)	25035714T
S7646	PUSH SW	NPS-111-S681	1	25035718T
S7646 or	PUSH SW	NPS-111-S677	(1)	25035714T
S7647	PUSH SW	NPS-111-S681	1	25035718T
S7647 or	PUSH SW	NPS-111-S677	(1)	25035714T
S7648	PUSH SW	NPS-111-S681	1	25035718T
S7648 or	PUSH SW	NPS-111-S677	(1)	25035714T
S7649	PUSH SW	NPS-111-S681	1	25035718T
S7649 or	PUSH SW	NPS-111-S677	(1)	25035714T
S7650	PUSH SW	NPS-111-S681	1	25035718T
S7650 or	PUSH SW	NPS-111-S677	(1)	25035714T

U25 BALANCE TERMINAL PC BOARD (NATRM-9108-1A/1B)

REF. NO.	PART NAME	DESCRIPTION	Q'TY	PART NO. (SN)	REMARKS
Q5001	TR	2SC1815-GR	1	2211255T	
Q5002	TR	2SC3851-Y	1	2203384	
Q5002 or	TR	2SD2394-E	(1)	2202705	
Q5003	TR	2SA1015-GR	1	2211455T	
Q5004	IC	NJM2388F09	1	22242383	
Q5005	TR	2SK365-GR	1	2212445T	
Q5006	TR	2SK365-GR	1	2212445T	
Q5007	TR	2SA1488-Y	1	2203394	
Q5007 or	TR	2SB1565-E	(1)	2202715	
Q5007A	HEAT SINK	RAD-165	1	27160500	
Q5007B	SCREW	3TTB+8B(3CM)SR	2	801637	
Q5009	TR	2SC1815-GR	1	2211255T	
Q5010	TR	2SA1015-GR	1	2211455T	

Q5011	TR	2SC3851-Y	1	2203384
Q5011 or	TR	2SD2394-E	(1)	2202705
Q5012	TR	2SA1488-Y	1	2203394
Q5012 or	TR	2SB1565-E	(1)	2202715
Q5012A	HEAT SINK	RAD-165	1	27160500
Q5012B	SCREW	3TTB+8B(3CM)SR	2	801637
Q5013	TR	2SK365-GR	1	2212445T
Q5014	TR	2SK365-GR	1	2212445T
Q5100	TR	2SD655-F	1	2211706T
Q5100 or	TR	2SD655-E	(1)	2211705T
Q5101	TR	2SD655-F	1	2211706T
Q5101 or	TR	2SD655-E	(1)	2211705T
Q5102	TR	2SD655-F	1	2211706T
Q5102 or	TR	2SD655-E	(1)	2211705T
Q5103	TR	2SD655-F	1	2211706T
Q5103 or	TR	2SD655-E	(1)	2211705T
Q5104	TR	2SD655-F	1	2211706T
Q5104 or	TR	2SD655-E	(1)	2211705T
Q5105	TR	2SD655-F	1	2211706T
Q5105 or	TR	2SD655-E	(1)	2211705T
Q5106	TR	2SD655-F	1	2211706T
Q5106 or	TR	2SD655-E	(1)	2211705T
Q5107	TR	2SD655-F	1	2211706T
Q5107 or	TR	2SD655-E	(1)	2211705T
Q5110	TR	2SD655-F	1	2211706T
Q5110 or	TR	2SD655-E	(1)	2211705T
Q5111	TR	2SD655-F	1	2211706T
Q5111 or	TR	2SD655-E	(1)	2211705T
Q5112	TR	2SD655-F	1	2211706T
Q5112 or	TR	2SD655-E	(1)	2211705T
Q5113	TR	2SD655-F	1	2211706T
Q5113 or	TR	2SD655-E	(1)	2211705T
Q5114	TR	2SD655-F	1	2211706T
Q5114 or	TR	2SD655-E	(1)	2211705T
Q5115	TR	2SD655-F	1	2211706T
Q5115 or	TR	2SD655-E	(1)	2211705T
Q5116	TR	2SD655-F	1	2211706T
Q5116 or	TR	2SD655-E	(1)	2211705T
Q5117	TR	2SD655-F	1	2211706T
Q5117 or	TR	2SD655-E	(1)	2211705T
Q5120	TR	2SD655-F	1	2211706T
Q5120 or	TR	2SD655-E	(1)	2211705T
Q5121	TR	2SD655-F	1	2211706T
Q5121 or	TR	2SD655-E	(1)	2211705T
Q5122	TR	2SD655-F	1	2211706T
Q5122 or	TR	2SD655-E	(1)	2211705T
Q5123	TR	2SD655-F	1	2211706T
Q5123 or	TR	2SD655-E	(1)	2211705T
Q5124	TR	2SD655-F	1	2211706T
Q5124 or	TR	2SD655-E	(1)	2211705T
Q5125	TR	2SD655-F	1	2211706T
Q5125 or	TR	2SD655-E	(1)	2211705T
Q5126	TR	2SD655-F	1	2211706T
Q5126 or	TR	2SD655-E	(1)	2211705T
Q5127	TR	2SD655-F	1	2211706T
Q5127 or	TR	2SD655-E	(1)	2211705T
Q5130	TR	2SD655-F	1	2211706T
Q5130 or	TR	2SD655-E	(1)	2211705T
Q5131	TR	2SD655-F	1	2211706T
Q5131 or	TR	2SD655-E	(1)	2211705T
Q5132	TR	2SD655-F	1	2211706T
Q5132 or	TR	2SD655-E	(1)	2211705T
Q5133	TR	2SD655-F	1	2211706T
Q5133 or	TR	2SD655-E	(1)	2211705T
Q5134	TR	2SD655-F	1	2211706T
Q5134 or	TR	2SD655-E	(1)	2211705T
Q5135	TR	2SD655-F	1	2211706T
Q5135 or	TR	2SD655-E	(1)	2211705T

Q5136	TR	2SD655-F	1	2211706T	
Q5136 or	TR	2SD655-E	(1)	2211705T	
Q5137	TR	2SD655-F	1	2211706T	
Q5137 or	TR	2SD655-E	(1)	2211705T	
Q5141	TR	2SC1815-GR	1	2211255T	
Q5142	TR	2SC1815-GR	1	2211255T	
Q5160	IC	NE5532AP(TI)	1	22242274	
Q5161	IC	NE5532AP(TI)	1	22242274	
Q5162	IC	NE5532AP(TI)	1	22242274	
Q5163	IC	NE5532AP(TI)	1	22242274	
Q5164	IC	NE5532AP(TI)	1	22242274	
Q5165	IC	NE5532AP(TI)	1	22242274	
Q5166	IC	NE5532AP(TI)	1	22242274	
Q5167	IC	NE5532AP(TI)	1	22242274	
Q5600	IC	NE5532AP(TI)	1	22242274	
Q5700	IC	TC74HC4052AP	1	22242425	
Q5800	IC	NE5532AP(TI)	1	22242274	
D5000	DIODE	D3SBA20	1	22380271F	
D5004	ZENER D	MTZJ15B	1	224471502T	
D5005	ZENER D	MTZJ15B	1	224471502T	
D5006	DIODE	D3SBA20	1	22380271F	<DD>
D5011	DIODE	D10XB60H	1	22380337F	
D5013	DIODE	D3SBA20	1	22380271F	
D5017	ZENER D	MTZJ15B	1	224471502T	
D5018	ZENER D	MTZJ15B	1	224471502T	
D5101	DIODE	1SS133	1	223163T	
D5102	DIODE	1SS133	1	223163T	
D5700	ZENER D	MTZJ5.1B	1	224470512T	
D5701	ZENER D	MTZJ5.1B	1	224470512T	
C5000	TF C	ECQ-V50V-104J	1	374721044T	
C5001	ELECT C	CE69W35V-8200M	1	3504457	
C5002	UTSP C	CE04W25V-100M(UTSP)	1	397551017T	
C5003	UTSP C	CE04W25V-100M(UTSP)	1	397551017T	
C5004	UTSP C	CE04W25V-100M(UTSP)	1	397551017T	
C5005	UTSP C	CE04W25V-100M(UTSP)	1	397551017T	
C5006	ELECT C	CE69W35V-8200M	1	3504457	
C5011	VR C	CE04W16V-4700M(VR)	1	394644727S	
C5013	UTSP C	CE04W50V-1M(UTSP)	1	397580107T	<MA>
C5014	UTSP C	CE04W25V-220M(UTSP)	1	397552217T	
C5015	TF C	ECQ-V50V-104J	1	374721044T	<DD>
C5016	VR C	CE04W25V-3300M(VR)	1	394653327S	<DD>
C5017	VR C	CE04W16V-6800M(VR)	1	394646827S	<DD>
C5023	TF C	ECQ-V50V-104J	1	374721044T	
C5024	ELECT C	CE69W35V-8200M	1	3504457	
C5025	ELECT C	CE69W35V-8200M	1	3504457	
C5026	UTSP C	CE04W25V-100M(UTSP)	1	397551017T	
C5027	UTSP C	CE04W25V-100M(UTSP)	1	397551017T	
C5028	UTSP C	CE04W25V-100M(UTSP)	1	397551017T	
C5029	UTSP C	CE04W25V-100M(UTSP)	1	397551017T	
C5030	TF C	ECQ-V50V-104J	1	374721044T	
C5100	TF C	ECQ-B50V-101J	1	374721014T	
C5101	TF C	ECQ-B50V-101J	1	374721014T	
C5102	TF C	ECQ-B50V-101J	1	374721014T	
C5103	TF C	ECQ-B50V-101J	1	374721014T	
C5104	TF C	ECQ-B50V-101J	1	374721014T	
C5105	TF C	ECQ-B50V-101J	1	374721014T	
C5106	TF C	ECQ-B50V-101J	1	374721014T	
C5107	TF C	ECQ-B50V-101J	1	374721014T	
C5120	UTSP C	CE04W50V 47M(UTSP)	1	397584707T	
C5121	UTSP C	CE04W50V 47M(UTSP)	1	397584707T	
C5122	UTSP C	CE04W50V 47M(UTSP)	1	397584707T	
C5123	UTSP C	CE04W50V 47M(UTSP)	1	397584707T	
C5124	UTSP C	CE04W50V 47M(UTSP)	1	397584707T	
C5125	UTSP C	CE04W50V 47M(UTSP)	1	397584707T	
C5126	UTSP C	CE04W50V 47M(UTSP)	1	397584707T	
C5127	UTSP C	CE04W50V 47M(UTSP)	1	397584707T	
C5170	UTSP C	CE04W50V 47M(UTSP)	1	397584707T	
C5171	UTSP C	CE04W50V 47M(UTSP)	1	397584707T	

C5276	TF C	ECQ-B50V-102J	1	374721024T	
C5277	TF C	ECQ-B50V-102J	1	374721024T	
C5281	TF C	ECQ-V50V-104J	1	374721044T	
C5282	TF C	ECQ-V50V-104J	1	374721044T	
C5300	UTSP C	CE04W25V-100M(UTSP)	1	397551017T	
C5301	UTSP C	CE04W25V-100M(UTSP)	1	397551017T	
C5302	UTSP C	CE04W25V-100M(UTSP)	1	397551017T	
C5303	UTSP C	CE04W25V-100M(UTSP)	1	397551017T	
C5304	UTSP C	CE04W25V-100M(UTSP)	1	397551017T	
C5305	UTSP C	CE04W25V-100M(UTSP)	1	397551017T	
C5306	UTSP C	CE04W25V-100M(UTSP)	1	397551017T	
C5307	UTSP C	CE04W25V-100M(UTSP)	1	397551017T	
C5310	UTSP C	CE04W25V-100M(UTSP)	1	397551017T	
C5311	UTSP C	CE04W25V-100M(UTSP)	1	397551017T	
C5312	UTSP C	CE04W25V-100M(UTSP)	1	397551017T	
C5313	UTSP C	CE04W25V-100M(UTSP)	1	397551017T	
C5314	UTSP C	CE04W25V-100M(UTSP)	1	397551017T	
C5315	UTSP C	CE04W25V-100M(UTSP)	1	397551017T	
C5316	UTSP C	CE04W25V-100M(UTSP)	1	397551017T	
C5317	UTSP C	CE04W25V-100M(UTSP)	1	397551017T	
C5600	TF C	ECQ-B50V-102J	1	374721024T	
C5601	TF C	ECQ-B50V-102J	1	374721024T	
C5610	UTSP C	CE04W50V 47M(UTSP)	1	397584707T	
C5611	UTSP C	CE04W50V 47M(UTSP)	1	397584707T	
C5620	UTSP C	CE04W50V 47M(UTSP)	1	397584707T	
C5621	UTSP C	CE04W50V 47M(UTSP)	1	397584707T	
C5630	UTSP C	CE04W25V-100M(UTSP)	1	397551017T	
C5631	UTSP C	CE04W25V-100M(UTSP)	1	397551017T	
C5640	UTSP C	CE04W50V 47M(UTSP)	1	397584707T	
C5641	UTSP C	CE04W50V 47M(UTSP)	1	397584707T	
C5700	UTSP C	CE04W25V-100M(UTSP)	1	397551017T	
C5701	UTSP C	CE04W25V-100M(UTSP)	1	397551017T	
C5800	UTSP C	CE04W50V 47M(UTSP)	1	397584707T	
C5801	UTSP C	CE04W50V 47M(UTSP)	1	397584707T	
C5802	UTSP C	CE04W25V-100M(UTSP)	1	397551017T	
C5803	UTSP C	CE04W25V-100M(UTSP)	1	397551017T	
R5000	METAL R	RNU1/2WCJ-0.22	1	453532294T	
R5002	CARBON R	R16J-330	1	417343314T	
R5003	METAL R	RNU1/2WCJ-0.22	1	453532294T	
R5005	CARBON R	R16J-330	1	417343314T	
R5011	METAL R	RNU1/2WCJ-1	1	453530104T	<DD>
R5012	METAL R	RNU1WCJ-1.5	1	453630154T	<DD>
R5017	METAL R	RNU1/2WCJ-0.22	1	453532294T	
R5019	CARBON R	R16J-330	1	417343314T	
R5020	METAL R	RNU1/2WCJ-0.22	1	453532294T	
R5022	CARBON R	R16J-330	1	417343314T	
R5025	METAL R	RNU1WCJ-1.5	1	453630154T	<DD>
R5027	METAL R	RNU1/2WCJ-0.22	1	453532294T	
R5028	METAL R	RNU1/2WCJ-0.22	1	453532294T	
R5030	METAL R	RNU1/2WCJ-0.22	1	453532294T	
R5031	METAL R	RNU1/2WCJ-0.39	1	453533994T	<DD>
R5032	METAL R	RNU1/2WCJ-0.39	1	453533994T	<DD>
R5100	CARBON R	R16J-27	1	417342704T	
R5101	CARBON R	R16J-27	1	417342704T	
R5102	CARBON R	R16J-27	1	417342704T	
R5103	CARBON R	R16J-27	1	417342704T	
R5104	CARBON R	R16J-27	1	417342704T	
R5105	CARBON R	R16J-27	1	417342704T	
R5106	CARBON R	R16J-27	1	417342704T	
R5107	CARBON R	R16J-27	1	417342704T	
R5110	CARBON R	R16J-100K	1	417341044T	
R5111	CARBON R	R16J-100K	1	417341044T	
R5112	CARBON R	R16J-100K	1	417341044T	
R5113	CARBON R	R16J-100K	1	417341044T	
R5114	CARBON R	R16J-100K	1	417341044T	
R5115	CARBON R	R16J-100K	1	417341044T	
R5116	CARBON R	R16J-100K	1	417341044T	
R5117	CARBON R	R16J-100K	1	417341044T	

R5306	CARBON R	R16J-100	1	417341014T	
R5307	CARBON R	R16J-100	1	417341014T	
R5310	CARBON R	R16J-100	1	417341014T	
R5311	CARBON R	R16J-100	1	417341014T	
R5312	CARBON R	R16J-100	1	417341014T	
R5313	CARBON R	R16J-100	1	417341014T	
R5314	CARBON R	R16J-100	1	417341014T	
R5315	CARBON R	R16J-100	1	417341014T	
R5316	CARBON R	R16J-100	1	417341014T	
R5317	CARBON R	R16J-100	1	417341014T	
R5321	CARBON R	R16J-100K	1	417341044T	
R5600	CARBON R	R16J-100	1	417341014T	
R5601	CARBON R	R16J-100K	1	417341044T	
R5610	CARBON R	R16J-100	1	417341014T	
R5611	CARBON R	R16J-100K	1	417341044T	
R5620	CARBON R	R16J-22K	1	417342234T	
R5621	CARBON R	R16J-22K	1	417342234T	
R5630	CARBON R	R16J-22K	1	417342234T	
R5631	CARBON R	R16J-22K	1	417342234T	
R5640	CARBON R	R16J-10K	1	417341034T	
R5641	CARBON R	R16J-10K	1	417341034T	
R5650	CARBON R	R16J-10K	1	417341034T	
R5651	CARBON R	R16J-10K	1	417341034T	
R5700	CARBON R	R16J-1.5K	1	417341524T	
R5701	CARBON R	R16J-1.5K	1	417341524T	
R5704	CARBON R	R16J-10K	1	417341034T	
R5705	CARBON R	R16J-10K	1	417341034T	
R5800	CARBON R	R16J-100	1	417341014T	
R5801	CARBON R	R16J-100	1	417341014T	
RL5100	RELAY	NRL-2P2A-DC12-178	1	25065664	
RL5101	RELAY	NRL-2P2A-DC12-178	1	25065664	
RL5102	RELAY	NRL-2P2A-DC12-178	1	25065664	
RL5103	RELAY	NRL-2P2A-DC12-178	1	25065664	
RL5104	RELAY	NRL-2P2A-DC12-178	1	25065664	
RL5105	RELAY	NRL-2P2A-DC12-178	1	25065664	
RL5106	RELAY	NRL-2P2A-DC12-178	1	25065664	
RL5107	RELAY	NRL-2P2A-DC12-178	1	25065664	
F5000A	FUSE HOL	NSCT-1P2031	1	25052133T	
F5000B	FUSE HOL	NSCT-1P2031	1	25052133T	
F5001A	FUSE HOL	NSCT-1P2031	1	25052133T	
F5001B	FUSE HOL	NSCT-1P2031	1	25052133T	
F5002A	FUSE HOL	NSCT-1P2031	1	25052133T	<DD>
F5002B	FUSE HOL	NSCT-1P2031	1	25052133T	<DD>
F5003A	FUSE HOL	NSCT-1P2031	1	25052133T	<DD>
F5003B	FUSE HOL	NSCT-1P2031	1	25052133T	<DD>
JL2601A	WIRE HOL	NSCT-3P874	1	25051087	
JL4014A	WIRE HOL	NSCT-6P897	1	25051110	
JL4015B	SOCKET	NSCT-4P96	1	25050268	
P3101B	SOCKET	IMSA-9142S-24A	1	25053234	
P3102B	SOCKET	IMSA-9142S-14A	1	25053229	
P3103B	SOCKET	IMSA-9142S-16A	1	25053230	
P5000A	SOCKET AS	NSAS-26P1612	1	2009991020UL	
P5001	PLUG	NPLG-8P122	1	25055138	
P5003	PLUG	NPLG-5P119	1	25055135	
P5010	RETAINER	(JOINT)	1	27142069	
P5080	RETAINER	(BUS-98)	1	27142077	
P5081	RETAINER	(BUS-98)	1	27142077	
P5082	RETAINER	(BUS-98)	1	27142077	
P5100	PLUG	NPLG-3P976	1	25056026	
P5101	PLUG	NPLG-3P976	1	25056026	
P5102	PLUG	NPLG-3P976	1	25056026	
P5103	PLUG	NPLG-3P976	1	25056026	
P5104	PLUG	NPLG-3P976	1	25056026	
P5105	PLUG	NPLG-3P976	1	25056026	
P5106	PLUG	NPLG-3P976	1	25056026	
P5107	PLUG	NPLG-3P976	1	25056026	
P5112B	PLUG	NPLG-2P116	1	25055132	
P5120A	CRIMP AS	CRIMP SR805_1	1	20799169UL	

P5600	SOCKET	NSCT-3P2649	1	25052753	
P5601	SOCKET	NSCT-3P2649	1	25052753	
P5A	SOCKET AS	NSAS-8P1692	1	200B3120820UL	<DD>
P6851B	SOCKET	IMSA-9142S-20A	1	25053232	
P6852B	SOCKET	IMSA-9142S-20A	1	25053232	
P6853B	SOCKET	IMSA-9142S-20A	1	25053232	

U26 HDMI PC BOARD (NAHDM-9114-1C)

REF. NO.	PART NAME	DESCRIPTION	Q'TY	PART NO. (SN)	REMARKS
U8001	IC	VX-50	1	22242392R3	
U8027	IC	HY5DU561622ETP-4-C	1	22242450R3	
U8028	IC	HY5DU561622ETP-4-C	1	22242450R3	
U8029	IC	HY5DU561622ETP-4-C	1	22242450R3	
U8030	IC	HY5DU561622ETP-4-C	1	22242450R3	
U8031	IC	S29GL128N10TFI020	1	222W0071R3	
U8067	IC	LP2996MX	1	22242438R2	
Q8101	IC	AD8196	1	22242408R2	
Q8102	TR	2SK3019	1	2216520R2	
Q8103	TR	2SK3019	1	2216520R2	
Q8104	IC	SN74CB3T3306DCT	1	22242454R2	
Q8105	IC	S-24CS02AFT-V-G	1	22242360R2	
Q8105 or	IC	BR24L02FV-W	(1)	22242069R2	
Q8108	TR	DTA144EE	1	2216380R2	
Q8109	TR	DTC144EE	1	2216390R2	
Q8124	IC	SN74CB3T3306DCT	1	22242454R2	
Q8125	IC	S-24CS02AFT-V-G	1	22242360R2	
Q8125 or	IC	BR24L02FV-W	(1)	22242069R2	
Q8128	TR	DTA144EE	1	2216380R2	
Q8129	TR	DTC144EE	1	2216390R2	
Q8151	IC	AD8196	1	22242408R2	
Q8152	TR	2SK3019	1	2216520R2	
Q8153	TR	2SK3019	1	2216520R2	
Q8154	IC	SN74CB3T3306DCT	1	22242454R2	
Q8155	IC	S-24CS02AFT-V-G	1	22242360R2	
Q8155 or	IC	BR24L02FV-W	(1)	22242069R2	
Q8158	TR	DTA144EE	1	2216380R2	
Q8159	TR	DTC144EE	1	2216390R2	
Q8174	IC	SN74CB3T3306DCT	1	22242454R2	
Q8175	IC	S-24CS02AFT-V-G	1	22242360R2	
Q8175 or	IC	BR24L02FV-W	(1)	22242069R2	
Q8178	TR	DTA144EE	1	2216380R2	
Q8179	TR	DTC144EE	1	2216390R2	
Q8305	IC	S-812C50BUC-C5ET2G	1	22242407R2	
Q8306	IC	TC7SZ08FU(TE85L_F)	1	22242071R2TO	
Q8309	TR ARRAY	UM6K1N	1	226066R2	
Q8355	IC	S-812C50BUC-C5ET2G	1	22242407R2	
Q8356	IC	TC7SZ08FU(TE85L_F)	1	22242071R2TO	
Q8359	TR ARRAY	UM6K1N	1	226066R2	
Q8401	IC	SI9134CTU	1	22242394R3	
Q8404	IC	XC6213B182MR	1	22242443R2	
Q8405	IC	SN74CB3Q3305PWR	1	22242258R2	
Q8451	IC	SI9134CTU	1	22242394R3	
Q8454	IC	XC6213B182MR	1	22242443R2	
Q8501	IC	SI9135CTU	1	22242393R3	
Q8502	IC	XC6213B332MR	1	22242277R2	
Q8595	IC	BA18BC0FP	1	22278018DR2RH	
Q8596	IC	BA18BC0FP	1	22278018DR2RH	
Q8597	IC	BA18BC0FP	1	22278018DR2RH	
Q8645	IC	BA18BC0FP	1	22278018DR2RH	
Q8701	IC	MPD70F3716GC-8EA	1	222W0054R3	
Q8800	IC	ADV7401	1	22242254R3	
Q8803	TR ARRAY	UM6K1N	1	226066R2	
Q8806	IC	BA18BC0FP	1	22278018DR2RH	
Q8807	IC	TC7WZU04FU(TE12L_F)	1	22242078R2TO	
Q8808	IC	TC74VCX162244FT(EL_F)	1	2227C244DR2TO	
Q8809	IC	TC74VCX162244FT(EL_F)	1	2227C244DR2TO	
Q8810	IC	TC74VCX162244FT(EL_F)	1	2227C244DR2TO	

Q8811	IC	TC74VCX162827	1	22242395R2
Q8812	IC	TC74VCX162827	1	22242395R2
Q8813	IC	TC74VCX162827	1	22242395R2
Q8814	IC	TC74VCX162827	1	22242395R2
Q8815	IC	TC74VCX162827	1	22242395R2
Q8816	IC	TC74VCX162827	1	22242395R2
Q8817	IC	TC74VCX162827	1	22242395R2
Q8818	IC	TC74VCX162827	1	22242395R2
Q8860	IC	MAX4018ESD	1	22241440R2
Q8861	IC	MAX4018ESD	1	22241440R2
Q8901	IC	ADV7320	1	22242398R3
Q8902	IC	NJM239IDL1-25	1	22278025DR2JR
Q8931	IC	NJU7313AM	1	22242211R2
Q8937	IC	LA7106M-TLM-E	1	22241465R2
Q8951	IC	SPI-8010A	1	22242437R2
Q8952	IC	SPI-8010A	1	22242437R2
Q8953	IC	SPI-8010A	1	22242437R2
Q8954	IC	SPI-8010A	1	22242437R2
Q8956	TR	DTC144EE	1	2216390R2
Q8957	TR	DTC144EE	1	2216390R2
Q8958	TR	DTC144EE	1	2216390R2
Q8959	TR	DTC144EE	1	2216390R2
Q8963	TR	DTC144EE	1	2216390R2
D8301	C-DIODE	ISS226(TE85L_F)	1	223266R2
D8302	C-DIODE	ISS352	1	223234R2
D8302 or	C-DIODE	ISS355	(1)	223269R2
D8303	C-DIODE	ISS352	1	223234R2
D8303 or	C-DIODE	ISS355	(1)	223269R2
D8351	C-DIODE	ISS226(TE85L_F)	1	223266R2
D8352	C-DIODE	ISS352	1	223234R2
D8352 or	C-DIODE	ISS355	(1)	223269R2
D8353	C-DIODE	ISS352	1	223234R2
D8353 or	C-DIODE	ISS355	(1)	223269R2
D8701	C-DIODE	ISS352	1	223234R2
D8701 or	C-DIODE	ISS355	(1)	223269R2
D8951	DIODE	RSX501L-20	1	22380359R2
D8952	DIODE	RSX501L-20	1	22380359R2
D8953	DIODE	RSX501L-20	1	22380359R2
D8954	DIODE	RSX501L-20	1	22380359R2
L8007	EMIFIL	BK1608LM182-T	1	230958R1
L8023	CHOKE COIL	BLM21PG221SN1	1	230949R2
L8042	C-CARBON R	RN72K1J-000JE	1	435030004R1
L8101	CHOKE COIL	LBC2518T4R7M	1	231364M047R2
L8102	CHOKE COIL	LBC2518T4R7M	1	231364M047R2
L8151	CHOKE COIL	LBC2518T4R7M	1	231364M047R2
L8152	CHOKE COIL	LBC2518T4R7M	1	231364M047R2
L8400	C-R NET	MNR12E0APJ000	1	43464900002R2
L8401	CHOKE COIL	BLM21PG221SN1	1	230949R2
L8402	CHOKE COIL	BLM21PG221SN1	1	230949R2
L8403	CHOKE COIL	BLM21PG221SN1	1	230949R2
L8404	CHOKE COIL	BLM21PG221SN1	1	230949R2
L8405	CHOKE COIL	BLM21PG221SN1	1	230949R2
L8406	C-R NET	MNR12E0APJ000	1	43464900002R2
L8407	C-R NET	MNR12E0APJ000	1	43464900002R2
L8408	CHOKE COIL	BLM21PG221SN1	1	230949R2
L8409	C-R NET	MNR12E0APJ000	1	43464900002R2
L8450	C-R NET	MNR12E0APJ000	1	43464900002R2
L8451	CHOKE COIL	BLM21PG221SN1	1	230949R2
L8452	CHOKE COIL	BLM21PG221SN1	1	230949R2
L8453	CHOKE COIL	BLM21PG221SN1	1	230949R2
L8454	CHOKE COIL	BLM21PG221SN1	1	230949R2
L8455	CHOKE COIL	BLM21PG221SN1	1	230949R2
L8456	C-R NET	MNR12E0APJ000	1	43464900002R2
L8457	C-R NET	MNR12E0APJ000	1	43464900002R2
L8458	CHOKE COIL	BLM21PG221SN1	1	230949R2
L8459	C-R NET	MNR12E0APJ000	1	43464900002R2
L8501	CHOKE COIL	BLM21PG221SN1	1	230949R2
L8502	CHOKE COIL	BLM21PG221SN1	1	230949R2

L8503	CHOKE COIL	BLM21PG221SN1	1	230949R2
L8504	CHOKE COIL	BLM21PG221SN1	1	230949R2
L8510	CHOKE COIL	BLM21PG221SN1	1	230949R2
L8604	CHOKE COIL	BLM21PG221SN1	1	230949R2
L8607	CHOKE COIL	BLM21PG221SN1	1	230949R2
L8608	EMIFIL	BK1608LL241-T	1	230959R1
L8701	CHOKE COIL	LBC2518T220M	1	231364M220R2
L8801	CHOKE COIL	LBC2518T2R2M	1	231364M022R2
L8802	CHOKE COIL	LBC2518T470M	1	231364M470R2
L8803	CHOKE COIL	LBC2518T2R2M	1	231364M022R2
L8804	CHOKE COIL	LBC2518T2R2M	1	231364M022R2
L8806	CHOKE COIL	LBC2518T2R2M	1	231364M022R2
L8807	EMIFIL	BK1608HS601-T	1	230984R1
L8810	C-CARBON R	RN72K1J-000JE	1	435030004R1
L8811	C-CARBON R	RN72K1J-000JE	1	435030004R1
L8812	C-CARBON R	RN72K1J-000JE	1	435030004R1
L8813	C-CARBON R	RN72K1J-000JE	1	435030004R1
L8814	C-CARBON R	RN72K1J-220JE	1	435032204R1
L8815	C-CARBON R	RN72K1J-000JE	1	435030004R1
L8851	CHOKE COIL	MLF2012DR47J	1	231380J479R1
L8852	CHOKE COIL	MLF2012DR47J	1	231380J479R1
L8853	CHOKE COIL	MLF2012DR47J	1	231380J479R1
L8854	CHOKE COIL	MLF2012DR22J	1	231380J229R1
L8855	CHOKE COIL	MLF2012DR22J	1	231380J229R1
L8856	CHOKE COIL	MLF2012DR22J	1	231380J229R1
L8901	CHOKE COIL	LBC2518T2R2M	1	231364M022R2
L8902	CHOKE COIL	LBC2518T2R2M	1	231364M022R2
L8903	CHOKE COIL	LBC2518T2R2M	1	231364M022R2
L8951	CHOKE COIL	RCP1317NP470M	1	231375M470
L8952	CHOKE COIL	RCP1317NP470M	1	231375M470
L8953	CHOKE COIL	RCP1317NP470M	1	231375M470
L8954	CHOKE COIL	RCP1317NP470M	1	231375M470
L8955	CHOKE COIL	BLM21PG221SN1	1	230949R2
L8956	CHOKE COIL	BLM21PG221SN1	1	230949R2
L8957	CHOKE COIL	BLM21PG221SN1	1	230949R2
L8958	CHOKE COIL	BLM21PG221SN1	1	230949R2
L8959	CHOKE COIL	BLM21PG221SN1	1	230949R2
L8960	CHOKE COIL	BLM21PG221SN1	1	230949R2
L8961	CHOKE COIL	BLM21PG221SN1	1	230949R2
L8962	CHOKE COIL	BLM21PG221SN1	1	230949R2
L8963	CHOKE COIL	BLM21PG221SN1	1	230949R2
X8002	CRYSTAL	FCX-03-27MHz	1	3010353R2
X8501	CRYSTAL	FCX-03 LF28.332MHz	1	3010451R2
X8701	CERA LOCK	CSTCR5M00G53-B0	1	3010356R2
X8801	CRYSTAL	FCX-03-28.6363MHz	1	3010408R2
C8001	C-CERA C	CK725B1H-102K1	1	332101025R1
C8003	CHIP ELECT C	CEWX4V-22M	1	3981G2207R2
C8004	C-CERA C	CK725F1A-105Z1	1	332181050R1
C8005	C-CERA C	CK725B1H-102K1	1	332101025R1
C8006	C-CERA C	CK725F1A-105Z1	1	332181050R1
C8007	C-CERA C	CK725B1H-102K1	1	332101025R1
C8008	C-CERA C	CK725F1A-105Z1	1	332181050R1
C8009	C-CERA C	CK725B1H-102K1	1	332101025R1
C8010	C-CERA C	CK725F1A-105Z1	1	332181050R1
C8011	C-CERA C	CK725B1H-102K1	1	332101025R1
C8012	C-CERA C	CK725F1A-105Z1	1	332181050R1
C8013	C-CERA C	CK725B1H-102K1	1	332101025R1
C8014	C-CERA C	CK725F1A-105Z1	1	332181050R1
C8015	C-CERA C	CK725B1H-102K1	1	332101025R1
C8016	C-CERA C	CK725F1A-105Z1	1	332181050R1
C8017	C-CERA C	CK725B1H-102K1	1	332101025R1
C8018	C-CERA C	CK725F1A-105Z1	1	332181050R1
C8019	C-CERA C	CK725B1H-102K1	1	332101025R1
C8020	CHIP ELECT C	CEWX4V-22M	1	3981G2207R2
C8021	C-CERA C	CK725F1A-105Z1	1	332181050R1
C8023	C-CERA C	CK725F1A-105Z1	1	332181050R1
C8024	C-CERA C	CK725B1H-102K1	1	332101025R1
C8025	C-CERA C	CK725F1A-105Z1	1	332181050R1

C8026	C-CERA C	CK725B1H-102K1	1	332101025R1
C8027	C-CERA C	CK725F1A-105Z1	1	332181050R1
C8028	C-CERA C	CK725B1H-102K1	1	332101025R1
C8029	C-CERA C	CK725F1A-105Z1	1	332181050R1
C8030	C-CERA C	CC725CH1H-102J1	1	342101024R1
C8031	C-CERA C	CC725CH1H-102J1	1	342101024R1
C8032	C-CERA C	CK725F1A-105Z1	1	332181050R1
C8033	C-CERA C	CK725F1A-105Z1	1	332181050R1
C8034	C-CERA C	CK725F1H-104Z1	1	332151040R1
C8035	C-CERA C	CK725F1A-105Z1	1	332181050R1
C8036	CHIP ELECT C	CEWX4V-100M	1	3981G1017R2
C8037	C-CERA C	CK725F1A-105Z1	1	332181050R1
C8040	C-CERA C	CC725CH1H-102J1	1	342101024R1
C8041	C-CERA C	CC725CH1H-102J1	1	342101024R1
C8043	C-CERA C	CK725F1A-105Z1	1	332181050R1
C8044	C-CERA C	CK725F1H-104Z1	1	332151040R1
C8045	C-CERA C	CK725F1A-105Z1	1	332181050R1
C8046	CHIP ELECT C	CEWX4V-100M	1	3981G1017R2
C8047	C-CERA C	CK725F1A-105Z1	1	332181050R1
C8051	C-CERA C	CK725B1H-102K1	1	332101025R1
C8053	CHIP ELECT C	CEWX4V-22M	1	3981G2207R2
C8054	C-CERA C	CK725F1A-105Z1	1	332181050R1
C8055	C-CERA C	CK725B1H-102K1	1	332101025R1
C8056	C-CERA C	CK725F1A-105Z1	1	332181050R1
C8057	C-CERA C	CK725B1H-102K1	1	332101025R1
C8058	C-CERA C	CK725F1A-105Z1	1	332181050R1
C8059	C-CERA C	CK725B1H-102K1	1	332101025R1
C8060	C-CERA C	CK725F1A-105Z1	1	332181050R1
C8061	C-CERA C	CK725B1H-102K1	1	332101025R1
C8062	C-CERA C	CK725F1A-105Z1	1	332181050R1
C8063	C-CERA C	CK725B1H-102K1	1	332101025R1
C8064	C-CERA C	CK725F1A-105Z1	1	332181050R1
C8065	C-CERA C	CK725B1H-102K1	1	332101025R1
C8066	C-CERA C	CK725F1A-105Z1	1	332181050R1
C8067	C-CERA C	CK725B1H-102K1	1	332101025R1
C8068	C-CERA C	CK725F1A-105Z1	1	332181050R1
C8069	C-CERA C	CK725B1H-102K1	1	332101025R1
C8070	CHIP ELECT C	CEWX4V-22M	1	3981G2207R2
C8071	C-CERA C	CK725F1A-105Z1	1	332181050R1
C8073	C-CERA C	CK725F1A-105Z1	1	332181050R1
C8074	C-CERA C	CK725B1H-102K1	1	332101025R1
C8075	C-CERA C	CK725F1A-105Z1	1	332181050R1
C8076	C-CERA C	CK725B1H-102K1	1	332101025R1
C8077	C-CERA C	CK725F1A-105Z1	1	332181050R1
C8078	C-CERA C	CK725B1H-102K1	1	332101025R1
C8079	C-CERA C	CK725F1A-105Z1	1	332181050R1
C8080	C-CERA C	CC725CH1H-102J1	1	342101024R1
C8081	C-CERA C	CC725CH1H-102J1	1	342101024R1
C8083	C-CERA C	CK725F1A-105Z1	1	332181050R1
C8084	C-CERA C	CK725F1H-104Z1	1	332151040R1
C8085	C-CERA C	CK725F1A-105Z1	1	332181050R1
C8086	CHIP ELECT C	CEWX4V-100M	1	3981G1017R2
C8087	C-CERA C	CK725F1A-105Z1	1	332181050R1
C8090	C-CERA C	CC725CH1H-102J1	1	342101024R1
C8091	C-CERA C	CC725CH1H-102J1	1	342101024R1
C8093	C-CERA C	CK725F1A-105Z1	1	332181050R1
C8094	C-CERA C	CK725F1H-104Z1	1	332151040R1
C8095	C-CERA C	CK725F1A-105Z1	1	332181050R1
C8096	CHIP ELECT C	CEWX4V-100M	1	3981G1017R2
C8097	C-CERA C	CK725F1A-105Z1	1	332181050R1
C8149	C-CERA C	CK725F1H-104Z1	1	332151040R1
C8150	C-CERA C	CK725F1H-104Z1	1	332151040R1
C8163	CHIP TANTAL	F93-6.3V-100M	1	395521017R2
C8163 or	CHIP TANTAL	TCSCS0J107MBAR	(1)	396521017R2
C8164	C-CERA C	CK725F1H-104Z1	1	332151040R1
C8165	CHIP TANTAL	F93-6.3V-100M	1	395521017R2
C8165 or	CHIP TANTAL	TCSCS0J107MBAR	(1)	396521017R2
C8166	C-CERA C	CK725F1H-104Z1	1	332151040R1

C8167	C-CERA C	CC725CH1H-180J1	1	342101804R1
C8168	C-CERA C	CC725CH1H-180J1	1	342101804R1
C8169	CHIP TANTAL	F93-6.3V-100M	1	395521017R2
C8169 or	CHIP TANTAL	TCSCS0J107MBAR	(1)	396521017R2
C8170	C-CERA C	CK725F1H-104Z1	1	332151040R1
C8171	CHIP TANTAL	F93-6.3V-100M	1	395521017R2
C8171 or	CHIP TANTAL	TCSCS0J107MBAR	(1)	396521017R2
C8172	C-CERA C	CK725F1H-104Z1	1	332151040R1
C8173	CHIP TANTAL	TCFGA-1C106M8R	1	396041007R2
C8173 or	CHIP TANTAL	TCSCS1C106MAAR	(1)	396541007R2
C8174	C-CERA C	CK725F1H-104Z1	1	332151040R1
C8175	C-CERA C	CK725F1H-104Z1	1	332151040R1
C8176	C-CERA C	CK725F1H-104Z1	1	332151040R1
C8177	C-CERA C	CK725F1H-104Z1	1	332151040R1
C8178	C-CERA C	CK725F1H-104Z1	1	332151040R1
C8179	C-CERA C	CK725F1H-104Z1	1	332151040R1
C8180	C-CERA C	CK725F1H-104Z1	1	332151040R1
C8181	C-CERA C	CK725F1H-104Z1	1	332151040R1
C8182	C-CERA C	CK725F1H-104Z1	1	332151040R1
C8183	C-CERA C	CK725F1H-104Z1	1	332151040R1
C8184	C-CERA C	CK725F1H-104Z1	1	332151040R1
C8185	C-CERA C	CK725F1H-104Z1	1	332151040R1
C8186	C-CERA C	CK725F1H-104Z1	1	332151040R1
C8187	C-CERA C	CK725F1H-104Z1	1	332151040R1
C8188	C-CERA C	CK725F1H-104Z1	1	332151040R1
C8189	C-CERA C	CK725F1H-104Z1	1	332151040R1
C8190	C-CERA C	CK725F1H-104Z1	1	332151040R1
C8191	C-CERA C	CK725F1H-104Z1	1	332151040R1
C8192	C-CERA C	CK725F1H-104Z1	1	332151040R1
C8193	C-CERA C	CK725F1H-104Z1	1	332151040R1
C8194	C-CERA C	CK725F1H-104Z1	1	332151040R1
C8195	C-CERA C	CK725F1H-104Z1	1	332151040R1
C8196	C-CERA C	CK725F1H-104Z1	1	332151040R1
C8197	C-CERA C	CK725F1H-104Z1	1	332151040R1
C8198	C-CERA C	CK725F1H-104Z1	1	332151040R1
C8199	C-CERA C	CK725F1H-104Z1	1	332151040R1
C8200	C-CERA C	CK725F1H-104Z1	1	332151040R1
C8201	C-CERA C	CK725F1H-104Z1	1	332151040R1
C8202	C-CERA C	CK725F1H-104Z1	1	332151040R1
C8203	CHIP TANTAL	TCFGA-1C106M8R	1	396041007R2
C8203 or	CHIP TANTAL	TCSCS1C106MAAR	(1)	396541007R2
C8204	C-CERA C	CK725F1H-104Z1	1	332151040R1
C8205	C-CERA C	CK725F1H-104Z1	1	332151040R1
C8206	C-CERA C	CK725F1H-104Z1	1	332151040R1
C8207	C-CERA C	CK725F1H-104Z1	1	332151040R1
C8208	C-CERA C	CK725F1H-104Z1	1	332151040R1
C8209	C-CERA C	CK725F1H-104Z1	1	332151040R1
C8210	C-CERA C	CK725F1H-104Z1	1	332151040R1
C8211	C-CERA C	CK725F1H-104Z1	1	332151040R1
C8212	C-CERA C	CK725F1H-104Z1	1	332151040R1
C8213	C-CERA C	CK725F1H-104Z1	1	332151040R1
C8214	C-CERA C	CK725F1H-104Z1	1	332151040R1
C8215	CHIP TANTAL	TCFGA-1C106M8R	1	396041007R2
C8215 or	CHIP TANTAL	TCSCS1C106MAAR	(1)	396541007R2
C8216	C-CERA C	CK725F1H-104Z1	1	332151040R1
C8217	C-CERA C	CK725F1H-104Z1	1	332151040R1
C8218	C-CERA C	CK725F1H-104Z1	1	332151040R1
C8219	C-CERA C	CK725F1H-104Z1	1	332151040R1
C8220	C-CERA C	CK725F1H-104Z1	1	332151040R1
C8221	C-CERA C	CK725F1H-104Z1	1	332151040R1
C8222	C-CERA C	CK725F1H-104Z1	1	332151040R1
C8223	CHIP TANTAL	TCFGA-1C106M8R	1	396041007R2
C8223 or	CHIP TANTAL	TCSCS1C106MAAR	(1)	396541007R2
C8224	C-CERA C	CK725F1H-104Z1	1	332151040R1
C8225	C-CERA C	CK725F1H-104Z1	1	332151040R1
C8226	C-CERA C	CK725F1H-104Z1	1	332151040R1
C8227	C-CERA C	CK725F1H-104Z1	1	332151040R1
C8228	C-CERA C	CK725F1H-104Z1	1	332151040R1

C8229	C-CERA C	CK725F1H-104Z1	1	332151040R1
C8230	C-CERA C	CK725F1H-104Z1	1	332151040R1
C8231	C-CERA C	CK725F1H-104Z1	1	332151040R1
C8232	C-CERA C	CK725F1H-104Z1	1	332151040R1
C8233	C-CERA C	CK725F1H-104Z1	1	332151040R1
C8234	CHIP TANTAL	TCFGA-1C106M8R	1	396041007R2
C8234 or	CHIP TANTAL	TCSCS1C106MAAR	(1)	396541007R2
C8235	C-CERA C	CK725F1H-104Z1	1	332151040R1
C8236	C-CERA C	CK725F1H-104Z1	1	332151040R1
C8237	C-CERA C	CK725F1H-104Z1	1	332151040R1
C8238	C-CERA C	CK725F1H-104Z1	1	332151040R1
C8239	C-CERA C	CK725F1H-104Z1	1	332151040R1
C8240	C-CERA C	CK725F1H-104Z1	1	332151040R1
C8241	C-CERA C	CK725F1H-104Z1	1	332151040R1
C8242	CHIP TANTAL	TCFGA-1C106M8R	1	396041007R2
C8242 or	CHIP TANTAL	TCSCS1C106MAAR	(1)	396541007R2
C8243	C-CERA C	CK725F1H-104Z1	1	332151040R1
C8244	C-CERA C	CK725F1H-104Z1	1	332151040R1
C8245	C-CERA C	CK725F1H-104Z1	1	332151040R1
C8246	C-CERA C	CK725F1H-104Z1	1	332151040R1
C8247	C-CERA C	CK725F1H-104Z1	1	332151040R1
C8248	C-CERA C	CK725F1H-104Z1	1	332151040R1
C8249	C-CERA C	CK725F1H-104Z1	1	332151040R1
C8250	C-CERA C	CK725F1H-104Z1	1	332151040R1
C8251	C-CERA C	CK725F1H-104Z1	1	332151040R1
C8252	C-CERA C	CK725F1H-104Z1	1	332151040R1
C8253	CHIP TANTAL	TCFGA-1C106M8R	1	396041007R2
C8253 or	CHIP TANTAL	TCSCS1C106MAAR	(1)	396541007R2
C8254	C-CERA C	CK725F1H-104Z1	1	332151040R1
C8255	C-CERA C	CK725F1H-104Z1	1	332151040R1
C8256	C-CERA C	CK725F1H-104Z1	1	332151040R1
C8257	C-CERA C	CK725F1H-104Z1	1	332151040R1
C8258	C-CERA C	CK725F1H-104Z1	1	332151040R1
C8259	C-CERA C	CK725F1H-104Z1	1	332151040R1
C8260	C-CERA C	CK725F1H-104Z1	1	332151040R1
C8261	CHIP TANTAL	F93-10V-220M	1	395532217R2
C8261 or	CHIP TANTAL	TCSCS1A227MDAR	(1)	396532217R2
C8262	C-CERA C	CK725F1H-104Z1	1	332151040R1
C8263	C-CERA C	CK725F1H-104Z1	1	332151040R1
C8264	C-CERA C	CK725F1H-104Z1	1	332151040R1
C8265	C-CERA C	CK725F1H-104Z1	1	332151040R1
C8266	C-CERA C	CK725F1H-104Z1	1	332151040R1
C8267	C-CERA C	CK725F1H-104Z1	1	332151040R1
C8268	C-CERA C	CK725F1H-104Z1	1	332151040R1
C8269	C-CERA C	CK725F1H-104Z1	1	332151040R1
C8270	C-CERA C	CK725F1H-104Z1	1	332151040R1
C8271	C-CERA C	CK725F1H-104Z1	1	332151040R1
C8272	C-CERA C	CK725F1H-104Z1	1	332151040R1
C8273	C-CERA C	CK725F1H-104Z1	1	332151040R1
C8274	CHIP TANTAL	TCFGA-1C106M8R	1	396041007R2
C8274 or	CHIP TANTAL	TCSCS1C106MAAR	(1)	396541007R2
C8275	C-CERA C	CK725F1H-104Z1	1	332151040R1
C8276	C-CERA C	CK725F1H-104Z1	1	332151040R1
C8277	C-CERA C	CK725F1H-104Z1	1	332151040R1
C8278	C-CERA C	CK725F1H-104Z1	1	332151040R1
C8279	C-CERA C	CK725F1H-104Z1	1	332151040R1
C8280	C-CERA C	CK725F1H-104Z1	1	332151040R1
C8281	C-CERA C	CK725F1H-104Z1	1	332151040R1
C8282	C-CERA C	CK725F1H-104Z1	1	332151040R1
C8283	C-CERA C	CK725F1H-104Z1	1	332151040R1
C8284	C-CERA C	CK725F1H-104Z1	1	332151040R1
C8285	C-CERA C	CK725F1H-104Z1	1	332151040R1
C8286	C-CERA C	CK725F1H-104Z1	1	332151040R1
C8287	C-CERA C	CK725F1H-104Z1	1	332151040R1
C8288	C-CERA C	CK725F1H-104Z1	1	332151040R1
C8289	C-CERA C	CK725F1H-104Z1	1	332151040R1
C8290	C-CERA C	CK725F1H-104Z1	1	332151040R1
C8291	C-CERA C	CK725F1H-104Z1	1	332151040R1

C8292	C-CERA C	CK725F1H-104Z1	1	332151040R1
C8293	C-CERA C	CK725F1H-104Z1	1	332151040R1
C8294	C-CERA C	CK725F1H-104Z1	1	332151040R1
C8295	C-CERA C	CK725F1H-104Z1	1	332151040R1
C8326	C-CERA C	CK725F1A-105Z1	1	332181050R1
C8327	C-CERA C	CK725F1A-105Z1	1	332181050R1
C8328	CHIP ELECT C	CEWX16V-22M	1	398142207R2
C8329	C-CERA C	CK725F1A-105Z1	1	332181050R1
C8330	C-CERA C	CK725F1A-105Z1	1	332181050R1
C8348	C-CERA C	CC725CH1H-102J1	1	342101024R1
C8376	C-CERA C	CK725F1A-105Z1	1	332181050R1
C8377	C-CERA C	CK725F1A-105Z1	1	332181050R1
C8378	CHIP ELECT C	CEWX16V-22M	1	398142207R2
C8379	C-CERA C	CK725F1A-105Z1	1	332181050R1
C8380	C-CERA C	CK725F1A-105Z1	1	332181050R1
C8398	C-CERA C	CC725CH1H-102J1	1	342101024R1
C8399	C-CERA C	CC725CH1H-102J1	1	342101024R1
C8401	CHIP ELECT C	CEWX4V-22M	1	3981G2207R2
C8402	CHIP ELECT C	CEWX4V-22M	1	3981G2207R2
C8403	C-CERA C	CK725F1A-105Z1	1	332181050R1
C8404	C-CERA C	CC725CH1H-102J1	1	342101024R1
C8405	C-CERA C	CK725F1A-105Z1	1	332181050R1
C8406	C-CERA C	CC725CH1H-102J1	1	342101024R1
C8407	C-CERA C	CK725CH1H-100D1	1	342101002R1
C8408	CHIP ELECT C	CEWX4V-22M	1	3981G2207R2
C8409	CHIP ELECT C	CEWX4V-22M	1	3981G2207R2
C8410	C-CERA C	CK725F1A-105Z1	1	332181050R1
C8411	C-CERA C	CC725CH1H-102J1	1	342101024R1
C8412	C-CERA C	CK725F1A-105Z1	1	332181050R1
C8413	C-CERA C	CC725CH1H-102J1	1	342101024R1
C8414	C-CERA C	CK725F1A-105Z1	1	332181050R1
C8415	C-CERA C	CC725CH1H-102J1	1	342101024R1
C8416	C-CERA C	CC725CH1H-102J1	1	342101024R1
C8417	C-CERA C	CK725F1A-105Z1	1	332181050R1
C8418	CHIP ELECT C	CEWX4V-22M	1	3981G2207R2
C8419	C-CERA C	CC725CH1H-102J1	1	342101024R1
C8420	C-CERA C	CK725F1A-105Z1	1	332181050R1
C8421	C-CERA C	CC725CH1H-102J1	1	342101024R1
C8422	C-CERA C	CK725F1A-105Z1	1	332181050R1
C8423	C-CERA C	CC725CH1H-102J1	1	342101024R1
C8424	C-CERA C	CK725F1A-105Z1	1	332181050R1
C8425	C-CERA C	CC725CH1H-102J1	1	342101024R1
C8426	C-CERA C	CK725F1A-105Z1	1	332181050R1
C8427	C-CERA C	CC725CH1H-102J1	1	342101024R1
C8428	C-CERA C	CK725F1A-105Z1	1	332181050R1
C8429	C-CERA C	CC725CH1H-102J1	1	342101024R1
C8430	C-CERA C	CK725F1A-105Z1	1	332181050R1
C8431	C-CERA C	CC725CH1H-102J1	1	342101024R1
C8432	C-CERA C	CK725F1A-105Z1	1	332181050R1
C8433	C-CERA C	CC725CH1H-102J1	1	342101024R1
C8434	C-CERA C	CK725F1A-105Z1	1	332181050R1
C8435	C-CERA C	CK725F1A-105Z1	1	332181050R1
C8441	C-CERA C	CK725F1A-105Z1	1	332181050R1
C8442	C-CERA C	CK725F1A-105Z1	1	332181050R1
C8443	CHIP ELECT C	CEWX4V-220M	1	3981G2217R2
C8444	C-CERA C	CK725F1A-105Z1	1	332181050R1
C8449	C-CERA C	CC725CH1H-102J1	1	342101024R1
C8451	CHIP TANTAL	TCFGA-1C106M8R	1	396041007R2
C8451 or	CHIP TANTAL	TCSCS1C106MAAR	(1)	396541007R2
C8452	CHIP TANTAL	TCFGA-1C106M8R	1	396041007R2
C8452 or	CHIP TANTAL	TCSCS1C106MAAR	(1)	396541007R2
C8453	C-CERA C	CK725F1A-105Z1	1	332181050R1
C8454	C-CERA C	CC725CH1H-102J1	1	342101024R1
C8455	C-CERA C	CK725F1A-105Z1	1	332181050R1
C8456	C-CERA C	CC725CH1H-102J1	1	342101024R1
C8457	C-CERA C	CC725CH1H-100D1	1	342101002R1
C8458	CHIP ELECT C	CEWX4V-22M	1	3981G2207R2
C8459	CHIP TANTAL	TCFGA-1C106M8R	1	396041007R2

C8459 or	CHIP TANTAL	TCSCS1C106MAAR	(1)	396541007R2
C8460	C-CERA C	CK725F1A-105Z1	1	332181050R1
C8461	C-CERA C	CC725CH1H-102J1	1	342101024R1
C8462	C-CERA C	CK725F1A-105Z1	1	332181050R1
C8463	C-CERA C	CC725CH1H-102J1	1	342101024R1
C8464	C-CERA C	CK725F1A-105Z1	1	332181050R1
C8465	C-CERA C	CC725CH1H-102J1	1	342101024R1
C8466	C-CERA C	CC725CH1H-102J1	1	342101024R1
C8467	C-CERA C	CK725F1A-105Z1	1	332181050R1
C8468	CHIP TANTAL	TCFGA-1C106M8R	1	396041007R2
C8468 or	CHIP TANTAL	TCSCS1C106MAAR	(1)	396541007R2
C8469	C-CERA C	CC725CH1H-102J1	1	342101024R1
C8470	C-CERA C	CK725F1A-105Z1	1	332181050R1
C8471	C-CERA C	CC725CH1H-102J1	1	342101024R1
C8472	C-CERA C	CK725F1A-105Z1	1	332181050R1
C8473	C-CERA C	CC725CH1H-102J1	1	342101024R1
C8474	C-CERA C	CK725F1A-105Z1	1	332181050R1
C8475	C-CERA C	CC725CH1H-102J1	1	342101024R1
C8476	C-CERA C	CK725F1A-105Z1	1	332181050R1
C8477	C-CERA C	CC725CH1H-102J1	1	342101024R1
C8478	C-CERA C	CK725F1A-105Z1	1	332181050R1
C8479	C-CERA C	CC725CH1H-102J1	1	342101024R1
C8480	C-CERA C	CK725F1A-105Z1	1	332181050R1
C8481	C-CERA C	CC725CH1H-102J1	1	342101024R1
C8482	C-CERA C	CK725F1A-105Z1	1	332181050R1
C8483	C-CERA C	CC725CH1H-102J1	1	342101024R1
C8484	C-CERA C	CK725F1A-105Z1	1	332181050R1
C8485	C-CERA C	CK725F1A-105Z1	1	332181050R1
C8491	C-CERA C	CK725F1A-105Z1	1	332181050R1
C8492	C-CERA C	CK725F1A-105Z1	1	332181050R1
C8493	CHIP ELECT C	CEWX4V-220M	1	3981G2217R2
C8501	C-CERA C	CK725F1A-105Z1	1	332181050R1
C8502	CHIP ELECT C	CEWX4V-22M	1	3981G2207R2
C8503	C-CERA C	CK725B1H-102K1	1	332101025R1
C8504	C-CERA C	CK725B1H-102K1	1	332101025R1
C8505	CHIP ELECT C	CEWX4V-22M	1	3981G2207R2
C8506	C-CERA C	CK725F1A-105Z1	1	332181050R1
C8507	C-CERA C	CK725B1H-102K1	1	332101025R1
C8508	C-CERA C	CK725F1A-105Z1	1	332181050R1
C8509	C-CERA C	CK725B1H-102K1	1	332101025R1
C8510	C-CERA C	CK725F1A-105Z1	1	332181050R1
C8511	C-CERA C	CK725B1H-102K1	1	332101025R1
C8512	C-CERA C	CK725F1A-105Z1	1	332181050R1
C8513	C-CERA C	CK725B1H-102K1	1	332101025R1
C8514	C-CERA C	CK725F1A-105Z1	1	332181050R1
C8515	C-CERA C	CK725B1H-102K1	1	332101025R1
C8516	C-CERA C	CK725F1A-105Z1	1	332181050R1
C8517	C-CERA C	CK725B1H-102K1	1	332101025R1
C8518	C-CERA C	CK725F1A-105Z1	1	332181050R1
C8519	C-CERA C	CK725B1H-102K1	1	332101025R1
C8520	C-CERA C	CK725F1A-105Z1	1	332181050R1
C8521	C-CERA C	CK725B1H-102K1	1	332101025R1
C8522	C-CERA C	CK725F1A-105Z1	1	332181050R1
C8523	C-CERA C	CK725B1H-102K1	1	332101025R1
C8524	C-CERA C	CK725F1A-105Z1	1	332181050R1
C8529	CHIP ELECT C	CEWX4V-22M	1	3981G2207R2
C8530	C-CERA C	CK725F1A-105Z1	1	332181050R1
C8531	C-CERA C	CK725B1H-102K1	1	332101025R1
C8532	C-CERA C	CK725F1A-105Z1	1	332181050R1
C8533	C-CERA C	CK725B1H-102K1	1	332101025R1
C8534	C-CERA C	CK725F1A-105Z1	1	332181050R1
C8535	C-CERA C	CK725B1H-102K1	1	332101025R1
C8536	C-CERA C	CK725F1A-105Z1	1	332181050R1
C8537	C-CERA C	CK725B1H-102K1	1	332101025R1
C8538	C-CERA C	CK725F1A-105Z1	1	332181050R1
C8539	C-CERA C	CK725B1H-102K1	1	332101025R1
C8540	C-CERA C	CK725F1A-105Z1	1	332181050R1
C8541	C-CERA C	CK725B1H-102K1	1	332101025R1

C8542	C-CERA C	CK725F1A-105Z1	1	332181050R1
C8543	C-CERA C	CK725B1H-102K1	1	332101025R1
C8544	C-CERA C	CK725F1A-105Z1	1	332181050R1
C8545	C-CERA C	CK725B1H-102K1	1	332101025R1
C8546	C-CERA C	CK725F1A-105Z1	1	332181050R1
C8547	C-CERA C	CK725B1H-102K1	1	332101025R1
C8548	C-CERA C	CK725F1A-105Z1	1	332181050R1
C8549	C-CERA C	CK725B1H-102K1	1	332101025R1
C8550	C-CERA C	CK725F1A-105Z1	1	332181050R1
C8551	C-CERA C	CK725B1H-102K1	1	332101025R1
C8552	C-CERA C	CK725F1A-105Z1	1	332181050R1
C8553	C-CERA C	CK725B1H-102K1	1	332101025R1
C8554	C-CERA C	CK725F1A-105Z1	1	332181050R1
C8555	C-CERA C	CK725B1H-102K1	1	332101025R1
C8556	C-CERA C	CK725F1A-105Z1	1	332181050R1
C8557	C-CERA C	CK725B1H-102K1	1	332101025R1
C8558	C-CERA C	CK725F1A-105Z1	1	332181050R1
C8559	C-CERA C	CK725B1H-102K1	1	332101025R1
C8560	C-CERA C	CK725F1A-105Z1	1	332181050R1
C8561	C-CERA C	CK725B1H-102K1	1	332101025R1
C8562	C-CERA C	CK725F1A-105Z1	1	332181050R1
C8563	C-CERA C	CK725B1H-102K1	1	332101025R1
C8564	CHIP ELECT C	CEWX4V-22M	1	3981G2207R2
C8565	CHIP ELECT C	CEWX4V-22M	1	3981G2207R2
C8566	C-CERA C	CK725B1H-102K1	1	332101025R1
C8567	C-CERA C	CK725F1A-105Z1	1	332181050R1
C8568	CHIP ELECT C	CEWX4V-22M	1	3981G2207R2
C8569	C-CERA C	CK725B1H-102K1	1	332101025R1
C8570	C-CERA C	CK725F1A-105Z1	1	332181050R1
C8571	CHIP ELECT C	CEWX4V-22M	1	3981G2207R2
C8572	C-CERA C	CK725B1H-102K1	1	332101025R1
C8573	C-CERA C	CK725F1A-105Z1	1	332181050R1
C8574	C-CERA C	CC725CH1H-120J1	1	342101204R1
C8575	C-CERA C	CC725CH1H-120J1	1	342101204R1
C8601	C-CERA C	CK725F1A-105Z1	1	332181050R1
C8602	CHIP ELECT C	CEWX4V-100M	1	3981G1017R2
C8604	C-CERA C	CK725F1A-105Z1	1	332181050R1
C8605	CHIP ELECT C	CEWX4V-220M	1	3981G2217R2
C8608	C-CERA C	CK725F1A-105Z1	1	332181050R1
C8609	CHIP ELECT C	CEWX4V-100M	1	3981G1017R2
C8675	CHIP ELECT C	CEWX4V-100M	1	3981G1017R2
C8676	C-CERA C	CK725F1A-105Z1	1	332181050R1
C8687	C-CERA C	CK725F1A-105Z1	1	332181050R1
C8701	C-CERA C	CK725F1A-105Z1	1	332181050R1
C8702	C-CERA C	CK725F1A-105Z1	1	332181050R1
C8703	C-CERA C	CK725F1A-105Z1	1	332181050R1
C8704	CHIP ELECT C	CEWX50V-4.7M	1	398180477R2
C8705	C-CERA C	CK725F1A-105Z1	1	332181050R1
C8706	C-CERA C	CK725F1A-105Z1	1	332181050R1
C8707	C-CERA C	CK725F1A-105Z1	1	332181050R1
C8708	C-CERA C	CK725F1A-105Z1	1	332181050R1
C8709	CHIP ELECT C	CEWX4V-220M	1	3981G2217R2
C8710	C-CERA C	CK725F1A-105Z1	1	332181050R1
C8725	CHIP ELECT C	CEWX4V-100M	1	3981G1017R2
C8726	C-CERA C	CK725F1A-105Z1	1	332181050R1
C8801	CHIP ELECT C	CEWX4V-100M	1	3981G1017R2
C8802	C-CERA C	CK725B1C-104K1	1	332121045R1
C8803	C-CERA C	CK725B1C-104K1	1	332121045R1
C8804	C-CERA C	CK725B1C-104K1	1	332121045R1
C8805	C-CERA C	CK725B1C-104K1	1	332121045R1
C8806	C-CERA C	CK725B1C-104K1	1	332121045R1
C8807	C-CERA C	CK725B1C-104K1	1	332121045R1
C8808	C-CERA C	CK725F1A-105Z1	1	332181050R1
C8809	C-CERA C	CK725F1A-105Z1	1	332181050R1
C8810	CHIP ELECT C	CEWX16V-10M	1	398141007R2
C8811	CHIP ELECT C	CEWX16V-10M	1	398141007R2
C8812	C-CERA C	CK725F1H-104Z1	1	332151040R1
C8813	C-CERA C	CK725F1H-104Z1	1	332151040R1

C8814	C-CERA C	CK725F1H-104Z1	1	332151040R1
C8815	C-CERA C	CK725F1H-104Z1	1	332151040R1
C8816	C-CERA C	CK725F1H-104Z1	1	332151040R1
C8817	CHIP ELECT C	CEWX16V-10M	1	398141007R2
C8818	CHIP ELECT C	CEWX16V-10M	1	398141007R2
C8819	C-CERA C	CC725CH1H-102J1	1	342101024R1
C8820	C-CERA C	CC725CH1H-101J1	1	342101014R1
C8821	C-CERA C	CK725F1H-104Z1	1	332151040R1
C8822	C-CERA C	CK725F1H-104Z1	1	332151040R1
C8823	C-CERA C	CK725F1H-104Z1	1	332151040R1
C8824	C-CERA C	CK725F1H-104Z1	1	332151040R1
C8825	C-CERA C	CK725F1H-104Z1	1	332151040R1
C8826	C-CERA C	CK725F1H-104Z1	1	332151040R1
C8827	C-CERA C	CK725B1H-223K1	1	332102235R1
C8828	C-CERA C	CK725B1C-823K1	1	332128235R1
C8829	C-CERA C	CK725F1H-104Z1	1	332151040R1
C8830	C-CERA C	CK725F1H-104Z1	1	332151040R1
C8831	C-CERA C	CK725F1H-104Z1	1	332151040R1
C8833	C-CERA C	CC725CH1H-070D1	1	342100702R1
C8834	C-CERA C	CC725CH1H-070D1	1	342100702R1
C8835	CHIP ELECT C	CEWX4V-100M	1	3981G1017R2
C8836	CHIP ELECT C	CEWX4V-100M	1	3981G1017R2
C8837	CHIP ELECT C	CEWX4V-100M	1	3981G1017R2
C8838	C-CERA C	CC725CH1H-470J1	1	342104704R1
C8839	C-CERA C	CC725CH1H-470J1	1	342104704R1
C8840	C-CERA C	CC725CH1H-470J1	1	342104704R1
C8841	CHIP ELECT C	CEWX16V-10M	1	398141007R2
C8843	CHIP ELECT C	CEWX4V-100M	1	3981G1017R2
C8848	C-CERA C	CC725CH1H-330J1	1	342103304R1
C8849	C-CERA C	CC725CH1H-330J1	1	342103304R1
C8850	C-CERA C	CC725CH1H-330J1	1	342103304R1
C8851	C-CERA C	CC725CH1H-820J1	1	342108204R1
C8852	C-CERA C	CC725CH1H-820J1	1	342108204R1
C8853	C-CERA C	CC725CH1H-820J1	1	342108204R1
C8854	C-CERA C	CK725F1H-104Z1	1	332151040R1
C8855	C-CERA C	CK725F1H-104Z1	1	332151040R1
C8856	C-CERA C	CK725F1H-104Z1	1	332151040R1
C8857	C-CERA C	CK725F1H-104Z1	1	332151040R1
C8858	C-CERA C	CK725F1H-104Z1	1	332151040R1
C8859	C-CERA C	CK725F1H-104Z1	1	332151040R1
C8860	C-CERA C	CK725F1H-104Z1	1	332151040R1
C8861	C-CERA C	CK725F1H-104Z1	1	332151040R1
C8862	C-CERA C	CK725F1H-104Z1	1	332151040R1
C8863	C-CERA C	CK725F1H-104Z1	1	332151040R1
C8864	C-CERA C	CK725F1H-104Z1	1	332151040R1
C8865	C-CERA C	CK725F1H-104Z1	1	332151040R1
C8866	C-CERA C	CK725F1H-104Z1	1	332151040R1
C8867	C-CERA C	CK725F1H-104Z1	1	332151040R1
C8868	C-CERA C	CK725F1H-104Z1	1	332151040R1
C8869	C-CERA C	CK725F1H-104Z1	1	332151040R1
C8870	C-CERA C	CK725F1H-104Z1	1	332151040R1
C8871	C-CERA C	CK725F1H-104Z1	1	332151040R1
C8872	C-CERA C	CK725F1H-104Z1	1	332151040R1
C8873	C-CERA C	CK725F1H-104Z1	1	332151040R1
C8874	C-CERA C	CK725F1H-104Z1	1	332151040R1
C8875	C-CERA C	CK725F1H-104Z1	1	332151040R1
C8876	C-CERA C	CK725F1H-104Z1	1	332151040R1
C8877	C-CERA C	CK725F1H-104Z1	1	332151040R1
C8878	C-CERA C	CK725F1H-104Z1	1	332151040R1
C8879	C-CERA C	CK725F1H-104Z1	1	332151040R1
C8880	C-CERA C	CK725F1H-104Z1	1	332151040R1
C8881	C-CERA C	CK725F1H-104Z1	1	332151040R1
C8882	C-CERA C	CK725F1H-104Z1	1	332151040R1
C8883	C-CERA C	CK725F1H-104Z1	1	332151040R1
C8884	C-CERA C	CK725F1H-104Z1	1	332151040R1
C8885	C-CERA C	CK725F1H-104Z1	1	332151040R1
C8886	C-CERA C	CK725F1H-104Z1	1	332151040R1
C8887	C-CERA C	CK725F1H-104Z1	1	332151040R1

C8888	C-CERA C	CK725F1H-104Z1	1	332151040R1
C8889	C-CERA C	CK725F1H-104Z1	1	332151040R1
C8890	C-CERA C	CK725F1H-104Z1	1	332151040R1
C8891	C-CERA C	CK725F1H-104Z1	1	332151040R1
C8892	C-CERA C	CK725F1H-104Z1	1	332151040R1
C8893	C-CERA C	CK725F1H-104Z1	1	332151040R1
C8894	C-CERA C	CK725F1H-104Z1	1	332151040R1
C8895	C-CERA C	CK725F1H-104Z1	1	332151040R1
C8896	C-CERA C	CK725F1H-104Z1	1	332151040R1
C8897	C-CERA C	CK725F1H-104Z1	1	332151040R1
C8898	C-CERA C	CK725F1H-104Z1	1	332151040R1
C8899	C-CERA C	CK725F1H-104Z1	1	332151040R1
C8901	C-CERA C	CK725F1A-105Z1	1	332181050R1
C8902	CHIP ELECT C	CEWX4V-220M	1	3981G2217R2
C8903	C-CERA C	CK725F1A-105Z1	1	332181050R1
C8904	C-CERA C	CK725F1A-105Z1	1	332181050R1
C8905	C-CERA C	CC725CH1H-102J1	1	342101024R1
C8906	C-FILM C	ECHU50V-392J	1	373023924R2
C8907	C-CERA C	CC725CH1H-821J1	1	342108214R1
C8908	C-CERA C	CK725B1C-104K1	1	332121045R1
C8909	C-CERA C	CK725F1A-105Z1	1	332181050R1
C8910	C-CERA C	CK725B1C-104K1	1	332121045R1
C8911	C-CERA C	CK725F1A-105Z1	1	332181050R1
C8912	C-CERA C	CK725F1A-105Z1	1	332181050R1
C8914	CHIP ELECT C	CEWX4V-220M	1	3981G2217R2
C8916	CHIP ELECT C	CEWX4V-220M	1	3981G2217R2
C8917	C-CERA C	CK725F1A-105Z1	1	332181050R1
C8918	CHIP ELECT C	CEWX16V-47M	1	398144707R2
C8919	CHIP TANTAL	F93-10V-47M	1	395534707R2
C8919 or	CHIP TANTAL	TCSCS1A476MBAR	(1)	396534707R2
C8920	C-CERA C	CK725F1H-104Z1	1	332151040R1
C8921	CHIP TANTAL	F93-10V-220M	1	395532217R2
C8921 or	CHIP TANTAL	TCSCS1A227MDAR	(1)	396532217R2
C8922	C-CERA C	CK725F1H-104Z1	1	332151040R1
C8923	C-CERA C	CK725F1H-104Z1	1	332151040R1
C8924	C-CERA C	CC725CH1H-120J1	1	342101204R1
C8925	C-CERA C	CC725CH1H-120J1	1	342101204R1
C8931	CHIP ELECT C	CEWX6.3V-330M	1	398123317R2
C8932	CHIP ELECT C	CEWX6.3V-330M	1	398123317R2
C8933	C-CERA C	CK725F1A-105Z1	1	332181050R1
C8934	C-CERA C	CK725F1H-103Z1	1	332151030R1
C8935	C-CERA C	CK725F1H-103Z1	1	332151030R1
C8950	C-CERA C	CK725F1H-104Z1	1	332151040R1
C8951	C-CERA C	CK725F1H-104Z1	1	332151040R1
C8952	CHIP TANTAL	TCFGA-1C106M8R	1	396041007R2
C8952 or	CHIP TANTAL	TCSCS1C106MAAR	(1)	396541007R2
C8955	CD C	UCD1A471MNL1GS	1	396634717R2
C8956	CD C	UCD1A471MNL1GS	1	396634717R2
C8957	CD C	UCD1A471MNL1GS	1	396634717R2
C8958	CD C	UCD1A471MNL1GS	1	396634717R2
C8959	C-CERA C	CK725B1H-682K1	1	332106825R1
C8960	C-CERA C	CK725B1H-682K1	1	332106825R1
C8961	C-CERA C	CK725B1H-682K1	1	332106825R1
C8962	C-CERA C	CK725B1H-682K1	1	332106825R1
C8963	C-CERA C	CK725B1H-223K1	1	332102235R1
C8964	C-CERA C	CC725CH1H-102J1	1	342101024R1
C8965	C-CERA C	CC725CH1H-102J1	1	342101024R1
C8966	C-CERA C	CC725CH1H-102J1	1	342101024R1
C8967	C-CERA C	CK725F1A-105Z1	1	332181050R1
C8968	C-CERA C	CK725F1A-105Z1	1	332181050R1
C8969	C-CERA C	CK725F1A-105Z1	1	332181050R1
C8970	C-CERA C	CK725F1A-105Z1	1	332181050R1
C8971	C-CERA C	CK725F1H-473Z1	1	332154730R1
C8972	C-CERA C	CK725F1H-473Z1	1	332154730R1
C8973	C-CERA C	CK725F1H-473Z1	1	332154730R1
C8974	C-CERA C	CK725F1H-473Z1	1	332154730R1
C8975	C-CERA C	CK725F1A-105Z1	1	332181050R1
C8976	C-CERA C	CK725F1A-105Z1	1	332181050R1

C8977	C-CERA C	CK725F1A-105Z1	1	332181050R1
C8978	C-CERA C	CK725F1A-105Z1	1	332181050R1
C8979	C-CERA C	CK725F1A-105Z1	1	332181050R1
C8980	C-CERA C	CK725F1A-105Z1	1	332181050R1
C8981	C-CERA C	CK725F1A-105Z1	1	332181050R1
C8982	C-CERA C	CK725F1A-105Z1	1	332181050R1
C8983	C-CERA C	CK725F1A-105Z1	1	332181050R1
C8984	C-CERA C	CK725F1A-105Z1	1	332181050R1
C8985	C-CERA C	CK725F1A-105Z1	1	332181050R1
C8986	C-CERA C	CK725F1A-105Z1	1	332181050R1
C8989	C-CERA C	CK725F1A-105Z1	1	332181050R1
C8990	C-CERA C	CK725F1A-105Z1	1	332181050R1
C8991	C-CERA C	CK725F1A-105Z1	1	332181050R1
C8992	C-CERA C	CK725F1A-105Z1	1	332181050R1
C8993	CD C	UCD1E221MNL1GS	1	396652217R2
C8994	CD C	UCD1E221MNL1GS	1	396652217R2
C8995	CD C	UCD1E221MNL1GS	1	396652217R2
C8996	CD C	UCD1E221MNL1GS	1	396652217R2
C8997	C-CERA C	CK725F1A-105Z1	1	332181050R1
C8998	C-CERA C	CK725F1A-105Z1	1	332181050R1
C8999	C-CERA C	CK725F1A-105Z1	1	332181050R1
R8001	C-CARBON R	RN72K1J-103JE	1	435031034R1
R8004	C-CARBON R	RN72K1J-472JE	1	435034724R1
R8005	C-CARBON R	RN72K1J-103JE	1	435031034R1
R8006	C-CARBON R	RN72K1J-330JE	1	435033304R1
R8012	C-CARBON R	RN72K1J-473JE	1	435034734R1
R8013	C-CARBON R	RN72K1J-102JE	1	435031024R1
R8014	C-CARBON R	RN72K1J-562JE	1	435035624R1
R8015	C-CARBON R	RN72K1J-562JE	1	435035624R1
R8016	C-CARBON R	RN72K1J-000JE	1	435030004R1
R8018	C-CARBON R	RN72K1J-473JE	1	435034734R1
R8019	C-CARBON R	RN72K1J-000JE	1	435030004R1
R8020	C-CARBON R	RN72K1J-000JE	1	435030004R1
R8021	C-CARBON R	RN72K1J-000JE	1	435030004R1
R8023	C-CARBON R	RN72K1J-473JE	1	435034734R1
R8032	C-CARBON R	RN72K1J-473JE	1	435034734R1
R8033	C-CARBON R	RN72K1J-102JE	1	435031024R1
R8034	C-CARBON R	RN72K1J-562JE	1	435035624R1
R8035	C-CARBON R	RN72K1J-562JE	1	435035624R1
R8036	C-CARBON R	RN72K1J-000JE	1	435030004R1
R8038	C-CARBON R	RN72K1J-473JE	1	435034734R1
R8039	C-CARBON R	RN72K1J-000JE	1	435030004R1
R8040	C-CARBON R	RN72K1J-000JE	1	435030004R1
R8041	C-CARBON R	RN72K1J-000JE	1	435030004R1
R8043	C-CARBON R	RN72K1J-473JE	1	435034734R1
R8051	C-CARBON R	RN72K1J-103JE	1	435031034R1
R8054	C-CARBON R	RN72K1J-472JE	1	435034724R1
R8055	C-CARBON R	RN72K1J-103JE	1	435031034R1
R8062	C-CARBON R	RN72K1J-473JE	1	435034734R1
R8063	C-CARBON R	RN72K1J-102JE	1	435031024R1
R8064	C-CARBON R	RN72K1J-562JE	1	435035624R1
R8065	C-CARBON R	RN72K1J-562JE	1	435035624R1
R8066	C-CARBON R	RN72K1J-000JE	1	435030004R1
R8068	C-CARBON R	RN72K1J-473JE	1	435034734R1
R8069	C-CARBON R	RN72K1J-000JE	1	435030004R1
R8070	C-CARBON R	RN72K1J-000JE	1	435030004R1
R8071	C-CARBON R	RN72K1J-000JE	1	435030004R1
R8073	C-CARBON R	RN72K1J-473JE	1	435034734R1
R8082	C-CARBON R	RN72K1J-473JE	1	435034734R1
R8083	C-CARBON R	RN72K1J-102JE	1	435031024R1
R8084	C-CARBON R	RN72K1J-562JE	1	435035624R1
R8085	C-CARBON R	RN72K1J-562JE	1	435035624R1
R8086	C-CARBON R	RN72K1J-000JE	1	435030004R1
R8088	C-CARBON R	RN72K1J-473JE	1	435034734R1
R8089	C-CARBON R	RN72K1J-000JE	1	435030004R1
R8090	C-CARBON R	RN72K1J-000JE	1	435030004R1
R8091	C-CARBON R	RN72K1J-000JE	1	435030004R1
R8093	C-CARBON R	RN72K1J-473JE	1	435034734R1

R8099	C-CARBON R	RN72K1J-330JE	1	435033304R1
R8106	C-CARBON R	RN72K1J-103JE	1	435031034R1
R8107	C-CARBON R	RN72K1J-103JE	1	435031034R1
R8110	C-CARBON R	RN72K1J-470JE	1	435034704R1
R8111	C-CARBON R	RN72K1J-101JE	1	435031014R1
R8112	C-CARBON R	RN72K1J-101JE	1	435031014R1
R8113	C-CARBON R	RN72K1J-103JE	1	435031034R1
R8114	C-CARBON R	RN72K1J-101JE	1	435031014R1
R8115	C-CARBON R	RN72K1J-101JE	1	435031014R1
R8116	C-CARBON R	RN72K1J-103JE	1	435031034R1
R8118	C-CARBON R	RN72K1J-103JE	1	435031034R1
R8119	C-CARBON R	RN72K1J-332JE	1	435033324R1
R8120	C-CARBON R	RN72K2B-000JE	1	433220004R1
R8121	C-CARBON R	RN72K1J-331JE	1	435033314R1
R8122	C-CARBON R	RN72K2B-000JE	1	433220004R1
R8123	C-CARBON R	RN72K1J-000JE	1	435030004R1
R8124	C-CARBON R	RN72K1J-103JE	1	435031034R1
R8125	C-CARBON R	RN72K1J-103JE	1	435031034R1
R8126	C-CARBON R	RN72K1J-271JE	1	435032714R1
R8127	C-CARBON R	RN72K1J-103JE	1	435031034R1
R8128	C-CARBON R	RN72K1J-750FE	1	435037502R1
R8129	C-CARBON R	RN72K1J-103JE	1	435031034R1
R8130	C-CARBON R	RN72K1J-750FE	1	435037502R1
R8136	C-CARBON R	RN72K1J-331JE	1	435033314R1
R8140	C-CARBON R	RN72K1J-331JE	1	435033314R1
R8141	C-CARBON R	RN72K1J-331JE	1	435033314R1
R8147	C-CARBON R	RN72K1J-103JE	1	435031034R1
R8149	C-CARBON R	RN72K1J-103JE	1	435031034R1
R8150	C-CARBON R	RN72K1J-103JE	1	435031034R1
R8151	C-CARBON R	RN72K1J-103JE	1	435031034R1
R8154	C-CARBON R	RN72K1J-000JE	1	435030004R1
R8157	C-CARBON R	RN72K1J-103JE	1	435031034R1
R8158	C-CARBON R	RN72K1J-103JE	1	435031034R1
R8168	C-CARBON R	RN72K1J-000JE	1	435030004R1
R8197	C-CARBON R	RN72K1J-472JE	1	435034724R1
R8198	C-CARBON R	RN72K1J-331JE	1	435033314R1
R8251	C-CARBON R	RN72K1J-103JE	1	435031034R1
R8323	C-CARBON R	RN72K1J-103JE	1	435031034R1
R8324	C-CARBON R	RN72K1J-472JE	1	435034724R1
R8325	C-CARBON R	RN72K1J-473JE	1	435034734R1
R8326	C-CARBON R	RN72K1J-473JE	1	435034734R1
R8334	C-CARBON R	RN72K1J-222JE	1	435032224R1
R8335	C-CARBON R	RN72K1J-222JE	1	435032224R1
R8341	C-CARBON R	RN72K2E-470JE	1	435224704R1
R8373	C-CARBON R	RN72K1J-103JE	1	435031034R1
R8374	C-CARBON R	RN72K1J-472JE	1	435034724R1
R8375	C-CARBON R	RN72K1J-473JE	1	435034734R1
R8376	C-CARBON R	RN72K1J-473JE	1	435034734R1
R8384	C-CARBON R	RN72K1J-222JE	1	435032224R1
R8385	C-CARBON R	RN72K1J-222JE	1	435032224R1
R8391	C-CARBON R	RN72K2E-470JE	1	435224704R1
R8401	C-R NET	RM7LJ220X04	1	43484722004R2
R8402	C-CARBON R	RN72K1J-220JE	1	435032204R1
R8403	C-R NET	RM7LJ220X04	1	43484722004R2
R8404	C-CARBON R	RN72K1J-220JE	1	435032204R1
R8405	C-CARBON R	RN72K1J-220JE	1	435032204R1
R8406	C-R NET	RM7LJ220X04	1	43484722004R2
R8407	C-R NET	RM7LJ220X04	1	43484722004R2
R8409	C-CARBON R	RN72K1J-472JE	1	435034724R1
R8410	C-CARBON R	RN72K1J-681FE	1	435036812R1
R8411	C-CARBON R	RN72K1J-472JE	1	435034724R1
R8416	C-R NET	RM7LJ220X04	1	43484722004R2
R8417	C-R NET	RM7LJ220X04	1	43484722004R2
R8418	C-R NET	RM7LJ220X04	1	43484722004R2
R8419	C-R NET	RM7LJ220X04	1	43484722004R2
R8420	C-R NET	RM7LJ220X04	1	43484722004R2
R8421	C-R NET	RM7LJ220X04	1	43484722004R2
R8422	C-R NET	RM7LJ220X04	1	43484722004R2

R8423	C-R NET	RM7LJ220X04	1	43484722004R2
R8424	C-R NET	RM7LJ220X04	1	43484722004R2
R8425	C-CARBON R	RN72K1J-220JE	1	435032204R1
R8429	C-CARBON R	RN72K1J-220JE	1	435032204R1
R8431	C-CARBON R	RN72K1J-472JE	1	435034724R1
R8432	C-CARBON R	RN72K1J-220JE	1	435032204R1
R8442	C-CARBON R	RN72K1J-102JE	1	435031024R1
R8443	C-CARBON R	RN72K1J-220JE	1	435032204R1
R8444	C-CARBON R	RN72K1J-000JE	1	435030004R1
R8446	C-CARBON R	RN72K1J-000JE	1	435030004R1
R8447	C-CARBON R	RN72K1J-000JE	1	435030004R1
R8451	C-R NET	RM7LJ220X04	1	43484722004R2
R8452	C-CARBON R	RN72K1J-220JE	1	435032204R1
R8453	C-R NET	RM7LJ220X04	1	43484722004R2
R8454	C-CARBON R	RN72K1J-220JE	1	435032204R1
R8455	C-CARBON R	RN72K1J-220JE	1	435032204R1
R8456	C-R NET	RM7LJ220X04	1	43484722004R2
R8457	C-R NET	RM7LJ220X04	1	43484722004R2
R8459	C-CARBON R	RN72K1J-472JE	1	435034724R1
R8460	C-CARBON R	RN72K1J-681FE	1	435036812R1
R8462	C-CARBON R	RN72K1J-472JE	1	435034724R1
R8466	C-R NET	RM7LJ220X04	1	43484722004R2
R8467	C-R NET	RM7LJ220X04	1	43484722004R2
R8468	C-R NET	RM7LJ220X04	1	43484722004R2
R8469	C-R NET	RM7LJ220X04	1	43484722004R2
R8470	C-R NET	RM7LJ220X04	1	43484722004R2
R8471	C-R NET	RM7LJ220X04	1	43484722004R2
R8472	C-R NET	RM7LJ220X04	1	43484722004R2
R8473	C-R NET	RM7LJ220X04	1	43484722004R2
R8474	C-R NET	RM7LJ220X04	1	43484722004R2
R8475	C-CARBON R	RN72K1J-220JE	1	435032204R1
R8479	C-CARBON R	RN72K1J-220JE	1	435032204R1
R8481	C-CARBON R	RN72K1J-472JE	1	435034724R1
R8482	C-CARBON R	RN72K1J-220JE	1	435032204R1
R8492	C-CARBON R	RN72K1J-102JE	1	435031024R1
R8493	C-CARBON R	RN72K1J-220JE	1	435032204R1
R8503	C-R NET	RM7LJ330X04	1	43484733004R2
R8504	C-R NET	RM7LJ330X04	1	43484733004R2
R8505	C-R NET	RM7LJ330X04	1	43484733004R2
R8506	C-CARBON R	RN72K1J-120JE	1	435031204R1
R8507	C-R NET	RM7LJ330X04	1	43484733004R2
R8508	C-R NET	RM7LJ330X04	1	43484733004R2
R8509	C-R NET	RM7LJ330X04	1	43484733004R2
R8510	C-R NET	RM7LJ330X04	1	43484733004R2
R8511	C-R NET	RM7LJ330X04	1	43484733004R2
R8512	C-R NET	RM7LJ330X04	1	43484733004R2
R8513	C-R NET	RM7LJ330X04	1	43484733004R2
R8514	C-CARBON R	RN72K1J-472JE	1	435034724R1
R8515	C-CARBON R	RN72K1J-472JE	1	435034724R1
R8516	C-CARBON R	RN72K1J-101JE	1	435031014R1
R8517	C-CARBON R	RN72K1J-101JE	1	435031014R1
R8518	C-CARBON R	RN72K1J-472JE	1	435034724R1
R8519	C-CARBON R	RN72K1J-470JE	1	435034704R1
R8520	C-CARBON R	RN72K1J-330JE	1	435033304R1
R8521	C-R NET	RM7LJ330X04	1	43484733004R2
R8522	C-CARBON R	RN72K1J-330JE	1	435033304R1
R8523	C-CARBON R	RN72K1J-330JE	1	435033304R1
R8524	C-CARBON R	RN72K1J-330JE	1	435033304R1
R8615	C-CARBON R	RN72K1J-332JE	1	435033324R1
R8616	C-CARBON R	RN72K1J-332JE	1	435033324R1
R8617	C-CARBON R	RN72K1J-332JE	1	435033324R1
R8618	C-CARBON R	RN72K1J-332JE	1	435033324R1
R8629	C-CARBON R	RN72K1J-473JE	1	435034734R1
R8630	C-CARBON R	RN72K1J-473JE	1	435034734R1
R8631	C-CARBON R	RN72K1J-473JE	1	435034734R1
R8632	C-CARBON R	RN72K1J-473JE	1	435034734R1
R8633	C-CARBON R	RN72K1J-102JE	1	435031024R1
R8662	C-CARBON R	RN72K1J-105JE	1	435031054R1

R8663	C-CARBON R	RN72K1J-561JE	1	435035614R1
R8701	C-CARBON R	RN72K1J-472JE	1	435034724R1
R8703	C-CARBON R	RN72K1J-472JE	1	435034724R1
R8706	C-CARBON R	RN72K1J-103JE	1	435031034R1
R8707	C-CARBON R	RN72K1J-103JE	1	435031034R1
R8708	C-CARBON R	RN72K1J-000JE	1	435030004R1
R8710	C-CARBON R	RN72K1J-103JE	1	435031034R1
R8711	C-CARBON R	RN72K1J-222JE	1	435032224R1
R8712	C-CARBON R	RN72K1J-222JE	1	435032224R1
R8713	C-CARBON R	RN72K1J-103JE	1	435031034R1
R8714	C-CARBON R	RN72K1J-103JE	1	435031034R1
R8715	C-CARBON R	RN72K1J-220JE	1	435032204R1
R8716	C-CARBON R	RN72K1J-220JE	1	435032204R1
R8717	C-CARBON R	RN72K1J-330JE	1	435033304R1
R8718	C-CARBON R	RN72K1J-220JE	1	435032204R1
R8719	C-CARBON R	RN72K1J-220JE	1	435032204R1
R8720	C-CARBON R	RN72K1J-220JE	1	435032204R1
R8721	C-CARBON R	RN72K1J-220JE	1	435032204R1
R8722	C-CARBON R	RN72K1J-103JE	1	435031034R1
R8723	C-R NET	RM7LJ222X04	1	43484722204R2
R8726	C-R NET	RM7LJ222X04	1	43484722204R2
R8727	C-R NET	RM7LJ103X04	1	43484710304R2
R8728	C-CARBON R	RN72K1J-220JE	1	435032204R1
R8729	C-CARBON R	RN72K1J-103JE	1	435031034R1
R8730	C-CARBON R	RN72K1J-103JE	1	435031034R1
R8732	C-CARBON R	RN72K1J-220JE	1	435032204R1
R8733	C-CARBON R	RN72K1J-000JE	1	435030004R1
R8734	C-CARBON R	RN72K1J-000JE	1	435030004R1
R8735	C-CARBON R	RN72K1J-472JE	1	435034724R1
R8736	C-R NET	RM7LJ220X04	1	43484722004R2
R8737	C-CARBON R	RN72K1J-472JE	1	435034724R1
R8738	C-CARBON R	RN72K1J-473JE	1	435034734R1
R8741	C-CARBON R	RN72K1J-103JE	1	435031034R1
R8744	C-CARBON R	RN72K1J-472JE	1	435034724R1
R8745	C-CARBON R	RN72K1J-220JE	1	435032204R1
R8746	C-CARBON R	RN72K1J-103JE	1	435031034R1
R8747	C-CARBON R	RN72K1J-220JE	1	435032204R1
R8748	C-CARBON R	RN72K1J-220JE	1	435032204R1
R8749	C-R NET	RM7LJ220X04	1	43484722004R2
R8750	C-R NET	RM7LJ103X04	1	43484710304R2
R8751	C-CARBON R	RN72K1J-103JE	1	435031034R1
R8752	C-R NET	RM7LJ220X04	1	43484722004R2
R8753	C-R NET	RM7LJ220X04	1	43484722004R2
R8758	C-CARBON R	RN72K1J-220JE	1	435032204R1
R8759	C-CARBON R	RN72K1J-103JE	1	435031034R1
R8760	C-CARBON R	RN72K1J-103JE	1	435031034R1
R8761	C-CARBON R	RN72K1J-220JE	1	435032204R1
R8762	C-CARBON R	RN72K1J-103JE	1	435031034R1
R8763	C-R NET	RM7LJ103X04	1	43484710304R2
R8765	C-CARBON R	RN72K1J-103JE	1	435031034R1
R8766	C-R NET	RM7LJ103X04	1	43484710304R2
R8769	C-R NET	RM7LJ103X04	1	43484710304R2
R8770	C-R NET	RM7LJ103X04	1	43484710304R2
R8800	C-CARBON R	RN72K1J-561JE	1	435035614R1
R8801	C-CARBON R	RN72K1J-000JE	1	435030004R1
R8802	C-CARBON R	RN72K1J-000JE	1	435030004R1
R8803	EMIFIL	BK1608HS601-T	1	230984R1
R8804	C-CARBON R	RN72K1J-000JE	1	435030004R1
R8805	EMIFIL	BK1608HS601-T	1	230984R1
R8806	C-CARBON R	RN72K1J-000JE	1	435030004R1
R8807	C-CARBON R	RN72K1J-560JE	1	435035604R1
R8808	C-CARBON R	RN72K1J-104JE	1	435031044R1
R8809	C-CARBON R	RN72K1J-560JE	1	435035604R1
R8810	C-CARBON R	RN72K1J-104JE	1	435031044R1
R8811	C-CARBON R	RN72K1J-560JE	1	435035604R1
R8812	C-CARBON R	RN72K1J-104JE	1	435031044R1
R8813	C-CARBON R	RN72K1J-272FE	1	435032722R1
R8814	C-CARBON R	RN72K1J-102JE	1	435031024R1

R8815	C-CARBON R	RN72K1J-272FE	1	435032722R1
R8816	C-CARBON R	RN72K1J-472JE	1	435034724R1
R8817	C-CARBON R	RN72K1J-472JE	1	435034724R1
R8819	C-CARBON R	RN72K1J-472JE	1	435034724R1
R8820	C-CARBON R	RN72K1J-333JE	1	435033334R1
R8821	C-CARBON R	RN72K1J-182JE	1	435031824R1
R8823	C-R NET	RM7LJ220X04	1	43484722004R2
R8824	C-CARBON R	RN72K1J-220JE	1	435032204R1
R8825	C-CARBON R	RN72K1J-220JE	1	435032204R1
R8826	C-CARBON R	RN72K1J-220JE	1	435032204R1
R8827	C-CARBON R	RN72K1J-105JE	1	435031054R1
R8828	C-CARBON R	RN72K1J-220JE	1	435032204R1
R8830	C-R NET	RM7LJ220X04	1	43484722004R2
R8831	C-R NET	RM7LJ220X04	1	43484722004R2
R8833	C-CARBON R	RN72K1J-220JE	1	435032204R1
R8834	C-R NET	RM7LJ220X04	1	43484722004R2
R8835	C-CARBON R	RN72K1J-220JE	1	435032204R1
R8836	C-CARBON R	RN72K1J-220JE	1	435032204R1
R8837	C-R NET	RM7LJ220X04	1	43484722004R2
R8838	C-R NET	RM7LJ220X04	1	43484722004R2
R8839	C-R NET	RM7LJ220X04	1	43484722004R2
R8840	C-R NET	RM7LJ220X04	1	43484722004R2
R8841	C-R NET	RM7LJ220X04	1	43484722004R2
R8842	C-CARBON R	RN72K1J-220JE	1	435032204R1
R8843	C-CARBON R	RN72K1J-000JE	1	435030004R1
R8844	C-CARBON R	RN72K1J-180JE	1	435031804R1
R8845	C-CARBON R	RN72K1J-000JE	1	435030004R1
R8846	C-CARBON R	RN72K1J-180JE	1	435031804R1
R8847	C-CARBON R	RN72K1J-000JE	1	435030004R1
R8848	C-CARBON R	RN72K1J-680JE	1	435036804R1
R8849	C-CARBON R	RN72K1J-180JE	1	435031804R1
R8850	C-CARBON R	RN72K1J-222JE	1	435032224R1
R8851	C-CARBON R	RN72K1J-331JE	1	435033314R1
R8852	C-CARBON R	RN72K1J-331JE	1	435033314R1
R8853	C-CARBON R	RN72K1J-331JE	1	435033314R1
R8854	C-CARBON R	RN72K1J-332JE	1	435033324R1
R8855	C-CARBON R	RN72K1J-332JE	1	435033324R1
R8856	C-CARBON R	RN72K1J-332JE	1	435033324R1
R8857	C-CARBON R	RN72K1J-105JE	1	435031054R1
R8858	C-CARBON R	RN72K1J-000JE	1	435030004R1
R8860	C-CARBON R	RN72K1J-220JE	1	435032204R1
R8861	C-CARBON R	RN72K1J-220JE	1	435032204R1
R8862	C-CARBON R	RN72K1J-220JE	1	435032204R1
R8863	C-CARBON R	RN72K1J-750FE	1	435037502R1
R8864	C-CARBON R	RN72K1J-750FE	1	435037502R1
R8865	C-CARBON R	RN72K1J-750FE	1	435037502R1
R8869	C-CARBON R	RN72K1J-750FE	1	435037502R1
R8870	C-CARBON R	RN72K1J-750FE	1	435037502R1
R8871	C-CARBON R	RN72K1J-750FE	1	435037502R1
R8872	C-CARBON R	RN72K1J-471FE	1	435034712R1
R8873	C-CARBON R	RN72K1J-471FE	1	435034712R1
R8874	C-CARBON R	RN72K1J-471FE	1	435034712R1
R8879	C-CARBON R	RN72K1J-471FE	1	435034712R1
R8880	C-CARBON R	RN72K1J-471FE	1	435034712R1
R8881	C-CARBON R	RN72K1J-471FE	1	435034712R1
R8882	C-CARBON R	RN72K1J-000JE	1	435030004R1
R8883	C-CARBON R	RN72K1J-000JE	1	435030004R1
R8890	C-CARBON R	RN72K1J-000JE	1	435030004R1
R8891	C-CARBON R	RN72K1J-104JE	1	435031044R1
R8892	C-CARBON R	RN72K1J-104JE	1	435031044R1
R8893	C-CARBON R	RN72K1J-103JE	1	435031034R1
R8901	C-CARBON R	RN72K1J-103JE	1	435031034R1
R8905	C-CARBON R	RN72K1J-470JE	1	435034704R1
R8906	C-CARBON R	RN72K1J-470JE	1	435034704R1
R8907	C-CARBON R	RN72K1J-470JE	1	435034704R1
R8908	C-CARBON R	RN72K1J-681FE	1	435036812R1
R8909	C-CARBON R	RN72K1J-681FE	1	435036812R1
R8910	C-CARBON R	RN72K1J-681FE	1	435036812R1

R8911	C-CARBON R	RN72K1J-272FE	1	435032722R1
R8912	C-CARBON R	RN72K1J-272FE	1	435032722R1
R8913	C-CARBON R	RN72K1J-681FE	1	435036812R1
R8914	C-CARBON R	RN72K1J-681FE	1	435036812R1
R8915	C-CARBON R	RN72K1J-470JE	1	435034704R1
R8917	C-CARBON R	RN72K1J-470JE	1	435034704R1
R8919	C-CARBON R	RN72K1J-470JE	1	435034704R1
R8920	C-CARBON R	RN72K1J-470JE	1	435034704R1
R8921	C-R NET	RM7LJ470X04	1	43484747004R2
R8922	C-R NET	RM7LJ470X04	1	43484747004R2
R8923	C-R NET	RM7LJ470X04	1	43484747004R2
R8924	C-R NET	RM7LJ470X04	1	43484747004R2
R8925	C-R NET	RM7LJ470X04	1	43484747004R2
R8926	C-R NET	RM7LJ470X04	1	43484747004R2
R8927	C-R NET	RM7LJ470X04	1	43484747004R2
R8928	C-R NET	RM7LJ470X04	1	43484747004R2
R8929	C-CARBON R	RN72K1J-220JE	1	435032204R1
R8930	C-CARBON R	RN72K1J-220JE	1	435032204R1
R8931	C-CARBON R	RN72K1J-151FE	1	435031512R1
R8932	C-CARBON R	RN72K1J-151FE	1	435031512R1
R8933	C-CARBON R	RN72K1J-151FE	1	435031512R1
R8934	C-CARBON R	RN72K1J-152JE	1	435031524R1
R8935	C-CARBON R	RN72K1J-152JE	1	435031524R1
R8936	C-CARBON R	RN72K1J-182JE	1	435031824R1
R8937	C-R NET	RM7LJ473X04	1	43484747304R2
R8938	C-R NET	RM7LJ473X04	1	43484747304R2
R8939	C-R NET	RM7LJ473X04	1	43484747304R2
R8940	C-R NET	RM7LJ473X04	1	43484747304R2
R8941	C-R NET	RM7LJ222X04	1	43484722204R2
R8942	C-CARBON R	RN72K1J-472JE	1	435034724R1
R8951	C-CARBON R	RN72K1J-470JE	1	435034704R1
R8952	C-CARBON R	RN72K1J-470JE	1	435034704R1
R8953	C-CARBON R	RN72K1J-470JE	1	435034704R1
R8954	C-CARBON R	RN72K1J-470JE	1	435034704R1
R8955	C-CARBON R	RN72K1J-121JE	1	435031214R1
R8956	C-CARBON R	RN72K1J-152JE	1	435031524R1
R8957	C-CARBON R	RN72K1J-152JE	1	435031524R1
R8958	C-CARBON R	RN72K1J-222JE	1	435032224R1
R8959	C-CARBON R	RN72K1J-102JE	1	435031024R1
R8960	C-CARBON R	RN72K1J-102JE	1	435031024R1
R8961	C-CARBON R	RN72K1J-471FE	1	435034712R1
R8962	C-CARBON R	RN72K1J-102JE	1	435031024R1
R8964	C-CARBON R	RN72K1J-152JE	1	435031524R1
R8965	C-CARBON R	RN72K1J-392JE	1	435033924R1
R8966	C-CARBON R	RN72K1J-223JE	1	435032234R1
R8967	C-CARBON R	RN72K1J-102JE	1	435031024R1
R8968	C-CARBON R	RN72K1J-102JE	1	435031024R1
R8970	C-CARBON R	RN72K1J-102JE	1	435031024R1
RN8013	C-R NET	RM7LJ330X04	1	43484733004R2
RN8014	C-R NET	RM7LJ330X04	1	43484733004R2
RN8015	C-R NET	RM7LJ330X04	1	43484733004R2
RN8016	C-R NET	RM7LJ330X04	1	43484733004R2
RN8017	C-R NET	RM7LJ330X04	1	43484733004R2
RN8018	C-R NET	RM7LJ330X04	1	43484733004R2
RN8019	C-R NET	RM7LJ330X04	1	43484733004R2
RN8020	C-R NET	RM7LJ330X04	1	43484733004R2
RN8021	C-R NET	RM7LJ330X04	1	43484733004R2
RN8022	C-R NET	RM7LJ330X04	1	43484733004R2
RN8023	C-R NET	RM7LJ330X04	1	43484733004R2
RN8024	C-R NET	RM7LJ330X04	1	43484733004R2
RN8025	C-R NET	RM7LJ330X04	1	43484733004R2
RN8026	C-R NET	RM7LJ330X04	1	43484733004R2
RN8027	C-R NET	RM7LJ330X04	1	43484733004R2
RN8028	C-R NET	RM7LJ330X04	1	43484733004R2
RN8029	C-R NET	RM7LJ330X04	1	43484733004R2
RN8030	C-R NET	RM7LJ330X04	1	43484733004R2
RN8037	C-R NET	RM7LJ330X04	1	43484733004R2
RN8038	C-R NET	RM7LJ330X04	1	43484733004R2

RN8039	C-R NET	RM7LJ330X04	1	43484733004R2	
RN8041	C-R NET	RM7LJ330X04	1	43484733004R2	
RN8043	C-R NET	RM7LJ330X04	1	43484733004R2	
RN8045	C-R NET	RM7LJ330X04	1	43484733004R2	
RN8048	C-R NET	RM7LJ330X04	1	43484733004R2	
RN8049	C-R NET	RM7LJ330X04	1	43484733004R2	
RN8050	C-R NET	RM7LJ330X04	1	43484733004R2	
RN8051	C-R NET	RM7LJ330X04	1	43484733004R2	
RN8052	C-R NET	RM7LJ330X04	1	43484733004R2	
RN8053	C-R NET	RM7LJ330X04	1	43484733004R2	
RN8054	C-R NET	RM7LJ330X04	1	43484733004R2	
RN8055	C-R NET	RM7LJ330X04	1	43484733004R2	
RN8056	C-R NET	RM7LJ330X04	1	43484733004R2	
RN8057	C-R NET	RM7LJ330X04	1	43484733004R2	
RN8058	C-R NET	RM7LJ330X04	1	43484733004R2	
RN8059	C-R NET	RM7LJ330X04	1	43484733004R2	
RN8060	C-R NET	RM7LJ330X04	1	43484733004R2	
RN8061	C-R NET	RM7LJ330X04	1	43484733004R2	
RN8062	C-R NET	RM7LJ680X04	1	43484768004R2	
RN8063	C-R NET	RM7LJ470X04	1	43484747004R2	
RN8064	C-R NET	RM7LJ680X04	1	43484768004R2	
RN8065	C-R NET	RM7LJ470X04	1	43484747004R2	
RN8066	C-R NET	RM7LJ680X04	1	43484768004R2	
RN8067	C-R NET	RM7LJ470X04	1	43484747004R2	
RN8068	C-R NET	RM7LJ680X04	1	43484768004R2	
RN8069	C-R NET	RM7LJ470X04	1	43484747004R2	
RN8070	C-R NET	RM7LJ680X04	1	43484768004R2	
RN8071	C-R NET	RM7LJ680X04	1	43484768004R2	
RN8072	C-R NET	RM7LJ470X04	1	43484747004R2	
RN8073	C-R NET	RM7LJ680X04	1	43484768004R2	
RN8074	C-R NET	RM7LJ470X04	1	43484747004R2	
RN8075	C-R NET	RM7LJ680X04	1	43484768004R2	
RN8076	C-R NET	RM7LJ680X04	1	43484768004R2	
RN8077	C-R NET	RM7LJ680X04	1	43484768004R2	
RN8078	C-R NET	RM7LJ680X04	1	43484768004R2	
RN8079	C-R NET	RM7LJ680X04	1	43484768004R2	
RN8080	C-R NET	RM7LJ680X04	1	43484768004R2	
RN8081	C-R NET	RM7LJ680X04	1	43484768004R2	
RN8082	C-R NET	RM7LJ680X04	1	43484768004R2	
RN8083	C-R NET	RM7LJ680X04	1	43484768004R2	
RN8087	C-R NET	RM7LJ103X04	1	43484710304R2	
RN8088	C-R NET	RM7LJ103X04	1	43484710304R2	
RN8089	C-R NET	RM7LJ000X04	1	43484700004R2	
RN8091	C-R NET	RM7LJ000X04	1	43484700004R2	
RN8093	C-R NET	RM7LJ000X04	1	43484700004R2	
RN8095	C-R NET	RM7LJ000X04	1	43484700004R2	
RN8097	C-R NET	RM7LJ000X04	1	43484700004R2	
RN8099	C-R NET	RM7LJ000X04	1	43484700004R2	
RN8703	C-R NET	RM7LJ680X04	1	43484768004R2	
RN8704	C-R NET	RM7LJ680X04	1	43484768004R2	
RN8705	C-R NET	RM7LJ680X04	1	43484768004R2	
RN8706	C-R NET	RM7LJ680X04	1	43484768004R2	
JL8002B	WIRE TRAP	NPLG-5P588	1	25055626	
P2801B	SOCKET	NSCT-31P2124	1	25052227	
P3805B	SOCKET	NSCT-10P1025	1	25051235	
P8001	SOCKET	YKF45-7037V	1	25053253R3	
P8002	SOCKET	YKF45-7037V	1	25053253R3	
P8002A	SOCKET	NSCT-15P1030	1	25051240	
P8051	SOCKET	YKF45-7037V	1	25053253R3	
P8052	SOCKET	YKF45-7037V	1	25053253R3	
P8302	SOCKET	YKF45-7037V	1	25053253R3	
P8352	SOCKET	YKF45-7037V	1	25053253R3	
P8702	SOCKET	NSCT-8P2471	1	25052574R2	
P8704	SOCKET	NSCT-8P2471	1	25052574R2	

U27 HD RADIO PC BOARD (NARF-9118-1A)

REF. NO.	PART NAME	DESCRIPTION	Q'TY	PART NO. (SN)	REMARKS
----------	-----------	-------------	------	---------------	---------

U1	FRONTEND	HD RADIO MODULE	1	240160
Q1	IC	TA48018AF(TE16L_NQ)	1	22278018DR2TO
Q1 or	IC	BA18BC0FP	(1)	22278018DR2RH
Q10	IC	NE5532APSR	1	22242283R2
Q11	IC	XC6213B332MR	1	22242277R2
Q3	IC	NJM2903V	1	22241675R2
Q4	IC	CS4344-CZZR	1	22242406R2
Q6	IC	BA50BC0FP	1	22278005DR2RH
Q7	IC	BA33BC0FP	1	22278033DR2RH
Q8	IC	BD7820	1	22242300R2
Q9	IC	NE5532APSR	1	22242283R2
L2	EMIFIL	BK1608LM182-T	1	230958R1
L3	EMIFIL	BK1608LM182-T	1	230958R1
L4	CHOKE COIL	NCH-1471	1	231237K022R2
C1	VR C	CE04W10V-470M(VR)	1	394634717T
C10	C-CERA C	CK725F1H-224Z1	1	332152240R1
C11	C-CERA C	CK725F1H-104Z1	1	332151040R1
C12	VR C	CE04W10V-470M(VR)	1	394634717T
C13	C-CERA C	CK725F1H-104Z1	1	332151040R1
C14	VR C	CE04W10V-470M(VR)	1	394634717T
C15	C-CERA C	CK725F1H-104Z1	1	332151040R1
C16	C-CERA C	CK725F1H-104Z1	1	332151040R1
C17	C-CERA C	CK725F1H-104Z1	1	332151040R1
C18	VR C	CE04W16V-100M(VR)	1	394641017T
C19	UTSP C	CE04W50V-10M(UTSP)	1	397581007T
C2	VR C	CE04W10V-470M(VR)	1	394634717T
C20	C-CERA C	CK732B1A-105K	1	337361055R2
C22	C-CERA C	CC725CH1H-102J1	1	342101024R1
C23	C-CERA C	CC725CH1H-102J1	1	342101024R1
C24	C-CERA C	CC725CH1H-102J1	1	342101024R1
C25	C-CERA C	CC725CH1H-102J1	1	342101024R1
C26	UTSP C	CE04W50V-10M(UTSP)	1	397581007T
C27	UTSP C	CE04W50V-10M(UTSP)	1	397581007T
C3	C-CERA C	CK725F1H-104Z1	1	332151040R1
C4	UTSP C	CE04W50V-10M(UTSP)	1	397581007T
C7	VR C	CE04W10V-470M(VR)	1	394634717T
C8	C-CERA C	CK725F1H-104Z1	1	332151040R1
C9	UTSP C	CE04W50V-10M(UTSP)	1	397581007T
R1	C-CARBON R	RN72K1J-822JE	1	435038224R1
R10	C-CARBON R	RN72K1J-000JE	1	435030004R1
R11	C-CARBON R	RN72K1J-222JE	1	435032224R1
R12	C-CARBON R	RN72K1J-222JE	1	435032224R1
R13	TRIM R	N06HR2KBB	1	5211402T
R14	C-CARBON R	RN72K1J-103JE	1	435031034R1
R15	C-CARBON R	RN72K1J-470JE	1	435034704R1
R16	C-CARBON R	RN72K1J-472JE	1	435034724R1
R17	C-CARBON R	RN72K1J-472JE	1	435034724R1
R18	C-CARBON R	RN72K1J-000JE	1	435030004R1
R19	C-CARBON R	RN72K1J-470JE	1	435034704R1
R2	C-CARBON R	RN72K1J-101JE	1	435031014R1
R20	C-CARBON R	RN72K1J-105JE	1	435031054R1
R21	C-CARBON R	RN72K1J-682JE	1	435036824R1
R22	C-CARBON R	RN72K1J-471JE	1	435034714R1
R23	C-CARBON R	RN72K1J-470JE	1	435034704R1
R24	C-CARBON R	RN72K1J-470JE	1	435034704R1
R25	C-CARBON R	RN72K1J-000JE	1	435030004R1
R26	C-CARBON R	RN72K1J-000JE	1	435030004R1
R27	C-CARBON R	RN72K1J-273JE	1	435032734R1
R28	C-CARBON R	RN72K1J-393JE	1	435033934R1
R29	C-CARBON R	RN72K1J-273JE	1	435032734R1
R3	C-CARBON R	RN72K1J-105JE	1	435031054R1
R30	C-CARBON R	RN72K1J-220JE	1	435032204R1
R31	C-CARBON R	RN72K1J-220JE	1	435032204R1
R33	C-CARBON R	RN72K1J-220JE	1	435032204R1
R34	C-CARBON R	RN72K1J-000JE	1	435030004R1
R35	C-CARBON R	RN72K1J-000JE	1	435030004R1
R38	C-CARBON R	RN72K1J-222JE	1	435032224R1
R39	C-CARBON R	RN72K1J-222JE	1	435032224R1

R4	C-CARBON R	RN72K1J-101JE	1	435031014R1
R40	C-CARBON R	RN72K1J-222JE	1	435032224R1
R41	C-CARBON R	RN72K1J-222JE	1	435032224R1
R42	C-CARBON R	RN72K1J-104JE	1	435031044R1
R43	C-CARBON R	RN72K1J-104JE	1	435031044R1
R44	C-CARBON R	RN72K1J-122JE	1	435031224R1
R45	C-CARBON R	RN72K1J-122JE	1	435031224R1
R46	C-CARBON R	RN72K1J-332JE	1	435033324R1
R47	C-CARBON R	RN72K1J-332JE	1	435033324R1
R48	C-CARBON R	RN72K1J-822JE	1	435038224R1
R49	C-CARBON R	RN72K1J-822JE	1	435038224R1
R5	TRIM R	N06HR2KBB	1	5211402T
R50	C-CARBON R	RN72K1J-682JE	1	435036824R1
R51	C-CARBON R	RN72K1J-682JE	1	435036824R1
R52	METAL O R	RS1/2WBJ-10	1	443521004T
R6	C-CARBON R	RN72K1J-103JE	1	435031034R1
R7	C-CARBON R	RN72K1J-101JE	1	435031014R1
R8	C-CARBON R	RN72K1J-101JE	1	435031014R1
P1	TRM	NTM-4PDML401	1	25060473
P101A	SOCKET	NSCT-13P2106	1	25052209
P5	PLUG	NPLG-4P118	1	25055134

DTC-9.8**PACKING PROCEDURE PARTS LIST**

REF. NO.	NAME	DESCRIPTION	Q`TY	PART NO(SN)	REMARKS
A603	SHEET	T0.515*1300*900	1	29096066	
A604	POLY BAG	(W1020xD770)	1	29100253	
A606	TAPE	(SEROHAN)NITTO NO.29	1	29110149	
A608	PAD	AS	1	29092367	
A610	CARTON	DTC-9.8(B)UDD	1	29054725	
A614a	UPC LABEL	.	1	29364861	<DD>
A620	CARTON	(ACC)	1	29054767	
A622	PP TAPE	W48 OPP TAPE	1	29110148	
A624	STAPLE	FUKAN-BARI(1000KO)	4	282321	
A630	LABEL	(CARTON)UMA	2	29364890	<MA>
A803	POLY BAG	w250xd350	1	29100250	
A816	INS MANUAL	En(DTC-9.8)	1	29344461	
A819	INS MANUAL	U9(RC-687M-692M)	1	29344467	
A833	INST SHEET	En(XM RADIO)	1	29355602	<DD>
A835	REMO CON	RC-691M	1	24140691	
A840	ANT COIL	NMA-3064	1	232201	<DD>
A840	ANT COIL	NMA-3057	1	232140	<MA>
A842	FM ANT AS	Type W	1	292191	
A844	BATTERY	R6/AA(UM-3)	3	3010194	
A844 or	BATTERY	R6/AA(UM-3)	(3)	3010054	
A848	POLY BAG	t0.1*70*100	1	29100217	
A856	WRNTY CARD	(INTEGRA)	1	29365103	<DD>
A867	INST SHEET	U3EnFrEs(EZ Sync 805series)	1	29355647A	<DD>
A868	INST SHEET	U9(VIERA Link 805Series)	1	29355648A	<MA>
A880	HANDBILL	(SIRIUS)	1	29380149	<DD>
P901	AC CORD	AS-UC-2	1	253301VOL	!, <DD>
P901	AC CORD	AS-SAA	1	253391VOL	!, <MA>
U016	MIC AS	MIC-5000	1	1B068MIC	

<Note>

- 1.Parts marked by 'NSP' are generally unavailable because they are not in our Master Spare Parts List.
- 2.ICs marked by 'NRP' are not replaceable because some pins on bottom are unable to see and solder..

NOTE : THE COMPONENTS IDENTIFIED BY THE MARK
! ARE CRITICAL FOR RISK OF FIRE AND
ELECTRIC SHOCK. REPLACE ONLY WITH PART
NUMBER SPECIFIED.

<Notes>

(B) : Black model (All)

<DD> : DTC-9.8 USA model

<MA> : DTC-9.8 Australian model

[U] : Made in Japan

[M] : Made in Malaysia

EXPLODED VIEW PARTS LIST

REF. NO.	NAME	DESCRIPTION	Q'TY	PART NO(SN)	REMARKS
A056	SCREW	4TTC+8C(3BC)	10	830440089GR	
A066	CHASSIS	.	1	---	NSP
A067	BUTYL	3(5m)	1	WS3628	[U]
A067	CUSHION	(BUTYL)	1	28141748	[M]
A068	LEG	(AS)	4	27175438	
A070	CUSHION	.	8	28141637	
A072	BRACKET	(PT2)	1	27131028B	
A076	HOLDER	(SPD-6)	2	27191308	
A078	HOLDER	KGPS-10RF	3	27190813	
A084	RETAINER	(F)	2	27142073	
A085	SCREW	3TTB+8B(3CM)SR	34	801637	
A086	BRACKET	(F)	1	27131020B	[U]
A086	BRACKET	(F)	1	27131020C	[M]
A087	TAPE	TAPE(CLOTH-16U)	1	29110083	
A089	TAPE	TAPE(CLOTH-8U)	1	29110082	
A090	HOLDER	SPM-4	5	27191154	
A092	HOLDER	KGLS-10RT	1	27190428A	
A094	HOLDER	KGLS-10S	2	27190896	
A096	HOLDER	KGPS-6RF	1	27191112	
A098	HOLDER	KGLS-12S	1	27190062	
A100	HOLDER	HOLDER KGLS-18S	1	27190470	
A104	HOLDER	KGLS-22S	1	27190369	
A106	HOLDER	KGLS-12RT	1	27190266	
A107	CLAMP	HL-18-0	1	27301394	
A108	CLAMP	WS-2NS	6	27300833	
A109	HOLDER	KGLS-6RT	4	27190693A	
A110	REAR PANEL	DTC-9.8DD	1	27123721A	[U], <DD>
A110	REAR PANEL	DTC-9.8MA	1	27123722A	[U], <MA>
A110	REAR PANEL	MDD	1	27123860	[M], <DD>
A110	REAR PANEL	MMA	1	27123861	[M], <MA>
A112	SCREW	3TTB+8B(3BC)	90	838430088GR	<DD>
A112	SCREW	3TTB+8B(3BC)	87	838430088GR	<MA>

A113	SCREW	3P+6FN(3BC)	1	82143006GR	<DD>
A114	SCREW	4TTB+8C(3BC)	8	838440089GR	
A116	WASHER	W3*10F(3BC)	1	87643010GR	
A118	TRM	E TERMINAL	1	25060151	
A119	TAPE	TAPE(CLOTH-8U)	1	29110082	
A120	WIRE TIE	BSK-1	4	260208	
A122a	LABEL	(E-CON)	1	29364978	
A128	SHLD CASE	(C)	1	27225171	<DD>
A132	RETAINER	(E)	1	27142078	<DD>
A133	SCREW	3TTB+8B(3CM)SR	1	801637	<DD>
A137	CUSHION	(T3*W35*D10)	3	28141741	<DD>
A137	CUSHION	(T3*W35*D10)	2	28141741	<MA>
A139	BUTYL	3(5m)	1	WS3628	[U]
A139	CUSHION	(BUTYL)	1	28141748	[M]
A140	BUTYL	3(5m)	1	WS3628	[U]
A140	CUSHION	(BUTYL)	1	28141748	[M]
A141	IB CUSHION	W15*3t	1	28141585	
A142	IB CUSHION	W15*3t	1	28141585	
A143	IB CUSHION	W15*3t	1	28141585	
A144	BUTYL	3(5m)	1	WS3628	[U]
A144	CUSHION	(BUTYL)	1	28141748	[M]
A160	TAPE	TAPE(CLOTH-8U)	1	29110082	
A162	TAPE	TAPE(CLOTH-8U)	1	29110082	
A170	SPACER	.	2	27270439	
A172	BUSHING	L125	1	28170004	
A201	BADGE	.	1	28135278	
A203	GUIDE	(VOL)B	1	27268205	
A230	TAPE	TAPE(CLOTH-8U)	1	29110082	
A251	F BRACKET	(B)	1	27111486A	
A253	KNOB	(STANDBY)	1	28325756	
A255	CLEAR PLT	.	1	28192140	
A259	B PLATE	.	1	28133430	
A261	RETAINER	(PWB)	1	27142064	
A262	CUSHION	(T10*A40*B10)	2	28141747	
A263	RETAINER	(HP)	1	27141787	
A264	SNAP PLATE	SNAP PLATE	1	27301877	
A270	CUSHION	t5*30*5	2	28141562	
A271	TAPE	TAPE(CLOTH-8U)	1	29110082	
A281	KNOB	(VOL)AS	1	28326231	
A283	CUSHION	.	4	28141637	
A301	F PANEL	.	1	27213011A	<DD>
A301	F PANEL	.	1	27213012A	<MA>
A304	FACET	.	3	28198905	<DD>
A304	FACET	.	4	28198905	<MA>
A400	COVER	(B)	1	28184999	
A410	LABEL	(CAUTION)	1	29363796	
A414	LABEL	HOOKUP-INTEGRA	1	29363195	<DD>
F2501	FUSE	4A-UL/T-233	1	252325GR	!
F2501 or	FUSE	4A-T/UL-ST2	(1)	252257GR	!
F2502	FUSE	4A-UL/T-233	1	252325GR	!

F2502 or	FUSE	4A-T/UL-ST2	(1)	252257GR	!
F5000	FUSE	4A-UL/T-233	1	252325GR	!
F5000 or	FUSE	4A-T/UL-ST2	(1)	252257GR	!
F5001	FUSE	4A-UL/T-233	1	252325GR	!
F5001 or	FUSE	4A-T/UL-ST2	(1)	252257GR	!
F5002	FUSE	2.5A-UL/T-233	1	252321GR	!, <DD>
F5002 or	FUSE	2.5A-T/UL-ST2	(1)	252254GR	!, <DD>
F5003	FUSE	2.5A-UL/T-233	1	252321GR	!, <DD>
F5003 or	FUSE	2.5A-T/UL-ST2	(1)	252254GR	!, <DD>
F9000	FUSE	5A-UL/T-233	1	252326GR	!, <DD>
F9000 or	FUSE	5A-T/UL-ST2	(1)	252258GR	!, <DD>
F9301	FUSE	4A-UL/T-233	1	252325GR	!
F9301 or	FUSE	4A-T/UL-ST2	(1)	252257GR	!
P101	FFC	NCFC7-134512	1	2047134512	<DD>
P101	FFC	NCFC7-132012	1	2047132012	<MA>
P102	FFC	NCFC7-181012	1	2047181012	<DD>
P205	FFC	NCFC5-092512	1	2045092512	
P2801	FFC	NCFC7-311012	1	2047311012	
P7501	FFC	NCFC7-405022	1	2047405022	
T903	P TRANS	NPT-1555D	1	2301902	!, <DD>
T903	P TRANS	NPT-1555M	1	2301903	!, <MA>
T904	P TRANS	NPT-1556D	1	2301906	!, <DD>
T904	P TRANS	NPT-1556M	1	2301907	!, <MA>
T905	P TRANS	NPT-1558D	1	2301911A	!, <DD>
T905	P TRANS	NPT-1558M	1	2301912A	!, <MA>
U01	AMPLIFIER PC board ass'y	NAASP-9050-1K	1	1B170550-1K	
U02	PHONO PC board ass'y	NAASP-9051-1K	1	1B170551-1K	
U03	VIDEO PC board ass'y	NAVD-9052-1K	1	1B170552-1K	
U04	CONNECTOR PC board ass'y	NAETC-9053-1K	1	1B170553-1K	
U05	CONNECTOR PC board ass'y	NAETC-9054-1K	1	1B170554-1K	
U06	POWER SUPPLY PC board ass'y	NAASP-9057-2A	1	1B170557-2A	<DD>
		NAASP-9057-2B	1	1B170557-2B	<MA>
U07	INLET PC board ass'y	NAASP9058-2A	1	1B170558-2A	<DD>
		NAASP9058-2B	1	1B170558-2B	<MA>
U08	DSP PC board ass'y	NADSP-9072-1A	1	1B170572-1A	
U09	DAC PC board ass'y	NADG-9074-1K	1	1B170574-1K	<DD>
		NADG-9074-1L	1	1B170574-1L	<MA>
U10	MICROPROCESSOR PC board ass'y	NAAR-9075-1K	1	1B170575-1K	<DD>
		NAAR-9075-1L	1	1B170575-1L	<MA>
U12	XM PC board ass'y	NARF-9077-1K	1	1B170577-1K	<DD>
U13	HOLDER PC board ass'y	NAETC-9078-1K	1	1B170578-1K	<DD>
		NAETC-9078-1L	1	1B170578-1L	<MA>
U14	E-CONTROL PC board ass'y	NALAN-9079-1K	1	1B170579-1K	<DD>
		NALAN-9079-1L	1	1B170579-1L	<MA>
U15	AMPLIFIER PC board ass'y	NAASP-9080-1K	1	1B170580-1K	<DD>
		NAASP-9080-1L	1	1B170580-1L	<MA>
U16	AMPLIFIER PC board ass'y	NAETC-9073-1K	1	1B170573-1K	<DD>
		NAETC-9073-1L	1	1B170573-1L	<MA>
U17	DISPLAY PC board ass'y	NADIS-9096-1F	1	1B170596-1F	<DD>
		NADIS-9096-1G	1	1B170596-1G	<MA>

U18	SWITCH PC board ass'y	NADIS-9097-1F	1	1B170597-1F	<DD>
		NADIS-9097-1G	1	1B170597-1G	<MA>
U19	HEADPHONE PC board ass'y	NADIS-9098-1F	1	1B170598-1F	<DD>
		NADIS-9098-1G	1	1B170598-1G	<MA>
U20	POWER SUPPLY PC board ass'y	NADIS-9099-1F	1	1B170599-1F	<DD>
		NADIS-9099-1G	1	1B170599-1G	<MA>
U21	OPT PC board ass'y	NADIS-9100-1F	1	1B170500-1F	<DD>
		NADIS-9100-1G	1	1B170500-1G	<MA>
U22	VOLUME PC board ass'y	NADIS-9101-1F	1	1B170501-1F	<DD>
		NADIS-9101-1G	1	1B170501-1G	<MA>
U24	HOLDER PC board ass'y	NADIS-9103-1F	1	1B170503-1F	<DD>
		NADIS-9103-1G	1	1B170503-1G	<MA>
U25	BALANCE TERMINAL PC board ass'y	NATRM-9108-1A	1	1B170508-1A	<DD>
		NATRM-9108-1B	1	1B170508-1B	<MA>
U26	HDMI PC board ass'y	NAHDM-9114-1C	1	1B170514-1C	
U27	HD RADIO PC board ass'y	NARF-9118-1A	1	1B170518-1A	<DD>
U017	TUNER UNIT	FAE485-E11EU	1	240154	<MA>

DTC-9.8

PC BOARD PARTS LIST

U01	AMPLIFIER PC BOARD (NAASP-9050-1K)
U02	PHONO PC BOARD (NAASP-9051-1K)
U03	VIDEO PC BOARD (NAVD-9052-1K)
U04	CONNECTOR PC BOARD (NAETC-9053-1K)
U05	CONNECTOR PC BOARD (NAETC-9054-1K)

REF. NO.	PART NAME	DESCRIPTION	Q'TY	PART NO. (SN)	REMARKS
Q2001	TR	RN1444-A	1	2216031R2	
Q2001 or	TR	RN1444-B	(1)	2216032R2	
Q2002	TR	RN1444-A	1	2216031R2	
Q2002 or	TR	RN1444-B	(1)	2216032R2	
Q2003	TR	RN1444-A	1	2216031R2	
Q2003 or	TR	RN1444-B	(1)	2216032R2	
Q2004	TR	RN1444-A	1	2216031R2	
Q2004 or	TR	RN1444-B	(1)	2216032R2	
Q2005	TR	RN1444-A	1	2216031R2	
Q2005 or	TR	RN1444-B	(1)	2216032R2	
Q2006	IC	TC74HC4051AF(EL_F)	1	222740515R2	
Q2007	IC	TC74HC4051AF(EL_F)	1	222740515R2	
Q2008	IC	TC74HC4051AF(EL_F)	1	222740515R2	
Q2009	IC	TC74HC4051AF(EL_F)	1	222740515R2	
Q2010	IC	TC74HC4051AF(EL_F)	1	222740515R2	
Q2011	IC	TC74HC4051AF(EL_F)	1	222740515R2	
Q2012	IC	NJM2587V	1	22242380R2	
Q2013	IC	NJM2587V	1	22242380R2	
Q2014	IC	MM1512	1	22241849R2	
Q2015	TR	RN1441	1	2215410R2	
Q2016	TR	RN1441	1	2215410R2	
Q2017	TR	RN1444-A	1	2216031R2	

Q2017 or	TR	RN1444-B	(1)	2216032R2
Q2018	TR	RN1444-A	1	2216031R2
Q2018 or	TR	RN1444-B	(1)	2216032R2
Q2019	TR	RN1444-A	1	2216031R2
Q2019 or	TR	RN1444-B	(1)	2216032R2
Q2020	TR	RN1444-A	1	2216031R2
Q2020 or	TR	RN1444-B	(1)	2216032R2
Q2023	TR	KRA102S	1	2216220R2
Q2023 or	TR	RN2402	(1)	2214530R2
Q2024	TR	KTA1504-GR	1	2216185R2
Q2024 or	TR	2SA1162-GR	(1)	2214375R2
Q2025	TR	KRA102S	1	2216220R2
Q2025 or	TR	RN2402	(1)	2214530R2
Q2026	TR	KTA1504-GR	1	2216185R2
Q2026 or	TR	2SA1162-GR	(1)	2214375R2
Q2027	IC	NJU7312AM	1	22242210R2
Q2201	IC	NJW1321FP1	1	22242381R3
Q2204	TR	2SK3019	1	2216520R2
Q2205	TR	2SK3019	1	2216520R2
Q2206	IC	NJM2586AM	1	22242420R2
Q2207	IC	NJM2586AM	1	22242420R2
Q2501	IC	SI8008TM	1	22242323R2
Q2502	TR	2SC2712-GR	1	2213145R2
Q2503	TR	RN1402	1	2214470R2
Q2504	IC	NJM2388F09	1	22242383
Q2504A	SCREW	3P+10FN(3BC)	1	82143010GR
Q2504B	HEAT SINK	RAD-196	1	27160545
Q2505	IC	NJM2386ADL3-05	1	22242382R2
Q2506	TR	RN2402	1	2214530R2
Q2507	TR	2SD1468S-R	1	2215024T
Q2509	IC	7905FA(NJM7905FA)	1	222790054JRC
Q2509A	SCREW	3P+10FN(3BC)	1	82143010GR
Q2511	TR	2SC2712-GR	1	2213145R2
Q2512	TR	2SA1162-GR	1	2214375R2
Q2601	TR	2SB1240-R	1	2213794T
Q2601 or	TR	2SB1240-Q	(1)	2213793T
Q2601 or	TR	2SB1240-P	(1)	2213792T
Q2602	TR	KRC102S	1	2216190R2
Q2602 or	TR	RN1402	(1)	2214470R2
Q2603	TR	2SB1240-R	1	2213794T
Q2603 or	TR	2SB1240-Q	(1)	2213793T
Q2603 or	TR	2SB1240-P	(1)	2213792T
Q2604	TR	KRC102S	1	2216190R2
Q2604 or	TR	RN1402	(1)	2214470R2
Q2605	TR	2SB1240-R	1	2213794T
Q2605 or	TR	2SB1240-Q	(1)	2213793T
Q2605 or	TR	2SB1240-P	(1)	2213792T
Q2606	TR	KRC102S	1	2216190R2
Q2606 or	TR	RN1402	(1)	2214470R2
Q2607	TR	RN2402	1	2214530R2

Q2608	PHT CP	PS2501AL-1	1	24120141R2
Q2609	PHT CP	PS2501AL-1	1	24120141R2
Q4001	IC	NE5532APSR	1	22242283R2
Q4002	IC	NE5532APSR	1	22242283R2
Q4011	IC	NE5532APSR	1	22242283R2
Q4012	IC	NE5532APSR	1	22242283R2
Q4013	IC	NE5532APSR	1	22242283R2
Q4014	IC	NE5532APSR	1	22242283R2
Q4015	IC	NE5532APSR	1	22242283R2
Q4017	TR	2SC2240-BL(TPE2_F)	1	2211406T
Q4018	TR	2SC2240-BL(TPE2_F)	1	2211406T
Q4019	TR	2SC2240-BL(TPE2_F)	1	2211406T
Q4020	TR	2SC2240-BL(TPE2_F)	1	2211406T
Q4021	TR	2SC2712-GR	1	2213145R2
Q4022	TR	2SC2712-GR	1	2213145R2
Q4023	IC	NE5532APSR	1	22242283R2
Q4025	TR	RN1441	1	2215410R2
Q4026	TR	RN1441	1	2215410R2
Q4029	IC	TC94A46CFG	1	22242414R3
Q4029 or	IC	TC94A46FG	(1)	22242103R3
Q4030	IC	NE5532APSR	1	22242283R2
Q4031	IC	NE5532APSR	1	22242283R2
Q4032	IC	NE5532APSR	1	22242283R2
Q4040	IC	NE5532APSR	1	22242283R2
Q4041	IC	NE5532APSR	1	22242283R2
Q4042	IC	NE5532APSR	1	22242283R2
Q4043	IC	NE5532APSR	1	22242283R2
Q4205	TR	RN1441	1	2215410R2
Q4206	TR	RN1441	1	2215410R2
Q4207	TR	RN1441	1	2215410R2
Q4208	TR	RN1441	1	2215410R2
Q4209	TR	RN1441	1	2215410R2
Q4210	TR	RN1441	1	2215410R2
Q4211	TR	RN1441	1	2215410R2
Q4212	TR	RN1441	1	2215410R2
Q4213	TR	RN1441	1	2215410R2
Q4214	TR	RN1441	1	2215410R2
Q4215	TR	RN1441	1	2215410R2
Q4216	TR	RN1441	1	2215410R2
Q4301	IC	NE5532APSR	1	22242283R2
Q4302	IC	NE5532APSR	1	22242283R2
Q4303	IC	NE5532APSR	1	22242283R2
Q4304	IC	NJU7312AM	1	22242210R2
Q4305	IC	NJU7313AM	1	22242211R2
Q4306	IC	NJU7311AM	1	22242209R2
Q4401	TR	2SA950-Y	1	2211504T
Q4402	TR	2SC2120-Y	1	2211164T
Q4403	TR	2SC2712-GR	1	2213145R2
Q4404	TR	2SA1162-GR	1	2214375R2
Q4405	IC	CS3318-CQZR	1	22242404R2

Q4406	IC	NE5532APSR	1	22242283R2
Q4407	TR	2SC2712-GR	1	2213145R2
Q4408	TR	2SC2712-GR	1	2213145R2
Q4501	TR	2SC2235-Y(TPE6_F)	1	2211654T
Q4502	TR	2SC2235-Y(TPE6_F)	1	2211654T
Q4503	TR	2SA965-Y(TPE6_F)	1	2211644T
Q4504	TR	2SA965-Y(TPE6_F)	1	2211644T
Q4505	IC	NE5532APSR	1	22242283R2
Q4506	TR	2SC2712-GR	1	2213145R2
Q4610	TR	RN1441	1	2215410R2
Q4611	TR	RN1441	1	2215410R2
Q4612	TR	RN1441	1	2215410R2
Q4613	TR	RN1441	1	2215410R2
Q4614	TR	RN1441	1	2215410R2
Q4615	TR	RN1441	1	2215410R2
Q4616	TR	RN1441	1	2215410R2
Q4617	TR	RN1441	1	2215410R2
Q4620	TR	RN1441	1	2215410R2
Q4621	TR	RN1441	1	2215410R2
Q4622	TR	RN1441	1	2215410R2
Q4623	TR	RN1441	1	2215410R2
Q4624	TR	RN1441	1	2215410R2
Q4625	TR	RN1441	1	2215410R2
Q4626	TR	RN1441	1	2215410R2
Q4627	TR	RN1441	1	2215410R2
D2003	C-DIODE	ISS352	1	223234R2
D2003 or	C-DIODE	ISS355	(1)	223269R2
D2004	C-DIODE	ISS352	1	223234R2
D2004 or	C-DIODE	ISS355	(1)	223269R2
D2005	C-DIODE	ISS352	1	223234R2
D2005 or	C-DIODE	ISS355	(1)	223269R2
D2006	C-DIODE	ISS352	1	223234R2
D2006 or	C-DIODE	ISS355	(1)	223269R2
D2203	ZENER D	UDZ3.3B	1	224490330R2
D2501	C-DIODE	CRS09(TE85L_Q)	1	223274R2
D2502	C-DIODE	ISS352	1	223234R2
D2502 or	C-DIODE	ISS355	(1)	223269R2
D2503	C-DIODE	ISS352	1	223234R2
D2503 or	C-DIODE	ISS355	(1)	223269R2
D2504	C-DIODE	ISS352	1	223234R2
D2504 or	C-DIODE	ISS355	(1)	223269R2
D2505	C-DIODE	ISS352	1	223234R2
D2505 or	C-DIODE	ISS355	(1)	223269R2
D2506	ZENER D	UDZS10B	1	224551000R2
D2507	ZENER D	UDZS10B	1	224551000R2
D2508	C-DIODE	ISS352	1	223234R2
D2508 or	C-DIODE	ISS355	(1)	223269R2
D2509	C-DIODE	ISS352	1	223234R2
D2509 or	C-DIODE	ISS355	(1)	223269R2
D2510	DIODE	D10XB60H	1	22380337F

D2511	DIODE	RLIN4003	1	22380260T
D2512	C-DIODE	ISS352	1	223234R2
D2512 or	C-DIODE	ISS355	(1)	223269R2
D2513	C-DIODE	ISS352	1	223234R2
D2513 or	C-DIODE	ISS355	(1)	223269R2
D2601	C-DIODE	ISS352	1	223234R2
D2601 or	C-DIODE	ISS355	(1)	223269R2
D2602	C-DIODE	ISS352	1	223234R2
D2602 or	C-DIODE	ISS355	(1)	223269R2
D2603	C-DIODE	ISS352	1	223234R2
D2603 or	C-DIODE	ISS355	(1)	223269R2
D2604	C-DIODE	ISS352	1	223234R2
D2604 or	C-DIODE	ISS355	(1)	223269R2
D2605	C-DIODE	ISS352	1	223234R2
D2605 or	C-DIODE	ISS355	(1)	223269R2
D2606	C-DIODE	ISS352	1	223234R2
D2606 or	C-DIODE	ISS355	(1)	223269R2
D2607	DIODE	RLIN4003	1	22380260T
D4001	ZENER D	UDZS5.6B	1	224550560R2
D4002	ZENER D	UDZS5.6B	1	224550560R2
D4401	ZENER D	UDZS9.1B	1	224550910R2
D4402	ZENER D	UDZS9.1B	1	224550910R2
D4403	ZENER D	UDZ3.3B	1	224490330R2
D4404	C-DIODE	ISS352	1	223234R2
D4404 or	C-DIODE	ISS355	(1)	223269R2
D4405	C-DIODE	ISS352	1	223234R2
D4405 or	C-DIODE	ISS355	(1)	223269R2
D4501	C-DIODE	ISS352	1	223234R2
D4501 or	C-DIODE	ISS355	(1)	223269R2
D4502	C-DIODE	ISS352	1	223234R2
D4502 or	C-DIODE	ISS355	(1)	223269R2
D4503	C-DIODE	ISS352	1	223234R2
D4503 or	C-DIODE	ISS355	(1)	223269R2
D4504	C-DIODE	ISS352	1	223234R2
D4504 or	C-DIODE	ISS355	(1)	223269R2
D4505	C-DIODE	ISS352	1	223234R2
D4505 or	C-DIODE	ISS355	(1)	223269R2
D4506	C-DIODE	ISS352	1	223234R2
D4506 or	C-DIODE	ISS355	(1)	223269R2
D4507	C-DIODE	ISS352	1	223234R2
D4507 or	C-DIODE	ISS355	(1)	223269R2
D4508	C-DIODE	ISS352	1	223234R2
D4508 or	C-DIODE	ISS355	(1)	223269R2
D4509	C-DIODE	ISS352	1	223234R2
D4509 or	C-DIODE	ISS355	(1)	223269R2
L2501	CHOKE COIL	BLM21PG221SN1	1	230949R2
L2502	CHOKE COIL	NCH-2541	1	231363K470
L2601	EMIFIL	BK1608LM182-T	1	230958R1
L2602	EMIFIL	BK1608LM182-T	1	230958R1
L2603	EMIFIL	BK1608LM182-T	1	230958R1

L2604	EMIFIL	BK1608LM182-T	1	230958R1
C2001	C-CERA C	CK725F1E-104Z1	1	332161040R1
C2002	UTSP C	CE04W50V-10M(UTSP)	1	397581007T
C2003	UTSP C	CE04W50V-10M(UTSP)	1	397581007T
C2004	C-CERA C	CK725F1E-104Z1	1	332161040R1
C2005	UTSP C	CE04W50V-10M(UTSP)	1	397581007T
C2006	UTSP C	CE04W50V-10M(UTSP)	1	397581007T
C2007	C-CERA C	CK725B1H-102K1	1	332101025R1
C2008	C-CERA C	CK725F1E-104Z1	1	332161040R1
C2009	UTSP C	CE04W50V-10M(UTSP)	1	397581007T
C2010	UTSP C	CE04W50V-10M(UTSP)	1	397581007T
C2011	C-CERA C	CK725B1H-102K1	1	332101025R1
C2012	C-CERA C	CK725F1E-104Z1	1	332161040R1
C2013	UTSP C	CE04W50V-10M(UTSP)	1	397581007T
C2014	UTSP C	CE04W50V-10M(UTSP)	1	397581007T
C2015	C-CERA C	CK725B1H-102K1	1	332101025R1
C2016	C-CERA C	CK725F1E-104Z1	1	332161040R1
C2017	UTSP C	CE04W50V-10M(UTSP)	1	397581007T
C2018	UTSP C	CE04W50V-10M(UTSP)	1	397581007T
C2019	C-CERA C	CK725B1H-102K1	1	332101025R1
C2020	C-CERA C	CK725B1H-102K1	1	332101025R1
C2024	C-CERA C	CK725F1E-104Z1	1	332161040R1
C2025	VR C	CE04W6.3V-470M(VR)	1	394624717T
C2026	VR C	CE04W6.3V-470M(VR)	1	394624717T
C2027	C-CERA C	CK725F1E-104Z1	1	332161040R1
C2028	C-CERA C	CK725F1E-104Z1	1	332161040R1
C2029	C-CERA C	CK725F1E-104Z1	1	332161040R1
C2030	C-CERA C	CK725F1E-104Z1	1	332161040R1
C2031	C-CERA C	CK725F1E-104Z1	1	332161040R1
C2032	C-CERA C	CK725F1E-104Z1	1	332161040R1
C2033	C-CERA C	CK725F1E-104Z1	1	332161040R1
C2034	C-CERA C	CK725F1E-104Z1	1	332161040R1
C2035	C-CERA C	CK725F1E-104Z1	1	332161040R1
C2036	C-CERA C	CK725F1E-104Z1	1	332161040R1
C2037	C-CERA C	CK725F1E-104Z1	1	332161040R1
C2038	C-CERA C	CK725F1E-104Z1	1	332161040R1
C2043	C-CERA C	CK725F1E-104Z1	1	332161040R1
C2044	C-CERA C	CK725F1E-104Z1	1	332161040R1
C2045	C-CERA C	CK725F1E-104Z1	1	332161040R1
C2046	C-CERA C	CK725F1E-104Z1	1	332161040R1
C2047	C-CERA C	CK725F1E-104Z1	1	332161040R1
C2048	C-CERA C	CK725F1E-104Z1	1	332161040R1
C2049	C-CERA C	CK725F1E-104Z1	1	332161040R1
C2050	C-CERA C	CK725F1E-104Z1	1	332161040R1
C2051	C-CERA C	CK725F1E-104Z1	1	332161040R1
C2052	C-CERA C	CK725F1E-104Z1	1	332161040R1
C2053	C-CERA C	CK725F1E-104Z1	1	332161040R1
C2054	C-CERA C	CK725F1E-104Z1	1	332161040R1
C2055	C-CERA C	CK725F1E-104Z1	1	332161040R1
C2056	C-CERA C	CK725F1E-104Z1	1	332161040R1

C2057	C-CERA C	CK725F1E-104Z1	1	332161040R1
C2058	C-CERA C	CK725F1E-104Z1	1	332161040R1
C2061	VR C	CE04W6.3V-470M(VR)	1	394624717T
C2062	VR C	CE04W6.3V-470M(VR)	1	394624717T
C2063	UTSP C	CE04W50V-22M(UTSP)	1	397582207T
C2064	VR C	CE04W16V-100M(VR)	1	394641017T
C2065	UTSP C	CE04W50V-1M(UTSP)	1	397580107T
C2066	C-CERA C	CK725B1H-103K1	1	332101035R1
C2067	VR C	CE04W6.3V-220M(VR)	1	394622217T
C2068	C-CERA C	CK725F1E-104Z1	1	332161040R1
C2069	C-CERA C	CK725F1E-104Z1	1	332161040R1
C2070	VR C	CE04W6.3V-470M(VR)	1	394624717T
C2071	VR C	CE04W6.3V-470M(VR)	1	394624717T
C2072	C-CERA C	CK725F1E-104Z1	1	332161040R1
C2073	VR C	CE04W6.3V-470M(VR)	1	394624717T
C2074	VR C	CE04W6.3V-470M(VR)	1	394624717T
C2075	C-CERA C	CK725F1E-104Z1	1	332161040R1
C2076	VR C	CE04W6.3V-470M(VR)	1	394624717T
C2077	VR C	CE04W6.3V-470M(VR)	1	394624717T
C2078	VR C	CE04W6.3V-470M(VR)	1	394624717T
C2082	C-CERA C	CK725F1E-104Z1	1	332161040R1
C2083	C-CERA C	CK725F1E-104Z1	1	332161040R1
C2084	C-CERA C	CK725F1E-104Z1	1	332161040R1
C2085	C-CERA C	CK725F1E-104Z1	1	332161040R1
C2086	C-CERA C	CK725F1E-104Z1	1	332161040R1
C2087	C-CERA C	CK725F1E-104Z1	1	332161040R1
C2088	C-CERA C	CK725F1E-104Z1	1	332161040R1
C2089	C-CERA C	CK725F1E-104Z1	1	332161040R1
C2090	UTSP C	CE04W50V-10M(UTSP)	1	397581007T
C2091	UTSP C	CE04W50V-10M(UTSP)	1	397581007T
C2092	C-CERA C	CK725F1E-104Z1	1	332161040R1
C2201	UTSP C	CE04W50V-1M(UTSP)	1	397580107T
C2202	C-CERA C	CK725F1E-104Z1	1	332161040R1
C2203	UTSP C	CE04W50V-1M(UTSP)	1	397580107T
C2204	C-CERA C	CK725F1E-104Z1	1	332161040R1
C2205	UTSP C	CE04W50V-1M(UTSP)	1	397580107T
C2206	C-CERA C	CK725F1E-104Z1	1	332161040R1
C2207	UTSP C	CE04W50V-1M(UTSP)	1	397580107T
C2208	C-CERA C	CK725F1E-104Z1	1	332161040R1
C2209	UTSP C	CE04W50V-1M(UTSP)	1	397580107T
C2210	C-CERA C	CK725F1E-104Z1	1	332161040R1
C2211	UTSP C	CE04W50V-1M(UTSP)	1	397580107T
C2212	C-CERA C	CK725F1E-104Z1	1	332161040R1
C2214	UTSP C	CE04W50V-1M(UTSP)	1	397580107T
C2215	C-CERA C	CK725F1E-104Z1	1	332161040R1
C2216	UTSP C	CE04W50V-1M(UTSP)	1	397580107T
C2217	C-CERA C	CK725F1E-104Z1	1	332161040R1
C2218	UTSP C	CE04W50V-1M(UTSP)	1	397580107T
C2219	C-CERA C	CK725F1E-104Z1	1	332161040R1
C2221	C-CERA C	CK725B1H-102K1	1	332101025R1

C2222	C-CERA C	CK725F1E-104Z1	1	332161040R1
C2223	C-CERA C	CK725F1E-104Z1	1	332161040R1
C2224	C-CERA C	CK725F1E-104Z1	1	332161040R1
C2225	C-CERA C	CK725F1E-104Z1	1	332161040R1
C2226	C-CERA C	CK725F1E-104Z1	1	332161040R1
C2227	UTSP C	CE04W50V-1M(UTSP)	1	397580107T
C2228	C-CERA C	CK725F1E-104Z1	1	332161040R1
C2229	UTSP C	CE04W50V-10M(UTSP)	1	397581007T
C2230	C-CERA C	CK725F1E-104Z1	1	332161040R1
C2231	UTSP C	CE04W50V-10M(UTSP)	1	397581007T
C2232	C-CERA C	CK725F1E-104Z1	1	332161040R1
C2233	C-CERA C	CK725F1E-104Z1	1	332161040R1
C2234	C-CERA C	CK725F1E-104Z1	1	332161040R1
C2235	VR C	CE04W16V-220M(VR)	1	394642217T
C2236	C-CERA C	CK725F1E-104Z1	1	332161040R1
C2237	UTSP C	CE04W50V-10M(UTSP)	1	397581007T
C2239	UTSP C	CE04W50V-10M(UTSP)	1	397581007T
C2240	C-CERA C	CK725F1E-104Z1	1	332161040R1
C2241	UTSP C	CE04W50V-10M(UTSP)	1	397581007T
C2242	C-CERA C	CK725F1E-104Z1	1	332161040R1
C2243	UTSP C	CE04W50V-10M(UTSP)	1	397581007T
C2244	C-CERA C	CK725F1E-104Z1	1	332161040R1
C2245	C-CERA C	CK725F1E-104Z1	1	332161040R1
C2246	VR C	CE04W6.3V-220M(VR)	1	394622217T
C2248	VR C	CE04W6.3V-220M(VR)	1	394622217T
C2249	C-CERA C	CK725F1E-104Z1	1	332161040R1
C2250	UTSP C	CE04W50V-10M(UTSP)	1	397581007T
C2252	C-CERA C	CK725F1E-104Z1	1	332161040R1
C2256	C-CERA C	CK725F1E-104Z1	1	332161040R1
C2262	UTSP C	CE04W50V-10M(UTSP)	1	397581007T
C2263	UTSP C	CE04W50V-10M(UTSP)	1	397581007T
C2264	UTSP C	CE04W50V-10M(UTSP)	1	397581007T
C2265	UTSP C	CE04W50V-10M(UTSP)	1	397581007T
C2266	C-CERA C	CK725F1E-104Z1	1	332161040R1
C2267	UTSP C	CE04W50V-10M(UTSP)	1	397581007T
C2501	VR C	CE04W16V-470M(VR)	1	394644717T
C2502	C-CERA C	CK725B1H-223K1	1	332102235R1
C2503	C-CERA C	CK725F1E-104Z1	1	332161040R1
C2504	VR C	CE04W16V-470M(VR)	1	394644717T
C2505	TF C	ECQ-V50V-104J	1	374721044T
C2507	VR C	CE04W16V-10000M(VR)	1	394641037S
C2508	VR C	CE04W25V-2200M(VR)	1	394652227S
C2509	UTSP C	CE04W50V-1M(UTSP)	1	397580107T
C2510	VR C	CE04W16V-100M(VR)	1	394641017T
C2511	UTSP C	CE04W50V-1M(UTSP)	1	397580107T
C2512	VR C	CE04W16V-100M(VR)	1	394641017T
C2513	UTSP C	CE04W50V-22M(UTSP)	1	397582207T
C2514	UTSP C	CE04W50V-22M(UTSP)	1	397582207T
C2515	UTSP C	CE04W50V-1M(UTSP)	1	397580107T
C2516	VR C	CE04W16V-100M(VR)	1	394641017T

C2601	C-CERA C	CK725B1H-102K1	1	332101025R1
C2602	C-CERA C	CK725B1H-102K1	1	332101025R1
C2603	C-CERA C	CC725CH1H-101J1	1	342101014R1
C2605	C-CERA C	CC725CH1H-101J1	1	342101014R1
C2607	C-CERA C	CC725CH1H-101J1	1	342101014R1
C2608	C-CERA C	CC725CH1H-101J1	1	342101014R1
C4001	TF C	ECQ-B50V-221K	1	374722215T
C4002	TF C	ECQ-B50V-221K	1	374722215T
C4003	C-CERA C	CC725CH1H-221J1	1	342102214R1
C4004	C-CERA C	CC725CH1H-221J1	1	342102214R1
C4005	C-CERA C	CC725CH1H-221J1	1	342102214R1
C4006	C-CERA C	CC725CH1H-221J1	1	342102214R1
C4007	C-CERA C	CC725CH1H-221J1	1	342102214R1
C4008	C-CERA C	CC725CH1H-221J1	1	342102214R1
C4009	C-CERA C	CC725CH1H-221J1	1	342102214R1
C4010	C-CERA C	CC725CH1H-221J1	1	342102214R1
C4011	C-CERA C	CC725CH1H-221J1	1	342102214R1
C4012	C-CERA C	CC725CH1H-221J1	1	342102214R1
C4013	C-CERA C	CC725CH1H-221J1	1	342102214R1
C4014	C-CERA C	CC725CH1H-221J1	1	342102214R1
C4015	C-CERA C	CC725CH1H-221J1	1	342102214R1
C4016	C-CERA C	CC725CH1H-221J1	1	342102214R1
C4017	TF C	ECQ-B50V-221K	1	374722215T
C4018	TF C	ECQ-B50V-221K	1	374722215T
C4019	UTSP C	CE04W50V 47M(UTSP)	1	397584707T
C4020	UTSP C	CE04W50V 47M(UTSP)	1	397584707T
C4023	UTSP C	CE04W50V 47M(UTSP)	1	397584707T
C4024	UTSP C	CE04W50V 47M(UTSP)	1	397584707T
C4027	UTSP C	CE04W50V 47M(UTSP)	1	397584707T
C4028	UTSP C	CE04W50V 47M(UTSP)	1	397584707T
C4031	UTSP C	CE04W50V 47M(UTSP)	1	397584707T
C4032	UTSP C	CE04W50V 47M(UTSP)	1	397584707T
C4035	UTSP C	CE04W50V 47M(UTSP)	1	397584707T
C4036	UTSP C	CE04W50V 47M(UTSP)	1	397584707T
C4039	UTSP C	CE04W50V 47M(UTSP)	1	397584707T
C4040	UTSP C	CE04W50V 47M(UTSP)	1	397584707T
C4043	UTSP C	CE04W50V 47M(UTSP)	1	397584707T
C4044	UTSP C	CE04W50V 47M(UTSP)	1	397584707T
C4055	TF C	ECQ-B50V-221K	1	374722215T
C4056	TF C	ECQ-B50V-221K	1	374722215T
C4057	UTSP C	CE04W50V 47M(UTSP)	1	397584707T
C4058	UTSP C	CE04W50V 47M(UTSP)	1	397584707T
C4059	UTSP C	CE04W50V 47M(UTSP)	1	397584707T
C4060	UTSP C	CE04W50V 47M(UTSP)	1	397584707T
C4061	UTSP C	CE04W25V-220M(UTSP)	1	397552217T
C4062	UTSP C	CE04W25V-220M(UTSP)	1	397552217T
C4063	TF C	ECQ-B50V-682J	1	374726824T
C4064	TF C	ECQ-B50V-682J	1	374726824T
C4065	TF C	ECQ-B50V-182J	1	374721824T
C4066	TF C	ECQ-B50V-182J	1	374721824T

C4067	UTSP C	CE04W50V-22M(UTSP)	1	397582207T
C4068	UTSP C	CE04W50V-22M(UTSP)	1	397582207T
C4069	TF C	ECQ-B50V-222J	1	374722224T
C4070	TF C	ECQ-B50V-222J	1	374722224T
C4079	UTSP C	CE04W25V-220M(UTSP)	1	397552217T
C4080	UTSP C	CE04W25V-220M(UTSP)	1	397552217T
C4081	UTSP C	CE04W50V-100M(UTSP)	1	397581017T
C4083	UTSP C	CE04W50V-100M(UTSP)	1	397581017T
C4085	UTSP C	CE04W50V-100M(UTSP)	1	397581017T
C4087	TRM(TEST PIN)	TP00509-3C	1	25060406T
C4088	TRM(TEST PIN)	TP00509-3C	1	25060406T
C4089	TRM(TEST PIN)	TP00509-3C	1	25060406T
C4090	TRM(TEST PIN)	TP00509-3C	1	25060406T
C4094	UTSP C	CE04W50V-100M(UTSP)	1	397581017T
C4101	UTSP C	CE04W50V 47M(UTSP)	1	397584707T
C4102	UTSP C	CE04W50V 47M(UTSP)	1	397584707T
C4103	UTSP C	CE04W50V 47M(UTSP)	1	397584707T
C4104	UTSP C	CE04W50V 47M(UTSP)	1	397584707T
C4105	UTSP C	CE04W50V 47M(UTSP)	1	397584707T
C4106	UTSP C	CE04W50V 47M(UTSP)	1	397584707T
C4107	UTSP C	CE04W50V 47M(UTSP)	1	397584707T
C4108	UTSP C	CE04W50V 47M(UTSP)	1	397584707T
C4111	UTSP C	CE04W50V 47M(UTSP)	1	397584707T
C4112	UTSP C	CE04W50V 47M(UTSP)	1	397584707T
C4119	UTSP C	CE04W50V 47M(UTSP)	1	397584707T
C4120	UTSP C	CE04W50V 47M(UTSP)	1	397584707T
C4175	C-CERA C	CC725SL1E-152J1	1	342131524R1
C4176	C-CERA C	CC725SL1E-152J1	1	342131524R1
C4177	C-CERA C	CC725CH1H-221J1	1	342102214R1
C4178	C-CERA C	CC725CH1H-221J1	1	342102214R1
C4215	UTSP C	CE04W50V 47M(UTSP)	1	397584707T
C4216	UTSP C	CE04W50V 47M(UTSP)	1	397584707T
C4217	C-CERA C	CC725CH1H-221J1	1	342102214R1
C4218	C-CERA C	CC725CH1H-221J1	1	342102214R1
C4219	UTSP C	CE04W50V 47M(UTSP)	1	397584707T
C4220	UTSP C	CE04W50V 47M(UTSP)	1	397584707T
C4221	C-CERA C	CC725CH1H-221J1	1	342102214R1
C4222	C-CERA C	CC725CH1H-221J1	1	342102214R1
C4223	UTSP C	CE04W50V 47M(UTSP)	1	397584707T
C4224	UTSP C	CE04W50V 47M(UTSP)	1	397584707T
C4225	C-CERA C	CC725CH1H-221J1	1	342102214R1
C4226	C-CERA C	CC725CH1H-221J1	1	342102214R1
C4243	C-CERA C	CC725CH1H-102J1	1	342101024R1
C4302	UTSP C	CE04W50V-100M(UTSP)	1	397581017T
C4311	C-CERA C	CC725CH1H-101J1	1	342101014R1
C4312	C-CERA C	CC725CH1H-101J1	1	342101014R1
C4313	C-CERA C	CC725CH1H-101J1	1	342101014R1
C4314	C-CERA C	CC725CH1H-101J1	1	342101014R1
C4315	UTSP C	CE04W50V 47M(UTSP)	1	397584707T
C4316	UTSP C	CE04W50V 47M(UTSP)	1	397584707T

C4319	C-CERA C	CC725CH1H-101J1	1	342101014R1
C4320	C-CERA C	CC725CH1H-101J1	1	342101014R1
C4321	UTSP C	CE04W50V 47M(UTSP)	1	397584707T
C4322	UTSP C	CE04W50V 47M(UTSP)	1	397584707T
C4401	UTSP C	CE04W25V-100M(UTSP)	1	397551017T
C4402	UTSP C	CE04W25V-100M(UTSP)	1	397551017T
C4403	UTSP C	CE04W50V 47M(UTSP)	1	397584707T
C4404	UTSP C	CE04W50V 47M(UTSP)	1	397584707T
C4405	UTSP C	CE04W25V-220M(UTSP)	1	397552217T
C4406	UTSP C	CE04W25V-220M(UTSP)	1	397552217T
C4407	UTSP C	CE04W50V 47M(UTSP)	1	397584707T
C4408	C-CERA C	CK725F1H-104Z1	1	332151040R1
C4409	C-CERA C	CC725CH1H-101J1	1	342101014R1
C4410	C-CERA C	CC725CH1H-101J1	1	342101014R1
C4411	C-CERA C	CC725CH1H-101J1	1	342101014R1
C4412	C-CERA C	CC725CH1H-101J1	1	342101014R1
C4413	UTSP C	CE04W50V-10M(UTSP)	1	397581007T
C4414	UTSP C	CE04W50V-10M(UTSP)	1	397581007T
C4415	UTSP C	CE04W50V-10M(UTSP)	1	397581007T
C4416	UTSP C	CE04W50V-10M(UTSP)	1	397581007T
C4417	UTSP C	CE04W50V-100M(UTSP)	1	397581017T
C4419	C-CERA C	CC725CH1H-102J1	1	342101024R1
C4420	UTSP C	CE04W50V-10M(UTSP)	1	397581007T
C4421	TRM(TEST PIN)	TP00509-3C	1	25060406T
C4422	TRM(TEST PIN)	TP00509-3C	1	25060406T
C4423	TF C	ECQ-V50V-104J	1	374721044T
C4424	TF C	ECQ-V50V-104J	1	374721044T
C4501	UTSP C	CE04W50V 47M(UTSP)	1	397584707T
C4502	UTSP C	CE04W50V 47M(UTSP)	1	397584707T
C4503	C-CERA C	CC725CH1H-101J1	1	342101014R1
C4504	C-CERA C	CC725CH1H-101J1	1	342101014R1
C4505	TF C	ECQ-V50V-104J	1	374721044T
C4600	C-CERA C	CC725CH1H-221J1	1	342102214R1
C4601	C-CERA C	CC725CH1H-221J1	1	342102214R1
C4602	C-CERA C	CC725CH1H-221J1	1	342102214R1
C4603	C-CERA C	CC725CH1H-221J1	1	342102214R1
C4604	C-CERA C	CC725CH1H-221J1	1	342102214R1
C4605	C-CERA C	CC725CH1H-221J1	1	342102214R1
C4606	C-CERA C	CC725CH1H-221J1	1	342102214R1
C4607	C-CERA C	CC725CH1H-221J1	1	342102214R1
C4610	UTSP C	CE04W50V 47M(UTSP)	1	397584707T
C4611	UTSP C	CE04W50V 47M(UTSP)	1	397584707T
C4612	UTSP C	CE04W50V 47M(UTSP)	1	397584707T
C4613	UTSP C	CE04W50V 47M(UTSP)	1	397584707T
C4614	UTSP C	CE04W50V 47M(UTSP)	1	397584707T
C4615	UTSP C	CE04W50V 47M(UTSP)	1	397584707T
C4616	UTSP C	CE04W50V 47M(UTSP)	1	397584707T
C4617	UTSP C	CE04W50V 47M(UTSP)	1	397584707T
C4622	UTSP C	CE04W50V 47M(UTSP)	1	397584707T
C4623	UTSP C	CE04W50V 47M(UTSP)	1	397584707T

C4624	UTSP C	CE04W50V 47M(UTSP)	1	397584707T
C4625	UTSP C	CE04W50V 47M(UTSP)	1	397584707T
C4626	UTSP C	CE04W50V 47M(UTSP)	1	397584707T
C4627	UTSP C	CE04W50V 47M(UTSP)	1	397584707T
C4630	C-CERA C	CC725CH1H-221J1	1	342102214R1
C4631	C-CERA C	CC725CH1H-221J1	1	342102214R1
C4632	C-CERA C	CC725CH1H-221J1	1	342102214R1
C4633	C-CERA C	CC725CH1H-221J1	1	342102214R1
C4634	C-CERA C	CC725CH1H-221J1	1	342102214R1
C4635	C-CERA C	CC725CH1H-221J1	1	342102214R1
C4636	C-CERA C	CC725CH1H-221J1	1	342102214R1
C4637	C-CERA C	CC725CH1H-221J1	1	342102214R1
C4650	UTSP C	CE04W50V 47M(UTSP)	1	397584707T
C4651	UTSP C	CE04W50V 47M(UTSP)	1	397584707T
C4652	UTSP C	CE04W50V 47M(UTSP)	1	397584707T
C4653	UTSP C	CE04W50V 47M(UTSP)	1	397584707T
C4654	UTSP C	CE04W50V 47M(UTSP)	1	397584707T
C4655	UTSP C	CE04W50V 47M(UTSP)	1	397584707T
C4656	UTSP C	CE04W50V 47M(UTSP)	1	397584707T
C4657	UTSP C	CE04W50V 47M(UTSP)	1	397584707T
R2001	C-CARBON R	RN72K1J-750JE	1	435037504R1
R2002	C-CARBON R	RN72K1J-750JE	1	435037504R1
R2003	C-CARBON R	RN72K1J-750JE	1	435037504R1
R2004	C-CARBON R	RN72K1J-750JE	1	435037504R1
R2005	C-CARBON R	RN72K1J-750JE	1	435037504R1
R2006	C-CARBON R	RN72K1J-750JE	1	435037504R1
R2007	C-CARBON R	RN72K1J-750JE	1	435037504R1
R2008	C-CARBON R	RN72K1J-750JE	1	435037504R1
R2009	C-CARBON R	RN72K1J-750JE	1	435037504R1
R2010	C-CARBON R	RN72K1J-750JE	1	435037504R1
R2011	C-CARBON R	RN72K1J-750JE	1	435037504R1
R2012	C-CARBON R	RN72K1J-750JE	1	435037504R1
R2013	C-CARBON R	RN72K1J-104JE	1	435031044R1
R2014	C-CARBON R	RN72K1J-104JE	1	435031044R1
R2015	C-CARBON R	RN72K1J-104JE	1	435031044R1
R2016	C-CARBON R	RN72K1J-750JE	1	435037504R1
R2017	C-CARBON R	RN72K1J-750JE	1	435037504R1
R2018	C-CARBON R	RN72K1J-750JE	1	435037504R1
R2019	C-CARBON R	RN72K1J-750JE	1	435037504R1
R2020	C-CARBON R	RN72K1J-750JE	1	435037504R1
R2021	C-CARBON R	RN72K1J-750JE	1	435037504R1
R2022	C-CARBON R	RN72K1J-750JE	1	435037504R1
R2023	C-CARBON R	RN72K1J-750JE	1	435037504R1
R2024	C-CARBON R	RN72K1J-750JE	1	435037504R1
R2025	C-CARBON R	RN72K1J-104JE	1	435031044R1
R2026	C-CARBON R	RN72K1J-104JE	1	435031044R1
R2027	C-CARBON R	RN72K1J-104JE	1	435031044R1
R2028	C-CARBON R	RN72K1J-750JE	1	435037504R1
R2029	C-CARBON R	RN72K1J-104JE	1	435031044R1
R2030	C-CARBON R	RN72K1J-103JE	1	435031034R1

R2031	C-CARBON R	RN72K1J-103JE	1	435031034R1
R2032	C-CARBON R	RN72K1J-103JE	1	435031034R1
R2033	C-CARBON R	RN72K1J-104JE	1	435031044R1
R2034	C-CARBON R	RN72K1J-104JE	1	435031044R1
R2035	C-CARBON R	RN72K1J-103JE	1	435031034R1
R2036	C-CARBON R	RN72K1J-103JE	1	435031034R1
R2038	C-CARBON R	RN72K1J-104JE	1	435031044R1
R2039	C-CARBON R	RN72K1J-104JE	1	435031044R1
R2040	C-CARBON R	RN72K1J-104JE	1	435031044R1
R2041	C-CARBON R	RN72K1J-104JE	1	435031044R1
R2042	C-CARBON R	RN72K1J-104JE	1	435031044R1
R2043	C-CARBON R	RN72K1J-104JE	1	435031044R1
R2046	C-CARBON R	RN72K1J-022JE	1	435030224R1
R2047	C-CARBON R	RN72K1J-022JE	1	435030224R1
R2052	C-CARBON R	RN72K1J-151JE	1	435031514R1
R2053	C-CARBON R	RN72K1J-151JE	1	435031514R1
R2054	C-CARBON R	RN72K1J-151JE	1	435031514R1
R2055	C-CARBON R	RN72K1J-151JE	1	435031514R1
R2056	C-CARBON R	RN72K1J-047JE	1	435030474R1
R2057	C-CARBON R	RN72K1J-750JE	1	435037504R1
R2058	C-CARBON R	RN72K1J-750JE	1	435037504R1
R2059	C-CARBON R	RN72K1J-750JE	1	435037504R1
R2060	C-CARBON R	RN72K1J-104JE	1	435031044R1
R2061	C-CARBON R	RN72K1J-102JE	1	435031024R1
R2062	C-CARBON R	RN72K1J-102JE	1	435031024R1
R2063	C-CARBON R	RN72K1J-103JE	1	435031034R1
R2064	C-CARBON R	RN72K1J-103JE	1	435031034R1
R2065	C-CARBON R	RN72K1J-103JE	1	435031034R1
R2066	C-CARBON R	RN72K1J-104JE	1	435031044R1
R2067	C-CARBON R	RN72K1J-103JE	1	435031034R1
R2068	C-CARBON R	RN72K1J-103JE	1	435031034R1
R2069	C-CARBON R	RN72K1J-104JE	1	435031044R1
R2070	C-CARBON R	RN72K1J-103JE	1	435031034R1
R2074	C-CARBON R	RN72K1J-103JE	1	435031034R1
R2075	C-CARBON R	RN72K1J-680JE	1	435036804R1
R2076	C-CARBON R	RN72K1J-222JE	1	435032224R1
R2077	C-CARBON R	RN72K1J-333JE	1	435033334R1
R2078	C-CARBON R	RN72K1J-103JE	1	435031034R1
R2079	C-CARBON R	RN72K1J-680JE	1	435036804R1
R2080	C-CARBON R	RN72K1J-222JE	1	435032224R1
R2081	C-CARBON R	RN72K1J-333JE	1	435033334R1
R2082	C-CARBON R	RN72K1J-102JE	1	435031024R1
R2083	C-CARBON R	RN72K1J-102JE	1	435031024R1
R2084	C-CARBON R	RN72K1J-102JE	1	435031024R1
R2085	C-CARBON R	RN72K1J-221JE	1	435032214R1
R2086	C-CARBON R	RN72K1J-221JE	1	435032214R1
R2201	C-CARBON R	RN72K1J-750JE	1	435037504R1
R2202	C-CARBON R	RN72K1J-750JE	1	435037504R1
R2203	C-CARBON R	RN72K1J-750JE	1	435037504R1
R2204	C-CARBON R	RN72K1J-750JE	1	435037504R1

R2205	C-CARBON R	RN72K1J-750JE	1	435037504R1
R2206	C-CARBON R	RN72K1J-750JE	1	435037504R1
R2207	C-CARBON R	RN72K1J-750JE	1	435037504R1
R2208	C-CARBON R	RN72K1J-750JE	1	435037504R1
R2209	C-CARBON R	RN72K1J-750JE	1	435037504R1
R2216	C-CARBON R	RN72K1J-103JE	1	435031034R1
R2217	C-CARBON R	RN72K1J-101JE	1	435031014R1
R2218	C-CARBON R	RN72K1J-101JE	1	435031014R1
R2219	C-CARBON R	RN72K1J-022JE	1	435030224R1
R2220	C-CARBON R	RN72K1J-102JE	1	435031024R1
R2221	C-CARBON R	RN72K1J-102JE	1	435031024R1
R2222	C-CARBON R	RN72K1J-102JE	1	435031024R1
R2223	C-CARBON R	RN72K1J-102JE	1	435031024R1
R2227	C-CARBON R	RN72K1J-103JE	1	435031034R1
R2228	C-CARBON R	RN72K1J-103JE	1	435031034R1
R2229	C-CARBON R	RN72K1J-222JE	1	435032224R1
R2230	C-CARBON R	RN72K1J-102JE	1	435031024R1
R2231	C-CARBON R	RN72K1J-022JE	1	435030224R1
R2232	C-CARBON R	RN72K1J-102JE	1	435031024R1
R2233	C-CARBON R	RN72K1J-330JE	1	435033304R1
R2234	C-CARBON R	RN72K1J-330JE	1	435033304R1
R2235	C-CARBON R	RN72K1J-330JE	1	435033304R1
R2237	C-CARBON R	RN72K1J-750JE	1	435037504R1
R2238	C-CARBON R	RN72K1J-033JE	1	435030334R1
R2239	C-CARBON R	RN72K1J-033JE	1	435030334R1
R2240	C-CARBON R	RN72K1J-033JE	1	435030334R1
R2241	C-CARBON R	RN72K1J-750JE	1	435037504R1
R2242	C-CARBON R	RN72K1J-750JE	1	435037504R1
R2246	C-CARBON R	RN72K1J-022JE	1	435030224R1
R2247	C-CARBON R	RN72K1J-102JE	1	435031024R1
R2248	C-CARBON R	RN72K1J-104JE	1	435031044R1
R2250	C-CARBON R	RN72K1J-271JE	1	435032714R1
R2259	C-CARBON R	RN72K1J-102JE	1	435031024R1
R2260	C-CARBON R	RN72K1J-750JE	1	435037504R1
R2261	C-CARBON R	RN72K1J-750JE	1	435037504R1
R2262	C-CARBON R	RN72K1J-750JE	1	435037504R1
R2263	C-CARBON R	RN72K1J-104JE	1	435031044R1
R2264	C-CARBON R	RN72K1J-033JE	1	435030334R1
R2265	C-CARBON R	RN72K1J-033JE	1	435030334R1
R2266	C-CARBON R	RN72K1J-033JE	1	435030334R1
R2271	C-CARBON R	RN72K1J-103JE	1	435031034R1
R2272	C-CARBON R	RN72K1J-103JE	1	435031034R1
R2501	C-CARBON R	RN72K1J-103JE	1	435031034R1
R2502	C-CARBON R	RN72K1J-103JE	1	435031034R1
R2503	C-CARBON R	RN72K1J-821JE	1	435038214R1
R2504	C-CARBON R	RN72K1J-103JE	1	435031034R1
R2505	METAL R	RNU1/2WCJ-0.47	1	453534794T
R2506	C-CARBON R	RN72K1J-103JE	1	435031034R1
R2507	METAL R	RNU1/2WCJ-0.22	1	453532294T
R2508	C-CARBON R	RN72K1J-102JE	1	435031024R1

R2509	C-CARBON R	RN72K1J-473JE	1	435034734R1
R2510	METAL R	RNU1WCJ-0.22	1	453632294T
R2511	C-CARBON R	RN72K2E-015JE	1	435220154R1
R2512	METAL R	RNU2WCJ-4.7	1	452730474F
R2513	METAL R	RNU2WCJ-4.7	1	452730474F
R2514	METAL R	RNU2WCJ-4.7	1	452730474F
R2515	C-CARBON R	RN72K1J-471JE	1	435034714R1
R2516	C-CARBON R	RN72K1J-471JE	1	435034714R1
R2601	C-CARBON R	RN72K1J-101JE	1	435031014R1
R2602	C-CARBON R	RN72K1J-101JE	1	435031014R1
R2603	C-CARBON R	RN72K1J-039JE	1	435030394R1
R2604	C-CARBON R	RN72K1J-224JE	1	435032244R1
R2605	C-CARBON R	RN72K1J-102JE	1	435031024R1
R2606	C-CARBON R	RN72K1J-039JE	1	435030394R1
R2607	C-CARBON R	RN72K1J-224JE	1	435032244R1
R2608	C-CARBON R	RN72K1J-102JE	1	435031024R1
R2609	C-CARBON R	RN72K1J-039JE	1	435030394R1
R2610	C-CARBON R	RN72K1J-224JE	1	435032244R1
R2611	C-CARBON R	RN72K1J-102JE	1	435031024R1
R2612	C-CARBON R	RN72K1J-470JE	1	435034704R1
R2613	C-CARBON R	RN72K1J-101JE	1	435031014R1
R2614	C-CARBON R	RN72K1J-103JE	1	435031034R1
R2615	C-CARBON R	RN72K1J-000JE	1	435030004R1
R2619	C-CARBON R	RN72K1J-000JE	1	435030004R1
R2621	C-CARBON R	RN72K1J-470JE	1	435034704R1
R4001	C-CARBON R	RN72K1J-331JE	1	435033314R1
R4002	C-CARBON R	RN72K1J-331JE	1	435033314R1
R4003	C-CARBON R	RN72K1J-563JE	1	435035634R1
R4004	C-CARBON R	RN72K1J-563JE	1	435035634R1
R4005	C-CARBON R	RN72K1J-331JE	1	435033314R1
R4006	C-CARBON R	RN72K1J-331JE	1	435033314R1
R4007	C-CARBON R	RN72K1J-224JE	1	435032244R1
R4008	C-CARBON R	RN72K1J-224JE	1	435032244R1
R4009	C-CARBON R	RN72K1J-331JE	1	435033314R1
R4010	C-CARBON R	RN72K1J-331JE	1	435033314R1
R4011	C-CARBON R	RN72K1J-563JE	1	435035634R1
R4012	C-CARBON R	RN72K1J-563JE	1	435035634R1
R4013	C-CARBON R	RN72K1J-470JE	1	435034704R1
R4014	C-CARBON R	RN72K1J-470JE	1	435034704R1
R4015	C-CARBON R	RN72K1J-224JE	1	435032244R1
R4016	C-CARBON R	RN72K1J-224JE	1	435032244R1
R4017	C-CARBON R	RN72K1J-331JE	1	435033314R1
R4018	C-CARBON R	RN72K1J-331JE	1	435033314R1
R4019	C-CARBON R	RN72K1J-563JE	1	435035634R1
R4020	C-CARBON R	RN72K1J-563JE	1	435035634R1
R4021	C-CARBON R	RN72K1J-331JE	1	435033314R1
R4022	C-CARBON R	RN72K1J-331JE	1	435033314R1
R4023	C-CARBON R	RN72K1J-563JE	1	435035634R1
R4024	C-CARBON R	RN72K1J-563JE	1	435035634R1
R4025	C-CARBON R	RN72K1J-331JE	1	435033314R1

R4026	C-CARBON R	RN72K1J-331JE	1	435033314R1
R4027	C-CARBON R	RN72K1J-563JE	1	435035634R1
R4028	C-CARBON R	RN72K1J-563JE	1	435035634R1
R4029	C-CARBON R	RN72K1J-331JE	1	435033314R1
R4030	C-CARBON R	RN72K1J-331JE	1	435033314R1
R4031	C-CARBON R	RN72K1J-563JE	1	435035634R1
R4032	C-CARBON R	RN72K1J-563JE	1	435035634R1
R4033	C-CARBON R	RN72K1J-331JE	1	435033314R1
R4034	C-CARBON R	RN72K1J-331JE	1	435033314R1
R4035	C-CARBON R	RN72K1J-563JE	1	435035634R1
R4036	C-CARBON R	RN72K1J-563JE	1	435035634R1
R4037	C-CARBON R	RN72K1J-224JE	1	435032244R1
R4038	C-CARBON R	RN72K1J-224JE	1	435032244R1
R4041	C-CARBON R	RN72K1J-100JE	1	435031004R1
R4042	C-CARBON R	RN72K1J-100JE	1	435031004R1
R4043	C-CARBON R	RN72K1J-101JE	1	435031014R1
R4044	C-CARBON R	RN72K1J-101JE	1	435031014R1
R4045	C-CARBON R	RN72K1J-221JE	1	435032214R1
R4046	C-CARBON R	RN72K1J-221JE	1	435032214R1
R4047	C-CARBON R	RN72K1J-224JE	1	435032244R1
R4048	C-CARBON R	RN72K1J-224JE	1	435032244R1
R4051	C-CARBON R	RN72K1J-100JE	1	435031004R1
R4052	C-CARBON R	RN72K1J-100JE	1	435031004R1
R4053	C-CARBON R	RN72K1J-101JE	1	435031014R1
R4054	C-CARBON R	RN72K1J-101JE	1	435031014R1
R4055	C-CARBON R	RN72K1J-221JE	1	435032214R1
R4056	C-CARBON R	RN72K1J-221JE	1	435032214R1
R4057	C-CARBON R	RN72K1J-224JE	1	435032244R1
R4058	C-CARBON R	RN72K1J-224JE	1	435032244R1
R4061	C-CARBON R	RN72K1J-224JE	1	435032244R1
R4062	C-CARBON R	RN72K1J-224JE	1	435032244R1
R4065	C-CARBON R	RN72K1J-224JE	1	435032244R1
R4066	C-CARBON R	RN72K1J-224JE	1	435032244R1
R4069	C-CARBON R	RN72K1J-224JE	1	435032244R1
R4070	C-CARBON R	RN72K1J-224JE	1	435032244R1
R4073	C-CARBON R	RN72K1J-224JE	1	435032244R1
R4074	C-CARBON R	RN72K1J-224JE	1	435032244R1
R4077	C-CARBON R	RN72K1J-102JE	1	435031024R1
R4078	C-CARBON R	RN72K1J-102JE	1	435031024R1
R4079	C-CARBON R	RN72K1J-563JE	1	435035634R1
R4080	C-CARBON R	RN72K1J-563JE	1	435035634R1
R4081	METAL O R	RS1/2WBJ-2.7K	1	443522724T
R4082	METAL O R	RS1/2WBJ-2.7K	1	443522724T
R4083	C-CARBON R	RN72K1J-223JE	1	435032234R1
R4084	C-CARBON R	RN72K1J-223JE	1	435032234R1
R4085	C-CARBON R	RN72K1J-224JE	1	435032244R1
R4086	C-CARBON R	RN72K1J-224JE	1	435032244R1
R4087	C-CARBON R	RN72K1J-272JE	1	435032724R1
R4088	C-CARBON R	RN72K1J-272JE	1	435032724R1
R4089	C-CARBON R	RN72K1J-332JE	1	435033324R1

R4090	C-CARBON R	RN72K1J-332JE	1	435033324R1
R4091	C-CARBON R	RN72K1J-332JE	1	435033324R1
R4092	C-CARBON R	RN72K1J-332JE	1	435033324R1
R4093	C-CARBON R	RN72K1J-393JE	1	435033934R1
R4094	C-CARBON R	RN72K1J-393JE	1	435033934R1
R4095	C-CARBON R	RN72K1J-474JE	1	435034744R1
R4096	C-CARBON R	RN72K1J-474JE	1	435034744R1
R4097	C-CARBON R	RN72K1J-821JE	1	435038214R1
R4098	C-CARBON R	RN72K1J-821JE	1	435038214R1
R4099	C-CARBON R	RN72K1J-821JE	1	435038214R1
R4100	C-CARBON R	RN72K1J-821JE	1	435038214R1
R4101	C-CARBON R	RN72K1J-224JE	1	435032244R1
R4102	C-CARBON R	RN72K1J-224JE	1	435032244R1
R4113	NF CARBON R	R25J-100	1	415471014T
R4114	NF CARBON R	R25J-100	1	415471014T
R4115	METAL O R	RS1/2WBJ-22	1	443522204T
R4116	METAL O R	RS1/2WBJ-22	1	443522204T
R4117	METAL O R	RS1/2WBJ-22	1	443522204T
R4118	METAL O R	RS1/2WBJ-22	1	443522204T
R4119	METAL O R	RS1/2WBJ-22	1	443522204T
R4120	METAL O R	RS1/2WBJ-22	1	443522204T
R4121	C-CARBON R	RN72K1J-222JE	1	435032224R1
R4122	C-CARBON R	RN72K1J-222JE	1	435032224R1
R4123	C-CARBON R	RN72K1J-000JE	1	435030004R1
R4124	C-CARBON R	RN72K1J-000JE	1	435030004R1
R4125	C-CARBON R	RN72K1J-224JE	1	435032244R1
R4126	C-CARBON R	RN72K1J-224JE	1	435032244R1
R4127	METAL O R	RS1/2WBJ-22	1	443522204T
R4128	METAL O R	RS1/2WBJ-22	1	443522204T
R4129	C-CARBON R	RN72K1J-103JE	1	435031034R1
R4130	C-CARBON R	RN72K1J-103JE	1	435031034R1
R4131	C-CARBON R	RN72K1J-103JE	1	435031034R1
R4133	C-CARBON R	RN72K1J-220JE	1	435032204R1
R4134	C-CARBON R	RN72K1J-220JE	1	435032204R1
R4135	C-CARBON R	RN72K1J-220JE	1	435032204R1
R4136	C-CARBON R	RN72K1J-220JE	1	435032204R1
R4151	C-CARBON R	RN72K1J-224JE	1	435032244R1
R4152	C-CARBON R	RN72K1J-224JE	1	435032244R1
R4153	C-CARBON R	RN72K1J-224JE	1	435032244R1
R4154	C-CARBON R	RN72K1J-224JE	1	435032244R1
R4155	C-CARBON R	RN72K1J-224JE	1	435032244R1
R4156	C-CARBON R	RN72K1J-224JE	1	435032244R1
R4157	C-CARBON R	RN72K1J-224JE	1	435032244R1
R4158	C-CARBON R	RN72K1J-224JE	1	435032244R1
R4159	C-CARBON R	RN72K1J-103JE	1	435031034R1
R4160	C-CARBON R	RN72K1J-103JE	1	435031034R1
R4161	C-CARBON R	RN72K1J-103JE	1	435031034R1
R4162	C-CARBON R	RN72K1J-103JE	1	435031034R1
R4163	C-CARBON R	RN72K1J-224JE	1	435032244R1
R4164	C-CARBON R	RN72K1J-224JE	1	435032244R1

R4165	C-CARBON R	RN72K1J-101JE	1	435031014R1
R4166	C-CARBON R	RN72K1J-101JE	1	435031014R1
R4167	C-CARBON R	RN72K1J-104JE	1	435031044R1
R4168	C-CARBON R	RN72K1J-104JE	1	435031044R1
R4169	C-CARBON R	RN72K1J-473JE	1	435034734R1
R4170	C-CARBON R	RN72K1J-101JE	1	435031014R1
R4171	C-CARBON R	RN72K1J-104JE	1	435031044R1
R4175	C-CARBON R	RN72K1J-221JE	1	435032214R1
R4176	C-CARBON R	RN72K1J-221JE	1	435032214R1
R4177	C-CARBON R	RN72K1J-102JE	1	435031024R1
R4178	C-CARBON R	RN72K1J-102JE	1	435031024R1
R4179	C-CARBON R	RN72K1J-122JE	1	435031224R1
R4180	C-CARBON R	RN72K1J-122JE	1	435031224R1
R4217	C-CARBON R	RN72K1J-224JE	1	435032244R1
R4218	C-CARBON R	RN72K1J-224JE	1	435032244R1
R4219	C-CARBON R	RN72K1J-221JE	1	435032214R1
R4220	C-CARBON R	RN72K1J-221JE	1	435032214R1
R4221	C-CARBON R	RN72K1J-101JE	1	435031014R1
R4222	C-CARBON R	RN72K1J-101JE	1	435031014R1
R4223	C-CARBON R	RN72K1J-100JE	1	435031004R1
R4224	C-CARBON R	RN72K1J-100JE	1	435031004R1
R4225	C-CARBON R	RN72K1J-224JE	1	435032244R1
R4226	C-CARBON R	RN72K1J-224JE	1	435032244R1
R4227	C-CARBON R	RN72K1J-470JE	1	435034704R1
R4228	C-CARBON R	RN72K1J-470JE	1	435034704R1
R4229	C-CARBON R	RN72K1J-224JE	1	435032244R1
R4230	C-CARBON R	RN72K1J-224JE	1	435032244R1
R4231	C-CARBON R	RN72K1J-221JE	1	435032214R1
R4232	C-CARBON R	RN72K1J-221JE	1	435032214R1
R4233	C-CARBON R	RN72K1J-101JE	1	435031014R1
R4234	C-CARBON R	RN72K1J-101JE	1	435031014R1
R4235	C-CARBON R	RN72K1J-100JE	1	435031004R1
R4236	C-CARBON R	RN72K1J-100JE	1	435031004R1
R4237	C-CARBON R	RN72K1J-224JE	1	435032244R1
R4238	C-CARBON R	RN72K1J-224JE	1	435032244R1
R4239	C-CARBON R	RN72K1J-470JE	1	435034704R1
R4240	C-CARBON R	RN72K1J-470JE	1	435034704R1
R4241	C-CARBON R	RN72K1J-224JE	1	435032244R1
R4242	C-CARBON R	RN72K1J-224JE	1	435032244R1
R4243	C-CARBON R	RN72K1J-221JE	1	435032214R1
R4244	C-CARBON R	RN72K1J-221JE	1	435032214R1
R4245	C-CARBON R	RN72K1J-101JE	1	435031014R1
R4246	C-CARBON R	RN72K1J-101JE	1	435031014R1
R4247	C-CARBON R	RN72K1J-100JE	1	435031004R1
R4248	C-CARBON R	RN72K1J-100JE	1	435031004R1
R4249	C-CARBON R	RN72K1J-224JE	1	435032244R1
R4250	C-CARBON R	RN72K1J-224JE	1	435032244R1
R4251	C-CARBON R	RN72K1J-470JE	1	435034704R1
R4252	C-CARBON R	RN72K1J-470JE	1	435034704R1
R4257	C-CARBON R	RN72K1J-224JE	1	435032244R1

R4258	C-CARBON R	RN72K1J-224JE	1	435032244R1
R4301	METAL O R	RS1/2WBJ-22	1	443522204T
R4302	METAL O R	RS1/2WBJ-22	1	443522204T
R4303	C-CARBON R	RN72K1J-560JE	1	435035604R1
R4304	C-CARBON R	RN72K1J-560JE	1	435035604R1
R4305	C-CARBON R	RN72K1J-152JE	1	435031524R1
R4306	C-CARBON R	RN72K1J-152JE	1	435031524R1
R4307	C-CARBON R	RN72K1J-123JE	1	435031234R1
R4308	C-CARBON R	RN72K1J-123JE	1	435031234R1
R4309	C-CARBON R	RN72K1J-222JE	1	435032224R1
R4310	C-CARBON R	RN72K1J-222JE	1	435032224R1
R4311	C-CARBON R	RN72K1J-123JE	1	435031234R1
R4312	C-CARBON R	RN72K1J-123JE	1	435031234R1
R4313	C-CARBON R	RN72K1J-222JE	1	435032224R1
R4314	C-CARBON R	RN72K1J-222JE	1	435032224R1
R4315	C-CARBON R	RN72K1J-103JE	1	435031034R1
R4316	C-CARBON R	RN72K1J-103JE	1	435031034R1
R4319	C-CARBON R	RN72K1J-103JE	1	435031034R1
R4320	C-CARBON R	RN72K1J-103JE	1	435031034R1
R4321	C-CARBON R	RN72K1J-103JE	1	435031034R1
R4322	C-CARBON R	RN72K1J-103JE	1	435031034R1
R4323	C-CARBON R	RN72K1J-103JE	1	435031034R1
R4324	C-CARBON R	RN72K1J-103JE	1	435031034R1
R4327	C-CARBON R	RN72K1J-103JE	1	435031034R1
R4328	C-CARBON R	RN72K1J-103JE	1	435031034R1
R4329	C-CARBON R	RN72K1J-224JE	1	435032244R1
R4330	C-CARBON R	RN72K1J-224JE	1	435032244R1
R4331	C-CARBON R	RN72K1J-103JE	1	435031034R1
R4332	C-CARBON R	RN72K1J-103JE	1	435031034R1
R4335	C-CARBON R	RN72K1J-103JE	1	435031034R1
R4336	C-CARBON R	RN72K1J-103JE	1	435031034R1
R4337	C-CARBON R	RN72K1J-103JE	1	435031034R1
R4338	C-CARBON R	RN72K1J-103JE	1	435031034R1
R4339	C-CARBON R	RN72K1J-103JE	1	435031034R1
R4340	C-CARBON R	RN72K1J-103JE	1	435031034R1
R4341	C-CARBON R	RN72K1J-103JE	1	435031034R1
R4342	C-CARBON R	RN72K1J-103JE	1	435031034R1
R4343	C-CARBON R	RN72K1J-103JE	1	435031034R1
R4344	C-CARBON R	RN72K1J-103JE	1	435031034R1
R4345	C-CARBON R	RN72K1J-103JE	1	435031034R1
R4347	C-CARBON R	RN72K1J-224JE	1	435032244R1
R4348	C-CARBON R	RN72K1J-224JE	1	435032244R1
R4401	METAL O R	RS1/2WBJ-22	1	442522204F
R4402	METAL O R	RS1/2WBJ-22	1	442522204F
R4403	C-CARBON R	RN72K1J-222JE	1	435032224R1
R4404	C-CARBON R	RN72K1J-222JE	1	435032224R1
R4405	C-CARBON R	RN72K1J-331JE	1	435033314R1
R4406	C-CARBON R	RN72K1J-331JE	1	435033314R1
R4407	METAL O R	RS1/2WBJ-1.2K	1	443521224T
R4408	C-CARBON R	RN72K1J-331JE	1	435033314R1

R4409	C-CARBON R	RN72K1J-222JE	1	435032224R1
R4410	C-CARBON R	RN72K1J-331JE	1	435033314R1
R4411	C-CARBON R	RN72K1J-331JE	1	435033314R1
R4412	C-CARBON R	RN72K1J-222JE	1	435032224R1
R4413	C-CARBON R	RN72K1J-224JE	1	435032244R1
R4414	C-CARBON R	RN72K1J-224JE	1	435032244R1
R4415	C-CARBON R	RN72K1J-224JE	1	435032244R1
R4416	C-CARBON R	RN72K1J-222JE	1	435032224R1
R4417	C-CARBON R	RN72K1J-182JE	1	435031824R1
R4418	C-CARBON R	RN72K1J-183JE	1	435031834R1
R4419	METAL O R	RS1/2WBJ-22	1	443522204T
R4420	METAL O R	RS1/2WBJ-22	1	443522204T
R4421	C-CARBON R	RN72K1J-182JE	1	435031824R1
R4422	C-CARBON R	RN72K1J-182JE	1	435031824R1
R4501	C-CARBON R	RN72K1J-182JE	1	435031824R1
R4502	C-CARBON R	RN72K1J-182JE	1	435031824R1
R4503	C-CARBON R	RN72K1J-473JE	1	435034734R1
R4504	C-CARBON R	RN72K1J-473JE	1	435034734R1
R4505	C-CARBON R	RN72K1J-223JE	1	435032234R1
R4506	C-CARBON R	RN72K1J-223JE	1	435032234R1
R4507	C-CARBON R	RN72K1J-563JE	1	435035634R1
R4508	C-CARBON R	RN72K1J-563JE	1	435035634R1
R4509	C-CARBON R	RN72K1J-272JE	1	435032724R1
R4510	C-CARBON R	RN72K1J-272JE	1	435032724R1
R4511	C-CARBON R	RN72K1J-272JE	1	435032724R1
R4512	C-CARBON R	RN72K1J-272JE	1	435032724R1
R4513	METAL O R	RS1/2WBJ-47	1	443524704T
R4514	METAL O R	RS1/2WBJ-47	1	443524704T
R4515	METAL O R	RS1/2WBJ-47	1	443524704T
R4516	METAL O R	RS1/2WBJ-47	1	443524704T
R4517	C-CARBON R	RN72K1J-182JE	1	435031824R1
R4518	C-CARBON R	RN72K1J-104JE	1	435031044R1
R4519	C-CARBON R	RN72K1J-390JE	1	435033904R1
R4600	C-CARBON R	RN72K1J-331JE	1	435033314R1
R4601	C-CARBON R	RN72K1J-331JE	1	435033314R1
R4602	C-CARBON R	RN72K1J-331JE	1	435033314R1
R4603	C-CARBON R	RN72K1J-331JE	1	435033314R1
R4604	C-CARBON R	RN72K1J-331JE	1	435033314R1
R4605	C-CARBON R	RN72K1J-331JE	1	435033314R1
R4606	C-CARBON R	RN72K1J-331JE	1	435033314R1
R4607	C-CARBON R	RN72K1J-331JE	1	435033314R1
R4610	C-CARBON R	RN72K1J-563JE	1	435035634R1
R4611	C-CARBON R	RN72K1J-563JE	1	435035634R1
R4612	C-CARBON R	RN72K1J-563JE	1	435035634R1
R4613	C-CARBON R	RN72K1J-563JE	1	435035634R1
R4614	C-CARBON R	RN72K1J-563JE	1	435035634R1
R4615	C-CARBON R	RN72K1J-563JE	1	435035634R1
R4616	C-CARBON R	RN72K1J-563JE	1	435035634R1
R4617	C-CARBON R	RN72K1J-563JE	1	435035634R1
R4620	C-CARBON R	RN72K1J-224JE	1	435032244R1

R4621	C-CARBON R	RN72K1J-224JE	1	435032244R1
R4622	C-CARBON R	RN72K1J-224JE	1	435032244R1
R4623	C-CARBON R	RN72K1J-224JE	1	435032244R1
R4624	C-CARBON R	RN72K1J-224JE	1	435032244R1
R4625	C-CARBON R	RN72K1J-224JE	1	435032244R1
R4626	C-CARBON R	RN72K1J-224JE	1	435032244R1
R4627	C-CARBON R	RN72K1J-224JE	1	435032244R1
R4632	C-CARBON R	RN72K1J-224JE	1	435032244R1
R4633	C-CARBON R	RN72K1J-224JE	1	435032244R1
R4634	C-CARBON R	RN72K1J-224JE	1	435032244R1
R4635	C-CARBON R	RN72K1J-224JE	1	435032244R1
R4636	C-CARBON R	RN72K1J-224JE	1	435032244R1
R4637	C-CARBON R	RN72K1J-224JE	1	435032244R1
R4640	C-CARBON R	RN72K1J-224JE	1	435032244R1
R4641	C-CARBON R	RN72K1J-224JE	1	435032244R1
R4642	C-CARBON R	RN72K1J-224JE	1	435032244R1
R4643	C-CARBON R	RN72K1J-223JE	1	435032234R1
R4644	C-CARBON R	RN72K1J-224JE	1	435032244R1
R4645	C-CARBON R	RN72K1J-224JE	1	435032244R1
R4646	C-CARBON R	RN72K1J-224JE	1	435032244R1
R4647	C-CARBON R	RN72K1J-224JE	1	435032244R1
R4650	C-CARBON R	RN72K1J-221JE	1	435032214R1
R4651	C-CARBON R	RN72K1J-221JE	1	435032214R1
R4652	C-CARBON R	RN72K1J-221JE	1	435032214R1
R4653	C-CARBON R	RN72K1J-221JE	1	435032214R1
R4654	C-CARBON R	RN72K1J-221JE	1	435032214R1
R4655	C-CARBON R	RN72K1J-221JE	1	435032214R1
R4656	C-CARBON R	RN72K1J-221JE	1	435032214R1
R4657	C-CARBON R	RN72K1J-221JE	1	435032214R1
R4660	C-CARBON R	RN72K1J-101JE	1	435031014R1
R4661	C-CARBON R	RN72K1J-101JE	1	435031014R1
R4662	C-CARBON R	RN72K1J-101JE	1	435031014R1
R4663	C-CARBON R	RN72K1J-101JE	1	435031014R1
R4664	C-CARBON R	RN72K1J-101JE	1	435031014R1
R4665	C-CARBON R	RN72K1J-101JE	1	435031014R1
R4666	C-CARBON R	RN72K1J-101JE	1	435031014R1
R4667	C-CARBON R	RN72K1J-101JE	1	435031014R1
R4670	C-CARBON R	RN72K1J-100JE	1	435031004R1
R4671	C-CARBON R	RN72K1J-100JE	1	435031004R1
R4672	C-CARBON R	RN72K1J-100JE	1	435031004R1
R4673	C-CARBON R	RN72K1J-100JE	1	435031004R1
R4674	C-CARBON R	RN72K1J-100JE	1	435031004R1
R4675	C-CARBON R	RN72K1J-100JE	1	435031004R1
R4676	C-CARBON R	RN72K1J-100JE	1	435031004R1
R4677	C-CARBON R	RN72K1J-100JE	1	435031004R1
R4680	C-CARBON R	RN72K1J-224JE	1	435032244R1
R4681	C-CARBON R	RN72K1J-224JE	1	435032244R1
R4682	C-CARBON R	RN72K1J-224JE	1	435032244R1
R4683	C-CARBON R	RN72K1J-224JE	1	435032244R1
R4684	C-CARBON R	RN72K1J-224JE	1	435032244R1

R4685	C-CARBON R	RN72K1J-224JE	1	435032244R1	
R4686	C-CARBON R	RN72K1J-224JE	1	435032244R1	
R4687	C-CARBON R	RN72K1J-224JE	1	435032244R1	
R4690	C-CARBON R	RN72K1J-470JE	1	435034704R1	
R4691	C-CARBON R	RN72K1J-470JE	1	435034704R1	
R4692	C-CARBON R	RN72K1J-470JE	1	435034704R1	
R4693	C-CARBON R	RN72K1J-470JE	1	435034704R1	
R4694	C-CARBON R	RN72K1J-470JE	1	435034704R1	
R4695	C-CARBON R	RN72K1J-470JE	1	435034704R1	
R4696	C-CARBON R	RN72K1J-470JE	1	435034704R1	
R4697	C-CARBON R	RN72K1J-470JE	1	435034704R1	
RL4401	RELAY	NRL-2P2A-DC12-178	1	25065664	
RL4402	RELAY	NRL-2P2A-DC12-178	1	25065664	
RL4403	RELAY	NRL-2P2A-DC12-178	1	25065664	
RL4404	RELAY	NRL-2P2A-DC12-178	1	25065664	
RL4501	RELAY	NRL-2P5A-DC12-187	1	25065685	
F2501A	FUSE HOL	NSCT-1P2031	1	25052133T	!
F2501B	FUSE HOL	NSCT-1P2031	1	25052133T	!
F2502A	FUSE HOL	NSCT-1P2031	1	25052133T	!
F2502B	FUSE HOL	NSCT-1P2031	1	25052133T	!
J4001	JMP WIRE	TA075	1	78003	
J4002	JMP WIRE	TA075	1	78003	
J4003	JMP WIRE	TA075	1	78003	
J4004	JMP WIRE	TA075	1	78003	
J4005	JMP WIRE	TA075	1	78003	
J4006	JMP WIRE	TA075	1	78003	
J4007	JMP WIRE	TA075	1	78003	
JL2601B	WIRE TRAP	NPLG-3P586	1	25055624	
JL4013B	SOCKET	NSCT-5P97	1	25050269	
JL4014B	SOCKET	NSCT-6P98	1	25050270	
JL4015A	WIRE HOL	NSCT-4P895	1	25051108	
JL8002A	WIRE HOL	NSCT-5P876	1	25051089	
JL901B	WIRE TRAP	NPLG-7P590	1	25055628	
P2001	PIN JACK	NPJ-10PDSY628	1	25045849	
P2001 or	PIN JACK	NPJ-10PDBY481	(1)	25045684	
P2002	PIN JACK	NPJ-10PDSY628	1	25045849	
P2002 or	PIN JACK	NPJ-10PDBY481	(1)	25045684	
P2003	PIN JACK	NPJ-10PDSY628	1	25045849	
P2003 or	PIN JACK	NPJ-10PDBY481	(1)	25045684	
P2004	PIN JACK	NPJ-5PDSY629	1	25045850	
P2004 or	PIN JACK	NPJ-5PDBY482	(1)	25045685	
P2005	PIN JACK	NPJ-1PDY655	1	25045882	
P2010A	PLUG	IMSA-9142B-24A	1	25056602	
P2201	PIN JACK	NPJ-6PDGLR649	1	25045874	
P2202	PIN JACK	NPJ-9PDGLR630	1	25045851	
P2202 or	PIN JACK	NPJ-9PDGLR520	(1)	25045732	
P2502	PLUG	NPLG-3P117	1	25055133	
P2602	ST JACK	HSJ1002-01-6020	1	25045647	
P2603	ST JACK	HSJ1002-01-6020	1	25045647	
P2604	ST JACK	HSJ1002-01-6020	1	25045647	

P2605	TRM(SCREW)	NEJITANSI M3	1	25065425	
P2801A	SOCKET	NSCT-31P2124	1	25052227	
P2991	RETAINER	(JOINT)	1	27142069	
P4001	PIN JACK	NPJ-2PDWR583	1	25045803	
P4001 or	PIN JACK	NPJ-2PDBL249	(1)	25045424	
P4003	PIN JACK	NPJ-6PDRW665	1	25045894	
P4003 or	PIN JACK	NPJ-6PDBL380	(1)	25045565	
P4004	PIN JACK	NPJ-6PDRW665	1	25045894	
P4004 or	PIN JACK	NPJ-6PDBL380	(1)	25045565	
P4005	PIN JACK	NPJ-6PDRW665	1	25045894	
P4005 or	PIN JACK	NPJ-6PDBL380	(1)	25045565	
P4006	PIN JACK	NPJ-4PDGPRW659	1	25045888	
P4006 or	PIN JACK	NPJ-4PDGPRW503	(1)	25045708	
P4007	PIN JACK	NPJ-4PDELNT660	1	25045889	
P4007 or	PIN JACK	NPJ-4PDELNT505	(1)	25045710	
P4008	PIN JACK	NPJ-6PDPWR654	1	25045881	
P4009	PIN JACK	NPJ-4PDGPRW659	1	25045888	
P4009 or	PIN JACK	NPJ-4PDGPRW503	(1)	25045708	
P4010	PIN JACK	NPJ-4PDELNT660	1	25045889	
P4010 or	PIN JACK	NPJ-4PDELNT505	(1)	25045710	
P4020A	PLUG	IMSA-9142B-26A	1	25056603	
P4021A	PLUG	IMSA-9142B-26A	1	25056603	
P4030A	PLUG	NPLG-9P661	1	25055705	
P4030B	SOCKET	NSCT-9P1024	1	25051234	
P4032A	PLUG	NPLG-8P660	1	25055704	
P4033A	PLUG	NPLG-13P665	1	25055709	
P4100	SOCKET	9210B-1-08Z140-PT1	1	25053243	
P4101	SOCKET	9210B-1-08Z140-PT1	1	25053243	
P4201	TRM(SCREW)	NEJITANSI M3	1	25065425	
P4202	TRM	NTM-1P233(M1969)	1	25060302	
P5000	PLUG	NPLG-13P360	1	25055377	
P5001B	CRIMP AS	CRIMP SR805_2	1	20799170UL	
P5112	SOCKET AS	NSAS-4P1696	1	200B3190420UL	

U06 POWER SUPPLY PC BOARD (NAASP-9057-2A/2B)

U07 INLET PC BOARD (NAASP-9058-2A/2B)

REF. NO.	PART NAME	DESCRIPTION	Q'TY	PART NO. (SN)	REMARKS
Q9101	TR	2SC1815-GR	1	2211255T	
Q9200	TR	2SC1815-GR	1	2211255T	
D9000	DIODE	ISS133	1	223163T	
D9001	DIODE	ISS133	1	223163T	
D9002	DIODE	ISS133	1	223163T	
D9003	DIODE	ISS133	1	223163T	
D9004	DIODE	RLIN4003	1	22380260T	
D9004 or	DIODE	GP104003E	(1)	22380035T	
D9005	DIODE	ISS133	1	223163T	
D9006	DIODE	ISS133	1	223163T	
D9007	ZENER D	MTZJ5.1B	1	224470512T	
D9008	DIODE	ISS133	1	223163T	

D9009	DIODE	ISS133	1	223163T	
D9101	DIODE	ISS133	1	223163T	
D9200	DIODE	ISS133	1	223163T	
T9000	P TRANS	NPT-1520JQ	1	2301812A	!, <DD>
T9000	P TRANS	NPT-1520GQ	1	2301813A	!, <MA>
C9000	TF C	ECQ-B50V-223J	1	374722234T	
C9001	VR C	CE04W25V-2200M(VR)	1	394652227S	<DD>
C9001	VR C	CE04W16V-2200M(VR)	1	394642227S	<MA>
C9002	UTSP C	CE04W50V-4.7M(UTSP)	1	397580477T	
C9008	UTSP C	CE04W25V-100M(UTSP)	1	397551017T	
C9116	TF C	ECQ-B50V-103J	1	374721034T	
C9119	TF C	ECQ-B50V-223J	1	374722234T	
C9201	TF C	ECQ-B50V-103J	1	374721034T	
R9005	CARBON R	R16J-27	1	417342704T	
R9107	CARBON R	R16J-1K	1	417341024T	
R9108	CARBON R	R16J-100K	1	417341044T	
R9109	CARBON R	R16J-180	1	417341814T	
R9200	CARBON R	R16J-1K	1	417341024T	
R9201	CARBON R	R16J-100K	1	417341044T	
R9202	CARBON R	R16J-100	1	417341014T	
RL9101	RELAY	NRL-1P5A-DC9-179	1	25065669	!
RL9200	RELAY	NRL-1P5A-DC9-179	1	25065669	!
E9000	TRM(SCREW)	NEJITANSI M3	1	25065425	<MA>
E9100	TRM(SCREW)	NEJITANSI M3	1	25065425	
F9000A	FUSE HOL	NSCT-1P2031	1	25052133T	!, <DD>
F9000B	FUSE HOL	NSCT-1P2031	1	25052133T	!, <DD>
JL901A	WIRE HOL	NSCT-7P878	1	25051091	
P9000	AC INLET	NPLG-2P913	1	25055960	!
P9001	AC OUTLET	AC-181-UL-11V	1	25053030	!, <DD>
P9006C	CRIMP AS	CRIMP AS	1	206CC45159UL	
P9007C	CRIMP AS	CRIMP AS	1	206CC45150UL	
P9100	PLUG	NPLG-2P632	1	25055676	!
P9200	PLUG	NPLG-2P632	1	25055676	!
P9300	PLUG	NPLG-2P632	1	25055676	!

U08 DSP PC BOARD (NADSP-9072-1A)

REF. NO.	PART NAME	DESCRIPTION	Q'TY	PART NO. (SN)	REMARKS
Q3301	IC	TC74VHC157FT	1	22274157ER2TO	
Q3311	IC	TC74VHC157FT	1	22274157ER2TO	
Q3325	IC	TC74VHC157FT	1	22274157ER2TO	
Q3331	IC	TC74VHC157FT	1	22274157ER2TO	
Q3351	IC	TC74VHC157FT	1	22274157ER2TO	
Q3371	IC	TC74VHC157FT	1	22274157ER2TO	
Q3391	IC	TC74VHCT08AFT E KJ)	1	22274008G1R2TO	
Q3391 or	IC	TC74VHCT08AFT	(1)	22274008GR2TO	
Q3401	IC	D790E001BZDH275	1	---	NRP
Q3401 or	IC	D710E001BZDH275	1	---	NRP
Q3451	IC	ES29LV160ET-70TG	1	222W0069R3	
Q3451 or	IC	S29AL016D70TFI010	(1)	222W0063R3	

Q3461	IC	RMS116T(LF)	1	22242340R3	
Q3461 or	IC	M12L16161A-7TG	(1)	22242278R3	
Q3461 or	IC	IC42S16100	(1)	22242123R2	
Q3461 or	IC	IC42S16100	(1)	22242123R3	
Q3471	IC	RMS116T(LF)	1	22242340R3	
Q3471 or	IC	M12L16161A-7TG	(1)	22242278R3	
Q3471 or	IC	IC42S16100	(1)	22242123R2	
Q3471 or	IC	IC42S16100	(1)	22242123R3	
Q3481	IC	TC7WU04FU(TE12L_F)	1	22240935R2	
Q3491	IC	TC74VHC541FT	1	22274541ER2TO	
Q3491 or	IC	TC74VHC541FT(EKJ)	(1)	22274541E1R2TO	
Q3501	IC	D788E001BRFP266	1	---	NRP
Q3501 or	IC	D708E001BRFP266	(1)	---	NRP
Q3551	IC	ES29LV400ET-70TG	1	222W0065R3	
Q3551 or	IC	S29AL004D70TFI010	(1)	222W0061R3	
Q3561	IC	RMS116T(LF)	1	22242340R3	
Q3561 or	IC	M12L16161A-7TG	(1)	22242278R3	
Q3561 or	IC	IC42S16100	(1)	22242123R2	
Q3561 or	IC	IC42S16100	(1)	22242123R3	
Q3571	IC	TC7WU04FU(TE12L_F)	1	22240935R2	
Q3601	IC	D707E001BRFP250	1	---	NRP
Q3651	IC	ES29LV800ET-70TG	1	222W0068R3	
Q3651 or	IC	S29AL008D70TFI010	(1)	222W0062R3	
Q3661	IC	IS42S16400D-7TL	1	22241910R3	
Q3661 or	IC	M12L64164A-7TG	(1)	22242441R3	
Q3661 or	IC	K4S641632K-UC60	(1)	22242462R2	
Q7202	IC	BD7820	1	22242300R2	
Q7222	IC	BD7820	1	22242300R2	
Q7223	IC	BD7820	1	22242300R2	
D7205	C-DIODE	ISS352	1	223234R2	
D7205 or	C-DIODE	ISS355	(1)	223269R2	
D7225	C-DIODE	ISS352	1	223234R2	
D7225 or	C-DIODE	ISS355	(1)	223269R2	
D7226	C-DIODE	ISS352	1	223234R2	
D7226 or	C-DIODE	ISS355	(1)	223269R2	
L3301	CHOKE COIL	LBC2518T470M	1	231364M470R2	
L3311	EMIFIL	BK1608HS102-T	1	230955R2	
L3312	EMIFIL	BK1608LM182-T	1	230958R1	
L3371	EMIFIL	BK1608LM182-T	1	230958R1	
L3372	EMIFIL	BK1608HS102-T	1	230955R2	
L3401	EMIFIL	ACF451832-333-T	1	230978R2	
L3402	CHOKE COIL	BLM21PG221SN1	1	230949R2	
L3403	CHOKE COIL	LBC2518T4R7M	1	231364M047R2	
L3451	CHOKE COIL	BLM21PG221SN1	1	230949R2	
L3481	EMIFIL	BK1608LM182-T	1	230958R1	
L3482	EMIFIL	BK1608LM182-T	1	230958R1	
L3483	CHOKE COIL	LBC2518T470M	1	231364M470R2	
L3491	CHOKE COIL	LBC2518T470M	1	231364M470R2	
L3501	EMIFIL	ACF451832-333-T	1	230978R2	
L3541	CHOKE COIL	LBC2518T4R7M	1	231364M047R2	

L3542	CHOKE COIL	BLM21PG221SN1	1	230949R2
L3551	CHOKE COIL	BLM21PG221SN1	1	230949R2
L3571	CHOKE COIL	LBC2518T470M	1	231364M470R2
L3572	EMIFIL	BK1608LM182-T	1	230958R1
L3601	EMIFIL	ACF451832-333-T	1	230978R2
L3602	EMIFIL	BK1608LL241-T	1	230959R1
L3603	EMIFIL	BK1608HS102-T	1	230955R2
L3641	CHOKE COIL	LBC2518T4R7M	1	231364M047R2
L3642	CHOKE COIL	BLM21PG221SN1	1	230949R2
L3651	CHOKE COIL	BLM21PG221SN1	1	230949R2
X3481	CRYSTAL	HC-49USSMD25.00MHz	1	3010444R2
X3571	CRYSTAL	HC-49USSMD17.734MHz	1	3010442R2
C3301	C-CERA C	CK725F1E-104Z1	1	332161040R1
C3302	CHIP ELECT C	CEWX4V-100M	1	3981G1017R2
C3311	C-CERA C	CK725F1E-104Z1	1	332161040R1
C3315	C-CERA C	CK725F1E-104Z1	1	332161040R1
C3325	C-CERA C	CK725F1E-104Z1	1	332161040R1
C3331	C-CERA C	CK725F1E-104Z1	1	332161040R1
C3351	C-CERA C	CK725F1E-104Z1	1	332161040R1
C3371	C-CERA C	CK725F1E-104Z1	1	332161040R1
C3391	C-CERA C	CK725F1E-104Z1	1	332161040R1
C3401	C-CERA C	CC725CH1H-101J1	1	342101014R1
C3402	CHIP ELECT C	CEWX4V-100M	1	3981G1017R2
C3403	C-CERA C	CK725F1E-104Z1	1	332161040R1
C3405	CHIP ELECT C	CEWX4V-220M	1	3981G2217R2
C3411	C-CERA C	CK725F1E-104Z1	1	332161040R1
C3412	C-CERA C	CK725F1E-104Z1	1	332161040R1
C3413	C-CERA C	CK725F1E-104Z1	1	332161040R1
C3414	C-CERA C	CK725F1E-104Z1	1	332161040R1
C3415	C-CERA C	CK725F1E-104Z1	1	332161040R1
C3416	C-CERA C	CK725F1E-104Z1	1	332161040R1
C3417	C-CERA C	CK725F1E-104Z1	1	332161040R1
C3418	C-CERA C	CK725F1E-104Z1	1	332161040R1
C3419	C-CERA C	CK725F1E-104Z1	1	332161040R1
C3420	C-CERA C	CK725F1E-104Z1	1	332161040R1
C3421	C-CERA C	CK725F1E-104Z1	1	332161040R1
C3425	C-CERA C	CK725F1E-104Z1	1	332161040R1
C3426	C-CERA C	CK725F1E-104Z1	1	332161040R1
C3427	C-CERA C	CK725F1E-104Z1	1	332161040R1
C3428	C-CERA C	CK725F1E-104Z1	1	332161040R1
C3429	C-CERA C	CK725F1E-104Z1	1	332161040R1
C3430	C-CERA C	CK725F1E-104Z1	1	332161040R1
C3431	C-CERA C	CK725F1E-104Z1	1	332161040R1
C3432	C-CERA C	CK725F1E-104Z1	1	332161040R1
C3433	C-CERA C	CK725F1E-104Z1	1	332161040R1
C3434	C-CERA C	CK725F1E-104Z1	1	332161040R1
C3435	C-CERA C	CK725F1E-104Z1	1	332161040R1
C3451	C-CERA C	CC725CH1H-101J1	1	342101014R1
C3452	C-CERA C	CK725F1E-104Z1	1	332161040R1
C3453	CHIP ELECT C	CEWX4V-220M	1	3981G2217R2

C3461	C-CERA C	CK725F1E-104Z1	1	332161040R1
C3462	C-CERA C	CK725F1E-104Z1	1	332161040R1
C3463	C-CERA C	CK725F1E-104Z1	1	332161040R1
C3464	C-CERA C	CK725F1E-104Z1	1	332161040R1
C3465	C-CERA C	CK725F1E-104Z1	1	332161040R1
C3466	C-CERA C	CK725F1E-104Z1	1	332161040R1
C3467	CHIP ELECT C	CEWX4V-220M	1	3981G2217R2
C3471	C-CERA C	CK725F1E-104Z1	1	332161040R1
C3472	C-CERA C	CK725F1E-104Z1	1	332161040R1
C3473	C-CERA C	CK725F1E-104Z1	1	332161040R1
C3474	C-CERA C	CK725F1E-104Z1	1	332161040R1
C3475	C-CERA C	CK725F1E-104Z1	1	332161040R1
C3476	C-CERA C	CK725F1E-104Z1	1	332161040R1
C3477	CHIP ELECT C	CEWX4V-220M	1	3981G2217R2
C3481	C-CERA C	CC725CH1H-090D1	1	342100902R1
C3482	C-CERA C	CC725CH1H-090D1	1	342100902R1
C3483	C-CERA C	CK725F1E-104Z1	1	332161040R1
C3484	CHIP ELECT C	CEWX4V-100M	1	3981G1017R2
C3491	C-CERA C	CK725F1E-104Z1	1	332161040R1
C3501	C-CERA C	CK725F1E-104Z1	1	332161040R1
C3502	C-CERA C	CK725F1E-104Z1	1	332161040R1
C3503	C-CERA C	CC725CH1H-101J1	1	342101014R1
C3504	C-CERA C	CK725F1E-104Z1	1	332161040R1
C3505	C-CERA C	CK725F1E-104Z1	1	332161040R1
C3506	C-CERA C	CK725F1E-104Z1	1	332161040R1
C3507	CHIP ELECT C	CEWX4V-220M	1	3981G2217R2
C3508	C-CERA C	CK725F1E-104Z1	1	332161040R1
C3509	C-CERA C	CK725F1E-104Z1	1	332161040R1
C3510	C-CERA C	CK725F1E-104Z1	1	332161040R1
C3511	C-CERA C	CK725F1E-104Z1	1	332161040R1
C3512	C-CERA C	CK725F1E-104Z1	1	332161040R1
C3513	C-CERA C	CK725F1E-104Z1	1	332161040R1
C3514	C-CERA C	CK725F1E-104Z1	1	332161040R1
C3515	C-CERA C	CK725F1E-104Z1	1	332161040R1
C3516	C-CERA C	CK725F1E-104Z1	1	332161040R1
C3517	C-CERA C	CK725F1E-104Z1	1	332161040R1
C3518	C-CERA C	CK725F1E-104Z1	1	332161040R1
C3519	C-CERA C	CK725F1E-104Z1	1	332161040R1
C3520	C-CERA C	CK725F1E-104Z1	1	332161040R1
C3521	C-CERA C	CK725F1E-104Z1	1	332161040R1
C3522	C-CERA C	CK725F1E-104Z1	1	332161040R1
C3523	C-CERA C	CK725F1E-104Z1	1	332161040R1
C3524	C-CERA C	CK725F1E-104Z1	1	332161040R1
C3525	C-CERA C	CK725F1E-104Z1	1	332161040R1
C3526	C-CERA C	CK725F1E-104Z1	1	332161040R1
C3527	C-CERA C	CK725F1E-104Z1	1	332161040R1
C3528	C-CERA C	CK725F1E-104Z1	1	332161040R1
C3529	C-CERA C	CK725F1E-104Z1	1	332161040R1
C3541	CHIP ELECT C	CEWX4V-220M	1	3981G2217R2
C3542	CHIP ELECT C	CEWX4V-220M	1	3981G2217R2

C3551	C-CERA C	CK725F1E-104Z1	1	332161040R1
C3552	C-CERA C	CC725CH1H-101J1	1	342101014R1
C3553	CHIP ELECT C	CEWX4V-220M	1	3981G2217R2
C3561	C-CERA C	CK725F1E-104Z1	1	332161040R1
C3562	C-CERA C	CK725F1E-104Z1	1	332161040R1
C3563	C-CERA C	CK725F1E-104Z1	1	332161040R1
C3564	C-CERA C	CK725F1E-104Z1	1	332161040R1
C3565	C-CERA C	CK725F1E-104Z1	1	332161040R1
C3566	C-CERA C	CK725F1E-104Z1	1	332161040R1
C3567	CHIP ELECT C	CEWX4V-220M	1	3981G2217R2
C3571	C-CERA C	CC725CH1H-120J1	1	342101204R1
C3572	C-CERA C	CC725CH1H-120J1	1	342101204R1
C3573	C-CERA C	CK725F1E-104Z1	1	332161040R1
C3574	CHIP ELECT C	CEWX4V-100M	1	3981G1017R2
C3601	C-CERA C	CK725F1E-104Z1	1	332161040R1
C3602	C-CERA C	CK725F1E-104Z1	1	332161040R1
C3603	C-CERA C	CC725CH1H-101J1	1	342101014R1
C3604	C-CERA C	CK725F1E-104Z1	1	332161040R1
C3605	C-CERA C	CK725F1E-104Z1	1	332161040R1
C3606	C-CERA C	CK725F1E-104Z1	1	332161040R1
C3607	CHIP ELECT C	CEWX4V-220M	1	3981G2217R2
C3608	C-CERA C	CK725F1E-104Z1	1	332161040R1
C3609	C-CERA C	CK725F1E-104Z1	1	332161040R1
C3610	C-CERA C	CK725F1E-104Z1	1	332161040R1
C3611	C-CERA C	CK725F1E-104Z1	1	332161040R1
C3612	C-CERA C	CK725F1E-104Z1	1	332161040R1
C3613	C-CERA C	CK725F1E-104Z1	1	332161040R1
C3614	C-CERA C	CK725F1E-104Z1	1	332161040R1
C3615	C-CERA C	CK725F1E-104Z1	1	332161040R1
C3616	C-CERA C	CK725F1E-104Z1	1	332161040R1
C3617	C-CERA C	CK725F1E-104Z1	1	332161040R1
C3618	C-CERA C	CK725F1E-104Z1	1	332161040R1
C3619	C-CERA C	CK725F1E-104Z1	1	332161040R1
C3620	C-CERA C	CK725F1E-104Z1	1	332161040R1
C3621	C-CERA C	CK725F1E-104Z1	1	332161040R1
C3622	C-CERA C	CK725F1E-104Z1	1	332161040R1
C3623	C-CERA C	CK725F1E-104Z1	1	332161040R1
C3624	C-CERA C	CK725F1E-104Z1	1	332161040R1
C3625	C-CERA C	CK725F1E-104Z1	1	332161040R1
C3626	C-CERA C	CK725F1E-104Z1	1	332161040R1
C3627	C-CERA C	CK725F1E-104Z1	1	332161040R1
C3628	C-CERA C	CK725F1E-104Z1	1	332161040R1
C3629	C-CERA C	CK725F1E-104Z1	1	332161040R1
C3641	CHIP ELECT C	CEWX4V-220M	1	3981G2217R2
C3642	CHIP ELECT C	CEWX4V-220M	1	3981G2217R2
C3651	C-CERA C	CK725F1E-104Z1	1	332161040R1
C3652	C-CERA C	CC725CH1H-101J1	1	342101014R1
C3653	CHIP ELECT C	CEWX4V-220M	1	3981G2217R2
C3661	C-CERA C	CK725F1E-104Z1	1	332161040R1
C3662	C-CERA C	CK725F1E-104Z1	1	332161040R1

C3663	C-CERA C	CK725F1E-104Z1	1	332161040R1
C3664	C-CERA C	CK725F1E-104Z1	1	332161040R1
C3665	C-CERA C	CK725F1E-104Z1	1	332161040R1
C3666	C-CERA C	CK725F1E-104Z1	1	332161040R1
C3667	C-CERA C	CK725F1E-104Z1	1	332161040R1
C3668	CHIP ELECT C	CEWX4V-220M	1	3981G2217R2
C7204	CHIP ELECT C	CEWX4V-100M	1	3981G1017R2
C7205	C-CERA C	CK725F1E-104Z1	1	332161040R1
C7206	CHIP ELECT C	CEWX4V-220M	1	3981G2217R2
C7224	CHIP ELECT C	CEWX4V-100M	1	3981G1017R2
C7225	C-CERA C	CK725F1E-104Z1	1	332161040R1
C7226	CHIP ELECT C	CEWX4V-100M	1	3981G1017R2
C7227	CHIP ELECT C	CEWX4V-100M	1	3981G1017R2
C7228	C-CERA C	CK725F1E-104Z1	1	332161040R1
C7229	CHIP ELECT C	CEWX4V-100M	1	3981G1017R2
R3301	C-CARBON R	RN72K1J-331JE	1	435033314R1
R3302	C-CARBON R	RN72K1J-331JE	1	435033314R1
R3303	C-CARBON R	RN72K1J-470JE	1	435034704R1
R3304	C-CARBON R	RN72K1J-470JE	1	435034704R1
R3305	C-CARBON R	RN72K1J-331JE	1	435033314R1
R3306	C-CARBON R	RN72K1J-470JE	1	435034704R1
R3307	C-CARBON R	RN72K1J-331JE	1	435033314R1
R3311	C-CARBON R	RN72K1J-331JE	1	435033314R1
R3312	C-CARBON R	RN72K1J-331JE	1	435033314R1
R3313	C-CARBON R	RN72K1J-331JE	1	435033314R1
R3314	C-CARBON R	RN72K1J-470JE	1	435034704R1
R3315	C-CARBON R	RN72K1J-331JE	1	435033314R1
R3316	C-CARBON R	RN72K1J-331JE	1	435033314R1
R3317	C-CARBON R	RN72K1J-470JE	1	435034704R1
R3318	C-CARBON R	RN72K1J-470JE	1	435034704R1
R3319	C-CARBON R	RN72K1J-331JE	1	435033314R1
R3320	C-CARBON R	RN72K1J-331JE	1	435033314R1
R3321	C-CARBON R	RN72K1J-470JE	1	435034704R1
R3322	C-CARBON R	RN72K1J-331JE	1	435033314R1
R3323	C-CARBON R	RN72K1J-331JE	1	435033314R1
R3325	C-CARBON R	RN72K1J-331JE	1	435033314R1
R3326	C-CARBON R	RN72K1J-470JE	1	435034704R1
R3327	C-CARBON R	RN72K1J-331JE	1	435033314R1
R3328	C-CARBON R	RN72K1J-331JE	1	435033314R1
R3330	C-CARBON R	RN72K1J-331JE	1	435033314R1
R3331	C-CARBON R	RN72K1J-331JE	1	435033314R1
R3332	C-CARBON R	RN72K1J-331JE	1	435033314R1
R3333	C-CARBON R	RN72K1J-470JE	1	435034704R1
R3334	C-CARBON R	RN72K1J-331JE	1	435033314R1
R3335	C-CARBON R	RN72K1J-331JE	1	435033314R1
R3336	C-CARBON R	RN72K1J-470JE	1	435034704R1
R3337	C-CARBON R	RN72K1J-470JE	1	435034704R1
R3338	C-CARBON R	RN72K1J-331JE	1	435033314R1
R3339	C-CARBON R	RN72K1J-331JE	1	435033314R1
R3340	C-CARBON R	RN72K1J-470JE	1	435034704R1

R3341	C-CARBON R	RN72K1J-331JE	1	435033314R1
R3342	C-CARBON R	RN72K1J-331JE	1	435033314R1
R3345	C-CARBON R	RN72K1J-101JE	1	435031014R1
R3351	C-CARBON R	RN72K1J-331JE	1	435033314R1
R3352	C-CARBON R	RN72K1J-331JE	1	435033314R1
R3353	C-CARBON R	RN72K1J-470JE	1	435034704R1
R3354	C-CARBON R	RN72K1J-331JE	1	435033314R1
R3355	C-CARBON R	RN72K1J-331JE	1	435033314R1
R3356	C-CARBON R	RN72K1J-470JE	1	435034704R1
R3357	C-CARBON R	RN72K1J-470JE	1	435034704R1
R3358	C-CARBON R	RN72K1J-331JE	1	435033314R1
R3359	C-CARBON R	RN72K1J-331JE	1	435033314R1
R3360	C-CARBON R	RN72K1J-470JE	1	435034704R1
R3361	C-CARBON R	RN72K1J-331JE	1	435033314R1
R3362	C-CARBON R	RN72K1J-331JE	1	435033314R1
R3371	C-CARBON R	RN72K1J-331JE	1	435033314R1
R3373	C-CARBON R	RN72K1J-470JE	1	435034704R1
R3374	C-CARBON R	RN72K1J-331JE	1	435033314R1
R3376	C-CARBON R	RN72K1J-470JE	1	435034704R1
R3377	C-CARBON R	RN72K1J-470JE	1	435034704R1
R3379	C-CARBON R	RN72K1J-331JE	1	435033314R1
R3380	C-CARBON R	RN72K1J-470JE	1	435034704R1
R3381	C-CARBON R	RN72K1J-331JE	1	435033314R1
R3382	C-CARBON R	RN72K1J-331JE	1	435033314R1
R3391	C-CARBON R	RN72K1J-470JE	1	435034704R1
R3401	C-CARBON R	RN72K1J-470JE	1	435034704R1
R3402	C-CARBON R	RN72K1J-102JE	1	435031024R1
R3403	C-CARBON R	RN72K1J-102JE	1	435031024R1
R3404	C-CARBON R	RN72K1J-222JE	1	435032224R1
R3405	C-CARBON R	RN72K1J-470JE	1	435034704R1
R3406	C-CARBON R	RN72K1J-102JE	1	435031024R1
R3407	C-CARBON R	RN72K1J-470JE	1	435034704R1
R3408	C-CARBON R	RN72K1J-470JE	1	435034704R1
R3409	C-CARBON R	RN72K1J-470JE	1	435034704R1
R3410	C-CARBON R	RN72K1J-470JE	1	435034704R1
R3411	C-CARBON R	RN72K1J-103JE	1	435031034R1
R3412	C-CARBON R	RN72K1J-331JE	1	435033314R1
R3413	C-CARBON R	RN72K1J-331JE	1	435033314R1
R3414	C-CARBON R	RN72K1J-103JE	1	435031034R1
R3415	C-CARBON R	RN72K1J-103JE	1	435031034R1
R3416	C-CARBON R	RN72K1J-103JE	1	435031034R1
R3417	C-CARBON R	RN72K1J-331JE	1	435033314R1
R3418	C-CARBON R	RN72K1J-331JE	1	435033314R1
R3419	C-CARBON R	RN72K1J-331JE	1	435033314R1
R3420	C-CARBON R	RN72K1J-331JE	1	435033314R1
R3421	C-CARBON R	RN72K1J-331JE	1	435033314R1
R3422	C-CARBON R	RN72K1J-331JE	1	435033314R1
R3423	C-CARBON R	RN72K1J-103JE	1	435031034R1
R3424	C-CARBON R	RN72K1J-331JE	1	435033314R1
R3425	C-CARBON R	RN72K1J-331JE	1	435033314R1

R3426	C-CARBON R	RN72K1J-331JE	1	435033314R1
R3427	C-CARBON R	RN72K1J-470JE	1	435034704R1
R3428	C-CARBON R	RN72K1J-470JE	1	435034704R1
R3429	C-CARBON R	RN72K1J-331JE	1	435033314R1
R3430	C-CARBON R	RN72K1J-103JE	1	435031034R1
R3431	C-CARBON R	RN72K1J-103JE	1	435031034R1
R3451	C-CARBON R	RN72K1J-103JE	1	435031034R1
R3452	C-CARBON R	RN72K1J-103JE	1	435031034R1
R3453	C-CARBON R	RN72K1J-103JE	1	435031034R1
R3454	C-CARBON R	RN72K1J-102JE	1	435031024R1
R3455	C-CARBON R	RN72K1J-103JE	1	435031034R1
R3456	C-CARBON R	RN72K1J-103JE	1	435031034R1
R3457	C-CARBON R	RN72K1J-103JE	1	435031034R1
R3482	C-CARBON R	RN72K1J-221JE	1	435032214R1
R3483	C-CARBON R	RN72K1J-105JE	1	435031054R1
R3491	C-CARBON R	RN72K1J-472JE	1	435034724R1
R3492	C-CARBON R	RN72K1J-472JE	1	435034724R1
R3493	C-CARBON R	RN72K1J-472JE	1	435034724R1
R3494	C-CARBON R	RN72K1J-472JE	1	435034724R1
R3495	C-CARBON R	RN72K1J-472JE	1	435034724R1
R3496	C-CARBON R	RN72K1J-103JE	1	435031034R1
R3501	C-CARBON R	RN72K1J-331JE	1	435033314R1
R3502	C-CARBON R	RN72K1J-102JE	1	435031024R1
R3503	C-CARBON R	RN72K1J-331JE	1	435033314R1
R3504	C-CARBON R	RN72K1J-470JE	1	435034704R1
R3505	C-CARBON R	RN72K1J-470JE	1	435034704R1
R3506	C-CARBON R	RN72K1J-222JE	1	435032224R1
R3507	C-CARBON R	RN72K1J-102JE	1	435031024R1
R3508	C-CARBON R	RN72K1J-102JE	1	435031024R1
R3509	C-CARBON R	RN72K1J-470JE	1	435034704R1
R3510	C-CARBON R	RN72K1J-470JE	1	435034704R1
R3511	C-CARBON R	RN72K1J-470JE	1	435034704R1
R3512	C-CARBON R	RN72K1J-470JE	1	435034704R1
R3513	C-CARBON R	RN72K1J-470JE	1	435034704R1
R3514	C-CARBON R	RN72K1J-103JE	1	435031034R1
R3515	C-CARBON R	RN72K1J-103JE	1	435031034R1
R3516	C-CARBON R	RN72K1J-103JE	1	435031034R1
R3517	C-CARBON R	RN72K1J-103JE	1	435031034R1
R3518	C-CARBON R	RN72K1J-103JE	1	435031034R1
R3519	C-CARBON R	RN72K1J-103JE	1	435031034R1
R3520	C-CARBON R	RN72K1J-103JE	1	435031034R1
R3521	C-CARBON R	RN72K1J-331JE	1	435033314R1
R3522	C-CARBON R	RN72K1J-331JE	1	435033314R1
R3523	C-CARBON R	RN72K1J-331JE	1	435033314R1
R3524	C-CARBON R	RN72K1J-331JE	1	435033314R1
R3525	C-CARBON R	RN72K1J-103JE	1	435031034R1
R3526	C-CARBON R	RN72K1J-331JE	1	435033314R1
R3527	C-CARBON R	RN72K1J-331JE	1	435033314R1
R3528	C-CARBON R	RN72K1J-470JE	1	435034704R1
R3529	C-CARBON R	RN72K1J-103JE	1	435031034R1

R3530	C-CARBON R	RN72K1J-470JE	1	435034704R1
R3551	C-CARBON R	RN72K1J-103JE	1	435031034R1
R3552	C-CARBON R	RN72K1J-103JE	1	435031034R1
R3553	C-CARBON R	RN72K1J-103JE	1	435031034R1
R3554	C-CARBON R	RN72K1J-102JE	1	435031024R1
R3557	C-CARBON R	RN72K1J-103JE	1	435031034R1
R3558	C-CARBON R	RN72K1J-103JE	1	435031034R1
R3571	C-CARBON R	RN72K1J-105JE	1	435031054R1
R3572	C-CARBON R	RN72K1J-221JE	1	435032214R1
R3601	C-CARBON R	RN72K1J-331JE	1	435033314R1
R3602	C-CARBON R	RN72K1J-102JE	1	435031024R1
R3603	C-CARBON R	RN72K1J-331JE	1	435033314R1
R3604	C-CARBON R	RN72K1J-470JE	1	435034704R1
R3605	C-CARBON R	RN72K1J-470JE	1	435034704R1
R3606	C-CARBON R	RN72K1J-222JE	1	435032224R1
R3607	C-CARBON R	RN72K1J-102JE	1	435031024R1
R3608	C-CARBON R	RN72K1J-102JE	1	435031024R1
R3609	C-CARBON R	RN72K1J-470JE	1	435034704R1
R3610	C-CARBON R	RN72K1J-470JE	1	435034704R1
R3611	C-CARBON R	RN72K1J-470JE	1	435034704R1
R3612	C-CARBON R	RN72K1J-470JE	1	435034704R1
R3613	C-CARBON R	RN72K1J-470JE	1	435034704R1
R3614	C-CARBON R	RN72K1J-470JE	1	435034704R1
R3615	C-CARBON R	RN72K1J-103JE	1	435031034R1
R3616	C-CARBON R	RN72K1J-103JE	1	435031034R1
R3617	C-CARBON R	RN72K1J-331JE	1	435033314R1
R3618	C-CARBON R	RN72K1J-103JE	1	435031034R1
R3619	C-CARBON R	RN72K1J-103JE	1	435031034R1
R3620	C-CARBON R	RN72K1J-103JE	1	435031034R1
R3621	C-CARBON R	RN72K1J-331JE	1	435033314R1
R3622	C-CARBON R	RN72K1J-331JE	1	435033314R1
R3623	C-CARBON R	RN72K1J-331JE	1	435033314R1
R3624	C-CARBON R	RN72K1J-331JE	1	435033314R1
R3625	C-CARBON R	RN72K1J-103JE	1	435031034R1
R3626	C-CARBON R	RN72K1J-331JE	1	435033314R1
R3627	C-CARBON R	RN72K1J-331JE	1	435033314R1
R3628	C-CARBON R	RN72K1J-470JE	1	435034704R1
R3629	C-CARBON R	RN72K1J-103JE	1	435031034R1
R3630	C-CARBON R	RN72K1J-470JE	1	435034704R1
R3651	C-CARBON R	RN72K1J-103JE	1	435031034R1
R3652	C-CARBON R	RN72K1J-103JE	1	435031034R1
R3653	C-CARBON R	RN72K1J-103JE	1	435031034R1
R3656	C-CARBON R	RN72K1J-102JE	1	435031024R1
R3657	C-CARBON R	RN72K1J-103JE	1	435031034R1
R3658	C-CARBON R	RN72K1J-103JE	1	435031034R1
R3659	C-CARBON R	RN72K1J-103JE	1	435031034R1
R7206	C-CARBON R	RN72K1J-273JE	1	435032734R1
R7207	C-CARBON R	RN72K1J-273JE	1	435032734R1
R7208	C-CARBON R	RN72K1J-393JE	1	435033934R1
R7226	C-CARBON R	RN72K1J-273JE	1	435032734R1

R7227	C-CARBON R	RN72K1J-273JE	1	435032734R1	
R7228	C-CARBON R	RN72K1J-393JE	1	435033934R1	
R7229	C-CARBON R	RN72K1J-273JE	1	435032734R1	
R7230	C-CARBON R	RN72K1J-273JE	1	435032734R1	
R7239	C-CARBON R	RN72K1J-393JE	1	435033934R1	
P3801B	SOCKET	IMSA-9856S-30B-T	1	25053236R2	
P3802B	SOCKET	IMSA-9856S-30B-T	1	25053236R2	
P3805A	PLUG	NPLG-10P662	1	25055706	

U09	DAC PC BOARD (NADG-9074-1K/1L
U10	MICROPROCESSOR PC BOARD (NAAR-9075-1K/1L
U12	XM PC BOARD (NARF-9077-1K)
U13	HOLDER PC BOARD (NAETC-9078-1K/1L
U14	E-CONTROL PC BOARD (NALAN-9079-1K/1L
U15	AMPLIFIER PC BOARD (NAASP-9080-1K/1L
U16	AMPLIFIER PC BOARD (NAETC-9073-1K/1L)

REF. NO.	PART NAME	DESCRIPTION	Q'TY	PART NO. (SN)	REMARKS
U3001	PHT CP	GP1FAV51RK0F	1	24120129	
U3002	PHT CP	GP1FAV51RK0F	1	24120129	
U3004	PHT CP	GP1FAV51TKBF	1	24120132	
Q1001	IC	PIC18F66J60	1	222W0072R3	
Q1002	IC	IS25C02-2GLI	1	222W0075R2	
Q1002 or	IC	BR25L020FJ-W	(1)	222W0076R2	
Q1003	IC	BA33BC0FP	1	22278033DR2RH	
Q101	IC	CS4344-CZZR	1	22242406R2	<DD>
Q102	IC	TA48033AF(TE16L_NQ)	1	22278033DR2TO	<DD>
Q102 or	IC	BA33BC0FP	(1)	22278033DR2RH	<DD>
Q103	IC	F2628E-01	1	22242436R2	<DD>
Q103 or	IC	BU9450KV-E2	(1)	22242505R2	<DD>
Q104	IC	TA48033AF(TE16L_NQ)	1	22278033DR2TO	<DD>
Q104 or	IC	BA33BC0FP	(1)	22278033DR2RH	<DD>
Q105	IC	NE5532APSR	1	22242283R2	<DD>
Q106	IC	NE5532APSR	1	22242283R2	<DD>
Q107	IC	TC74VHCT08AFT EKV	1	22274008G1R2TO	<DD>
Q107 or	IC	TC74VHCT08AFT	(1)	22274008GR2TO	<DD>
Q3001	IC	TC74VHC157FT	1	22274157ER2TO	
Q3021	IC	74HCU04F	1	222740046R2	
Q3031	IC	ICL3221ECVZ	1	22242268R2	
Q3041	IC	CS42516-CQZ(R)-D	1	22242294R2	
Q3071	IC	TC7WU04FU(TE12L_F)	1	22240935R2	
Q3081	IC	NE5532APSR	1	22242283R2	
Q3082	IC	NE5532APSR	1	22242283R2	
Q3701	IC	PCM1796DBR	1	22242403R2	
Q3721	IC	PCM1796DBR	1	22242403R2	
Q3741	IC	PCM1796DBR	1	22242403R2	
Q3761	IC	PCM1796DBR	1	22242403R2	
Q3781	IC	PCM1796DBR	1	22242403R2	
Q3800	IC	NE5532APSR	1	22242283R2	
Q3801	IC	NE5532APSR	1	22242283R2	

Q3802	IC	NE5532APSR	1	22242283R2
Q3803	IC	NE5532APSR	1	22242283R2
Q3804	IC	NE5532APSR	1	22242283R2
Q3805	IC	NE5532APSR	1	22242283R2
Q3806	IC	NE5532APSR	1	22242283R2
Q3807	IC	NE5532APSR	1	22242283R2
Q3808	IC	NE5532APSR	1	22242283R2
Q3809	IC	NE5532APSR	1	22242283R2
Q3810	IC	NE5532APSR	1	22242283R2
Q3811	IC	NE5532APSR	1	22242283R2
Q3812	IC	NE5532APSR	1	22242283R2
Q3813	IC	NE5532APSR	1	22242283R2
Q3814	IC	NE5532APSR	1	22242283R2
Q3820	IC	NE5532APSR	1	22242283R2
Q3821	IC	NE5532APSR	1	22242283R2
Q3822	IC	NE5532APSR	1	22242283R2
Q3823	IC	NE5532APSR	1	22242283R2
Q3824	IC	NE5532APSR	1	22242283R2
Q3830	IC	NE5532APSR	1	22242283R2
Q3831	IC	NE5532APSR	1	22242283R2
Q3832	IC	NE5532APSR	1	22242283R2
Q3833	IC	NE5532APSR	1	22242283R2
Q3834	IC	NE5532APSR	1	22242283R2
Q3840	IC	NE5532APSR	1	22242283R2
Q3841	IC	NE5532APSR	1	22242283R2
Q3842	IC	NE5532APSR	1	22242283R2
Q3843	IC	NE5532APSR	1	22242283R2
Q3844	IC	NE5532APSR	1	22242283R2
Q4201	IC	NE5532APSR	1	22242283R2
Q4202	IC	NE5532APSR	1	22242283R2
Q4203	IC	NE5532APSR	1	22242283R2
Q4204	IC	R2S15211FP	1	22242297R3
Q4291	TR	2SC2235-Y(TPE6_F)	1	2211654T
Q4292	TR	2SA965-Y(TPE6_F)	1	2211644T
Q4720	IC	NE5532APSR	1	22242283R2
Q4721	IC	NE5532APSR	1	22242283R2
Q4722	IC	NE5532APSR	1	22242283R2
Q4723	IC	NE5532APSR	1	22242283R2
Q7001	IC	M3087BFKBGP	1	222W0059R3
Q7002	TR	RN1404	1	2214490R2
Q7002 or	TR	KRC104S	(1)	2216210R2
Q7003	TR	DTA114YKA	1	2216480R2
Q7003 or	TR	RN2407(TE85L_F)	(1)	2216360R2
Q7003 or	TR	KRA107S	(1)	2216350R2
Q7005	TR	DTC114EKA	1	2216250R2
Q7005 or	TR	RN1402	(1)	2214470R2
Q7005 or	TR	KRC102S	(1)	2216190R2
Q7006	TR	DTA114YKA	1	2216480R2
Q7006 or	TR	RN2407(TE85L_F)	(1)	2216360R2
Q7006 or	TR	KRA107S	(1)	2216350R2

Q7007	TR	DTC114EKA	1	2216250R2	
Q7007 or	TR	RN1402	(1)	2214470R2	
Q7007 or	TR	KRC102S	(1)	2216190R2	
Q7151	IC	TC74VHCT08AFT E(KJ)	1	22274008G1R2TO	
Q7151 or	IC	TC74VHCT08AFT	(1)	22274008GR2TO	
Q7155	IC	TC74VHCT08AFT E(KJ)	1	22274008G1R2TO	
Q7155 or	IC	TC74VHCT08AFT	(1)	22274008GR2TO	
Q7161	IC	TC74VHCT08AFT E(KJ)	1	22274008G1R2TO	
Q7161 or	IC	TC74VHCT08AFT	(1)	22274008GR2TO	
Q7165	IC	TC74VHCT08AFT E(KJ)	1	22274008G1R2TO	<DD>
Q7165 or	IC	TC74VHCT08AFT	(1)	22274008GR2TO	<DD>
Q7171	IC	TC74VHC238FT	1	22274238ER2TO	
Q7172	IC	74AHC138PW	1	22274138IR2PH	
Q7172 or	IC	TC74VHC138FT(EK2M	(1)	22274138ER2TO	
Q7181	IC	NJU7312AM	1	22242210R2	
Q7182	TR	2SC2712-GR	1	2213145R2	
Q7183	TR	RN1404	1	2214490R2	
Q7183 or	TR	KRC104S	(1)	2216210R2	
Q7184	TR	RN2402	1	2214530R2	
Q7184 or	TR	KRA102S	(1)	2216220R2	
Q7201	IC	SI8008TM	1	22242323R2	
Q7221	IC	SI8008TM	1	22242323R2	
Q7231	IC	SI8008TM	1	22242323R2	
Q7232	IC	BD7820	1	22242300R2	<DD>
Q7241	IC	TA4805AF(TE16L_NQ)	1	22278005DR2TO	
Q7241 or	IC	BA50BC0FP	(1)	22278005DR2RH	
Q7242	IC	TA48033AF(TE16L_NQ)	1	22278033DR2TO	
Q7242 or	IC	BA33BC0FP	(1)	22278033DR2RH	
Q7246	IC	TA48033AF(TE16L_NQ)	1	22278033DR2TO	
Q7246 or	IC	BA33BC0FP	(1)	22278033DR2RH	
Q7251	IC	TA4805AF(TE16L_NQ)	1	22278005DR2TO	
Q7261	IC	XC6202P502FR	1	22242331R2	
Q7262	IC	XC6213B332MR	1	22242277R2	
Q7341	TR	RN1404	1	2214490R2	<DD>
Q7341 or	TR	KRC104S	(1)	2216210R2	<DD>
Q7342	TR	RN2402	1	2214530R2	<DD>
Q7342 or	TR	KRA102S	(1)	2216220R2	<DD>
Q7351	TR	RN1404	1	2214490R2	
Q7351 or	TR	KRC104S	(1)	2216210R2	
Q7352	TR	RN2402	1	2214530R2	
Q7352 or	TR	KRA102S	(1)	2216220R2	
Q7355	TR	RN1404	1	2214490R2	
Q7355 or	TR	KRC104S	(1)	2216210R2	
Q7356	TR	RN2402	1	2214530R2	
Q7356 or	TR	KRA102S	(1)	2216220R2	
Q7361	TR	RN1404	1	2214490R2	
Q7361 or	TR	KRC104S	(1)	2216210R2	
Q7362	TR	RN2402	1	2214530R2	
Q7362 or	TR	KRA102S	(1)	2216220R2	
Q7365	TR	RN1404	1	2214490R2	

Q7365 or	TR	KRC104S	(1)	2216210R2	
Q7366	TR	RN2402	1	2214530R2	
Q7366 or	TR	KRA102S	(1)	2216220R2	
Q7368	TR	RN1404	1	2214490R2	
Q7368 or	TR	KRC104S	(1)	2216210R2	
Q7369	TR	RN2402	1	2214530R2	
Q7369 or	TR	KRA102S	(1)	2216220R2	
Q7381	IC	S-812C56AUA-C3K	1	22242207R2	
Q7385	IC	S-812C33AUA-C2N	1	22242222R2	
Q7391	IC	IS25C64A-2GLI	1	22242385R2	
Q7401	TR	DTC114EKA	1	2216250R2	
Q7401 or	TR	RN1402	(1)	2214470R2	
Q7401 or	TR	KRC102S	(1)	2216190R2	
D4291	ZENER D	UDZS7.5B	1	224550750R2	
D4292	ZENER D	UDZS7.5B	1	224550750R2	
D7001	C-DIODE	ISS352	1	223234R2	
D7001 or	C-DIODE	ISS355	(1)	223269R2	
D7002	C-DIODE	ISS352	1	223234R2	
D7002 or	C-DIODE	ISS355	(1)	223269R2	
D7003	C-DIODE	ISS352	1	223234R2	
D7003 or	C-DIODE	ISS355	(1)	223269R2	
D7064	C-DIODE	ISS352	1	223234R2	
D7064 or	C-DIODE	ISS355	(1)	223269R2	
D7181	ZENER D	UDZS9.1B	1	224550910R2	
D7201	C-DIODE	ISS352	1	223234R2	
D7201 or	C-DIODE	ISS355	(1)	223269R2	
D7202	C-DIODE	CRS09(TE85L_Q)	1	223274R2	
D7221	C-DIODE	ISS352	1	223234R2	
D7221 or	C-DIODE	ISS355	(1)	223269R2	
D7222	C-DIODE	CRS09(TE85L_Q)	1	223274R2	
D7231	C-DIODE	ISS352	1	223234R2	
D7231 or	C-DIODE	ISS355	(1)	223269R2	
D7232	C-DIODE	CRS09(TE85L_Q)	1	223274R2	
D7233	C-DIODE	ISS352	1	223234R2	<DD>
D7233 or	C-DIODE	ISS355	(1)	223269R2	<DD>
D7245	DIODE	RL1N4003	1	22380260T	
D7245 or	DIODE	GP104003E	(1)	22380035T	
D7246	DIODE	RL1N4003	1	22380260T	
D7246 or	DIODE	GP104003E	(1)	22380035T	
D7371	C-DIODE	ISS352	1	223234R2	
D7371 or	C-DIODE	ISS355	(1)	223269R2	
D7372	C-DIODE	ISS352	1	223234R2	
D7372 or	C-DIODE	ISS355	(1)	223269R2	
D7381	C-DIODE	ISS352	1	223234R2	
D7381 or	C-DIODE	ISS355	(1)	223269R2	
D7382	C-DIODE	ISS352	1	223234R2	
D7382 or	C-DIODE	ISS355	(1)	223269R2	
D7383	C-DIODE	ISS352	1	223234R2	
D7383 or	C-DIODE	ISS355	(1)	223269R2	
D7384	C-DIODE	ISS352	1	223234R2	

D7384 or	C-DIODE	ISS355	(1)	223269R2	
L1001	CHOKO COIL	BLM21PG221SN1	1	230949R2	
L1002	CHOKO COIL	BLM21PG221SN1	1	230949R2	
L101	EMIFIL	BK1608LM182-T	1	230958R1	<DD>
L102	CHOKO COIL	NCH-1471	1	231237K022R2	<DD>
L103	CHOKO COIL	BLM21PG221SN1	1	230949R2	<DD>
L104	CHOKO COIL	NCH-1471	1	231237K022R2	<DD>
L105	CHOKO COIL	BLM21PG221SN1	1	230949R2	<DD>
L106	CHOKO COIL	BLM21PG221SN1	1	230949R2	<DD>
L3001	CHOKO COIL	LBC2518T470M	1	231364M470R2	
L3002	CHOKO COIL	LBC2518T470M	1	231364M470R2	
L3011	CHOKO COIL	LBC2518T2R2M	1	231364M022R2	
L3012	CHOKO COIL	LBC2518T2R2M	1	231364M022R2	
L3013	CHOKO COIL	LBC2518T2R2M	1	231364M022R2	
L3021	CHOKO COIL	LBC2518T470M	1	231364M470R2	
L3031	CHOKO COIL	LBC2518T470M	1	231364M470R2	
L3041	CHOKO COIL	LBC2518T4R7M	1	231364M047R2	
L3042	CHOKO COIL	LBC2518T4R7M	1	231364M047R2	
L3043	CHOKO COIL	LBC2518T4R7M	1	231364M047R2	
L3044	CHOKO COIL	LBC2518T4R7M	1	231364M047R2	
L3045	EMIFIL	BK1608LM182-T	1	230958R1	
L3046	EMIFIL	BK1608HS102-T	1	230955R2	
L3071	CHOKO COIL	LBC2518T470M	1	231364M470R2	
L3072	EMIFIL	BK1608LM182-T	1	230958R1	
L3701	CHOKO COIL	LBC2518T4R7M	1	231364M047R2	
L3702	CHOKO COIL	LBC2518T4R7M	1	231364M047R2	
L3703	CHOKO COIL	LBC2518T4R7M	1	231364M047R2	
L3704	CHOKO COIL	LBC2518T4R7M	1	231364M047R2	
L3721	CHOKO COIL	LBC2518T4R7M	1	231364M047R2	
L3722	CHOKO COIL	LBC2518T4R7M	1	231364M047R2	
L3723	CHOKO COIL	LBC2518T4R7M	1	231364M047R2	
L3724	CHOKO COIL	LBC2518T4R7M	1	231364M047R2	
L3741	CHOKO COIL	LBC2518T4R7M	1	231364M047R2	
L3742	CHOKO COIL	LBC2518T4R7M	1	231364M047R2	
L3743	CHOKO COIL	LBC2518T4R7M	1	231364M047R2	
L3744	CHOKO COIL	LBC2518T4R7M	1	231364M047R2	
L3761	CHOKO COIL	LBC2518T4R7M	1	231364M047R2	
L3762	CHOKO COIL	LBC2518T4R7M	1	231364M047R2	
L3763	CHOKO COIL	LBC2518T4R7M	1	231364M047R2	
L3764	CHOKO COIL	LBC2518T4R7M	1	231364M047R2	
L3781	CHOKO COIL	LBC2518T4R7M	1	231364M047R2	
L3782	CHOKO COIL	LBC2518T4R7M	1	231364M047R2	
L3783	CHOKO COIL	LBC2518T4R7M	1	231364M047R2	
L3784	CHOKO COIL	LBC2518T4R7M	1	231364M047R2	
L7165	CHOKO COIL	LBC2518T4R7M	1	231364M047R2	
L7201	CHOKO COIL	NCH-2541	1	231363K470	
L7211	CHOKO COIL	NCH-2541	1	231363K470	
L7221	CHOKO COIL	NCH-2541	1	231363K470	
X1001	CRYSTAL	HC-49USSMD25.00MHz	1	3010444R2	
X101	CRYSTAL	DSX840GA 45.1584MHz	1	3010420R2	<DD>

X101 or	CRYSTAL	FCX-02N 45.1584MHz	(1)	3010421R2	<DD>
X3071	CRYSTAL	HC-49US24.576MHz	1	3010423T	
X3071A	IB CUSHION	W15*3t TAPE	1	28141585	
X7001	CERA LOCK	CSTCE8M00G55-R0	1	3010416R2	
C1001	C-CERA C	CK725F1E-104Z1	1	332161040R1	
C1002	C-CERA C	CK725B1H-103K1	1	332101035R1	
C1003	C-CERA C	CK725B1H-103K1	1	332101035R1	
C1005	C-CERA C	CK725F1E-104Z1	1	332161040R1	
C1006	C-CERA C	CK725F1E-104Z1	1	332161040R1	
C1007	C-CERA C	CC725CH1H-150J1	1	342101504R1	
C1008	VR C	CE04W50V-10M(VR)	1	394681007T	
C1009	C-CERA C	CC725CH1H-150J1	1	342101504R1	
C101	VR C	CE04W6.3V-470M(VR)	1	394624717T	<DD>
C1010	C-CERA C	CK725F1E-104Z1	1	332161040R1	
C1011	VR C	CE04W16V-100M(VR)	1	394641017T	
C1012	C-CERA C	CK725F1E-104Z1	1	332161040R1	
C1015	C-CERA C	CK725F1E-104Z1	1	332161040R1	
C1016	CHIP ELECT C	CEWX4V-100M	1	3981G1017R2	
C102	C-CERA C	CK725F1E-104Z1	1	332161040R1	<DD>
C104	UTSP C	CE04W50V-10M(UTSP)	1	397581007T	<DD>
C105	UTSP C	CE04W50V-10M(UTSP)	1	397581007T	<DD>
C106	C-CERA C	CK725F1E-104Z1	1	332161040R1	<DD>
C107	C-CERA C	CK725F1E-104Z1	1	332161040R1	<DD>
C108	C-CERA C	CK725F1E-104Z1	1	332161040R1	<DD>
C109	C-CERA C	CK725F1E-104Z1	1	332161040R1	<DD>
C110	C-CERA C	CK725F1E-104Z1	1	332161040R1	<DD>
C111	C-CERA C	CK725F1E-104Z1	1	332161040R1	<DD>
C112	C-CERA C	CC725CH1H-080D1	1	342100802R1	<DD>
C113	C-CERA C	CK725F1E-104Z1	1	332161040R1	<DD>
C114	C-CERA C	CC725CH1H-040C1	1	342100401R1	<DD>
C115	C-CERA C	CK725B1H-102K1	1	332101025R1	<DD>
C116	C-CERA C	CK725F1E-104Z1	1	332161040R1	<DD>
C117	VR C	CE04W16V-100M(VR)	1	394641017T	<DD>
C118	VR C	CE04W6.3V-470M(VR)	1	394624717T	<DD>
C119	VR C	CE04W16V-100M(VR)	1	394641017T	<DD>
C120	C-CERA C	CK725F1E-104Z1	1	332161040R1	<DD>
C121	C-CERA C	CK725F1E-104Z1	1	332161040R1	<DD>
C122	C-CERA C	CK725F1E-104Z1	1	332161040R1	<DD>
C123	C-CERA C	CK725F1E-104Z1	1	332161040R1	<DD>
C124	VR C	CE04W16V-100M(VR)	1	394641017T	<DD>
C125	C-CERA C	CK725F1E-104Z1	1	332161040R1	<DD>
C126	C-CERA C	CK725F1E-104Z1	1	332161040R1	<DD>
C127	C-CERA C	CK725F1E-104Z1	1	332161040R1	<DD>
C128	UTSP C	CE04W50V-10M(UTSP)	1	397581007T	<DD>
C129	UTSP C	CE04W50V-10M(UTSP)	1	397581007T	<DD>
C130	C-CERA C	CC725CH1H-821J1	1	342108214R1	<DD>
C131	C-CERA C	CC725CH1H-821J1	1	342108214R1	<DD>
C132	C-CERA C	CC725CH1H-821J1	1	342108214R1	<DD>
C133	C-CERA C	CC725CH1H-821J1	1	342108214R1	<DD>
C135	UTSP C	CE04W25V-100M(UTSP)	1	397551017T	<DD>

C136	UTSP C	CE04W25V-100M(UTSP)	1	397551017T	<DD>
C137	UTSP C	CE04W50V-10M(UTSP)	1	397581007T	<DD>
C138	UTSP C	CE04W50V-10M(UTSP)	1	397581007T	<DD>
C139	C-CERA C	CK725F1E-104Z1	1	332161040R1	<DD>
C140	C-CERA C	CK725B1H-102K1	1	332101025R1	<DD>
C3001	C-CERA C	CK725F1E-104Z1	1	332161040R1	
C3002	C-CERA C	CK725F1E-104Z1	1	332161040R1	
C3004	C-CERA C	CK725F1E-104Z1	1	332161040R1	
C3006	VR C	CE04W16V-100M(VR)	1	394641017T	
C3007	C-CERA C	CK725F1E-104Z1	1	332161040R1	
C3008	VR C	CE04W16V-100M(VR)	1	394641017T	
C3011	C-CERA C	CC725CH1H-101J1	1	342101014R1	
C3012	C-CERA C	CK725B1C-104K1	1	332121045R1	
C3013	C-CERA C	CC725CH1H-080D1	1	342100802R1	
C3014	C-CERA C	CC725CH1H-101J1	1	342101014R1	
C3015	C-CERA C	CK725B1C-104K1	1	332121045R1	
C3016	C-CERA C	CC725CH1H-080D1	1	342100802R1	
C3017	C-CERA C	CC725CH1H-101J1	1	342101014R1	
C3018	C-CERA C	CK725B1C-104K1	1	332121045R1	
C3019	C-CERA C	CC725CH1H-080D1	1	342100802R1	
C3021	C-CERA C	CK725F1E-104Z1	1	332161040R1	
C3022	VR C	CE04W16V-100M(VR)	1	394641017T	
C3025	C-CERA C	CK725F1E-104Z1	1	332161040R1	
C3031	UTSP C	CE04W50V-1M(UTSP)	1	397580107T	
C3032	UTSP C	CE04W50V-1M(UTSP)	1	397580107T	
C3033	UTSP C	CE04W50V-1M(UTSP)	1	397580107T	
C3034	UTSP C	CE04W50V-1M(UTSP)	1	397580107T	
C3035	VR C	CE04W16V-100M(VR)	1	394641017T	
C3036	C-CERA C	CK725F1E-104Z1	1	332161040R1	
C3037	C-CERA C	CK725F1E-104Z1	1	332161040R1	
C3041	UTSP C	CE04W10V-470M(UTSP)	1	397534717T	
C3042	UTSP C	CE04W10V-470M(UTSP)	1	397534717T	
C3043	C-CERA C	CK725F1E-104Z1	1	332161040R1	
C3044	C-CERA C	CK725F1E-104Z1	1	332161040R1	
C3045	TF C	ECQ-B50V-222J	1	374722224T	
C3046	TF C	ECQ-B50V-222J	1	374722224T	
C3047	UTSJ C	CE04W25V-47M(UTSJ)	1	398054707T	
C3048	C-CERA C	CK725F1E-104Z1	1	332161040R1	
C3049	VR C	CE04W16V-100M(VR)	1	394641017T	
C3050	UTSP C	CE04W10V-470M(UTSP)	1	397534717T	
C3051	C-CERA C	CK725F1E-104Z1	1	332161040R1	
C3052	C-CERA C	CK725B1H-102K1	1	332101025R1	
C3053	C-CERA C	CK725B1H-223K1	1	332102235R1	
C3054	C-CERA C	CK725F1E-104Z1	1	332161040R1	
C3055	C-CERA C	CC725CH1H-330J1	1	342103304R1	
C3057	C-CERA C	CC725CH1H-330J1	1	342103304R1	
C3058	C-CERA C	CC725CH1H-330J1	1	342103304R1	
C3059	UTSP C	CE04W10V-470M(UTSP)	1	397534717T	
C3061	C-CERA C	CK725F1E-104Z1	1	332161040R1	
C3062	C-CERA C	CK725F1E-104Z1	1	332161040R1	

C3064	C-CERA C	CK725B1H-102K1	1	332101025R1
C3065	C-CERA C	CK725F1E-104Z1	1	332161040R1
C3069	C-CERA C	CK725F1E-104Z1	1	332161040R1
C3071	C-CERA C	CC725CH1H-120J1	1	342101204R1
C3072	C-CERA C	CC725CH1H-120J1	1	342101204R1
C3073	C-CERA C	CK725F1E-104Z1	1	332161040R1
C3081	UTSP C	CE04W25V-47M(UTSP)	1	397554707T
C3082	UTSP C	CE04W25V-47M(UTSP)	1	397554707T
C3091	UTSP C	CE04W25V-47M(UTSP)	1	397554707T
C3092	UTSP C	CE04W25V-47M(UTSP)	1	397554707T
C3095	UTSP C	CE04W25V-220M(UTSP)	1	397552217T
C3096	UTSP C	CE04W25V-220M(UTSP)	1	397552217T
C3701	UTSP C	CE04W10V-220M(UTSP)	1	397532217T
C3702	C-FILM C	ECHU16V-104J	1	373041044R2
C3703	UTSP C	CE04W10V-220M(UTSP)	1	397532217T
C3704	C-FILM C	ECHU16V-104J	1	373041044R2
C3705	UTSJ C	CE04W25V-47M(UTSJ)	1	398054707T
C3707	UTSP C	CE04W10V-220M(UTSP)	1	397532217T
C3708	UTSP C	CE04W10V-220M(UTSP)	1	397532217T
C3709	C-FILM C	ECHU16V-104J	1	373041044R2
C3710	C-CERA C	CK725B1H-102K1	1	332101025R1
C3711	C-CERA C	CK725B1H-102K1	1	332101025R1
C3721	UTSP C	CE04W10V-220M(UTSP)	1	397532217T
C3722	C-FILM C	ECHU16V-104J	1	373041044R2
C3723	UTSP C	CE04W10V-220M(UTSP)	1	397532217T
C3724	C-FILM C	ECHU16V-104J	1	373041044R2
C3725	UTSJ C	CE04W25V-47M(UTSJ)	1	398054707T
C3727	UTSP C	CE04W10V-220M(UTSP)	1	397532217T
C3728	UTSP C	CE04W10V-220M(UTSP)	1	397532217T
C3729	C-FILM C	ECHU16V-104J	1	373041044R2
C3730	C-CERA C	CK725B1H-102K1	1	332101025R1
C3741	UTSP C	CE04W10V-220M(UTSP)	1	397532217T
C3742	C-FILM C	ECHU16V-104J	1	373041044R2
C3743	UTSP C	CE04W10V-220M(UTSP)	1	397532217T
C3744	C-FILM C	ECHU16V-104J	1	373041044R2
C3745	UTSJ C	CE04W25V-47M(UTSJ)	1	398054707T
C3747	UTSP C	CE04W10V-220M(UTSP)	1	397532217T
C3748	UTSP C	CE04W10V-220M(UTSP)	1	397532217T
C3749	C-FILM C	ECHU16V-104J	1	373041044R2
C3750	C-CERA C	CK725B1H-102K1	1	332101025R1
C3761	UTSP C	CE04W10V-220M(UTSP)	1	397532217T
C3762	C-FILM C	ECHU16V-104J	1	373041044R2
C3763	UTSP C	CE04W10V-220M(UTSP)	1	397532217T
C3764	C-FILM C	ECHU16V-104J	1	373041044R2
C3765	UTSJ C	CE04W25V-47M(UTSJ)	1	398054707T
C3767	UTSP C	CE04W10V-220M(UTSP)	1	397532217T
C3768	UTSP C	CE04W10V-220M(UTSP)	1	397532217T
C3769	C-FILM C	ECHU16V-104J	1	373041044R2
C3770	C-CERA C	CK725B1H-102K1	1	332101025R1
C3781	UTSP C	CE04W10V-220M(UTSP)	1	397532217T

C3782	C-FILM C	ECHU16V-104J	1	373041044R2
C3783	UTSP C	CE04W10V-220M(UTSP)	1	397532217T
C3784	C-FILM C	ECHU16V-104J	1	373041044R2
C3785	UTSJ C	CE04W25V-47M(UTSJ)	1	398054707T
C3787	UTSP C	CE04W10V-220M(UTSP)	1	397532217T
C3788	UTSP C	CE04W10V-220M(UTSP)	1	397532217T
C3789	C-FILM C	ECHU16V-104J	1	373041044R2
C3790	C-CERA C	CK725B1H-102K1	1	332101025R1
C3800	TF C	ECQ-B50V-272J	1	374722724T
C3801	TF C	ECQ-B50V-272J	1	374722724T
C3802	TF C	ECQ-B50V-272J	1	374722724T
C3803	TF C	ECQ-B50V-272J	1	374722724T
C3804	TF C	ECQ-B50V-272J	1	374722724T
C3805	TF C	ECQ-B50V-272J	1	374722724T
C3806	TF C	ECQ-B50V-272J	1	374722724T
C3807	TF C	ECQ-B50V-272J	1	374722724T
C3808	TF C	ECQ-B50V-272J	1	374722724T
C3809	TF C	ECQ-B50V-272J	1	374722724T
C3810	TF C	ECQ-B50V-272J	1	374722724T
C3811	TF C	ECQ-B50V-272J	1	374722724T
C3812	TF C	ECQ-B50V-272J	1	374722724T
C3813	TF C	ECQ-B50V-272J	1	374722724T
C3814	TF C	ECQ-B50V-272J	1	374722724T
C3815	TF C	ECQ-B50V-272J	1	374722724T
C3816	TF C	ECQ-B50V-272J	1	374722724T
C3817	TF C	ECQ-B50V-272J	1	374722724T
C3818	TF C	ECQ-B50V-272J	1	374722724T
C3819	TF C	ECQ-B50V-272J	1	374722724T
C3820	TF C	ECQ-B50V-101K	1	374721015T
C3821	TF C	ECQ-B50V-101K	1	374721015T
C3822	TF C	ECQ-B50V-101K	1	374721015T
C3823	TF C	ECQ-B50V-101K	1	374721015T
C3824	TF C	ECQ-B50V-101K	1	374721015T
C3825	TF C	ECQ-B50V-101K	1	374721015T
C3826	TF C	ECQ-B50V-101K	1	374721015T
C3827	TF C	ECQ-B50V-101K	1	374721015T
C3828	TF C	ECQ-B50V-101K	1	374721015T
C3829	TF C	ECQ-B50V-101K	1	374721015T
C3830	TF C	ECQ-B50V-101K	1	374721015T
C3831	TF C	ECQ-B50V-101K	1	374721015T
C3832	TF C	ECQ-B50V-101K	1	374721015T
C3833	TF C	ECQ-B50V-101K	1	374721015T
C3834	TF C	ECQ-B50V-101K	1	374721015T
C3835	TF C	ECQ-B50V-101K	1	374721015T
C3836	TF C	ECQ-B50V-101K	1	374721015T
C3836	TF C	ECQ-B50V-101K	1	374721015T
C3837	TF C	ECQ-B50V-101K	1	374721015T
C3838	TF C	ECQ-B50V-101K	1	374721015T
C3839	TF C	ECQ-B50V-101K	1	374721015T
C3850	TF C	ECQ-B50V-122J	1	374721224T

C3851	TF C	ECQ-B50V-122J	1	374721224T
C3852	TF C	ECQ-B50V-122J	1	374721224T
C3853	TF C	ECQ-B50V-122J	1	374721224T
C3854	TF C	ECQ-B50V-122J	1	374721224T
C3855	TF C	ECQ-B50V-122J	1	374721224T
C3856	TF C	ECQ-B50V-122J	1	374721224T
C3857	TF C	ECQ-B50V-122J	1	374721224T
C3858	TF C	ECQ-B50V-122J	1	374721224T
C3859	TF C	ECQ-B50V-122J	1	374721224T
C3860	TF C	ECQ-B50V-471J	1	374724714T
C3861	TF C	ECQ-B50V-471J	1	374724714T
C3862	TF C	ECQ-B50V-471J	1	374724714T
C3863	TF C	ECQ-B50V-471J	1	374724714T
C3864	TF C	ECQ-B50V-471J	1	374724714T
C3865	TF C	ECQ-B50V-471J	1	374724714T
C3866	TF C	ECQ-B50V-471J	1	374724714T
C3867	TF C	ECQ-B50V-471J	1	374724714T
C3868	TF C	ECQ-B50V-471J	1	374724714T
C3869	TF C	ECQ-B50V-471J	1	374724714T
C3870	UTSP C	CE04W50V 47M(UTSP)	1	397584707T
C3871	UTSP C	CE04W50V 47M(UTSP)	1	397584707T
C3872	UTSP C	CE04W50V 47M(UTSP)	1	397584707T
C3873	UTSP C	CE04W50V 47M(UTSP)	1	397584707T
C3874	UTSP C	CE04W50V 47M(UTSP)	1	397584707T
C3875	UTSP C	CE04W50V 47M(UTSP)	1	397584707T
C3876	UTSP C	CE04W50V 47M(UTSP)	1	397584707T
C3877	UTSP C	CE04W50V 47M(UTSP)	1	397584707T
C3878	UTSP C	CE04W50V 47M(UTSP)	1	397584707T
C3879	UTSP C	CE04W50V 47M(UTSP)	1	397584707T
C3880	UTSP C	CE04W25V-220M(UTSP)	1	397552217T
C3881	UTSP C	CE04W25V-220M(UTSP)	1	397552217T
C3882	UTSP C	CE04W25V-220M(UTSP)	1	397552217T
C3883	UTSP C	CE04W25V-220M(UTSP)	1	397552217T
C3884	UTSP C	CE04W25V-220M(UTSP)	1	397552217T
C3885	UTSP C	CE04W25V-220M(UTSP)	1	397552217T
C3886	UTSP C	CE04W25V-220M(UTSP)	1	397552217T
C3887	UTSP C	CE04W25V-220M(UTSP)	1	397552217T
C3888	UTSP C	CE04W25V-220M(UTSP)	1	397552217T
C3889	UTSP C	CE04W25V-220M(UTSP)	1	397552217T
C4201	UTSP C	CE04W50V 47M(UTSP)	1	397584707T
C4202	UTSP C	CE04W50V 47M(UTSP)	1	397584707T
C4203	UTSP C	CE04W50V 47M(UTSP)	1	397584707T
C4204	UTSP C	CE04W50V 47M(UTSP)	1	397584707T
C4205	UTSP C	CE04W50V 47M(UTSP)	1	397584707T
C4206	UTSP C	CE04W50V 47M(UTSP)	1	397584707T
C4207	UTSP C	CE04W50V 47M(UTSP)	1	397584707T
C4208	UTSP C	CE04W50V 47M(UTSP)	1	397584707T
C4209	UTSP C	CE04W50V 47M(UTSP)	1	397584707T
C4210	UTSP C	CE04W50V 47M(UTSP)	1	397584707T
C4211	UTSP C	CE04W50V 47M(UTSP)	1	397584707T
C4212	UTSP C	CE04W50V 47M(UTSP)	1	397584707T
C4213	UTSP C	CE04W50V 47M(UTSP)	1	397584707T
C4214	UTSP C	CE04W50V 47M(UTSP)	1	397584707T

C4227	TF C	ECQ-B50V-223J	1	374722234T	
C4228	TF C	ECQ-B50V-223J	1	374722234T	
C4229	TF C	ECQ-V50V-823J	1	374728234T	
C4230	TF C	ECQ-V50V-823J	1	374728234T	
C4231	TF C	ECQ-V50V-474J	1	374724744T	
C4232	TF C	ECQ-V50V-474J	1	374724744T	
C4233	UTSP C	CE04W50V 47M(UTSP)	1	397584707T	
C4234	UTSP C	CE04W50V 47M(UTSP)	1	397584707T	
C4235	UTSP C	CE04W50V 47M(UTSP)	1	397584707T	
C4236	UTSP C	CE04W50V 47M(UTSP)	1	397584707T	
C4237	UTSP C	CE04W50V 47M(UTSP)	1	397584707T	
C4238	UTSP C	CE04W50V 47M(UTSP)	1	397584707T	
C4239	UTSP C	CE04W50V 47M(UTSP)	1	397584707T	
C4240	UTSP C	CE04W50V 47M(UTSP)	1	397584707T	
C4291	UTSP C	CE04W25V-220M(UTSP)	1	397552217T	
C4292	UTSP C	CE04W25V-220M(UTSP)	1	397552217T	
C4293	UTSP C	CE04W50V 47M(UTSP)	1	397584707T	
C4294	UTSP C	CE04W50V 47M(UTSP)	1	397584707T	
C4295	UTSP C	CE04W25V-220M(UTSP)	1	397552217T	
C4296	UTSP C	CE04W25V-220M(UTSP)	1	397552217T	
C4720	UTSP C	CE04W50V 47M(UTSP)	1	397584707T	
C4721	UTSP C	CE04W50V 47M(UTSP)	1	397584707T	
C4722	UTSP C	CE04W50V 47M(UTSP)	1	397584707T	
C4723	UTSP C	CE04W50V 47M(UTSP)	1	397584707T	
C4724	UTSP C	CE04W50V 47M(UTSP)	1	397584707T	
C4725	UTSP C	CE04W50V 47M(UTSP)	1	397584707T	
C4726	UTSP C	CE04W50V 47M(UTSP)	1	397584707T	
C4727	UTSP C	CE04W50V 47M(UTSP)	1	397584707T	
C4730	UTSP C	CE04W50V 47M(UTSP)	1	397584707T	
C4731	UTSP C	CE04W50V 47M(UTSP)	1	397584707T	
C4732	UTSP C	CE04W50V 47M(UTSP)	1	397584707T	
C4733	UTSP C	CE04W50V 47M(UTSP)	1	397584707T	
C4734	UTSP C	CE04W50V 47M(UTSP)	1	397584707T	
C4735	UTSP C	CE04W50V 47M(UTSP)	1	397584707T	
C4736	UTSP C	CE04W50V 47M(UTSP)	1	397584707T	
C4737	UTSP C	CE04W50V 47M(UTSP)	1	397584707T	
C4740	UTSP C	CE04W25V-100M(UTSP)	1	397551017T	
C4741	UTSP C	CE04W25V-100M(UTSP)	1	397551017T	
C7002	VR C	CE04W50V-4.7M(VR)	1	394680477T	
C7003	C-CERA C	CK725F1E-104Z1	1	332161040R1	
C7004	C-CERA C	CK725F1E-104Z1	1	332161040R1	<MA>
C7005	C-CERA C	CK725F1E-104Z1	1	332161040R1	
C7006	C-CERA C	CK725F1E-104Z1	1	332161040R1	
C7007	C-CERA C	CK725F1E-104Z1	1	332161040R1	
C7008	C-CERA C	CK725B1H-102K1	1	332101025R1	
C7009	C-CERA C	CK725F1E-104Z1	1	332161040R1	
C7010	C-CERA C	CK725F1E-104Z1	1	332161040R1	

C7011	C-CERA C	CK725F1E-104Z1	1	332161040R1	
C7012	C-CERA C	CK725F1E-104Z1	1	332161040R1	
C7013	C-CERA C	CK725F1E-104Z1	1	332161040R1	
C7014	C-CERA C	CK725F1E-104Z1	1	332161040R1	
C7015	C-CERA C	CK725B1H-102K1	1	332101025R1	
C7016	C-CERA C	CK725B1H-102K1	1	332101025R1	
C7017	C-CERA C	CK725F1E-104Z1	1	332161040R1	
C7018	C-CERA C	CK725B1H-102K1	1	332101025R1	
C7019	C-CERA C	CK725B1H-102K1	1	332101025R1	
C7020	C-CERA C	CK725B1H-102K1	1	332101025R1	
C7021	C-CERA C	CK725B1H-102K1	1	332101025R1	
C7022	C-CERA C	CC725CH1H-101J1	1	342101014R1	
C7023	C-CERA C	CC725CH1H-101J1	1	342101014R1	
C7024	C-CERA C	CK725F1E-104Z1	1	332161040R1	
C7025	C-CERA C	CK725F1E-104Z1	1	332161040R1	
C7027	C-CERA C	CK725F1E-104Z1	1	332161040R1	
C7151	C-CERA C	CK725F1E-104Z1	1	332161040R1	
C7152	VR C	CE04W16V-100M(VR)	1	394641017T	
C7155	C-CERA C	CK725F1E-104Z1	1	332161040R1	
C7161	C-CERA C	CK725F1E-104Z1	1	332161040R1	
C7165	C-CERA C	CK725F1E-104Z1	1	332161040R1	<DD>
C7166	VR C	CE04W16V-100M(VR)	1	394641017T	
C7171	C-CERA C	CK725F1E-104Z1	1	332161040R1	
C7172	C-CERA C	CK725F1E-104Z1	1	332161040R1	
C7181	C-CERA C	CK725F1E-104Z1	1	332161040R1	
C7183	VR C	CE04W16V-100M(VR)	1	394641017T	
C7201	VR C	CE04W16V-470M(VR)	1	394644717T	
C7203	VR C	CE04W6.3V-1000M(VR)	1	394621027T	
C7221	VR C	CE04W16V-470M(VR)	1	394644717T	
C7223	VR C	CE04W6.3V-1000M(VR)	1	394621027T	
C7231	VR C	CE04W16V-470M(VR)	1	394644717T	
C7233	VR C	CE04W6.3V-1000M(VR)	1	394621027T	
C7234	UTSP C	CE04W50V-10M(UTSP)	1	397581007T	<DD>
C7235	VR C	CE04W16V-100M(VR)	1	394641017T	<DD>
C7241	UTSP C	CE04W50V-10M(UTSP)	1	397581007T	
C7242	VR C	CE04W16V-100M(VR)	1	394641017T	
C7243	VR C	CE04W16V-100M(VR)	1	394641017T	
C7247	UTSP C	CE04W50V-10M(UTSP)	1	397581007T	
C7248	VR C	CE04W16V-100M(VR)	1	394641017T	
C7251	UTSP C	CE04W50V-10M(UTSP)	1	397581007T	
C7252	VR C	CE04W16V-100M(VR)	1	394641017T	
C7255	VR C	CE04W16V-470M(VR)	1	394644717T	
C7262	VR C	CE04W16V-100M(VR)	1	394641017T	
C7263	VR C	CE04W16V-100M(VR)	1	394641017T	
C7265	C-CERA C	CK732B1A-105K	1	337361055R2	
C7266	VR C	CE04W16V-100M(VR)	1	394641017T	
C7341	C-CERA C	CK732B1A-105K	1	337361055R2	<DD>
C7342	C-CERA C	CK732B1A-105K	1	337361055R2	<DD>
C7351	C-CERA C	CK732B1A-105K	1	337361055R2	
C7352	C-CERA C	CK732B1A-105K	1	337361055R2	

C7355	C-CERA C	CK732B1A-105K	1	337361055R2	
C7356	C-CERA C	CK732B1A-105K	1	337361055R2	
C7361	C-CERA C	CK732B1A-105K	1	337361055R2	
C7362	C-CERA C	CK732B1A-105K	1	337361055R2	
C7365	C-CERA C	CK732B1A-105K	1	337361055R2	
C7366	C-CERA C	CK732B1A-105K	1	337361055R2	
C7368	C-CERA C	CK732B1A-105K	1	337361055R2	
C7369	C-CERA C	CK732B1A-105K	1	337361055R2	
C7371	VR C	CE04W16V-470M(VR)	1	394644717T	
C7381	VR C	CE04W16V-470M(VR)	1	394644717T	
C7382	C-CERA C	CK725F1E-104Z1	1	332161040R1	
C7383	VR C	CE04W16V-100M(VR)	1	394641017T	
C7385	VR C	CE04W16V-470M(VR)	1	394644717T	
C7386	C-CERA C	CK725F1E-104Z1	1	332161040R1	
C7387	VR C	CE04W16V-100M(VR)	1	394641017T	
C7391	C-CERA C	CK725F1E-104Z1	1	332161040R1	
C7392	VR C	CE04W16V-100M(VR)	1	394641017T	
C7401	VR C	CE04W16V-100M(VR)	1	394641017T	<MA>
R1001	CARBON R	MCR03EZPF49R9(49.9_1	1	4100037R2	
R1002	CARBON R	MCR03EZPF49R9(49.9_1	1	4100037R2	
R1003	CARBON R	MCR03EZPF49R9(49.9_1	1	4100037R2	
R1004	CARBON R	MCR03EZPF49R9(49.9_1	1	4100037R2	
R1005	C-CARBON R	RN72K1J-222JE	1	435032224R1	
R1008	C-CARBON R	RN72K1J-103JE	1	435031034R1	
R1009	C-CARBON R	RN72K1J-471JE	1	435034714R1	
R101	C-CARBON R	RN72K1J-220JE	1	435032204R1	<DD>
R1010	C-CARBON R	RN72K1J-103JE	1	435031034R1	
R1011	C-CARBON R	RN72K1J-100JE	1	435031004R1	
R1012	C-CARBON R	RN72K1J-100JE	1	435031004R1	
R102	C-CARBON R	RN72K1J-331JE	1	435033314R1	<DD>
R1026	C-CARBON R	RN72K1J-470JE	1	435034704R1	
R1027	C-CARBON R	RN72K1J-470JE	1	435034704R1	
R1028	C-CARBON R	RN72K1J-470JE	1	435034704R1	
R1029	C-CARBON R	RN72K1J-470JE	1	435034704R1	
R103	C-CARBON R	RN72K1J-331JE	1	435033314R1	<DD>
R1030	C-CARBON R	RN72K1J-103JE	1	435031034R1	
R104	C-CARBON R	RN72K1J-331JE	1	435033314R1	<DD>
R105	C-CARBON R	RN72K1J-101JE	1	435031014R1	<DD>
R106	C-CARBON R	RN72K1J-220JE	1	435032204R1	<DD>
R107	C-CARBON R	RN72K1J-220JE	1	435032204R1	<DD>
R108	C-CARBON R	RN72K1J-220JE	1	435032204R1	<DD>
R109	C-CARBON R	RN72K1J-220JE	1	435032204R1	<DD>
R110	C-CARBON R	RN72K1J-104JE	1	435031044R1	<DD>
R111	C-CARBON R	RN72K1J-105JE	1	435031054R1	<DD>
R112	C-CARBON R	RN72K1J-681JE	1	435036814R1	<DD>
R113	C-CARBON R	RN72K1J-104JE	1	435031044R1	<DD>
R114	C-CARBON R	RN72K1J-104JE	1	435031044R1	<DD>
R115	C-CARBON R	RN72K1J-104JE	1	435031044R1	<DD>
R116	C-CARBON R	RN72K1J-220JE	1	435032204R1	<DD>
R117	C-CARBON R	RN72K1J-104JE	1	435031044R1	<DD>

R118	C-CARBON R	RN72K1J-102JE	1	435031024R1	<DD>
R119	C-CARBON R	RN72K1J-102JE	1	435031024R1	<DD>
R120	C-CARBON R	RN72K1J-101JE	1	435031014R1	<DD>
R121	C-CARBON R	RN72K1J-220JE	1	435032204R1	<DD>
R122	C-CARBON R	RN72K1J-101JE	1	435031014R1	<DD>
R123	C-CARBON R	RN72K1J-220JE	1	435032204R1	<DD>
R124	C-CARBON R	RN72K1J-104JE	1	435031044R1	<DD>
R125	C-CARBON R	RN72K1J-104JE	1	435031044R1	<DD>
R126	C-CARBON R	RN72K1J-222JE	1	435032224R1	<DD>
R127	C-CARBON R	RN72K1J-222JE	1	435032224R1	<DD>
R128	C-CARBON R	RN72K1J-222JE	1	435032224R1	<DD>
R129	C-CARBON R	RN72K1J-222JE	1	435032224R1	<DD>
R130	C-CARBON R	RN72K1J-332JE	1	435033324R1	<DD>
R131	C-CARBON R	RN72K1J-332JE	1	435033324R1	<DD>
R132	C-CARBON R	RN72K1J-472JE	1	435034724R1	<DD>
R133	C-CARBON R	RN72K1J-472JE	1	435034724R1	<DD>
R135	C-CARBON R	RN72K1J-104JE	1	435031044R1	<DD>
R136	C-CARBON R	RN72K1J-104JE	1	435031044R1	<DD>
R137	C-CARBON R	RN72K1J-470JE	1	435034704R1	<DD>
R141	C-CARBON R	RN72K1J-104JE	1	435031044R1	<DD>
R142	C-CARBON R	RN72K1J-103JE	1	435031034R1	<DD>
R145	C-CARBON R	RN72K1J-104JE	1	435031044R1	<DD>
R150	C-CARBON R	RN72K1J-000JE	1	435030004R1	<DD>
R151	C-CARBON R	RN72K1J-563JE	1	435035634R1	<DD>
R152	C-CARBON R	RN72K1J-563JE	1	435035634R1	<DD>
R3001	C-CARBON R	RN72K1J-470JE	1	435034704R1	
R3002	C-CARBON R	RN72K1J-470JE	1	435034704R1	
R3004	C-CARBON R	RN72K1J-221JE	1	435032214R1	
R3007	C-CARBON R	RN72K1J-103JE	1	435031034R1	
R3011	C-CARBON R	RN72K1J-750JE	1	435037504R1	
R3012	C-CARBON R	RN72K1J-100JE	1	435031004R1	
R3013	C-CARBON R	RN72K1J-224JE	1	435032244R1	
R3014	C-CARBON R	RN72K1J-103JE	1	435031034R1	
R3015	C-CARBON R	RN72K1J-750JE	1	435037504R1	
R3016	C-CARBON R	RN72K1J-100JE	1	435031004R1	
R3017	C-CARBON R	RN72K1J-224JE	1	435032244R1	
R3018	C-CARBON R	RN72K1J-103JE	1	435031034R1	
R3019	C-CARBON R	RN72K1J-750JE	1	435037504R1	
R3020	C-CARBON R	RN72K1J-100JE	1	435031004R1	
R3021	C-CARBON R	RN72K1J-224JE	1	435032244R1	
R3022	C-CARBON R	RN72K1J-103JE	1	435031034R1	
R3023	C-CARBON R	RN72K1J-470JE	1	435034704R1	
R3025	C-CARBON R	RN72K1J-221JE	1	435032214R1	
R3031	C-CARBON R	RN72K1J-103JE	1	435031034R1	
R3032	C-CARBON R	RN72K1J-331JE	1	435033314R1	
R3033	C-CARBON R	RN72K1J-331JE	1	435033314R1	
R3034	C-CARBON R	RN72K1J-331JE	1	435033314R1	
R3035	C-CARBON R	RN72K1J-103JE	1	435031034R1	
R3036	C-CARBON R	RN72K1J-331JE	1	435033314R1	
R3037	C-CARBON R	RN72K1J-103JE	1	435031034R1	

R3041	C-CARBON R	RN72K1J-102JE	1	435031024R1
R3042	C-CARBON R	RN72K1J-470JE	1	435034704R1
R3043	C-CARBON R	RN72K1J-102JE	1	435031024R1
R3045	C-CARBON R	RN72K1J-102JE	1	435031024R1
R3046	C-CARBON R	RN72K1J-470JE	1	435034704R1
R3047	C-CARBON R	RN72K1J-221JE	1	435032214R1
R3048	C-CARBON R	RN72K1J-392JE	1	435033924R1
R3049	C-CARBON R	RN72K1J-392JE	1	435033924R1
R3050	C-CARBON R	RN72K1J-152JE	1	435031524R1
R3051	C-CARBON R	RN72K1J-331JE	1	435033314R1
R3052	C-CARBON R	RN72K1J-331JE	1	435033314R1
R3053	C-CARBON R	RN72K1J-331JE	1	435033314R1
R3054	C-CARBON R	RN72K1J-331JE	1	435033314R1
R3056	C-CARBON R	RN72K1J-470JE	1	435034704R1
R3057	C-CARBON R	RN72K1J-470JE	1	435034704R1
R3058	C-CARBON R	RN72K1J-470JE	1	435034704R1
R3059	C-CARBON R	RN72K1J-221JE	1	435032214R1
R3060	C-CARBON R	RN72K1J-470JE	1	435034704R1
R3061	C-CARBON R	RN72K1J-470JE	1	435034704R1
R3065	C-CARBON R	RN72K1J-101JE	1	435031014R1
R3069	C-CARBON R	RN72K1J-101JE	1	435031014R1
R3071	C-CARBON R	RN72K1J-105JE	1	435031054R1
R3076	C-CARBON R	RN72K1J-000JE	1	435030004R1
R3081	C-CARBON R	RN72K1J-103JE	1	435031034R1
R3082	C-CARBON R	RN72K1J-103JE	1	435031034R1
R3083	C-CARBON R	RN72K1J-103JE	1	435031034R1
R3084	C-CARBON R	RN72K1J-103JE	1	435031034R1
R3085	C-CARBON R	RN72K1J-103JE	1	435031034R1
R3086	C-CARBON R	RN72K1J-560JE	1	435035604R1
R3087	C-CARBON R	RN72K1J-560JE	1	435035604R1
R3091	C-CARBON R	RN72K1J-103JE	1	435031034R1
R3092	C-CARBON R	RN72K1J-103JE	1	435031034R1
R3093	C-CARBON R	RN72K1J-103JE	1	435031034R1
R3094	C-CARBON R	RN72K1J-103JE	1	435031034R1
R3095	C-CARBON R	RN72K1J-103JE	1	435031034R1
R3096	C-CARBON R	RN72K1J-560JE	1	435035604R1
R3097	C-CARBON R	RN72K1J-560JE	1	435035604R1
R3098	C-CARBON R	RN72K1J-391JE	1	435033914R1
R3099	C-CARBON R	RN72K1J-391JE	1	435033914R1
R3680	C-CARBON R	RN72K1J-181JE	1	435031814R1
R3681	C-CARBON R	RN72K1J-181JE	1	435031814R1
R3682	C-CARBON R	RN72K1J-181JE	1	435031814R1
R3683	C-CARBON R	RN72K1J-181JE	1	435031814R1
R3684	C-CARBON R	RN72K1J-181JE	1	435031814R1
R3685	C-CARBON R	RN72K1J-181JE	1	435031814R1
R3686	C-CARBON R	RN72K1J-181JE	1	435031814R1
R3687	C-CARBON R	RN72K1J-181JE	1	435031814R1
R3688	C-CARBON R	RN72K1J-181JE	1	435031814R1
R3689	C-CARBON R	RN72K1J-181JE	1	435031814R1
R3690	C-CARBON R	RN72K1J-181JE	1	435031814R1
R3691	C-CARBON R	RN72K1J-181JE	1	435031814R1
R3692	C-CARBON R	RN72K1J-181JE	1	435031814R1
R3693	C-CARBON R	RN72K1J-181JE	1	435031814R1
R3694	C-CARBON R	RN72K1J-181JE	1	435031814R1
R3695	C-CARBON R	RN72K1J-181JE	1	435031814R1
R3696	C-CARBON R	RN72K1J-181JE	1	435031814R1
R3697	C-CARBON R	RN72K1J-181JE	1	435031814R1
R3698	C-CARBON R	RN72K1J-181JE	1	435031814R1

R3699	C-CARBON R	RN72K1J-181JE	1	435031814R1
R3701	C-CARBON R	RN72K1J-103JE	1	435031034R1
R3702	C-CARBON R	RN72K1J-331JE	1	435033314R1
R3703	C-CARBON R	RN72K1J-331JE	1	435033314R1
R3704	C-CARBON R	RN72K1J-331JE	1	435033314R1
R3705	C-CARBON R	RN72K1J-331JE	1	435033314R1
R3706	C-CARBON R	RN72K1J-331JE	1	435033314R1
R3707	C-CARBON R	RN72K1J-331JE	1	435033314R1
R3708	C-CARBON R	RN72K1J-331JE	1	435033314R1
R3709	C-CARBON R	RN72K1J-470JE	1	435034704R1
R3710	C-CARBON R	RN72K1J-331JE	1	435033314R1
R3711	C-CARBON R	RN72K1J-103JE	1	435031034R1
R3721	C-CARBON R	RN72K1J-103JE	1	435031034R1
R3722	C-CARBON R	RN72K1J-331JE	1	435033314R1
R3723	C-CARBON R	RN72K1J-331JE	1	435033314R1
R3724	C-CARBON R	RN72K1J-331JE	1	435033314R1
R3725	C-CARBON R	RN72K1J-331JE	1	435033314R1
R3726	C-CARBON R	RN72K1J-331JE	1	435033314R1
R3727	C-CARBON R	RN72K1J-331JE	1	435033314R1
R3728	C-CARBON R	RN72K1J-331JE	1	435033314R1
R3729	C-CARBON R	RN72K1J-470JE	1	435034704R1
R3730	C-CARBON R	RN72K1J-331JE	1	435033314R1
R3731	C-CARBON R	RN72K1J-103JE	1	435031034R1
R3741	C-CARBON R	RN72K1J-103JE	1	435031034R1
R3742	C-CARBON R	RN72K1J-331JE	1	435033314R1
R3743	C-CARBON R	RN72K1J-331JE	1	435033314R1
R3744	C-CARBON R	RN72K1J-331JE	1	435033314R1
R3745	C-CARBON R	RN72K1J-331JE	1	435033314R1
R3746	C-CARBON R	RN72K1J-331JE	1	435033314R1
R3747	C-CARBON R	RN72K1J-331JE	1	435033314R1
R3748	C-CARBON R	RN72K1J-331JE	1	435033314R1
R3749	C-CARBON R	RN72K1J-470JE	1	435034704R1
R3750	C-CARBON R	RN72K1J-331JE	1	435033314R1
R3751	C-CARBON R	RN72K1J-103JE	1	435031034R1
R3761	C-CARBON R	RN72K1J-103JE	1	435031034R1
R3762	C-CARBON R	RN72K1J-331JE	1	435033314R1
R3763	C-CARBON R	RN72K1J-331JE	1	435033314R1
R3764	C-CARBON R	RN72K1J-331JE	1	435033314R1
R3765	C-CARBON R	RN72K1J-331JE	1	435033314R1
R3766	C-CARBON R	RN72K1J-331JE	1	435033314R1
R3767	C-CARBON R	RN72K1J-331JE	1	435033314R1
R3768	C-CARBON R	RN72K1J-331JE	1	435033314R1
R3769	C-CARBON R	RN72K1J-470JE	1	435034704R1
R3770	C-CARBON R	RN72K1J-331JE	1	435033314R1
R3771	C-CARBON R	RN72K1J-103JE	1	435031034R1
R3781	C-CARBON R	RN72K1J-103JE	1	435031034R1
R3782	C-CARBON R	RN72K1J-331JE	1	435033314R1
R3783	C-CARBON R	RN72K1J-331JE	1	435033314R1
R3784	C-CARBON R	RN72K1J-331JE	1	435033314R1
R3785	C-CARBON R	RN72K1J-331JE	1	435033314R1
R3786	C-CARBON R	RN72K1J-331JE	1	435033314R1

R3787	C-CARBON R	RN72K1J-331JE	1	435033314R1
R3788	C-CARBON R	RN72K1J-331JE	1	435033314R1
R3789	C-CARBON R	RN72K1J-470JE	1	435034704R1
R3790	C-CARBON R	RN72K1J-331JE	1	435033314R1
R3791	C-CARBON R	RN72K1J-103JE	1	435031034R1
R3800	C-CARBON R	RN72K1J-561JE	1	435035614R1
R3801	C-CARBON R	RN72K1J-561JE	1	435035614R1
R3802	C-CARBON R	RN72K1J-561JE	1	435035614R1
R3803	C-CARBON R	RN72K1J-561JE	1	435035614R1
R3804	C-CARBON R	RN72K1J-561JE	1	435035614R1
R3805	C-CARBON R	RN72K1J-561JE	1	435035614R1
R3806	C-CARBON R	RN72K1J-561JE	1	435035614R1
R3807	C-CARBON R	RN72K1J-561JE	1	435035614R1
R3808	C-CARBON R	RN72K1J-561JE	1	435035614R1
R3809	C-CARBON R	RN72K1J-561JE	1	435035614R1
R3810	C-CARBON R	RN72K1J-561JE	1	435035614R1
R3811	C-CARBON R	RN72K1J-561JE	1	435035614R1
R3812	C-CARBON R	RN72K1J-561JE	1	435035614R1
R3813	C-CARBON R	RN72K1J-561JE	1	435035614R1
R3814	C-CARBON R	RN72K1J-561JE	1	435035614R1
R3815	C-CARBON R	RN72K1J-561JE	1	435035614R1
R3816	C-CARBON R	RN72K1J-561JE	1	435035614R1
R3817	C-CARBON R	RN72K1J-561JE	1	435035614R1
R3818	C-CARBON R	RN72K1J-561JE	1	435035614R1
R3819	C-CARBON R	RN72K1J-561JE	1	435035614R1
R3820	C-CARBON R	RN72K1J-561JE	1	435035614R1
R3821	C-CARBON R	RN72K1J-561JE	1	435035614R1
R3822	C-CARBON R	RN72K1J-561JE	1	435035614R1
R3823	C-CARBON R	RN72K1J-561JE	1	435035614R1
R3824	C-CARBON R	RN72K1J-561JE	1	435035614R1
R3825	C-CARBON R	RN72K1J-561JE	1	435035614R1
R3826	C-CARBON R	RN72K1J-561JE	1	435035614R1
R3827	C-CARBON R	RN72K1J-561JE	1	435035614R1
R3828	C-CARBON R	RN72K1J-561JE	1	435035614R1
R3829	C-CARBON R	RN72K1J-561JE	1	435035614R1
R3830	C-CARBON R	RN72K1J-561JE	1	435035614R1
R3831	C-CARBON R	RN72K1J-561JE	1	435035614R1
R3832	C-CARBON R	RN72K1J-561JE	1	435035614R1
R3833	C-CARBON R	RN72K1J-561JE	1	435035614R1
R3834	C-CARBON R	RN72K1J-561JE	1	435035614R1
R3835	C-CARBON R	RN72K1J-561JE	1	435035614R1

R3836	C-CARBON R	RN72K1J-561JE	1	435035614R1
R3837	C-CARBON R	RN72K1J-561JE	1	435035614R1
R3838	C-CARBON R	RN72K1J-561JE	1	435035614R1
R3839	C-CARBON R	RN72K1J-561JE	1	435035614R1
R3840	C-CARBON R	RN72K1J-332JE	1	435033324R1
R3841	C-CARBON R	RN72K1J-332JE	1	435033324R1
R3842	C-CARBON R	RN72K1J-332JE	1	435033324R1
R3843	C-CARBON R	RN72K1J-332JE	1	435033324R1
R3844	C-CARBON R	RN72K1J-332JE	1	435033324R1
R3845	C-CARBON R	RN72K1J-332JE	1	435033324R1
R3846	C-CARBON R	RN72K1J-332JE	1	435033324R1
R3847	C-CARBON R	RN72K1J-332JE	1	435033324R1
R3848	C-CARBON R	RN72K1J-332JE	1	435033324R1
R3849	C-CARBON R	RN72K1J-332JE	1	435033324R1
R3850	C-CARBON R	RN72K1J-332JE	1	435033324R1
R3851	C-CARBON R	RN72K1J-332JE	1	435033324R1
R3852	C-CARBON R	RN72K1J-332JE	1	435033324R1
R3853	C-CARBON R	RN72K1J-332JE	1	435033324R1
R3854	C-CARBON R	RN72K1J-332JE	1	435033324R1
R3855	C-CARBON R	RN72K1J-332JE	1	435033324R1
R3856	C-CARBON R	RN72K1J-332JE	1	435033324R1
R3857	C-CARBON R	RN72K1J-332JE	1	435033324R1
R3858	C-CARBON R	RN72K1J-332JE	1	435033324R1
R3859	C-CARBON R	RN72K1J-332JE	1	435033324R1
R3860	C-CARBON R	RN72K1J-103JE	1	435031034R1
R3861	C-CARBON R	RN72K1J-103JE	1	435031034R1
R3862	C-CARBON R	RN72K1J-103JE	1	435031034R1
R3863	C-CARBON R	RN72K1J-103JE	1	435031034R1
R3864	C-CARBON R	RN72K1J-103JE	1	435031034R1
R3865	C-CARBON R	RN72K1J-103JE	1	435031034R1
R3866	C-CARBON R	RN72K1J-103JE	1	435031034R1
R3867	C-CARBON R	RN72K1J-103JE	1	435031034R1
R3868	C-CARBON R	RN72K1J-103JE	1	435031034R1
R3869	C-CARBON R	RN72K1J-103JE	1	435031034R1
R3870	C-CARBON R	RN72K1J-103JE	1	435031034R1
R3871	C-CARBON R	RN72K1J-103JE	1	435031034R1
R3872	C-CARBON R	RN72K1J-103JE	1	435031034R1
R3873	C-CARBON R	RN72K1J-103JE	1	435031034R1
R3874	C-CARBON R	RN72K1J-103JE	1	435031034R1
R3875	C-CARBON R	RN72K1J-103JE	1	435031034R1
R3876	C-CARBON R	RN72K1J-103JE	1	435031034R1
R3877	C-CARBON R	RN72K1J-103JE	1	435031034R1
R3878	C-CARBON R	RN72K1J-103JE	1	435031034R1
R3879	C-CARBON R	RN72K1J-103JE	1	435031034R1
R3880	C-CARBON R	RN72K1J-103JE	1	435031034R1
R3881	C-CARBON R	RN72K1J-103JE	1	435031034R1
R3882	C-CARBON R	RN72K1J-103JE	1	435031034R1
R3883	C-CARBON R	RN72K1J-103JE	1	435031034R1
R3884	C-CARBON R	RN72K1J-103JE	1	435031034R1
R3885	C-CARBON R	RN72K1J-103JE	1	435031034R1

R3886	C-CARBON R	RN72K1J-103JE	1	435031034R1
R3887	C-CARBON R	RN72K1J-103JE	1	435031034R1
R3888	C-CARBON R	RN72K1J-103JE	1	435031034R1
R3889	C-CARBON R	RN72K1J-103JE	1	435031034R1
R3890	C-CARBON R	RN72K1J-103JE	1	435031034R1
R3891	C-CARBON R	RN72K1J-103JE	1	435031034R1
R3892	C-CARBON R	RN72K1J-103JE	1	435031034R1
R3893	C-CARBON R	RN72K1J-103JE	1	435031034R1
R3894	C-CARBON R	RN72K1J-103JE	1	435031034R1
R3895	C-CARBON R	RN72K1J-103JE	1	435031034R1
R3896	C-CARBON R	RN72K1J-103JE	1	435031034R1
R3897	C-CARBON R	RN72K1J-103JE	1	435031034R1
R3898	C-CARBON R	RN72K1J-103JE	1	435031034R1
R3899	C-CARBON R	RN72K1J-103JE	1	435031034R1
R3900	C-CARBON R	RN72K1J-152JE	1	435031524R1
R3901	C-CARBON R	RN72K1J-152JE	1	435031524R1
R3902	C-CARBON R	RN72K1J-152JE	1	435031524R1
R3903	C-CARBON R	RN72K1J-152JE	1	435031524R1
R3904	C-CARBON R	RN72K1J-152JE	1	435031524R1
R3905	C-CARBON R	RN72K1J-152JE	1	435031524R1
R3906	C-CARBON R	RN72K1J-152JE	1	435031524R1
R3907	C-CARBON R	RN72K1J-152JE	1	435031524R1
R3908	C-CARBON R	RN72K1J-152JE	1	435031524R1
R3909	C-CARBON R	RN72K1J-152JE	1	435031524R1
R3910	C-CARBON R	RN72K1J-223JE	1	435032234R1
R3911	C-CARBON R	RN72K1J-223JE	1	435032234R1
R3912	C-CARBON R	RN72K1J-223JE	1	435032234R1
R3913	C-CARBON R	RN72K1J-223JE	1	435032234R1
R3914	C-CARBON R	RN72K1J-223JE	1	435032234R1
R3915	C-CARBON R	RN72K1J-223JE	1	435032234R1
R3916	C-CARBON R	RN72K1J-223JE	1	435032234R1
R3917	C-CARBON R	RN72K1J-223JE	1	435032234R1
R3918	C-CARBON R	RN72K1J-223JE	1	435032234R1
R3919	C-CARBON R	RN72K1J-223JE	1	435032234R1
R3920	C-CARBON R	RN72K1J-223JE	1	435032234R1
R3921	C-CARBON R	RN72K1J-223JE	1	435032234R1
R3922	C-CARBON R	RN72K1J-223JE	1	435032234R1
R3923	C-CARBON R	RN72K1J-223JE	1	435032234R1
R3924	C-CARBON R	RN72K1J-223JE	1	435032234R1
R3925	C-CARBON R	RN72K1J-223JE	1	435032234R1
R3926	C-CARBON R	RN72K1J-223JE	1	435032234R1
R3927	C-CARBON R	RN72K1J-223JE	1	435032234R1
R3928	C-CARBON R	RN72K1J-223JE	1	435032234R1
R3929	C-CARBON R	RN72K1J-223JE	1	435032234R1
R3930	C-CARBON R	RN72K1J-223JE	1	435032234R1
R3931	C-CARBON R	RN72K1J-223JE	1	435032234R1
R3932	C-CARBON R	RN72K1J-223JE	1	435032234R1
R3933	C-CARBON R	RN72K1J-223JE	1	435032234R1
R3934	C-CARBON R	RN72K1J-223JE	1	435032234R1
R3935	C-CARBON R	RN72K1J-223JE	1	435032234R1

R3936	C-CARBON R	RN72K1J-223JE	1	435032234R1
R3937	C-CARBON R	RN72K1J-223JE	1	435032234R1
R3938	C-CARBON R	RN72K1J-223JE	1	435032234R1
R3939	C-CARBON R	RN72K1J-223JE	1	435032234R1
R3940	C-CARBON R	RN72K1J-223JE	1	435032234R1
R3941	C-CARBON R	RN72K1J-223JE	1	435032234R1
R3942	C-CARBON R	RN72K1J-223JE	1	435032234R1
R3943	C-CARBON R	RN72K1J-223JE	1	435032234R1
R3944	C-CARBON R	RN72K1J-223JE	1	435032234R1
R3945	C-CARBON R	RN72K1J-223JE	1	435032234R1
R3946	C-CARBON R	RN72K1J-223JE	1	435032234R1
R3947	C-CARBON R	RN72K1J-223JE	1	435032234R1
R3948	C-CARBON R	RN72K1J-223JE	1	435032234R1
R3949	C-CARBON R	RN72K1J-223JE	1	435032234R1
R3950	C-CARBON R	RN72K1J-152JE	1	435031524R1
R3951	C-CARBON R	RN72K1J-152JE	1	435031524R1
R3952	C-CARBON R	RN72K1J-152JE	1	435031524R1
R3953	C-CARBON R	RN72K1J-152JE	1	435031524R1
R3954	C-CARBON R	RN72K1J-152JE	1	435031524R1
R3955	C-CARBON R	RN72K1J-152JE	1	435031524R1
R3956	C-CARBON R	RN72K1J-152JE	1	435031524R1
R3957	C-CARBON R	RN72K1J-152JE	1	435031524R1
R3958	C-CARBON R	RN72K1J-152JE	1	435031524R1
R3959	C-CARBON R	RN72K1J-152JE	1	435031524R1
R3960	C-CARBON R	RN72K1J-152JE	1	435031524R1
R3961	C-CARBON R	RN72K1J-152JE	1	435031524R1
R3962	C-CARBON R	RN72K1J-152JE	1	435031524R1
R3963	C-CARBON R	RN72K1J-152JE	1	435031524R1
R3964	C-CARBON R	RN72K1J-152JE	1	435031524R1
R3965	C-CARBON R	RN72K1J-152JE	1	435031524R1
R3966	C-CARBON R	RN72K1J-152JE	1	435031524R1
R3967	C-CARBON R	RN72K1J-152JE	1	435031524R1
R3968	C-CARBON R	RN72K1J-152JE	1	435031524R1
R3969	C-CARBON R	RN72K1J-152JE	1	435031524R1
R3970	C-CARBON R	RN72K1J-220JE	1	435032204R1
R3971	C-CARBON R	RN72K1J-220JE	1	435032204R1
R3972	C-CARBON R	RN72K1J-220JE	1	435032204R1
R3973	C-CARBON R	RN72K1J-220JE	1	435032204R1
R3974	C-CARBON R	RN72K1J-220JE	1	435032204R1
R3975	C-CARBON R	RN72K1J-220JE	1	435032204R1
R3976	C-CARBON R	RN72K1J-220JE	1	435032204R1
R3977	C-CARBON R	RN72K1J-220JE	1	435032204R1
R3978	C-CARBON R	RN72K1J-220JE	1	435032204R1
R3979	C-CARBON R	RN72K1J-220JE	1	435032204R1
R3980	C-CARBON R	RN72K1J-224JE	1	435032244R1
R3981	C-CARBON R	RN72K1J-224JE	1	435032244R1
R3982	C-CARBON R	RN72K1J-224JE	1	435032244R1
R3983	C-CARBON R	RN72K1J-224JE	1	435032244R1
R3984	C-CARBON R	RN72K1J-224JE	1	435032244R1
R3985	C-CARBON R	RN72K1J-224JE	1	435032244R1

R3986	C-CARBON R	RN72K1J-224JE	1	435032244R1	
R3987	C-CARBON R	RN72K1J-224JE	1	435032244R1	
R3988	C-CARBON R	RN72K1J-224JE	1	435032244R1	
R3989	C-CARBON R	RN72K1J-224JE	1	435032244R1	
R4201	C-CARBON R	RN72K1J-224JE	1	435032244R1	
R4202	C-CARBON R	RN72K1J-224JE	1	435032244R1	
R4203	C-CARBON R	RN72K1J-224JE	1	435032244R1	
R4204	C-CARBON R	RN72K1J-224JE	1	435032244R1	
R4205	C-CARBON R	RN72K1J-224JE	1	435032244R1	
R4206	C-CARBON R	RN72K1J-224JE	1	435032244R1	
R4207	C-CARBON R	RN72K1J-224JE	1	435032244R1	
R4208	C-CARBON R	RN72K1J-224JE	1	435032244R1	
R4209	C-CARBON R	RN72K1J-473JE	1	435034734R1	
R4210	C-CARBON R	RN72K1J-473JE	1	435034734R1	
R4211	C-CARBON R	RN72K1J-473JE	1	435034734R1	
R4212	C-CARBON R	RN72K1J-473JE	1	435034734R1	
R4213	C-CARBON R	RN72K1J-224JE	1	435032244R1	
R4214	C-CARBON R	RN72K1J-224JE	1	435032244R1	
R4215	C-CARBON R	RN72K1J-224JE	1	435032244R1	
R4216	C-CARBON R	RN72K1J-224JE	1	435032244R1	
R4253	C-CARBON R	RN72K1J-182JE	1	435031824R1	
R4254	C-CARBON R	RN72K1J-182JE	1	435031824R1	
R4255	C-CARBON R	RN72K1J-103JE	1	435031034R1	
R4256	C-CARBON R	RN72K1J-103JE	1	435031034R1	
R4291	NF CARBON R	R25J-22	1	415472204T	
R4292	NF CARBON R	R25J-22	1	415472204T	
R4293	C-CARBON R	RN72K1J-152JE	1	435031524R1	
R4294	C-CARBON R	RN72K1J-152JE	1	435031524R1	
R4720	C-CARBON R	RN72K1J-224JE	1	435032244R1	
R4721	C-CARBON R	RN72K1J-224JE	1	435032244R1	
R4722	C-CARBON R	RN72K1J-224JE	1	435032244R1	
R4723	C-CARBON R	RN72K1J-224JE	1	435032244R1	
R4724	C-CARBON R	RN72K1J-224JE	1	435032244R1	
R4725	C-CARBON R	RN72K1J-224JE	1	435032244R1	
R4726	C-CARBON R	RN72K1J-224JE	1	435032244R1	
R4727	C-CARBON R	RN72K1J-224JE	1	435032244R1	
R4730	C-CARBON R	RN72K1J-224JE	1	435032244R1	
R4731	C-CARBON R	RN72K1J-224JE	1	435032244R1	
R4732	C-CARBON R	RN72K1J-224JE	1	435032244R1	
R4733	C-CARBON R	RN72K1J-224JE	1	435032244R1	
R4734	C-CARBON R	RN72K1J-224JE	1	435032244R1	
R4735	C-CARBON R	RN72K1J-224JE	1	435032244R1	
R4736	C-CARBON R	RN72K1J-224JE	1	435032244R1	
R4737	C-CARBON R	RN72K1J-224JE	1	435032244R1	
R4740	METAL O R	RS1/2WBJ-22	1	443522204T	
R4741	METAL O R	RS1/2WBJ-22	1	443522204T	
R7001	C-CARBON R	RN72K1J-470JE	1	435034704R1	<DD>
R7002	C-CARBON R	RN72K1J-470JE	1	435034704R1	<DD>
R7003	C-CARBON R	RN72K1J-470JE	1	435034704R1	
R7005	C-CARBON R	RN72K1J-470JE	1	435034704R1	<DD>

R7006	C-CARBON R	RN72K1J-221JE	1	435032214R1	
R7007	C-CARBON R	RN72K1J-470JE	1	435034704R1	<DD>
R7008	C-CARBON R	RN72K1J-221JE	1	435032214R1	
R7011	C-CARBON R	RN72K1J-102JE	1	435031024R1	
R7012	C-CARBON R	RN72K1J-102JE	1	435031024R1	
R7013	C-CARBON R	RN72K1J-470JE	1	435034704R1	<DD>
R7014	C-CARBON R	RN72K1J-470JE	1	435034704R1	<DD>
R7016	C-CARBON R	RN72K1J-103JE	1	435031034R1	
R7018	C-CARBON R	RN72K1J-221JE	1	435032214R1	
R7024	C-CARBON R	RN72K1J-103JE	1	435031034R1	
R7025	C-CARBON R	RN72K1J-224JE	1	435032244R1	
R7026	C-CARBON R	RN72K1J-224JE	1	435032244R1	
R7027	C-CARBON R	RN72K1J-472JE	1	435034724R1	
R7030	C-CARBON R	RN72K1J-470JE	1	435034704R1	
R7031	C-CARBON R	RN72K1J-470JE	1	435034704R1	
R7032	C-CARBON R	RN72K1J-221JE	1	435032214R1	
R7033	C-CARBON R	RN72K1J-221JE	1	435032214R1	
R7034	C-CARBON R	RN72K1J-470JE	1	435034704R1	
R7035	C-CARBON R	RN72K1J-470JE	1	435034704R1	
R7036	C-CARBON R	RN72K1J-470JE	1	435034704R1	
R7037	C-CARBON R	RN72K1J-470JE	1	435034704R1	
R7038	C-CARBON R	RN72K1J-470JE	1	435034704R1	
R7040	C-CARBON R	RN72K1J-470JE	1	435034704R1	
R7042	C-CARBON R	RN72K1J-470JE	1	435034704R1	
R7043	C-CARBON R	RN72K1J-470JE	1	435034704R1	
R7044	C-CARBON R	RN72K1J-470JE	1	435034704R1	
R7045	C-CARBON R	RN72K1J-221JE	1	435032214R1	
R7046	C-CARBON R	RN72K1J-470JE	1	435034704R1	
R7048	C-CARBON R	RN72K1J-470JE	1	435034704R1	
R7049	C-CARBON R	RN72K1J-470JE	1	435034704R1	
R7050	C-CARBON R	RN72K1J-470JE	1	435034704R1	
R7051	C-CARBON R	RN72K1J-470JE	1	435034704R1	
R7053	C-CARBON R	RN72K1J-470JE	1	435034704R1	
R7054	C-CARBON R	RN72K1J-103JE	1	435031034R1	
R7055	C-CARBON R	RN72K1J-470JE	1	435034704R1	
R7062	C-CARBON R	RN72K1J-470JE	1	435034704R1	
R7063	C-CARBON R	RN72K1J-470JE	1	435034704R1	
R7064	C-CARBON R	RN72K1J-470JE	1	435034704R1	
R7065	C-CARBON R	RN72K1J-103JE	1	435031034R1	
R7069	C-CARBON R	RN72K1J-470JE	1	435034704R1	
R7070	C-CARBON R	RN72K1J-470JE	1	435034704R1	
R7071	C-CARBON R	RN72K1J-470JE	1	435034704R1	
R7072	C-CARBON R	RN72K1J-470JE	1	435034704R1	
R7073	C-CARBON R	RN72K1J-470JE	1	435034704R1	
R7075	C-CARBON R	RN72K1J-470JE	1	435034704R1	
R7077	C-CARBON R	RN72K1J-470JE	1	435034704R1	
R7078	C-CARBON R	RN72K1J-470JE	1	435034704R1	
R7079	C-CARBON R	RN72K1J-221JE	1	435032214R1	
R7080	C-CARBON R	RN72K1J-470JE	1	435034704R1	
R7081	C-CARBON R	RN72K1J-221JE	1	435032214R1	

R7082	C-CARBON R	RN72K1J-470JE	1	435034704R1	
R7083	C-CARBON R	RN72K1J-221JE	1	435032214R1	
R7084	C-CARBON R	RN72K1J-470JE	1	435034704R1	
R7085	C-CARBON R	RN72K1J-470JE	1	435034704R1	
R7086	C-CARBON R	RN72K1J-221JE	1	435032214R1	
R7087	C-CARBON R	RN72K1J-470JE	1	435034704R1	
R7088	C-CARBON R	RN72K1J-221JE	1	435032214R1	
R7089	C-CARBON R	RN72K1J-470JE	1	435034704R1	
R7090	C-CARBON R	RN72K1J-470JE	1	435034704R1	
R7092	C-CARBON R	RN72K1J-221JE	1	435032214R1	
R7094	C-CARBON R	RN72K1J-470JE	1	435034704R1	
R7095	C-CARBON R	RN72K1J-470JE	1	435034704R1	
R7096	C-CARBON R	RN72K1J-221JE	1	435032214R1	
R7097	C-CARBON R	RN72K1J-470JE	1	435034704R1	
R7098	C-CARBON R	RN72K1J-470JE	1	435034704R1	
R7099	C-CARBON R	RN72K1J-221JE	1	435032214R1	
R7100	C-CARBON R	RN72K1J-221JE	1	435032214R1	
R7101	C-CARBON R	RN72K1J-221JE	1	435032214R1	
R7102	C-CARBON R	RN72K1J-221JE	1	435032214R1	
R7103	C-CARBON R	RN72K1J-221JE	1	435032214R1	
R7104	C-CARBON R	RN72K1J-221JE	1	435032214R1	
R7105	C-CARBON R	RN72K1J-470JE	1	435034704R1	
R7106	C-CARBON R	RN72K1J-470JE	1	435034704R1	
R7107	C-CARBON R	RN72K1J-221JE	1	435032214R1	
R7108	C-CARBON R	RN72K1J-470JE	1	435034704R1	
R7109	C-CARBON R	RN72K1J-221JE	1	435032214R1	
R7110	C-CARBON R	RN72K1J-333JE	1	435033334R1	
R7111	C-CARBON R	RN72K1J-563JE	1	435035634R1	
R7112	C-CARBON R	RN72K1J-333JE	1	435033334R1	
R7113	C-CARBON R	RN72K1J-333JE	1	435033334R1	<DD>
R7113	C-CARBON R	RN72K1J-103JE	1	435031034R1	<MA>
R7119	C-CARBON R	RN72K1J-102JE	1	435031024R1	
R7120	C-CARBON R	RN72K1J-102JE	1	435031024R1	
R7121	C-CARBON R	RN72K1J-470JE	1	435034704R1	
R7122	C-CARBON R	RN72K1J-470JE	1	435034704R1	
R7123	C-CARBON R	RN72K1J-470JE	1	435034704R1	
R7124	C-CARBON R	RN72K1J-221JE	1	435032214R1	
R7125	C-CARBON R	RN72K1J-470JE	1	435034704R1	
R7126	C-CARBON R	RN72K1J-470JE	1	435034704R1	
R7127	C-CARBON R	RN72K1J-221JE	1	435032214R1	
R7128	C-CARBON R	RN72K1J-221JE	1	435032214R1	
R7129	C-CARBON R	RN72K1J-470JE	1	435034704R1	
R7131	C-CARBON R	RN72K1J-470JE	1	435034704R1	
R7133	C-CARBON R	RN72K1J-472JE	1	435034724R1	
R7134	C-CARBON R	RN72K1J-472JE	1	435034724R1	
R7135	C-CARBON R	RN72K1J-472JE	1	435034724R1	
R7136	C-CARBON R	RN72K1J-472JE	1	435034724R1	
R7137	C-CARBON R	RN72K1J-221JE	1	435032214R1	
R7138	C-CARBON R	RN72K1J-470JE	1	435034704R1	
R7139	C-CARBON R	RN72K1J-470JE	1	435034704R1	

R7141	C-CARBON R	RN72K1J-470JE	1	435034704R1	
R7144	C-CARBON R	RN72K1J-221JE	1	435032214R1	
R7151	C-CARBON R	RN72K1J-470JE	1	435034704R1	
R7152	C-CARBON R	RN72K1J-470JE	1	435034704R1	
R7153	C-CARBON R	RN72K1J-470JE	1	435034704R1	
R7154	C-CARBON R	RN72K1J-470JE	1	435034704R1	
R7155	C-CARBON R	RN72K1J-470JE	1	435034704R1	
R7156	C-CARBON R	RN72K1J-470JE	1	435034704R1	
R7157	C-CARBON R	RN72K1J-470JE	1	435034704R1	
R7158	C-CARBON R	RN72K1J-470JE	1	435034704R1	
R7161	C-CARBON R	RN72K1J-470JE	1	435034704R1	
R7162	C-CARBON R	RN72K1J-470JE	1	435034704R1	
R7163	C-CARBON R	RN72K1J-470JE	1	435034704R1	
R7164	C-CARBON R	RN72K1J-470JE	1	435034704R1	
R7167	C-CARBON R	RN72K1J-470JE	1	435034704R1	
R7171	C-CARBON R	RN72K1J-470JE	1	435034704R1	
R7172	C-CARBON R	RN72K1J-470JE	1	435034704R1	
R7173	C-CARBON R	RN72K1J-470JE	1	435034704R1	
R7174	C-CARBON R	RN72K1J-470JE	1	435034704R1	
R7175	C-CARBON R	RN72K1J-470JE	1	435034704R1	
R7176	C-CARBON R	RN72K1J-470JE	1	435034704R1	
R7177	C-CARBON R	RN72K1J-470JE	1	435034704R1	
R7178	C-CARBON R	RN72K1J-470JE	1	435034704R1	
R7181	C-CARBON R	RN72K1J-104JE	1	435031044R1	
R7182	C-CARBON R	RN72K1J-104JE	1	435031044R1	
R7183	C-CARBON R	RN72K1J-104JE	1	435031044R1	
R7184	C-CARBON R	RN72K1J-104JE	1	435031044R1	
R7185	C-CARBON R	RN72K1J-104JE	1	435031044R1	
R7186	C-CARBON R	RN72K1J-104JE	1	435031044R1	
R7187	C-CARBON R	RN72K1J-104JE	1	435031044R1	
R7188	C-CARBON R	RN72K1J-104JE	1	435031044R1	
R7189	C-CARBON R	RN72K1J-221JE	1	435032214R1	
R7190	C-CARBON R	RN72K1J-221JE	1	435032214R1	
R7191	C-CARBON R	RN72K1J-221JE	1	435032214R1	
R7192	C-CARBON R	RN72K1J-104JE	1	435031044R1	
R7193	C-CARBON R	RN72K1J-104JE	1	435031044R1	
R7194	C-CARBON R	RN72K1J-104JE	1	435031044R1	
R7195	C-CARBON R	RN72K1J-104JE	1	435031044R1	
R7196	C-CARBON R	RN72K1J-104JE	1	435031044R1	
R7197	C-CARBON R	RN72K1J-104JE	1	435031044R1	
R7198	C-CARBON R	RN72K1J-561JE	1	435035614R1	
R7201	METAL R	RNU1/2WCJ-2.2	1	453530224T	
R7202	C-CARBON R	RN72K1J-102JE	1	435031024R1	
R7203	C-CARBON R	RN72K1J-392JE	1	435033924R1	
R7204	C-CARBON R	RN72K1J-272JE	1	435032724R1	
R7205	C-CARBON R	RN72K1J-472JE	1	435034724R1	
R7210	C-CARBON R	RN72K1J-563JE	1	435035634R1	
R7211	C-CARBON R	RN72K1J-333JE	1	435033334R1	
R7212	C-CARBON R	RN72K1J-103JE	1	435031034R1	
R7213	C-CARBON R	RN72K1J-103JE	1	435031034R1	<DD>

R7221	METAL R	RNU1/2WCJ-2.2	1	453530224T	
R7222	C-CARBON R	RN72K1J-102JE	1	435031024R1	
R7223	C-CARBON R	RN72K1J-392JE	1	435033924R1	
R7224	C-CARBON R	RN72K1J-272JE	1	435032724R1	
R7225	C-CARBON R	RN72K1J-472JE	1	435034724R1	
R7230	C-CARBON R	RN72K1J-000JE	1	435030004R1	<DD>
R7231	METAL R	RNU1/2WCJ-0.22	1	453532294T	
R7232	C-CARBON R	RN72K1J-102JE	1	435031024R1	
R7233	C-CARBON R	RN72K1J-392JE	1	435033924R1	
R7234	C-CARBON R	RN72K1J-563JE	1	435035634R1	
R7235	C-CARBON R	RN72K1J-562JE	1	435035624R1	
R7236	C-CARBON R	RN72K1J-273JE	1	435032734R1	<DD>
R7237	C-CARBON R	RN72K1J-334JE	1	435033344R1	<DD>
R7238	C-CARBON R	RN72K1J-334JE	1	435033344R1	<DD>
R7239	C-CARBON R	RN72K1J-000JE	1	435030004R1	<MA>
R7241	METAL O R	RS1/2WBJ-56	1	443525604T	
R7245	METAL R	RNU1/2WCJ-2.7	1	453530274T	
R7246	METAL R	RNU1/2WCJ-2.7	1	453530274T	
R7247	METAL R	RNU1/2WCJ-2.7	1	453530274T	
R7248	METAL R	RNU1/2WCJ-2.7	1	453530274T	
R7251	C-CARBON R	RN72K1J-103JE	1	435031034R1	
R7252	METAL O R	RS1/2WBJ-22	1	443522204T	
R7255	C-CARBON R	RN72K1J-103JE	1	435031034R1	
R7256	C-CARBON R	RN72K1J-103JE	1	435031034R1	
R7261	C-CARBON R	RN72K1J-103JE	1	435031034R1	
R7262	C-CARBON R	RN72K1J-103JE	1	435031034R1	<DD>
R7263	C-CARBON R	RN72K1J-103JE	1	435031034R1	<DD>
R7264	C-CARBON R	RN72K1J-273JE	1	435032734R1	
R7265	C-CARBON R	RN72K1J-273JE	1	435032734R1	
R7266	C-CARBON R	RN72K1J-103JE	1	435031034R1	
R7267	C-CARBON R	RN72K1J-473JE	1	435034734R1	
R7268	C-CARBON R	RN72K1J-103JE	1	435031034R1	
R7269	C-CARBON R	RN72K1J-103JE	1	435031034R1	
R7272	C-CARBON R	RN72K1J-103JE	1	435031034R1	
R7273	C-CARBON R	RN72K1J-103JE	1	435031034R1	
R7275	C-CARBON R	RN72K1J-103JE	1	435031034R1	
R7278	C-CARBON R	RN72K1J-103JE	1	435031034R1	
R7279	C-CARBON R	RN72K1J-103JE	1	435031034R1	
R7280	C-CARBON R	RN72K1J-103JE	1	435031034R1	
R7281	C-CARBON R	RN72K1J-103JE	1	435031034R1	
R7282	C-CARBON R	RN72K1J-103JE	1	435031034R1	
R7283	C-CARBON R	RN72K1J-103JE	1	435031034R1	
R7284	C-CARBON R	RN72K1J-101JE	1	435031014R1	
R7285	C-CARBON R	RN72K1J-224JE	1	435032244R1	
R7286	C-CARBON R	RN72K1J-101JE	1	435031014R1	
R7287	C-CARBON R	RN72K1J-103JE	1	435031034R1	
R7288	C-CARBON R	RN72K1J-103JE	1	435031034R1	
R7289	C-CARBON R	RN72K1J-103JE	1	435031034R1	
R7290	C-CARBON R	RN72K1J-103JE	1	435031034R1	
R7291	C-CARBON R	RN72K1J-103JE	1	435031034R1	

R7292	C-CARBON R	RN72K1J-103JE	1	435031034R1	
R7293	C-CARBON R	RN72K1J-272JE	1	435032724R1	
R7294	C-CARBON R	RN72K1J-272JE	1	435032724R1	
R7295	C-CARBON R	RN72K1J-272JE	1	435032724R1	
R7296	C-CARBON R	RN72K1J-272JE	1	435032724R1	
R7297	C-CARBON R	RN72K1J-103JE	1	435031034R1	<DD>
R7298	C-CARBON R	RN72K1J-222JE	1	435032224R1	
R7299	C-CARBON R	RN72K1J-222JE	1	435032224R1	
R7300	C-CARBON R	RN72K1J-103JE	1	435031034R1	
R7301	C-CARBON R	RN72K1J-103JE	1	435031034R1	
R7302	C-CARBON R	RN72K1J-103JE	1	435031034R1	
R7303	C-CARBON R	RN72K1J-103JE	1	435031034R1	
R7342	C-CARBON R	RN72K1J-222JE	1	435032224R1	<DD>
R7343	C-CARBON R	RN72K1J-221JE	1	435032214R1	<DD>
R7351	C-CARBON R	RN72K1J-103JE	1	435031034R1	
R7352	C-CARBON R	RN72K1J-222JE	1	435032224R1	
R7353	C-CARBON R	RN72K1J-102JE	1	435031024R1	
R7355	C-CARBON R	RN72K1J-103JE	1	435031034R1	
R7356	C-CARBON R	RN72K1J-222JE	1	435032224R1	
R7357	C-CARBON R	RN72K1J-102JE	1	435031024R1	
R7361	C-CARBON R	RN72K1J-103JE	1	435031034R1	
R7362	C-CARBON R	RN72K1J-222JE	1	435032224R1	
R7363	C-CARBON R	RN72K1J-102JE	1	435031024R1	
R7365	C-CARBON R	RN72K1J-103JE	1	435031034R1	
R7366	C-CARBON R	RN72K1J-222JE	1	435032224R1	
R7367	C-CARBON R	RN72K1J-102JE	1	435031024R1	
R7368	C-CARBON R	RN72K1J-222JE	1	435032224R1	
R7369	C-CARBON R	RN72K1J-102JE	1	435031024R1	
R7371	C-CARBON R	RN72K1J-470JE	1	435034704R1	
R7391	C-CARBON R	RN72K1J-103JE	1	435031034R1	
R7392	C-CARBON R	RN72K1J-103JE	1	435031034R1	
R7401	C-CARBON R	RN72K1J-220JE	1	435032204R1	
R7402	C-CARBON R	RN72K1J-220JE	1	435032204R1	
R7403	C-CARBON R	RN72K1J-000JE	1	435030004R1	
R7404	C-CARBON R	RN72K1J-273JE	1	435032734R1	
R7407	C-CARBON R	RN72K1J-000JE	1	435030004R1	<DD>
R7408	C-CARBON R	RN72K1J-000JE	1	435030004R1	<DD>
R7411	C-CARBON R	RN72K1J-000JE	1	435030004R1	<MA>
R7412	C-CARBON R	RN72K1J-000JE	1	435030004R1	<DD>
R7413	C-CARBON R	RN72K1J-000JE	1	435030004R1	
R7414	C-CARBON R	RN72K1J-000JE	1	435030004R1	
R7415	C-CARBON R	RN72K1J-222JE	1	435032224R1	<MA>
R7416	C-CARBON R	RN72K1J-222JE	1	435032224R1	<MA>
R7417	C-CARBON R	RN72K1J-392JE	1	435033924R1	<MA>
R7418	C-CARBON R	RN72K1J-392JE	1	435033924R1	<MA>
R7422	C-CARBON R	RN72K1J-000JE	1	435030004R1	
R7425	C-CARBON R	RN72K1J-000JE	1	435030004R1	<MA>
R7428	C-CARBON R	RN72K1J-000JE	1	435030004R1	
R7429	C-CARBON R	RN72K1J-000JE	1	435030004R1	
E101	TRM(SCREW)	NEJITANSI M3	1	25065425	<DD>

E102	TRM(SCREW)	NEJITANSI M3	1	25065425	<DD>
JL9501A	SOCKET	NSCT-6P111	1	25050283	
P1001	SOCKET	J0026D21NL	1	25053250	
P1010	PLUG	IMSA-9201B-1-06Z388-	1	25056614	
P1011	TRM(SCREW)	NEJITANSI M3	1	25065425	
P1012	TRM(SCREW)	NEJITANSI M3	1	25065425	
P101B	SOCKET	NSCT-13P2106	1	25052209	
P101Bor	SOCKET	NSCT-13P1607	(1)	25051820	
P102A	SOCKET	NSCT-18P2148	1	25052251	<DD>
P102Aor	SOCKET	NSCT-18P1649	(1)	25051862	<DD>
P102B	SOCKET	NSCT-18P2111	1	25052214	<DD>
P102Bor	SOCKET	NSCT-18P1612	(1)	25051825	<DD>
P121	SOCKET	YKF51-5397N	1	25053201	<DD>
P122	SOCKET	CAM-C16	1	25053104R2	<DD>
P122A	RETAINER	(XM)	1	27142048	<DD>
P2010B	SOCKET	IMSA-9142S-24A	1	25053234	
P205A	SOCKET	NSCT-9P2206	1	25052309	
P205Aor	SOCKET	NSCT-9P2400	(1)	25052503	
P205B	SOCKET	NSCT-9P2206	1	25052309	
P205Bor	SOCKET	NSCT-9P2400	(1)	25052503	
P2998	TRM	NTM-1P232(M1700)	1	25060301	
P2999	TRM	NTM-1P232(M1700)	1	25060301	
P3001	PIN JACK	NPJ-3PDO657	1	25045885	
P3001 or	PIN JACK	NPJ-3PDO431	(1)	25045624	
P3002	ST JACK	MSJ-035-22	1	25045887	
P3002 or	JACK	YKB21-5130	(1)	25045387	
P3003	SOCKET	7906-09FHA	1	25053103	
P3101A	PLUG	IMSA-9142B-24A	1	25056602	
P3102A	PLUG	IMSA-9142B-14A	1	25056597	
P3103A	PLUG	IMSA-9142B-16A	1	25056598	
P3801A	PLUG	IMSA-9855B-30D-T	1	25056604	
P3802A	PLUG	IMSA-9855B-30D-T	1	25056604	
P4020B	SOCKET	IMSA-9142S-26A	1	25053235	
P4021B	SOCKET	IMSA-9142S-26A	1	25053235	
P4032B	SOCKET	NSCT-8P1023	1	25051233	
P4033B	SOCKET	NSCT-13P1028	1	25051238	
P4110	SOCKET	9210B-1-10Z140-PT1	1	25053247	
P4111	SOCKET	9210B-1-09Z140-PT1	1	25053249	
P6851A	PLUG	IMSA-9142B-20A	1	25056600	
P6852A	PLUG	IMSA-9142B-20A	1	25056600	
P6853A	PLUG	IMSA-9142B-20A	1	25056600	
P7001	SOCKET	NSCT-9P2427	1	25052530	
P7002	TRM(SCREW)	NEJITANSI M3	1	25065425	
P7501A	SOCKET	NSCT-40P2170	1	25052273	
P8002A	PLUG	NPLG-15P667	1	25055711	

U17 DISPLAY PC BOARD (NADIS-9096-1F/1G

U18 SWITCH PC BOARD (NADIS-9097-1F/1G

U19 HEADPHONE PC BOARD (NADIS-9098-1F/1G

U20 POWER SUPPLY PC BOARD (NADIS-9099-1F/1G

U21	OPT PC BOARD (NADIS-9100-1F/1G
U22	VOLUME PC BOARD (NADIS-9101-1F/1G
U24	HOLDER PC BOARD (NADIS-9103-1F/1G

REF. NO.	PART NAME	DESCRIPTION	Q'TY	PART NO. (SN)	REMARKS
U7520	PHT CP	TORX177L	1	24120127	
U7560	REMO SENS	NJL34H380A	1	241365	
Q7500	FL TUBE	HNA-16SL04T	1	212266	
Q7500A	HOLDER	(FL)	1	27191303	
Q7501	IC	M66005-0001AHP	1	22242208R3	
Q7502	IC	M66005-0001AHP	1	22242208R3	
Q7503	TR	2SC2712-GR	1	2213145R2	
Q7503 or	TR	2SC2712-Y(TE85L_F)	(1)	2213144R2	
Q7504	TR	2SC2712-GR	1	2213145R2	
Q7504 or	TR	2SC2712-Y(TE85L_F)	(1)	2213144R2	
Q7520	IC	NE5532APSR	1	22242283R2	
Q7530	IC	NJM4580M-D	1	22241448R2	
Q7532	TR	RN1441	1	2215410R2	
Q7533	TR	RN2403	1	2214540R2	
Q7533 or	TR	DTA124EKA	(1)	2216240R2	
Q7533 or	TR	KRA103S	(1)	2216230R2	
Q7592	TR	DTC123JKA	1	2216690R2	
Q7593	TR	DTC123JKA	1	2216690R2	
Q7594	TR	DTC123JKA	1	2216690R2	<MA>
Q7611	IC	TC74VHC08F(EL_F)	1	22241029R2	
Q7611	IC	TC74VHC08F(EL_K_F)	(1)	22242492R2	
Q9301	TR	2SC2235-Y(TPE6_F)	1	2211654T	
Q9301 or	TR	2SC2235-O(TPE6_F)	(1)	2211653T	
D7500	ZENER D	UDZS10B	1	224551000R2	
D7520	C-DIODE	ISS355	1	223269R2	
D7521	C-DIODE	ISS355	1	223269R2	
D7522	C-DIODE	ISS355	1	223269R2	
D7523	C-DIODE	ISS355	1	223269R2	
D7530	ZENER D	UDZS5.1B	1	224550510R2	
D7531	C-DIODE	ISS355	1	223269R2	
D7532	C-DIODE	ISS355	1	223269R2	
D7560	C-DIODE	ISS355	1	223269R2	
D7561	C-DIODE	ISS355	1	223269R2	
D7570	SPCF D	SIR-34ST3F	1	225456	
D7571	SPCF D	SIR-34ST3F	1	225456	
D7580	C-DIODE	ISS355	1	223269R2	
D7581	C-DIODE	ISS355	1	223269R2	
D7582	C-DIODE	ISS355	1	223269R2	
D7583	C-DIODE	ISS355	1	223269R2	
D7592	LED	SLR-342MGTE7P	1	225455T	
D7592 or	LED	SEL4410G	(1)	225454T	
D7592 or	LED	SEL4310G-D	(1)	225292DT	
D7593	LED	SLR-342MGTE7P	1	225455T	
D7593 or	LED	SEL4410G	(1)	225454T	
D7593 or	LED	SEL4310G-D	(1)	225292DT	

D7594	LED	SLI-343URC-TE7	1	225449T	<DD>
D7594	LED	SEL4910D-D	1	225291DT	<MA>
D7595	LED	SLI-343URC-TE7	1	225449T	<MA>
D9303	DIODE	D10XB60H	1	22380337F	
D9306	ZENER D	MTZJ22B	1	224472202T	
D9307	DIODE	ISS133	1	223163T	
D9308	DIODE	ISS133	1	223163T	
D9310	ZENER D	MTZJ24B	1	224472402T	
D9311	ZENER D	MTZJ5.1B	1	224470512T	
D9312	DIODE	RL1N4003	1	22380260T	
D9312 or	DIODE	GP104003E	(1)	22380035T	
D9313	DIODE	RL1N4003	1	22380260T	
D9313 or	DIODE	GP104003E	(1)	22380035T	
D9314	DIODE	RL1N4003	1	22380260T	
D9314 or	DIODE	GP104003E	(1)	22380035T	
D9315	DIODE	RL1N4003	1	22380260T	
D9315 or	DIODE	GP104003E	(1)	22380035T	
L7520	CHOKE COIL	NCH-1561 022K	1	233526K022T	
L7530	CHOKE COIL	NCH-1561 022K	1	233526K022T	
L7580	CHOKE COIL	NCH-1561 022K	1	233526K022T	
L7581	CHOKE COIL	NCH-1561 022K	1	233526K022T	
L7582	CHOKE COIL	NCH-1561 022K	1	233526K022T	
C7501	C-CERA C	CK725B1H-223K1	1	332102235R1	
C7502	C-CERA C	CK725F1E-104Z1	1	332161040R1	
C7503	C-CERA C	CK725F1E-104Z1	1	332161040R1	
C7504	C-CERA C	CK725B1H-473K1	1	332104735R1	
C7505	C-CERA C	CK725B1H-473K1	1	332104735R1	
C7506	ELECT C	CE04W50V-33M	1	355783309T	
C7511	C-CERA C	CK725F1E-104Z1	1	332161040R1	
C7513	C-CERA C	CK725F1E-104Z1	1	332161040R1	
C7514	C-CERA C	CK725F1E-104Z1	1	332161040R1	
C7515	C-CERA C	CC725CH1H-180J1	1	342101804R1	
C7518	C-CERA C	CK725F1E-104Z1	1	332161040R1	
C7519	C-CERA C	CK725F1E-104Z1	1	332161040R1	
C7520	C-CERA C	CK725B1H-223K1	1	332102235R1	
C7521	UTSP C	CE04W10V-100M(UTSP)	1	397531017T	
C7522	C-CERA C	CC725CH1H-221J1	1	342102214R1	
C7523	C-CERA C	CC725CH1H-221J1	1	342102214R1	
C7524	C-CERA C	CK725B1H-102K1	1	332101025R1	
C7530	C-CERA C	CK725B1H-102K1	1	332101025R1	
C7531	C-CERA C	CK725B1H-102K1	1	332101025R1	
C7533	ELECT C	CE04W35V-47M	1	355764709T	
C7534	ELECT C	CE04W35V-47M	1	355764709T	
C7535	ELECT C	CE04W35V-10M(S)	1	353761009T	
C7536	C-CERA C	CC725CH1H-101J1	1	342101014R1	
C7537	C-CERA C	CC725CH1H-330J1	1	342103304R1	
C7538	ELECT C	CE04W35V-10M(S)	1	353761009T	
C7539	ELECT C	CE04W35V-10M(S)	1	353761009T	
C7540	ELECT C	CE04W35V-10M(S)	1	353761009T	
C7543	C-CERA C	CK725B1H-102K1	1	332101025R1	

C7560	ELECT C	CE04W6.3V-220M	1	355722219T
C7561	C-CERA C	CK725B1H-102K1	1	332101025R1
C7562	C-CERA C	CK725B1H-102K1	1	332101025R1
C7580	C-CERA C	CK725B1H-102K1	1	332101025R1
C7581	C-CERA C	CK725B1H-102K1	1	332101025R1
C7582	C-CERA C	CK725B1H-102K1	1	332101025R1
C7583	C-CERA C	CK725B1H-102K1	1	332101025R1
C7590	C-CERA C	CK725B1H-103K1	1	332101035R1
C7591	C-CERA C	CK725B1H-103K1	1	332101035R1
C7900	C-CERA C	CK725F1E-104Z1	1	332161040R1
C9302	VR C	CE04W16V-10000M(VR)	1	394641037S
C9304	VR C	CE04W63V-470M(VR)	1	394674717S
C9305	VR C	CE04W63V-47M(VR)	1	394674707T
C9306	TF C	ECQ-B50V-223J	1	374722234T
C9307	TF C	ECQ-V50V-334J	1	374723344T
C9308	VR C	CE04W50V-4.7M(VR)	1	394680477T
R7500	C-CARBON R	RN72K1J-221JE	1	435032214R1
R7501	C-CARBON R	RN72K1J-221JE	1	435032214R1
R7502	C-CARBON R	RN72K1J-273JE	1	435032734R1
R7503	C-CARBON R	RN72K1J-222JE	1	435032224R1
R7504	C-CARBON R	RN72K1J-222JE	1	435032224R1
R7505	C-CARBON R	RN72K1J-222JE	1	435032224R1
R7506	C-CARBON R	RN72K1J-222JE	1	435032224R1
R7507	C-CARBON R	RN72K1J-222JE	1	435032224R1
R7508	C-CARBON R	RN72K1J-222JE	1	435032224R1
R7509	C-CARBON R	RN72K1J-222JE	1	435032224R1
R7510	C-CARBON R	RN72K1J-222JE	1	435032224R1
R7520	C-CARBON R	RN72K1J-221JE	1	435032214R1
R7521	C-CARBON R	RN72K1J-331JE	1	435033314R1
R7522	C-CARBON R	RN72K1J-331JE	1	435033314R1
R7523	C-CARBON R	RN72K1J-750JE	1	435037504R1
R7524	C-CARBON R	RN72K1J-750JE	1	435037504R1
R7525	C-CARBON R	RN72K1J-750JE	1	435037504R1
R7526	C-CARBON R	RN72K1J-223JE	1	435032234R1
R7527	C-CARBON R	RN72K1J-223JE	1	435032234R1
R7528	C-CARBON R	RN72K1J-224JE	1	435032244R1
R7529	C-CARBON R	RN72K1J-224JE	1	435032244R1
R7530	C-CARBON R	RN72K1J-472JE	1	435034724R1
R7531	C-CARBON R	RN72K1J-101JE	1	435031014R1
R7532	C-CARBON R	RN72K1J-331JE	1	435033314R1
R7533	C-CARBON R	RN72K1J-182JE	1	435031824R1
R7534	C-CARBON R	RN72K1J-104JE	1	435031044R1
R7535	C-CARBON R	RN72K1J-102JE	1	435031024R1
R7536	C-CARBON R	RN72K1J-333JE	1	435033334R1
R7537	C-CARBON R	RN72K1J-333JE	1	435033334R1
R7538	C-CARBON R	RN72K1J-221JE	1	435032214R1
R7539	C-CARBON R	RN72K1J-221JE	1	435032214R1
R7540	C-CARBON R	RN72K1J-473JE	1	435034734R1
R7560	C-CARBON R	RN72K1J-102JE	1	435031024R1
R7561	C-CARBON R	RN72K1J-101JE	1	435031014R1

R7580	METAL O R	RS1WBJ-33	1	443623304T	
R7581	METAL O R	RS1WBJ-33	1	443623304T	
R7590	C-CARBON R	RN72K1J-103JE	1	435031034R1	
R7591	C-CARBON R	RN72K1J-103JE	1	435031034R1	
R7592	C-CARBON R	RN72K1J-103JE	1	435031034R1	
R7593	C-CARBON R	RN72K1J-103JE	1	435031034R1	
R7596	C-CARBON R	RN72K1J-331JE	1	435033314R1	
R7597	C-CARBON R	RN72K1J-331JE	1	435033314R1	
R7598	C-CARBON R	RN72K1J-102JE	1	435031024R1	<DD>
R7598	C-CARBON R	RN72K1J-221JE	1	435032214R1	<MA>
R7599	C-CARBON R	RN72K1J-102JE	1	435031024R1	<MA>
R7611	C-CARBON R	RN72K1J-271JE	1	435032714R1	
R7612	C-CARBON R	RN72K1J-331JE	1	435033314R1	
R7613	C-CARBON R	RN72K1J-471JE	1	435034714R1	
R7614	C-CARBON R	RN72K1J-561JE	1	435035614R1	
R7615	C-CARBON R	RN72K1J-821JE	1	435038214R1	
R7616	C-CARBON R	RN72K1J-122JE	1	435031224R1	
R7617	C-CARBON R	RN72K1J-222JE	1	435032224R1	
R7618	C-CARBON R	RN72K1J-392JE	1	435033924R1	
R7621	C-CARBON R	RN72K1J-271JE	1	435032714R1	
R7622	C-CARBON R	RN72K1J-331JE	1	435033314R1	
R7623	C-CARBON R	RN72K1J-471JE	1	435034714R1	
R7624	C-CARBON R	RN72K1J-561JE	1	435035614R1	
R7625	C-CARBON R	RN72K1J-821JE	1	435038214R1	
R7626	C-CARBON R	RN72K1J-122JE	1	435031224R1	
R7627	C-CARBON R	RN72K1J-222JE	1	435032224R1	
R7628	C-CARBON R	RN72K1J-392JE	1	435033924R1	
R7629	C-CARBON R	RN72K1J-123JE	1	435031234R1	
R7631	C-CARBON R	RN72K1J-271JE	1	435032714R1	
R7632	C-CARBON R	RN72K1J-331JE	1	435033314R1	
R7633	C-CARBON R	RN72K1J-471JE	1	435034714R1	
R7634	C-CARBON R	RN72K1J-561JE	1	435035614R1	
R7635	C-CARBON R	RN72K1J-821JE	1	435038214R1	
R7636	C-CARBON R	RN72K1J-122JE	1	435031224R1	
R7637	C-CARBON R	RN72K1J-222JE	1	435032224R1	
R7638	C-CARBON R	RN72K1J-392JE	1	435033924R1	
R7639	C-CARBON R	RN72K1J-123JE	1	435031234R1	
R7641	C-CARBON R	RN72K1J-271JE	1	435032714R1	
R7642	C-CARBON R	RN72K1J-331JE	1	435033314R1	
R7643	C-CARBON R	RN72K1J-471JE	1	435034714R1	
R7644	C-CARBON R	RN72K1J-561JE	1	435035614R1	
R7645	C-CARBON R	RN72K1J-821JE	1	435038214R1	
R7646	C-CARBON R	RN72K1J-122JE	1	435031224R1	
R7647	C-CARBON R	RN72K1J-222JE	1	435032224R1	
R7648	C-CARBON R	RN72K1J-392JE	1	435033924R1	
R7649	C-CARBON R	RN72K1J-123JE	1	435031234R1	
R7939	C-CARBON R	RN72K1J-104JE	1	435031044R1	
R7954	C-CARBON R	RN72K1J-104JE	1	435031044R1	
R9304	NF CARBON R	R25J-10	1	415471004T	
R9305	CARBON R	R16J-5.6K	1	417345624T	

R9307	CARBON R	R16J-33K	1	417343334T	
R9308	METAL R	RNU1/2WCJ-1	1	453530104T	
R9309	CARBON R	R16J-10K	1	417341034T	
R9310	NF CARBON R	R25J-10	1	415471004T	
E7580	TRM	NTM-1P233(M1969)	1	25060302	
F9301A	FUSE HOL	NSCT-1P2031	1	25052133T	!
F9301B	FUSE HOL	NSCT-1P2031	1	25052133T	!
JL4103B	SOCKET	NSCT-5P97	1	25050269	
JL7560A	WIRE HOL	NSCT-3P874	1	25051087	
JL7560B	WIRE HOL	NSCT-3P874	1	25051087	
JL7590A	WIRE HOL	NSCT-10P881	1	25051094	
JL7590B	WIRE HOL	NSCT-10P881	1	25051094	
JL7591A	WIRE HOL	NSCT-4P875	1	25051088	
JL7591B	WIRE HOL	NSCT-4P875	1	25051088	
JL9303A	WIRE HOL	NSCT-4P875	1	25051088	
JL9303B	WIRE TRAP	NPLG-4P587	1	25055625	
JL9501B	SOCKET	NSCT-6P98	1	25050270	
P7501B	SOCKET	NSCT-40P2170	1	25052273	
P7522	PIN JACK	NPJ-7PDB603	1	25045823	
P7530	ST JACK	MSJ-035-05C B AG GR	1	25045880	
P7530 or	JACK	LGT1516-0100	(1)	25045487	
P7580	ST JACK	MSJ-064-05A GR	1	25045782	
P9301A	PLUG	NPLG-6P120	1	25055136	
S7590	R ENCODE	EVEHD1F3024B	1	25065695W	
S7611	PUSH SW	NPS-111-S681	1	25035718T	
S7611 or	PUSH SW	NPS-111-S677	(1)	25035714T	
S7612	PUSH SW	NPS-111-S681	1	25035718T	
S7612 or	PUSH SW	NPS-111-S677	(1)	25035714T	
S7613	PUSH SW	NPS-111-S681	1	25035718T	
S7613 or	PUSH SW	NPS-111-S677	(1)	25035714T	
S7614	PUSH SW	NPS-111-S681	1	25035718T	
S7614 or	PUSH SW	NPS-111-S677	(1)	25035714T	
S7615	PUSH SW	NPS-111-S681	1	25035718T	
S7615 or	PUSH SW	NPS-111-S677	(1)	25035714T	
S7616	PUSH SW	NPS-111-S681	1	25035718T	
S7616 or	PUSH SW	NPS-111-S677	(1)	25035714T	
S7617	PUSH SW	NPS-111-S681	1	25035718T	
S7617 or	PUSH SW	NPS-111-S677	(1)	25035714T	
S7618	PUSH SW	NPS-111-S681	1	25035718T	
S7618 or	PUSH SW	NPS-111-S677	(1)	25035714T	
S7619	PUSH SW	NPS-111-S681	1	25035718T	
S7619 or	PUSH SW	NPS-111-S677	(1)	25035714T	
S7622	PUSH SW	NPS-111-S681	1	25035718T	
S7622 or	PUSH SW	NPS-111-S677	(1)	25035714T	
S7623	PUSH SW	NPS-111-S681	1	25035718T	
S7623 or	PUSH SW	NPS-111-S677	(1)	25035714T	
S7624	PUSH SW	NPS-111-S681	1	25035718T	
S7624 or	PUSH SW	NPS-111-S677	(1)	25035714T	
S7625	PUSH SW	NPS-111-S681	1	25035718T	
S7625 or	PUSH SW	NPS-111-S677	(1)	25035714T	

S7626	PUSH SW	NPS-111-S681	1	25035718T	
S7626 or	PUSH SW	NPS-111-S677	(1)	25035714T	
S7627	PUSH SW	NPS-111-S681	1	25035718T	
S7627 or	PUSH SW	NPS-111-S677	(1)	25035714T	
S7628	PUSH SW	NPS-111-S681	1	25035718T	
S7628 or	PUSH SW	NPS-111-S677	(1)	25035714T	
S7629	PUSH SW	NPS-111-S681	1	25035718T	
S7629 or	PUSH SW	NPS-111-S677	(1)	25035714T	
S7630	PUSH SW	NPS-111-S681	1	25035718T	
S7630 or	PUSH SW	NPS-111-S677	(1)	25035714T	
S7631	PUSH SW	NPS-111-S681	1	25035718T	
S7631 or	PUSH SW	NPS-111-S677	(1)	25035714T	
S7632	PUSH SW	NPS-111-S681	1	25035718T	
S7632 or	PUSH SW	NPS-111-S677	(1)	25035714T	
S7633	PUSH SW	NPS-111-S681	1	25035718T	
S7633 or	PUSH SW	NPS-111-S677	(1)	25035714T	
S7634	PUSH SW	NPS-111-S681	1	25035718T	
S7634 or	PUSH SW	NPS-111-S677	(1)	25035714T	
S7635	PUSH SW	NPS-111-S681	1	25035718T	
S7635 or	PUSH SW	NPS-111-S677	(1)	25035714T	
S7636	PUSH SW	NPS-111-S681	1	25035718T	
S7636 or	PUSH SW	NPS-111-S677	(1)	25035714T	
S7637	PUSH SW	NPS-111-S681	1	25035718T	
S7637 or	PUSH SW	NPS-111-S677	(1)	25035714T	
S7638	PUSH SW	NPS-111-S681	1	25035718T	
S7638 or	PUSH SW	NPS-111-S677	(1)	25035714T	
S7639	PUSH SW	NPS-111-S681	1	25035718T	
S7639 or	PUSH SW	NPS-111-S677	(1)	25035714T	
S7640	PUSH SW	NPS-111-S681	1	25035718T	
S7640 or	PUSH SW	NPS-111-S677	(1)	25035714T	
S7644	PUSH SW	NPS-111-S681	1	25035718T	
S7644 or	PUSH SW	NPS-111-S677	(1)	25035714T	
S7645	PUSH SW	NPS-111-S681	1	25035718T	
S7645 or	PUSH SW	NPS-111-S677	(1)	25035714T	
S7646	PUSH SW	NPS-111-S681	1	25035718T	
S7646 or	PUSH SW	NPS-111-S677	(1)	25035714T	
S7647	PUSH SW	NPS-111-S681	1	25035718T	
S7647 or	PUSH SW	NPS-111-S677	(1)	25035714T	
S7648	PUSH SW	NPS-111-S681	1	25035718T	
S7648 or	PUSH SW	NPS-111-S677	(1)	25035714T	
S7649	PUSH SW	NPS-111-S681	1	25035718T	
S7649 or	PUSH SW	NPS-111-S677	(1)	25035714T	
S7650	PUSH SW	NPS-111-S681	1	25035718T	
S7650 or	PUSH SW	NPS-111-S677	(1)	25035714T	

U25 BALANCE TERMINAL PC BOARD (NATRM-9108-1A/1B)

REF. NO.	PART NAME	DESCRIPTION	Q'TY	PART NO. (SN)	REMARKS
Q5001	TR	2SC1815-GR	1	2211255T	
Q5002	TR	2SC3851-Y	1	2203384	

Q5002 or	TR	2SD2394-E	(1)	2202705
Q5003	TR	2SA1015-GR	1	2211455T
Q5004	IC	NJM2388F09	1	22242383
Q5005	TR	2SK365-GR	1	2212445T
Q5006	TR	2SK365-GR	1	2212445T
Q5007	TR	2SA1488-Y	1	2203394
Q5007 or	TR	2SB1565-E	(1)	2202715
Q5007A	HEAT SINK	RAD-165	1	27160500
Q5007B	SCREW	3TTB+8B(3CM)SR	2	801637
Q5009	TR	2SC1815-GR	1	2211255T
Q5010	TR	2SA1015-GR	1	2211455T
Q5011	TR	2SC3851-Y	1	2203384
Q5011 or	TR	2SD2394-E	(1)	2202705
Q5012	TR	2SA1488-Y	1	2203394
Q5012 or	TR	2SB1565-E	(1)	2202715
Q5012A	HEAT SINK	RAD-165	1	27160500
Q5012B	SCREW	3TTB+8B(3CM)SR	2	801637
Q5013	TR	2SK365-GR	1	2212445T
Q5014	TR	2SK365-GR	1	2212445T
Q5100	TR	2SD655-F	1	2211706T
Q5100 or	TR	2SD655-E	(1)	2211705T
Q5101	TR	2SD655-F	1	2211706T
Q5101 or	TR	2SD655-E	(1)	2211705T
Q5102	TR	2SD655-F	1	2211706T
Q5102 or	TR	2SD655-E	(1)	2211705T
Q5103	TR	2SD655-F	1	2211706T
Q5103 or	TR	2SD655-E	(1)	2211705T
Q5104	TR	2SD655-F	1	2211706T
Q5104 or	TR	2SD655-E	(1)	2211705T
Q5105	TR	2SD655-F	1	2211706T
Q5105 or	TR	2SD655-E	(1)	2211705T
Q5106	TR	2SD655-F	1	2211706T
Q5106 or	TR	2SD655-E	(1)	2211705T
Q5107	TR	2SD655-F	1	2211706T
Q5107 or	TR	2SD655-E	(1)	2211705T
Q5110	TR	2SD655-F	1	2211706T
Q5110 or	TR	2SD655-E	(1)	2211705T
Q5111	TR	2SD655-F	1	2211706T
Q5111 or	TR	2SD655-E	(1)	2211705T
Q5112	TR	2SD655-F	1	2211706T
Q5112 or	TR	2SD655-E	(1)	2211705T
Q5113	TR	2SD655-F	1	2211706T
Q5113 or	TR	2SD655-E	(1)	2211705T
Q5114	TR	2SD655-F	1	2211706T
Q5114 or	TR	2SD655-E	(1)	2211705T
Q5115	TR	2SD655-F	1	2211706T
Q5115 or	TR	2SD655-E	(1)	2211705T
Q5116	TR	2SD655-F	1	2211706T
Q5116 or	TR	2SD655-E	(1)	2211705T
Q5117	TR	2SD655-F	1	2211706T

Q5117 or	TR	2SD655-E	(1)	2211705T	
Q5120	TR	2SD655-F	1	2211706T	
Q5120 or	TR	2SD655-E	(1)	2211705T	
Q5121	TR	2SD655-F	1	2211706T	
Q5121 or	TR	2SD655-E	(1)	2211705T	
Q5122	TR	2SD655-F	1	2211706T	
Q5122 or	TR	2SD655-E	(1)	2211705T	
Q5123	TR	2SD655-F	1	2211706T	
Q5123 or	TR	2SD655-E	(1)	2211705T	
Q5124	TR	2SD655-F	1	2211706T	
Q5124 or	TR	2SD655-E	(1)	2211705T	
Q5125	TR	2SD655-F	1	2211706T	
Q5125 or	TR	2SD655-E	(1)	2211705T	
Q5126	TR	2SD655-F	1	2211706T	
Q5126 or	TR	2SD655-E	(1)	2211705T	
Q5127	TR	2SD655-F	1	2211706T	
Q5127 or	TR	2SD655-E	(1)	2211705T	
Q5130	TR	2SD655-F	1	2211706T	
Q5130 or	TR	2SD655-E	(1)	2211705T	
Q5131	TR	2SD655-F	1	2211706T	
Q5131 or	TR	2SD655-E	(1)	2211705T	
Q5132	TR	2SD655-F	1	2211706T	
Q5132 or	TR	2SD655-E	(1)	2211705T	
Q5133	TR	2SD655-F	1	2211706T	
Q5133 or	TR	2SD655-E	(1)	2211705T	
Q5134	TR	2SD655-F	1	2211706T	
Q5134 or	TR	2SD655-E	(1)	2211705T	
Q5135	TR	2SD655-F	1	2211706T	
Q5135 or	TR	2SD655-E	(1)	2211705T	
Q5136	TR	2SD655-F	1	2211706T	
Q5136 or	TR	2SD655-E	(1)	2211705T	
Q5137	TR	2SD655-F	1	2211706T	
Q5137 or	TR	2SD655-E	(1)	2211705T	
Q5141	TR	2SC1815-GR	1	2211255T	
Q5142	TR	2SC1815-GR	1	2211255T	
Q5160	IC	NE5532AP(TI)	1	22242274	
Q5161	IC	NE5532AP(TI)	1	22242274	
Q5162	IC	NE5532AP(TI)	1	22242274	
Q5163	IC	NE5532AP(TI)	1	22242274	
Q5164	IC	NE5532AP(TI)	1	22242274	
Q5165	IC	NE5532AP(TI)	1	22242274	
Q5166	IC	NE5532AP(TI)	1	22242274	
Q5167	IC	NE5532AP(TI)	1	22242274	
Q5600	IC	NE5532AP(TI)	1	22242274	
Q5700	IC	TC74HC4052AP	1	22242425	
Q5800	IC	NE5532AP(TI)	1	22242274	
D5000	DIODE	D3SBA20	1	22380271F	
D5004	ZENER D	MTZJ15B	1	224471502T	
D5005	ZENER D	MTZJ15B	1	224471502T	
D5006	DIODE	D3SBA20	1	22380271F	<DD>

D5011	DIODE	D10XB60H	1	22380337F	
D5013	DIODE	D3SBA20	1	22380271F	
D5017	ZENER D	MTZJ15B	1	224471502T	
D5018	ZENER D	MTZJ15B	1	224471502T	
D5101	DIODE	ISS133	1	223163T	
D5102	DIODE	ISS133	1	223163T	
D5700	ZENER D	MTZJ5.1B	1	224470512T	
D5701	ZENER D	MTZJ5.1B	1	224470512T	
C5000	TF C	ECQ-V50V-104J	1	374721044T	
C5001	ELECT C	CE69W35V-8200M	1	3504457	
C5002	UTSP C	CE04W25V-100M(UTSP)	1	397551017T	
C5003	UTSP C	CE04W25V-100M(UTSP)	1	397551017T	
C5004	UTSP C	CE04W25V-100M(UTSP)	1	397551017T	
C5005	UTSP C	CE04W25V-100M(UTSP)	1	397551017T	
C5006	ELECT C	CE69W35V-8200M	1	3504457	
C5011	VR C	CE04W16V-4700M(VR)	1	394644727S	
C5013	UTSP C	CE04W50V-1M(UTSP)	1	397580107T	<MA>
C5014	UTSP C	CE04W25V-220M(UTSP)	1	397552217T	
C5015	TF C	ECQ-V50V-104J	1	374721044T	<DD>
C5016	VR C	CE04W25V-3300M(VR)	1	394653327S	<DD>
C5017	VR C	CE04W16V-6800M(VR)	1	394646827S	<DD>
C5023	TF C	ECQ-V50V-104J	1	374721044T	
C5024	ELECT C	CE69W35V-8200M	1	3504457	
C5025	ELECT C	CE69W35V-8200M	1	3504457	
C5026	UTSP C	CE04W25V-100M(UTSP)	1	397551017T	
C5027	UTSP C	CE04W25V-100M(UTSP)	1	397551017T	
C5028	UTSP C	CE04W25V-100M(UTSP)	1	397551017T	
C5029	UTSP C	CE04W25V-100M(UTSP)	1	397551017T	
C5030	TF C	ECQ-V50V-104J	1	374721044T	
C5100	TF C	ECQ-B50V-101J	1	374721014T	
C5101	TF C	ECQ-B50V-101J	1	374721014T	
C5102	TF C	ECQ-B50V-101J	1	374721014T	
C5103	TF C	ECQ-B50V-101J	1	374721014T	
C5104	TF C	ECQ-B50V-101J	1	374721014T	
C5105	TF C	ECQ-B50V-101J	1	374721014T	
C5106	TF C	ECQ-B50V-101J	1	374721014T	
C5107	TF C	ECQ-B50V-101J	1	374721014T	
C5120	UTSP C	CE04W50V 47M(UTSP)	1	397584707T	
C5121	UTSP C	CE04W50V 47M(UTSP)	1	397584707T	
C5122	UTSP C	CE04W50V 47M(UTSP)	1	397584707T	
C5123	UTSP C	CE04W50V 47M(UTSP)	1	397584707T	
C5124	UTSP C	CE04W50V 47M(UTSP)	1	397584707T	
C5125	UTSP C	CE04W50V 47M(UTSP)	1	397584707T	
C5126	UTSP C	CE04W50V 47M(UTSP)	1	397584707T	
C5127	UTSP C	CE04W50V 47M(UTSP)	1	397584707T	
C5170	UTSP C	CE04W50V 47M(UTSP)	1	397584707T	
C5171	UTSP C	CE04W50V 47M(UTSP)	1	397584707T	
C5172	UTSP C	CE04W50V 47M(UTSP)	1	397584707T	
C5173	UTSP C	CE04W50V 47M(UTSP)	1	397584707T	
C5174	UTSP C	CE04W50V 47M(UTSP)	1	397584707T	

C5175	UTSP C	CE04W50V 47M(UTSP)	1	397584707T
C5176	UTSP C	CE04W50V 47M(UTSP)	1	397584707T
C5177	UTSP C	CE04W50V 47M(UTSP)	1	397584707T
C5190	UTSP C	CE04W50V 47M(UTSP)	1	397584707T
C5191	UTSP C	CE04W50V 47M(UTSP)	1	397584707T
C5192	UTSP C	CE04W50V 47M(UTSP)	1	397584707T
C5193	UTSP C	CE04W50V 47M(UTSP)	1	397584707T
C5194	UTSP C	CE04W50V 47M(UTSP)	1	397584707T
C5195	UTSP C	CE04W50V 47M(UTSP)	1	397584707T
C5196	UTSP C	CE04W50V 47M(UTSP)	1	397584707T
C5197	UTSP C	CE04W50V 47M(UTSP)	1	397584707T
C5200	TF C	ECQ-V50V-104J	1	374721044T
C5201	TF C	ECQ-V50V-104J	1	374721044T
C5202	TF C	ECQ-V50V-104J	1	374721044T
C5203	TF C	ECQ-V50V-104J	1	374721044T
C5204	TF C	ECQ-V50V-104J	1	374721044T
C5205	TF C	ECQ-V50V-104J	1	374721044T
C5206	TF C	ECQ-V50V-104J	1	374721044T
C5207	TF C	ECQ-V50V-104J	1	374721044T
C5210	TF C	ECQ-V50V-104J	1	374721044T
C5211	TF C	ECQ-V50V-104J	1	374721044T
C5212	TF C	ECQ-V50V-104J	1	374721044T
C5213	TF C	ECQ-V50V-104J	1	374721044T
C5214	TF C	ECQ-V50V-104J	1	374721044T
C5215	TF C	ECQ-V50V-104J	1	374721044T
C5216	TF C	ECQ-V50V-104J	1	374721044T
C5217	TF C	ECQ-V50V-104J	1	374721044T
C5220	TF C	ECQ-V50V-104J	1	374721044T
C5221	TF C	ECQ-V50V-104J	1	374721044T
C5222	TF C	ECQ-V50V-104J	1	374721044T
C5223	TF C	ECQ-V50V-104J	1	374721044T
C5224	TF C	ECQ-V50V-104J	1	374721044T
C5225	TF C	ECQ-V50V-104J	1	374721044T
C5226	TF C	ECQ-V50V-104J	1	374721044T
C5227	TF C	ECQ-V50V-104J	1	374721044T
C5230	TF C	ECQ-V50V-104J	1	374721044T
C5231	TF C	ECQ-V50V-104J	1	374721044T
C5232	TF C	ECQ-V50V-104J	1	374721044T
C5233	TF C	ECQ-V50V-104J	1	374721044T
C5234	TF C	ECQ-V50V-104J	1	374721044T
C5235	TF C	ECQ-V50V-104J	1	374721044T
C5236	TF C	ECQ-V50V-104J	1	374721044T
C5237	TF C	ECQ-V50V-104J	1	374721044T
C5250	TF C	ECQ-B50V-101K	1	374721015T
C5251	TF C	ECQ-B50V-101K	1	374721015T
C5252	TF C	ECQ-B50V-101K	1	374721015T
C5253	TF C	ECQ-B50V-101K	1	374721015T
C5254	TF C	ECQ-B50V-101K	1	374721015T
C5255	TF C	ECQ-B50V-101K	1	374721015T
C5256	TF C	ECQ-B50V-101K	1	374721015T

C5257	TF C	ECQ-B50V-101K	1	374721015T
C5260	TF C	ECQ-B50V-101K	1	374721015T
C5261	TF C	ECQ-B50V-101K	1	374721015T
C5262	TF C	ECQ-B50V-101K	1	374721015T
C5263	TF C	ECQ-B50V-101K	1	374721015T
C5264	TF C	ECQ-B50V-101K	1	374721015T
C5265	TF C	ECQ-B50V-101K	1	374721015T
C5266	TF C	ECQ-B50V-101K	1	374721015T
C5267	TF C	ECQ-B50V-101K	1	374721015T
C5270	TF C	ECQ-B50V-102J	1	374721024T
C5271	TF C	ECQ-B50V-102J	1	374721024T
C5272	TF C	ECQ-B50V-102J	1	374721024T
C5273	TF C	ECQ-B50V-102J	1	374721024T
C5274	TF C	ECQ-B50V-102J	1	374721024T
C5275	TF C	ECQ-B50V-102J	1	374721024T
C5276	TF C	ECQ-B50V-102J	1	374721024T
C5277	TF C	ECQ-B50V-102J	1	374721024T
C5281	TF C	ECQ-V50V-104J	1	374721044T
C5282	TF C	ECQ-V50V-104J	1	374721044T
C5300	UTSP C	CE04W25V-100M(UTSP)	1	397551017T
C5301	UTSP C	CE04W25V-100M(UTSP)	1	397551017T
C5302	UTSP C	CE04W25V-100M(UTSP)	1	397551017T
C5303	UTSP C	CE04W25V-100M(UTSP)	1	397551017T
C5304	UTSP C	CE04W25V-100M(UTSP)	1	397551017T
C5305	UTSP C	CE04W25V-100M(UTSP)	1	397551017T
C5306	UTSP C	CE04W25V-100M(UTSP)	1	397551017T
C5307	UTSP C	CE04W25V-100M(UTSP)	1	397551017T
C5310	UTSP C	CE04W25V-100M(UTSP)	1	397551017T
C5311	UTSP C	CE04W25V-100M(UTSP)	1	397551017T
C5312	UTSP C	CE04W25V-100M(UTSP)	1	397551017T
C5313	UTSP C	CE04W25V-100M(UTSP)	1	397551017T
C5314	UTSP C	CE04W25V-100M(UTSP)	1	397551017T
C5315	UTSP C	CE04W25V-100M(UTSP)	1	397551017T
C5316	UTSP C	CE04W25V-100M(UTSP)	1	397551017T
C5317	UTSP C	CE04W25V-100M(UTSP)	1	397551017T
C5600	TF C	ECQ-B50V-102J	1	374721024T
C5601	TF C	ECQ-B50V-102J	1	374721024T
C5610	UTSP C	CE04W50V 47M(UTSP)	1	397584707T
C5611	UTSP C	CE04W50V 47M(UTSP)	1	397584707T
C5620	UTSP C	CE04W50V 47M(UTSP)	1	397584707T
C5621	UTSP C	CE04W50V 47M(UTSP)	1	397584707T
C5630	UTSP C	CE04W25V-100M(UTSP)	1	397551017T
C5631	UTSP C	CE04W25V-100M(UTSP)	1	397551017T
C5640	UTSP C	CE04W50V 47M(UTSP)	1	397584707T
C5641	UTSP C	CE04W50V 47M(UTSP)	1	397584707T
C5700	UTSP C	CE04W25V-100M(UTSP)	1	397551017T
C5701	UTSP C	CE04W25V-100M(UTSP)	1	397551017T
C5800	UTSP C	CE04W50V 47M(UTSP)	1	397584707T
C5801	UTSP C	CE04W50V 47M(UTSP)	1	397584707T
C5802	UTSP C	CE04W25V-100M(UTSP)	1	397551017T

C5803	UTSP C	CE04W25V-100M(UTSP)	1	397551017T	
R5000	METAL R	RNU1/2WCJ-0.22	1	453532294T	
R5002	CARBON R	R16J-330	1	417343314T	
R5003	METAL R	RNU1/2WCJ-0.22	1	453532294T	
R5005	CARBON R	R16J-330	1	417343314T	
R5011	METAL R	RNU1/2WCJ-1	1	453530104T	<DD>
R5012	METAL R	RNU1WCJ-1.5	1	453630154T	<DD>
R5017	METAL R	RNU1/2WCJ-0.22	1	453532294T	
R5019	CARBON R	R16J-330	1	417343314T	
R5020	METAL R	RNU1/2WCJ-0.22	1	453532294T	
R5022	CARBON R	R16J-330	1	417343314T	
R5025	METAL R	RNU1WCJ-1.5	1	453630154T	<DD>
R5027	METAL R	RNU1/2WCJ-0.22	1	453532294T	
R5028	METAL R	RNU1/2WCJ-0.22	1	453532294T	
R5030	METAL R	RNU1/2WCJ-0.22	1	453532294T	
R5031	METAL R	RNU1/2WCJ-0.39	1	453533994T	<DD>
R5032	METAL R	RNU1/2WCJ-0.39	1	453533994T	<DD>
R5100	CARBON R	R16J-27	1	417342704T	
R5101	CARBON R	R16J-27	1	417342704T	
R5102	CARBON R	R16J-27	1	417342704T	
R5103	CARBON R	R16J-27	1	417342704T	
R5104	CARBON R	R16J-27	1	417342704T	
R5105	CARBON R	R16J-27	1	417342704T	
R5106	CARBON R	R16J-27	1	417342704T	
R5107	CARBON R	R16J-27	1	417342704T	
R5110	CARBON R	R16J-100K	1	417341044T	
R5111	CARBON R	R16J-100K	1	417341044T	
R5112	CARBON R	R16J-100K	1	417341044T	
R5113	CARBON R	R16J-100K	1	417341044T	
R5114	CARBON R	R16J-100K	1	417341044T	
R5115	CARBON R	R16J-100K	1	417341044T	
R5116	CARBON R	R16J-100K	1	417341044T	
R5117	CARBON R	R16J-100K	1	417341044T	
R5120	CARBON R	R16J-10K	1	417341034T	
R5121	CARBON R	R16J-10K	1	417341034T	
R5122	CARBON R	R16J-10K	1	417341034T	
R5123	CARBON R	R16J-10K	1	417341034T	
R5124	CARBON R	R16J-10K	1	417341034T	
R5125	CARBON R	R16J-10K	1	417341034T	
R5126	CARBON R	R16J-10K	1	417341034T	
R5127	CARBON R	R16J-10K	1	417341034T	
R5130	CARBON R	R16J-10K	1	417341034T	
R5131	CARBON R	R16J-10K	1	417341034T	
R5132	CARBON R	R16J-10K	1	417341034T	
R5133	CARBON R	R16J-10K	1	417341034T	
R5134	CARBON R	R16J-10K	1	417341034T	
R5135	CARBON R	R16J-10K	1	417341034T	
R5136	CARBON R	R16J-10K	1	417341034T	
R5137	CARBON R	R16J-10K	1	417341034T	
R5140	CARBON R	R16J-270	1	417342714T	

R5141	CARBON R	R16J-270	1	417342714T
R5142	CARBON R	R16J-270	1	417342714T
R5143	CARBON R	R16J-270	1	417342714T
R5144	CARBON R	R16J-270	1	417342714T
R5145	CARBON R	R16J-270	1	417342714T
R5146	CARBON R	R16J-270	1	417342714T
R5147	CARBON R	R16J-270	1	417342714T
R5150	CARBON R	R16J-270	1	417342714T
R5151	CARBON R	R16J-270	1	417342714T
R5152	CARBON R	R16J-270	1	417342714T
R5153	CARBON R	R16J-270	1	417342714T
R5154	CARBON R	R16J-270	1	417342714T
R5155	CARBON R	R16J-270	1	417342714T
R5156	CARBON R	R16J-270	1	417342714T
R5157	CARBON R	R16J-270	1	417342714T
R5160	CARBON R	R16J-100	1	417341014T
R5161	CARBON R	R16J-100	1	417341014T
R5162	CARBON R	R16J-100	1	417341014T
R5163	CARBON R	R16J-100	1	417341014T
R5164	CARBON R	R16J-100	1	417341014T
R5165	CARBON R	R16J-100	1	417341014T
R5166	CARBON R	R16J-100	1	417341014T
R5167	CARBON R	R16J-100	1	417341014T
R5170	CARBON R	R16J-100	1	417341014T
R5171	CARBON R	R16J-100	1	417341014T
R5172	CARBON R	R16J-100	1	417341014T
R5173	CARBON R	R16J-100	1	417341014T
R5174	CARBON R	R16J-100	1	417341014T
R5175	CARBON R	R16J-100	1	417341014T
R5176	CARBON R	R16J-100	1	417341014T
R5177	CARBON R	R16J-100	1	417341014T
R5180	CARBON R	R16J-2.2K	1	417342224T
R5181	CARBON R	R16J-2.2K	1	417342224T
R5182	CARBON R	R16J-2.2K	1	417342224T
R5183	CARBON R	R16J-2.2K	1	417342224T
R5184	CARBON R	R16J-2.2K	1	417342224T
R5185	CARBON R	R16J-2.2K	1	417342224T
R5186	CARBON R	R16J-2.2K	1	417342224T
R5187	CARBON R	R16J-2.2K	1	417342224T
R5190	CARBON R	R16J-2.2K	1	417342224T
R5191	CARBON R	R16J-2.2K	1	417342224T
R5192	CARBON R	R16J-2.2K	1	417342224T
R5193	CARBON R	R16J-2.2K	1	417342224T
R5194	CARBON R	R16J-2.2K	1	417342224T
R5195	CARBON R	R16J-2.2K	1	417342224T
R5196	CARBON R	R16J-2.2K	1	417342224T
R5197	CARBON R	R16J-2.2K	1	417342224T
R5200	CARBON R	R16J-2.2K	1	417342224T
R5201	CARBON R	R16J-2.2K	1	417342224T
R5202	CARBON R	R16J-2.2K	1	417342224T

R5203	CARBON R	R16J-2.2K	1	417342224T
R5204	CARBON R	R16J-2.2K	1	417342224T
R5205	CARBON R	R16J-2.2K	1	417342224T
R5206	CARBON R	R16J-2.2K	1	417342224T
R5207	CARBON R	R16J-2.2K	1	417342224T
R5210	CARBON R	R16J-2.2K	1	417342224T
R5211	CARBON R	R16J-2.2K	1	417342224T
R5212	CARBON R	R16J-2.2K	1	417342224T
R5213	CARBON R	R16J-2.2K	1	417342224T
R5214	CARBON R	R16J-2.2K	1	417342224T
R5215	CARBON R	R16J-2.2K	1	417342224T
R5216	CARBON R	R16J-2.2K	1	417342224T
R5217	CARBON R	R16J-2.2K	1	417342224T
R5230	CARBON R	R16J-220K	1	417342244T
R5231	CARBON R	R16J-220K	1	417342244T
R5232	CARBON R	R16J-220K	1	417342244T
R5233	CARBON R	R16J-220K	1	417342244T
R5234	CARBON R	R16J-220K	1	417342244T
R5235	CARBON R	R16J-220K	1	417342244T
R5236	CARBON R	R16J-220K	1	417342244T
R5237	CARBON R	R16J-220K	1	417342244T
R5240	CARBON R	R16J-220K	1	417342244T
R5241	CARBON R	R16J-220K	1	417342244T
R5242	CARBON R	R16J-220K	1	417342244T
R5243	CARBON R	R16J-220K	1	417342244T
R5244	CARBON R	R16J-220K	1	417342244T
R5245	CARBON R	R16J-220K	1	417342244T
R5246	CARBON R	R16J-220K	1	417342244T
R5247	CARBON R	R16J-220K	1	417342244T
R5250	CARBON R	R16J-100	1	417341014T
R5251	CARBON R	R16J-100	1	417341014T
R5252	CARBON R	R16J-100	1	417341014T
R5253	CARBON R	R16J-100	1	417341014T
R5254	CARBON R	R16J-100	1	417341014T
R5255	CARBON R	R16J-100	1	417341014T
R5256	CARBON R	R16J-100	1	417341014T
R5257	CARBON R	R16J-100	1	417341014T
R5260	CARBON R	R16J-100	1	417341014T
R5261	CARBON R	R16J-100	1	417341014T
R5262	CARBON R	R16J-100	1	417341014T
R5263	CARBON R	R16J-100	1	417341014T
R5264	CARBON R	R16J-100	1	417341014T
R5265	CARBON R	R16J-100	1	417341014T
R5266	CARBON R	R16J-100	1	417341014T
R5267	CARBON R	R16J-100	1	417341014T
R5270	CARBON R	R16J-10K	1	417341034T
R5271	CARBON R	R16J-10K	1	417341034T
R5272	CARBON R	R16J-10K	1	417341034T
R5273	CARBON R	R16J-10K	1	417341034T
R5274	CARBON R	R16J-10K	1	417341034T

R5275	CARBON R	R16J-10K	1	417341034T
R5276	CARBON R	R16J-10K	1	417341034T
R5277	CARBON R	R16J-10K	1	417341034T
R5280	CARBON R	R16J-10K	1	417341034T
R5281	CARBON R	R16J-10K	1	417341034T
R5282	CARBON R	R16J-10K	1	417341034T
R5283	CARBON R	R16J-10K	1	417341034T
R5284	CARBON R	R16J-10K	1	417341034T
R5285	CARBON R	R16J-10K	1	417341034T
R5286	CARBON R	R16J-10K	1	417341034T
R5287	CARBON R	R16J-10K	1	417341034T
R5291	CARBON R	R16J-1K	1	417341024T
R5292	CARBON R	R16J-1K	1	417341024T
R5300	CARBON R	R16J-100	1	417341014T
R5301	CARBON R	R16J-100	1	417341014T
R5302	CARBON R	R16J-100	1	417341014T
R5303	CARBON R	R16J-100	1	417341014T
R5304	CARBON R	R16J-100	1	417341014T
R5305	CARBON R	R16J-100	1	417341014T
R5306	CARBON R	R16J-100	1	417341014T
R5307	CARBON R	R16J-100	1	417341014T
R5310	CARBON R	R16J-100	1	417341014T
R5311	CARBON R	R16J-100	1	417341014T
R5312	CARBON R	R16J-100	1	417341014T
R5313	CARBON R	R16J-100	1	417341014T
R5314	CARBON R	R16J-100	1	417341014T
R5315	CARBON R	R16J-100	1	417341014T
R5316	CARBON R	R16J-100	1	417341014T
R5317	CARBON R	R16J-100	1	417341014T
R5321	CARBON R	R16J-100K	1	417341044T
R5600	CARBON R	R16J-100	1	417341014T
R5601	CARBON R	R16J-100K	1	417341044T
R5610	CARBON R	R16J-100	1	417341014T
R5611	CARBON R	R16J-100K	1	417341044T
R5620	CARBON R	R16J-22K	1	417342234T
R5621	CARBON R	R16J-22K	1	417342234T
R5630	CARBON R	R16J-22K	1	417342234T
R5631	CARBON R	R16J-22K	1	417342234T
R5640	CARBON R	R16J-10K	1	417341034T
R5641	CARBON R	R16J-10K	1	417341034T
R5650	CARBON R	R16J-10K	1	417341034T
R5651	CARBON R	R16J-10K	1	417341034T
R5700	CARBON R	R16J-1.5K	1	417341524T
R5701	CARBON R	R16J-1.5K	1	417341524T
R5704	CARBON R	R16J-10K	1	417341034T
R5705	CARBON R	R16J-10K	1	417341034T
R5800	CARBON R	R16J-100	1	417341014T
R5801	CARBON R	R16J-100	1	417341014T
RL5100	RELAY	NRL-2P2A-DC12-178	1	25065664
RL5101	RELAY	NRL-2P2A-DC12-178	1	25065664

RL5102	RELAY	NRL-2P2A-DC12-178	1	25065664	
RL5103	RELAY	NRL-2P2A-DC12-178	1	25065664	
RL5104	RELAY	NRL-2P2A-DC12-178	1	25065664	
RL5105	RELAY	NRL-2P2A-DC12-178	1	25065664	
RL5106	RELAY	NRL-2P2A-DC12-178	1	25065664	
RL5107	RELAY	NRL-2P2A-DC12-178	1	25065664	
F5000A	FUSE HOL	NSCT-1P2031	1	25052133T	!
F5000B	FUSE HOL	NSCT-1P2031	1	25052133T	!
F5001A	FUSE HOL	NSCT-1P2031	1	25052133T	!
F5001B	FUSE HOL	NSCT-1P2031	1	25052133T	!
F5002A	FUSE HOL	NSCT-1P2031	1	25052133T	!, <DD>
F5002B	FUSE HOL	NSCT-1P2031	1	25052133T	!, <DD>
F5003A	FUSE HOL	NSCT-1P2031	1	25052133T	!, <DD>
F5003B	FUSE HOL	NSCT-1P2031	1	25052133T	!, <DD>
JL2601A	WIRE HOL	NSCT-3P874	1	25051087	
JL4014A	WIRE HOL	NSCT-6P897	1	25051110	
JL4015B	SOCKET	NSCT-4P96	1	25050268	
P3101B	SOCKET	IMSA-9142S-24A	1	25053234	
P3102B	SOCKET	IMSA-9142S-14A	1	25053229	
P3103B	SOCKET	IMSA-9142S-16A	1	25053230	
P5000A	SOCKET AS	NSAS-26P1612	1	2009991020UL	
P5001	PLUG	NPLG-8P122	1	25055138	
P5003	PLUG	NPLG-5P119	1	25055135	
P5010	RETAINER	(JOINT)	1	27142069	
P5080	RETAINER	(BUS-98)	1	27142077	
P5081	RETAINER	(BUS-98)	1	27142077	
P5082	RETAINER	(BUS-98)	1	27142077	
P5100	PLUG	NPLG-3P976	1	25056026	
P5101	PLUG	NPLG-3P976	1	25056026	
P5102	PLUG	NPLG-3P976	1	25056026	
P5103	PLUG	NPLG-3P976	1	25056026	
P5104	PLUG	NPLG-3P976	1	25056026	
P5105	PLUG	NPLG-3P976	1	25056026	
P5106	PLUG	NPLG-3P976	1	25056026	
P5107	PLUG	NPLG-3P976	1	25056026	
P5112B	PLUG	NPLG-2P116	1	25055132	
P5120A	CRIMP AS	CRIMP SR805_1	1	20799169UL	
P5600	SOCKET	NSCT-3P2649	1	25052753	
P5601	SOCKET	NSCT-3P2649	1	25052753	
P5A	SOCKET AS	NSAS-8P1692	1	200B3120820UL	<DD>
P6851B	SOCKET	IMSA-9142S-20A	1	25053232	
P6852B	SOCKET	IMSA-9142S-20A	1	25053232	
P6853B	SOCKET	IMSA-9142S-20A	1	25053232	

U26 HDMI PC BOARD (NAHDM-9114-1C)

REF. NO.	PART NAME	DESCRIPTION	Q'TY	PART NO. (SN)	REMARKS
U8001	IC	VX-50	1	22242392R3	
U8027	IC	HY5DU561622ETP-4-C	1	22242450R3	
U8028	IC	HY5DU561622ETP-4-C	1	22242450R3	

U8029	IC	HY5DU561622ETP-4-C	1	22242450R3	
U8030	IC	HY5DU561622ETP-4-C	1	22242450R3	
U8031	IC	S29GL128N10TFI020	1	222W0071R3	
U8067	IC	LP2996MX	1	22242438R2	
Q8101	IC	AD8196	1	---	NRP
Q8102	TR	2SK3019	1	2216520R2	
Q8103	TR	2SK3019	1	2216520R2	
Q8104	IC	SN74CB3T3306DCT	1	22242454R2	
Q8105	IC	S-24CS02AFT-V-G	1	22242360R2	
Q8105 or	IC	BR24L02FV-W	(1)	22242069R2	
Q8108	TR	DTA144EE	1	2216380R2	
Q8109	TR	DTC144EE	1	2216390R2	
Q8124	IC	SN74CB3T3306DCT	1	22242454R2	
Q8125	IC	S-24CS02AFT-V-G	1	22242360R2	
Q8125 or	IC	BR24L02FV-W	(1)	22242069R2	
Q8128	TR	DTA144EE	1	2216380R2	
Q8129	TR	DTC144EE	1	2216390R2	
Q8151	IC	AD8196	1	---	NRP
Q8152	TR	2SK3019	1	2216520R2	
Q8153	TR	2SK3019	1	2216520R2	
Q8154	IC	SN74CB3T3306DCT	1	22242454R2	
Q8155	IC	S-24CS02AFT-V-G	1	22242360R2	
Q8155 or	IC	BR24L02FV-W	(1)	22242069R2	
Q8158	TR	DTA144EE	1	2216380R2	
Q8159	TR	DTC144EE	1	2216390R2	
Q8174	IC	SN74CB3T3306DCT	1	22242454R2	
Q8175	IC	S-24CS02AFT-V-G	1	22242360R2	
Q8175 or	IC	BR24L02FV-W	(1)	22242069R2	
Q8178	TR	DTA144EE	1	2216380R2	
Q8179	TR	DTC144EE	1	2216390R2	
Q8305	IC	S-812C50BUC-C5ET2G	1	22242407R2	
Q8306	IC	TC7SZ08FU(TE85L_F)	1	22242071R2TO	
Q8306 or	IC	NC7SZ08P5X_F042	(1)	22242482R2	
Q8309	TR ARRAY	UM6K1N	1	226066R2	
Q8355	IC	S-812C50BUC-C5ET2G	1	22242407R2	
Q8356	IC	TC7SZ08FU(TE85L_F)	1	22242071R2TO	
Q8359	TR ARRAY	UM6K1N	1	226066R2	
Q8401	IC	SI9134CTU	1	---	NRP
Q8404	IC	XC6213B182MR	1	22242443R2	
Q8405	IC	SN74CB3Q3305PWR	1	22242258R2	
Q8451	IC	SI9134CTU	1	---	NRP
Q8454	IC	XC6213B182MR	1	22242443R2	
Q8501	IC	SI9135CTU	1	---	NRP
Q8502	IC	XC6213B332MR	1	22242277R2	
Q8595	IC	BA18BC0FP	1	22278018DR2RH	
Q8596	IC	BA18BC0FP	1	22278018DR2RH	
Q8597	IC	BA18BC0FP	1	22278018DR2RH	
Q8645	IC	BA18BC0FP	1	22278018DR2RH	
Q8701	IC	MPD70F3716GC-8EA	1	222W0054R3	
Q8800	IC	ADV7401	1	22242254R3	

Q8803	TR ARRAY	UM6K1N	1	226066R2
Q8806	IC	BA18BC0FP	1	22278018DR2RH
Q8807	IC	TC7WZU04FU(TE12L_F)	1	22242078R2TO
Q8808	IC	TC74VCX162244FT(EL_	1	2227C244DR2TO
Q8809	IC	TC74VCX162244FT(EL_	1	2227C244DR2TO
Q8810	IC	TC74VCX162244FT(EL_	1	2227C244DR2TO
Q8811	IC	TC74VCX162827	1	22242395R2
Q8812	IC	TC74VCX162827	1	22242395R2
Q8813	IC	TC74VCX162827	1	22242395R2
Q8814	IC	TC74VCX162827	1	22242395R2
Q8815	IC	TC74VCX162827	1	22242395R2
Q8816	IC	TC74VCX162827	1	22242395R2
Q8817	IC	TC74VCX162827	1	22242395R2
Q8818	IC	TC74VCX162827	1	22242395R2
Q8860	IC	MAX4018ESD	1	22241440R2
Q8861	IC	MAX4018ESD	1	22241440R2
Q8901	IC	ADV7320	1	22242398R3
Q8902	IC	NJM2391DL1-25	1	22278025DR2JR
Q8931	IC	NJU7313AM	1	22242211R2
Q8937	IC	LA7106M-TLM-E	1	22241465R2
Q8951	IC	SPI-8010A	1	22242437R2
Q8952	IC	SPI-8010A	1	22242437R2
Q8953	IC	SPI-8010A	1	22242437R2
Q8954	IC	SPI-8010A	1	22242437R2
Q8956	TR	DTC144EE	1	2216390R2
Q8957	TR	DTC144EE	1	2216390R2
Q8958	TR	DTC144EE	1	2216390R2
Q8959	TR	DTC144EE	1	2216390R2
Q8963	TR	DTC144EE	1	2216390R2
D8301	C-DIODE	ISS226(TE85L_F)	1	223266R2
D8302	C-DIODE	ISS352	1	223234R2
D8302 or	C-DIODE	ISS355	(1)	223269R2
D8303	C-DIODE	ISS352	1	223234R2
D8303 or	C-DIODE	ISS355	(1)	223269R2
D8351	C-DIODE	ISS226(TE85L_F)	1	223266R2
D8352	C-DIODE	ISS352	1	223234R2
D8352 or	C-DIODE	ISS355	(1)	223269R2
D8353	C-DIODE	ISS352	1	223234R2
D8353 or	C-DIODE	ISS355	(1)	223269R2
D8701	C-DIODE	ISS352	1	223234R2
D8701 or	C-DIODE	ISS355	(1)	223269R2
D8951	DIODE	RSX501L-20	1	22380359R2
D8952	DIODE	RSX501L-20	1	22380359R2
D8953	DIODE	RSX501L-20	1	22380359R2
D8954	DIODE	RSX501L-20	1	22380359R2
L8007	EMIFIL	BK1608LM182-T	1	230958R1
L8023	CHOKO COIL	BLM21PG221SN1	1	230949R2
L8042	C-CARBON R	RN72K1J-000JE	1	435030004R1
L8101	CHOKO COIL	LBC2518T4R7M	1	231364M047R2
L8102	CHOKO COIL	LBC2518T4R7M	1	231364M047R2

L8151	CHOKE COIL	LBC2518T4R7M	1	231364M047R2
L8152	CHOKE COIL	LBC2518T4R7M	1	231364M047R2
L8400	C-R NET	MNR12E0APJ000	1	43464900002R2
L8401	CHOKE COIL	BLM21PG221SN1	1	230949R2
L8402	CHOKE COIL	BLM21PG221SN1	1	230949R2
L8403	CHOKE COIL	BLM21PG221SN1	1	230949R2
L8404	CHOKE COIL	BLM21PG221SN1	1	230949R2
L8405	CHOKE COIL	BLM21PG221SN1	1	230949R2
L8406	C-R NET	MNR12E0APJ000	1	43464900002R2
L8407	C-R NET	MNR12E0APJ000	1	43464900002R2
L8408	CHOKE COIL	BLM21PG221SN1	1	230949R2
L8409	C-R NET	MNR12E0APJ000	1	43464900002R2
L8450	C-R NET	MNR12E0APJ000	1	43464900002R2
L8451	CHOKE COIL	BLM21PG221SN1	1	230949R2
L8452	CHOKE COIL	BLM21PG221SN1	1	230949R2
L8453	CHOKE COIL	BLM21PG221SN1	1	230949R2
L8454	CHOKE COIL	BLM21PG221SN1	1	230949R2
L8455	CHOKE COIL	BLM21PG221SN1	1	230949R2
L8456	C-R NET	MNR12E0APJ000	1	43464900002R2
L8457	C-R NET	MNR12E0APJ000	1	43464900002R2
L8458	CHOKE COIL	BLM21PG221SN1	1	230949R2
L8459	C-R NET	MNR12E0APJ000	1	43464900002R2
L8501	CHOKE COIL	BLM21PG221SN1	1	230949R2
L8502	CHOKE COIL	BLM21PG221SN1	1	230949R2
L8503	CHOKE COIL	BLM21PG221SN1	1	230949R2
L8504	CHOKE COIL	BLM21PG221SN1	1	230949R2
L8510	CHOKE COIL	BLM21PG221SN1	1	230949R2
L8604	CHOKE COIL	BLM21PG221SN1	1	230949R2
L8607	CHOKE COIL	BLM21PG221SN1	1	230949R2
L8608	EMIFIL	BK1608LL241-T	1	230959R1
L8701	CHOKE COIL	LBC2518T220M	1	231364M220R2
L8801	CHOKE COIL	LBC2518T2R2M	1	231364M022R2
L8802	CHOKE COIL	LBC2518T470M	1	231364M470R2
L8803	CHOKE COIL	LBC2518T2R2M	1	231364M022R2
L8804	CHOKE COIL	LBC2518T2R2M	1	231364M022R2
L8806	CHOKE COIL	LBC2518T2R2M	1	231364M022R2
L8807	EMIFIL	BK1608HS601-T	1	230984R1
L8810	C-CARBON R	RN72K1J-000JE	1	435030004R1
L8811	C-CARBON R	RN72K1J-000JE	1	435030004R1
L8812	C-CARBON R	RN72K1J-000JE	1	435030004R1
L8813	C-CARBON R	RN72K1J-000JE	1	435030004R1
L8814	C-CARBON R	RN72K1J-220JE	1	435032204R1
L8815	C-CARBON R	RN72K1J-000JE	1	435030004R1
L8851	CHOKE COIL	MLF2012DR47J	1	231380J479R1
L8852	CHOKE COIL	MLF2012DR47J	1	231380J479R1
L8853	CHOKE COIL	MLF2012DR47J	1	231380J479R1
L8854	CHOKE COIL	MLF2012DR22J	1	231380J229R1
L8855	CHOKE COIL	MLF2012DR22J	1	231380J229R1
L8856	CHOKE COIL	MLF2012DR22J	1	231380J229R1
L8901	CHOKE COIL	LBC2518T2R2M	1	231364M022R2

L8902	CHOKE COIL	LBC2518T2R2M	1	231364M022R2
L8903	CHOKE COIL	LBC2518T2R2M	1	231364M022R2
L8951	CHOKE COIL	RCP1317NP470M	1	231375M470
L8952	CHOKE COIL	RCP1317NP470M	1	231375M470
L8953	CHOKE COIL	RCP1317NP470M	1	231375M470
L8954	CHOKE COIL	RCP1317NP470M	1	231375M470
L8955	CHOKE COIL	BLM21PG221SN1	1	230949R2
L8956	CHOKE COIL	BLM21PG221SN1	1	230949R2
L8957	CHOKE COIL	BLM21PG221SN1	1	230949R2
L8958	CHOKE COIL	BLM21PG221SN1	1	230949R2
L8959	CHOKE COIL	BLM21PG221SN1	1	230949R2
L8960	CHOKE COIL	BLM21PG221SN1	1	230949R2
L8961	CHOKE COIL	BLM21PG221SN1	1	230949R2
L8962	CHOKE COIL	BLM21PG221SN1	1	230949R2
L8963	CHOKE COIL	BLM21PG221SN1	1	230949R2
X8002	CRYSTAL	FCX-03-27MHz	1	3010353R2
X8501	CRYSTAL	FCX-03 LF28.332MHz	1	3010451R2
X8701	CERA LOCK	CSTCR5M00G53-B0	1	3010356R2
X8801	CRYSTAL	FCX-03-28.6363MHz	1	3010408R2
C8001	C-CERA C	CK725B1H-102K1	1	332101025R1
C8003	CHIP ELECT C	CEWX4V-22M	1	3981G2207R2
C8004	C-CERA C	CK725F1A-105Z1	1	332181050R1
C8005	C-CERA C	CK725B1H-102K1	1	332101025R1
C8006	C-CERA C	CK725F1A-105Z1	1	332181050R1
C8007	C-CERA C	CK725B1H-102K1	1	332101025R1
C8008	C-CERA C	CK725F1A-105Z1	1	332181050R1
C8009	C-CERA C	CK725B1H-102K1	1	332101025R1
C8010	C-CERA C	CK725F1A-105Z1	1	332181050R1
C8011	C-CERA C	CK725B1H-102K1	1	332101025R1
C8012	C-CERA C	CK725F1A-105Z1	1	332181050R1
C8013	C-CERA C	CK725B1H-102K1	1	332101025R1
C8014	C-CERA C	CK725F1A-105Z1	1	332181050R1
C8015	C-CERA C	CK725B1H-102K1	1	332101025R1
C8016	C-CERA C	CK725F1A-105Z1	1	332181050R1
C8017	C-CERA C	CK725B1H-102K1	1	332101025R1
C8018	C-CERA C	CK725F1A-105Z1	1	332181050R1
C8019	C-CERA C	CK725B1H-102K1	1	332101025R1
C8020	CHIP ELECT C	CEWX4V-22M	1	3981G2207R2
C8021	C-CERA C	CK725F1A-105Z1	1	332181050R1
C8023	C-CERA C	CK725F1A-105Z1	1	332181050R1
C8024	C-CERA C	CK725B1H-102K1	1	332101025R1
C8025	C-CERA C	CK725F1A-105Z1	1	332181050R1
C8026	C-CERA C	CK725B1H-102K1	1	332101025R1
C8027	C-CERA C	CK725F1A-105Z1	1	332181050R1
C8028	C-CERA C	CK725B1H-102K1	1	332101025R1
C8029	C-CERA C	CK725F1A-105Z1	1	332181050R1
C8030	C-CERA C	CC725CH1H-102J1	1	342101024R1
C8031	C-CERA C	CC725CH1H-102J1	1	342101024R1
C8032	C-CERA C	CK725F1A-105Z1	1	332181050R1
C8033	C-CERA C	CK725F1A-105Z1	1	332181050R1

C8034	C-CERA C	CK725F1H-104Z1	1	332151040R1
C8035	C-CERA C	CK725F1A-105Z1	1	332181050R1
C8036	CHIP ELECT C	CEWX4V-100M	1	3981G1017R2
C8037	C-CERA C	CK725F1A-105Z1	1	332181050R1
C8040	C-CERA C	CC725CH1H-102J1	1	342101024R1
C8041	C-CERA C	CC725CH1H-102J1	1	342101024R1
C8043	C-CERA C	CK725F1A-105Z1	1	332181050R1
C8044	C-CERA C	CK725F1H-104Z1	1	332151040R1
C8045	C-CERA C	CK725F1A-105Z1	1	332181050R1
C8046	CHIP ELECT C	CEWX4V-100M	1	3981G1017R2
C8047	C-CERA C	CK725F1A-105Z1	1	332181050R1
C8051	C-CERA C	CK725B1H-102K1	1	332101025R1
C8053	CHIP ELECT C	CEWX4V-22M	1	3981G2207R2
C8054	C-CERA C	CK725F1A-105Z1	1	332181050R1
C8055	C-CERA C	CK725B1H-102K1	1	332101025R1
C8056	C-CERA C	CK725F1A-105Z1	1	332181050R1
C8057	C-CERA C	CK725B1H-102K1	1	332101025R1
C8058	C-CERA C	CK725F1A-105Z1	1	332181050R1
C8059	C-CERA C	CK725B1H-102K1	1	332101025R1
C8060	C-CERA C	CK725F1A-105Z1	1	332181050R1
C8061	C-CERA C	CK725B1H-102K1	1	332101025R1
C8062	C-CERA C	CK725F1A-105Z1	1	332181050R1
C8063	C-CERA C	CK725B1H-102K1	1	332101025R1
C8064	C-CERA C	CK725F1A-105Z1	1	332181050R1
C8065	C-CERA C	CK725B1H-102K1	1	332101025R1
C8066	C-CERA C	CK725F1A-105Z1	1	332181050R1
C8067	C-CERA C	CK725B1H-102K1	1	332101025R1
C8068	C-CERA C	CK725F1A-105Z1	1	332181050R1
C8069	C-CERA C	CK725B1H-102K1	1	332101025R1
C8070	CHIP ELECT C	CEWX4V-22M	1	3981G2207R2
C8071	C-CERA C	CK725F1A-105Z1	1	332181050R1
C8073	C-CERA C	CK725F1A-105Z1	1	332181050R1
C8074	C-CERA C	CK725B1H-102K1	1	332101025R1
C8075	C-CERA C	CK725F1A-105Z1	1	332181050R1
C8076	C-CERA C	CK725B1H-102K1	1	332101025R1
C8077	C-CERA C	CK725F1A-105Z1	1	332181050R1
C8078	C-CERA C	CK725B1H-102K1	1	332101025R1
C8079	C-CERA C	CK725F1A-105Z1	1	332181050R1
C8080	C-CERA C	CC725CH1H-102J1	1	342101024R1
C8081	C-CERA C	CC725CH1H-102J1	1	342101024R1
C8083	C-CERA C	CK725F1A-105Z1	1	332181050R1
C8084	C-CERA C	CK725F1H-104Z1	1	332151040R1
C8085	C-CERA C	CK725F1A-105Z1	1	332181050R1
C8086	CHIP ELECT C	CEWX4V-100M	1	3981G1017R2
C8087	C-CERA C	CK725F1A-105Z1	1	332181050R1
C8090	C-CERA C	CC725CH1H-102J1	1	342101024R1
C8091	C-CERA C	CC725CH1H-102J1	1	342101024R1
C8093	C-CERA C	CK725F1A-105Z1	1	332181050R1
C8094	C-CERA C	CK725F1H-104Z1	1	332151040R1
C8095	C-CERA C	CK725F1A-105Z1	1	332181050R1

C8096	CHIP ELECT C	CEWX4V-100M	1	3981G1017R2
C8097	C-CERA C	CK725F1A-105Z1	1	332181050R1
C8149	C-CERA C	CK725F1H-104Z1	1	332151040R1
C8150	C-CERA C	CK725F1H-104Z1	1	332151040R1
C8163	CHIP TANTAL	F93-6.3V-100M	1	395521017R2
C8163 or	CHIP TANTAL	TCSCS0J107MBAR	(1)	396521017R2
C8164	C-CERA C	CK725F1H-104Z1	1	332151040R1
C8165	CHIP TANTAL	F93-6.3V-100M	1	395521017R2
C8165 or	CHIP TANTAL	TCSCS0J107MBAR	(1)	396521017R2
C8166	C-CERA C	CK725F1H-104Z1	1	332151040R1
C8167	C-CERA C	CC725CH1H-180J1	1	342101804R1
C8168	C-CERA C	CC725CH1H-180J1	1	342101804R1
C8169	CHIP TANTAL	F93-6.3V-100M	1	395521017R2
C8169 or	CHIP TANTAL	TCSCS0J107MBAR	(1)	396521017R2
C8170	C-CERA C	CK725F1H-104Z1	1	332151040R1
C8171	CHIP TANTAL	F93-6.3V-100M	1	395521017R2
C8171 or	CHIP TANTAL	TCSCS0J107MBAR	(1)	396521017R2
C8172	C-CERA C	CK725F1H-104Z1	1	332151040R1
C8173	CHIP TANTAL	TCFGA-1C106M8R	1	396041007R2
C8173 or	CHIP TANTAL	TCSCS1C106MAAR	(1)	396541007R2
C8174	C-CERA C	CK725F1H-104Z1	1	332151040R1
C8175	C-CERA C	CK725F1H-104Z1	1	332151040R1
C8176	C-CERA C	CK725F1H-104Z1	1	332151040R1
C8177	C-CERA C	CK725F1H-104Z1	1	332151040R1
C8178	C-CERA C	CK725F1H-104Z1	1	332151040R1
C8179	C-CERA C	CK725F1H-104Z1	1	332151040R1
C8180	C-CERA C	CK725F1H-104Z1	1	332151040R1
C8181	C-CERA C	CK725F1H-104Z1	1	332151040R1
C8182	C-CERA C	CK725F1H-104Z1	1	332151040R1
C8183	C-CERA C	CK725F1H-104Z1	1	332151040R1
C8184	C-CERA C	CK725F1H-104Z1	1	332151040R1
C8185	C-CERA C	CK725F1H-104Z1	1	332151040R1
C8186	C-CERA C	CK725F1H-104Z1	1	332151040R1
C8187	C-CERA C	CK725F1H-104Z1	1	332151040R1
C8188	C-CERA C	CK725F1H-104Z1	1	332151040R1
C8189	C-CERA C	CK725F1H-104Z1	1	332151040R1
C8190	C-CERA C	CK725F1H-104Z1	1	332151040R1
C8191	C-CERA C	CK725F1H-104Z1	1	332151040R1
C8192	C-CERA C	CK725F1H-104Z1	1	332151040R1
C8193	C-CERA C	CK725F1H-104Z1	1	332151040R1
C8194	C-CERA C	CK725F1H-104Z1	1	332151040R1
C8195	C-CERA C	CK725F1H-104Z1	1	332151040R1
C8196	C-CERA C	CK725F1H-104Z1	1	332151040R1
C8197	C-CERA C	CK725F1H-104Z1	1	332151040R1
C8198	C-CERA C	CK725F1H-104Z1	1	332151040R1
C8199	C-CERA C	CK725F1H-104Z1	1	332151040R1
C8200	C-CERA C	CK725F1H-104Z1	1	332151040R1
C8201	C-CERA C	CK725F1H-104Z1	1	332151040R1
C8202	C-CERA C	CK725F1H-104Z1	1	332151040R1
C8203	CHIP TANTAL	TCFGA-1C106M8R	1	396041007R2
C8203 or	CHIP TANTAL	TCSCS1C106MAAR	(1)	396541007R2

C8204	C-CERA C	CK725F1H-104Z1	1	332151040R1
C8205	C-CERA C	CK725F1H-104Z1	1	332151040R1
C8206	C-CERA C	CK725F1H-104Z1	1	332151040R1
C8207	C-CERA C	CK725F1H-104Z1	1	332151040R1
C8208	C-CERA C	CK725F1H-104Z1	1	332151040R1
C8209	C-CERA C	CK725F1H-104Z1	1	332151040R1
C8210	C-CERA C	CK725F1H-104Z1	1	332151040R1
C8211	C-CERA C	CK725F1H-104Z1	1	332151040R1
C8212	C-CERA C	CK725F1H-104Z1	1	332151040R1
C8213	C-CERA C	CK725F1H-104Z1	1	332151040R1
C8214	C-CERA C	CK725F1H-104Z1	1	332151040R1
C8215	CHIP TANTAL	TCFGA-1C106M8R	1	396041007R2
C8215 or	CHIP TANTAL	TCSCS1C106MAAR	(1)	396541007R2
C8216	C-CERA C	CK725F1H-104Z1	1	332151040R1
C8217	C-CERA C	CK725F1H-104Z1	1	332151040R1
C8218	C-CERA C	CK725F1H-104Z1	1	332151040R1
C8219	C-CERA C	CK725F1H-104Z1	1	332151040R1
C8220	C-CERA C	CK725F1H-104Z1	1	332151040R1
C8221	C-CERA C	CK725F1H-104Z1	1	332151040R1
C8222	C-CERA C	CK725F1H-104Z1	1	332151040R1
C8223	CHIP TANTAL	TCFGA-1C106M8R	1	396041007R2
C8223 or	CHIP TANTAL	TCSCS1C106MAAR	(1)	396541007R2
C8224	C-CERA C	CK725F1H-104Z1	1	332151040R1
C8225	C-CERA C	CK725F1H-104Z1	1	332151040R1
C8226	C-CERA C	CK725F1H-104Z1	1	332151040R1
C8227	C-CERA C	CK725F1H-104Z1	1	332151040R1
C8228	C-CERA C	CK725F1H-104Z1	1	332151040R1
C8229	C-CERA C	CK725F1H-104Z1	1	332151040R1
C8230	C-CERA C	CK725F1H-104Z1	1	332151040R1
C8231	C-CERA C	CK725F1H-104Z1	1	332151040R1
C8232	C-CERA C	CK725F1H-104Z1	1	332151040R1
C8233	C-CERA C	CK725F1H-104Z1	1	332151040R1
C8234	CHIP TANTAL	TCFGA-1C106M8R	1	396041007R2
C8234 or	CHIP TANTAL	TCSCS1C106MAAR	(1)	396541007R2
C8235	C-CERA C	CK725F1H-104Z1	1	332151040R1
C8236	C-CERA C	CK725F1H-104Z1	1	332151040R1
C8237	C-CERA C	CK725F1H-104Z1	1	332151040R1
C8238	C-CERA C	CK725F1H-104Z1	1	332151040R1
C8239	C-CERA C	CK725F1H-104Z1	1	332151040R1
C8240	C-CERA C	CK725F1H-104Z1	1	332151040R1
C8241	C-CERA C	CK725F1H-104Z1	1	332151040R1
C8242	CHIP TANTAL	TCFGA-1C106M8R	1	396041007R2
C8242 or	CHIP TANTAL	TCSCS1C106MAAR	(1)	396541007R2
C8243	C-CERA C	CK725F1H-104Z1	1	332151040R1
C8244	C-CERA C	CK725F1H-104Z1	1	332151040R1
C8245	C-CERA C	CK725F1H-104Z1	1	332151040R1
C8246	C-CERA C	CK725F1H-104Z1	1	332151040R1
C8247	C-CERA C	CK725F1H-104Z1	1	332151040R1
C8248	C-CERA C	CK725F1H-104Z1	1	332151040R1
C8249	C-CERA C	CK725F1H-104Z1	1	332151040R1
C8250	C-CERA C	CK725F1H-104Z1	1	332151040R1

C8251	C-CERA C	CK725F1H-104Z1	1	332151040R1
C8252	C-CERA C	CK725F1H-104Z1	1	332151040R1
C8253	CHIP TANTAL	TCFGA-1C106M8R	1	396041007R2
C8253 or	CHIP TANTAL	TCSCS1C106MAAR	(1)	396541007R2
C8254	C-CERA C	CK725F1H-104Z1	1	332151040R1
C8255	C-CERA C	CK725F1H-104Z1	1	332151040R1
C8256	C-CERA C	CK725F1H-104Z1	1	332151040R1
C8257	C-CERA C	CK725F1H-104Z1	1	332151040R1
C8258	C-CERA C	CK725F1H-104Z1	1	332151040R1
C8259	C-CERA C	CK725F1H-104Z1	1	332151040R1
C8260	C-CERA C	CK725F1H-104Z1	1	332151040R1
C8261	CHIP TANTAL	F93-10V-220M	1	395532217R2
C8261 or	CHIP TANTAL	TCSCS1A227MDAR	(1)	396532217R2
C8262	C-CERA C	CK725F1H-104Z1	1	332151040R1
C8263	C-CERA C	CK725F1H-104Z1	1	332151040R1
C8264	C-CERA C	CK725F1H-104Z1	1	332151040R1
C8265	C-CERA C	CK725F1H-104Z1	1	332151040R1
C8266	C-CERA C	CK725F1H-104Z1	1	332151040R1
C8267	C-CERA C	CK725F1H-104Z1	1	332151040R1
C8268	C-CERA C	CK725F1H-104Z1	1	332151040R1
C8269	C-CERA C	CK725F1H-104Z1	1	332151040R1
C8270	C-CERA C	CK725F1H-104Z1	1	332151040R1
C8271	C-CERA C	CK725F1H-104Z1	1	332151040R1
C8272	C-CERA C	CK725F1H-104Z1	1	332151040R1
C8273	C-CERA C	CK725F1H-104Z1	1	332151040R1
C8274	CHIP TANTAL	TCFGA-1C106M8R	1	396041007R2
C8274 or	CHIP TANTAL	TCSCS1C106MAAR	(1)	396541007R2
C8275	C-CERA C	CK725F1H-104Z1	1	332151040R1
C8276	C-CERA C	CK725F1H-104Z1	1	332151040R1
C8277	C-CERA C	CK725F1H-104Z1	1	332151040R1
C8278	C-CERA C	CK725F1H-104Z1	1	332151040R1
C8279	C-CERA C	CK725F1H-104Z1	1	332151040R1
C8280	C-CERA C	CK725F1H-104Z1	1	332151040R1
C8281	C-CERA C	CK725F1H-104Z1	1	332151040R1
C8282	C-CERA C	CK725F1H-104Z1	1	332151040R1
C8283	C-CERA C	CK725F1H-104Z1	1	332151040R1
C8284	C-CERA C	CK725F1H-104Z1	1	332151040R1
C8285	C-CERA C	CK725F1H-104Z1	1	332151040R1
C8286	C-CERA C	CK725F1H-104Z1	1	332151040R1
C8287	C-CERA C	CK725F1H-104Z1	1	332151040R1
C8288	C-CERA C	CK725F1H-104Z1	1	332151040R1
C8289	C-CERA C	CK725F1H-104Z1	1	332151040R1
C8290	C-CERA C	CK725F1H-104Z1	1	332151040R1
C8291	C-CERA C	CK725F1H-104Z1	1	332151040R1
C8292	C-CERA C	CK725F1H-104Z1	1	332151040R1
C8293	C-CERA C	CK725F1H-104Z1	1	332151040R1
C8294	C-CERA C	CK725F1H-104Z1	1	332151040R1
C8295	C-CERA C	CK725F1H-104Z1	1	332151040R1
C8326	C-CERA C	CK725F1A-105Z1	1	332181050R1
C8327	C-CERA C	CK725F1A-105Z1	1	332181050R1
C8328	CHIP ELECT C	CEWX16V-22M	1	398142207R2

C8329	C-CERA C	CK725F1A-105Z1	1	332181050R1
C8330	C-CERA C	CK725F1A-105Z1	1	332181050R1
C8348	C-CERA C	CC725CH1H-102J1	1	342101024R1
C8376	C-CERA C	CK725F1A-105Z1	1	332181050R1
C8377	C-CERA C	CK725F1A-105Z1	1	332181050R1
C8378	CHIP ELECT C	CEWX16V-22M	1	398142207R2
C8379	C-CERA C	CK725F1A-105Z1	1	332181050R1
C8380	C-CERA C	CK725F1A-105Z1	1	332181050R1
C8398	C-CERA C	CC725CH1H-102J1	1	342101024R1
C8399	C-CERA C	CC725CH1H-102J1	1	342101024R1
C8401	CHIP ELECT C	CEWX4V-22M	1	3981G2207R2
C8402	CHIP ELECT C	CEWX4V-22M	1	3981G2207R2
C8403	C-CERA C	CK725F1A-105Z1	1	332181050R1
C8404	C-CERA C	CC725CH1H-102J1	1	342101024R1
C8405	C-CERA C	CK725F1A-105Z1	1	332181050R1
C8406	C-CERA C	CC725CH1H-102J1	1	342101024R1
C8407	C-CERA C	CC725CH1H-100D1	1	342101002R1
C8408	CHIP ELECT C	CEWX4V-22M	1	3981G2207R2
C8409	CHIP ELECT C	CEWX4V-22M	1	3981G2207R2
C8410	C-CERA C	CK725F1A-105Z1	1	332181050R1
C8411	C-CERA C	CC725CH1H-102J1	1	342101024R1
C8412	C-CERA C	CK725F1A-105Z1	1	332181050R1
C8413	C-CERA C	CC725CH1H-102J1	1	342101024R1
C8414	C-CERA C	CK725F1A-105Z1	1	332181050R1
C8415	C-CERA C	CC725CH1H-102J1	1	342101024R1
C8416	C-CERA C	CC725CH1H-102J1	1	342101024R1
C8417	C-CERA C	CK725F1A-105Z1	1	332181050R1
C8418	CHIP ELECT C	CEWX4V-22M	1	3981G2207R2
C8419	C-CERA C	CC725CH1H-102J1	1	342101024R1
C8420	C-CERA C	CK725F1A-105Z1	1	332181050R1
C8421	C-CERA C	CC725CH1H-102J1	1	342101024R1
C8422	C-CERA C	CK725F1A-105Z1	1	332181050R1
C8423	C-CERA C	CC725CH1H-102J1	1	342101024R1
C8424	C-CERA C	CK725F1A-105Z1	1	332181050R1
C8425	C-CERA C	CC725CH1H-102J1	1	342101024R1
C8426	C-CERA C	CK725F1A-105Z1	1	332181050R1
C8427	C-CERA C	CC725CH1H-102J1	1	342101024R1
C8428	C-CERA C	CK725F1A-105Z1	1	332181050R1
C8429	C-CERA C	CC725CH1H-102J1	1	342101024R1
C8430	C-CERA C	CK725F1A-105Z1	1	332181050R1
C8431	C-CERA C	CC725CH1H-102J1	1	342101024R1
C8432	C-CERA C	CK725F1A-105Z1	1	332181050R1
C8433	C-CERA C	CC725CH1H-102J1	1	342101024R1
C8434	C-CERA C	CK725F1A-105Z1	1	332181050R1
C8435	C-CERA C	CK725F1A-105Z1	1	332181050R1
C8441	C-CERA C	CK725F1A-105Z1	1	332181050R1
C8442	C-CERA C	CK725F1A-105Z1	1	332181050R1
C8443	CHIP ELECT C	CEWX4V-220M	1	3981G2217R2
C8444	C-CERA C	CK725F1A-105Z1	1	332181050R1
C8449	C-CERA C	CC725CH1H-102J1	1	342101024R1
C8451	CHIP TANTAL	TCFGA-1C106M8R	1	396041007R2

C8451 or	CHIP TANTAL	TCSCS1C106MAAR	(1)	396541007R2
C8452	CHIP TANTAL	TCFGA-1C106M8R	1	396041007R2
C8452 or	CHIP TANTAL	TCSCS1C106MAAR	(1)	396541007R2
C8453	C-CERA C	CK725F1A-105Z1	1	332181050R1
C8454	C-CERA C	CC725CH1H-102J1	1	342101024R1
C8455	C-CERA C	CK725F1A-105Z1	1	332181050R1
C8456	C-CERA C	CC725CH1H-102J1	1	342101024R1
C8457	C-CERA C	CC725CH1H-100D1	1	342101002R1
C8458	CHIP ELECT C	CEWX4V-22M	1	3981G2207R2
C8459	CHIP TANTAL	TCFGA-1C106M8R	1	396041007R2
C8459 or	CHIP TANTAL	TCSCS1C106MAAR	(1)	396541007R2
C8460	C-CERA C	CK725F1A-105Z1	1	332181050R1
C8461	C-CERA C	CC725CH1H-102J1	1	342101024R1
C8462	C-CERA C	CK725F1A-105Z1	1	332181050R1
C8463	C-CERA C	CC725CH1H-102J1	1	342101024R1
C8464	C-CERA C	CK725F1A-105Z1	1	332181050R1
C8465	C-CERA C	CC725CH1H-102J1	1	342101024R1
C8466	C-CERA C	CC725CH1H-102J1	1	342101024R1
C8467	C-CERA C	CK725F1A-105Z1	1	332181050R1
C8468	CHIP TANTAL	TCFGA-1C106M8R	1	396041007R2
C8468 or	CHIP TANTAL	TCSCS1C106MAAR	(1)	396541007R2
C8469	C-CERA C	CC725CH1H-102J1	1	342101024R1
C8470	C-CERA C	CK725F1A-105Z1	1	332181050R1
C8471	C-CERA C	CC725CH1H-102J1	1	342101024R1
C8472	C-CERA C	CK725F1A-105Z1	1	332181050R1
C8473	C-CERA C	CC725CH1H-102J1	1	342101024R1
C8474	C-CERA C	CK725F1A-105Z1	1	332181050R1
C8475	C-CERA C	CC725CH1H-102J1	1	342101024R1
C8476	C-CERA C	CK725F1A-105Z1	1	332181050R1
C8477	C-CERA C	CC725CH1H-102J1	1	342101024R1
C8478	C-CERA C	CK725F1A-105Z1	1	332181050R1
C8479	C-CERA C	CC725CH1H-102J1	1	342101024R1
C8480	C-CERA C	CK725F1A-105Z1	1	332181050R1
C8481	C-CERA C	CC725CH1H-102J1	1	342101024R1
C8482	C-CERA C	CK725F1A-105Z1	1	332181050R1
C8483	C-CERA C	CC725CH1H-102J1	1	342101024R1
C8484	C-CERA C	CK725F1A-105Z1	1	332181050R1
C8485	C-CERA C	CK725F1A-105Z1	1	332181050R1
C8491	C-CERA C	CK725F1A-105Z1	1	332181050R1
C8492	C-CERA C	CK725F1A-105Z1	1	332181050R1
C8493	CHIP ELECT C	CEWX4V-220M	1	3981G2217R2
C8501	C-CERA C	CK725F1A-105Z1	1	332181050R1
C8502	CHIP ELECT C	CEWX4V-22M	1	3981G2207R2
C8503	C-CERA C	CK725B1H-102K1	1	332101025R1
C8504	C-CERA C	CK725B1H-102K1	1	332101025R1
C8505	CHIP ELECT C	CEWX4V-22M	1	3981G2207R2
C8506	C-CERA C	CK725F1A-105Z1	1	332181050R1
C8507	C-CERA C	CK725B1H-102K1	1	332101025R1
C8508	C-CERA C	CK725F1A-105Z1	1	332181050R1
C8509	C-CERA C	CK725B1H-102K1	1	332101025R1
C8510	C-CERA C	CK725F1A-105Z1	1	332181050R1

C8511	C-CERA C	CK725B1H-102K1	1	332101025R1
C8512	C-CERA C	CK725F1A-105Z1	1	332181050R1
C8513	C-CERA C	CK725B1H-102K1	1	332101025R1
C8514	C-CERA C	CK725F1A-105Z1	1	332181050R1
C8515	C-CERA C	CK725B1H-102K1	1	332101025R1
C8516	C-CERA C	CK725F1A-105Z1	1	332181050R1
C8517	C-CERA C	CK725B1H-102K1	1	332101025R1
C8518	C-CERA C	CK725F1A-105Z1	1	332181050R1
C8519	C-CERA C	CK725B1H-102K1	1	332101025R1
C8520	C-CERA C	CK725F1A-105Z1	1	332181050R1
C8521	C-CERA C	CK725B1H-102K1	1	332101025R1
C8522	C-CERA C	CK725F1A-105Z1	1	332181050R1
C8523	C-CERA C	CK725B1H-102K1	1	332101025R1
C8524	C-CERA C	CK725F1A-105Z1	1	332181050R1
C8529	CHIP ELECT C	CEWX4V-22M	1	3981G2207R2
C8530	C-CERA C	CK725F1A-105Z1	1	332181050R1
C8531	C-CERA C	CK725B1H-102K1	1	332101025R1
C8532	C-CERA C	CK725F1A-105Z1	1	332181050R1
C8533	C-CERA C	CK725B1H-102K1	1	332101025R1
C8534	C-CERA C	CK725F1A-105Z1	1	332181050R1
C8535	C-CERA C	CK725B1H-102K1	1	332101025R1
C8536	C-CERA C	CK725F1A-105Z1	1	332181050R1
C8537	C-CERA C	CK725B1H-102K1	1	332101025R1
C8538	C-CERA C	CK725F1A-105Z1	1	332181050R1
C8539	C-CERA C	CK725B1H-102K1	1	332101025R1
C8540	C-CERA C	CK725F1A-105Z1	1	332181050R1
C8541	C-CERA C	CK725B1H-102K1	1	332101025R1
C8542	C-CERA C	CK725F1A-105Z1	1	332181050R1
C8543	C-CERA C	CK725B1H-102K1	1	332101025R1
C8544	C-CERA C	CK725F1A-105Z1	1	332181050R1
C8545	C-CERA C	CK725B1H-102K1	1	332101025R1
C8546	C-CERA C	CK725F1A-105Z1	1	332181050R1
C8547	C-CERA C	CK725B1H-102K1	1	332101025R1
C8548	C-CERA C	CK725F1A-105Z1	1	332181050R1
C8549	C-CERA C	CK725B1H-102K1	1	332101025R1
C8550	C-CERA C	CK725F1A-105Z1	1	332181050R1
C8551	C-CERA C	CK725B1H-102K1	1	332101025R1
C8552	C-CERA C	CK725F1A-105Z1	1	332181050R1
C8553	C-CERA C	CK725B1H-102K1	1	332101025R1
C8554	C-CERA C	CK725F1A-105Z1	1	332181050R1
C8555	C-CERA C	CK725B1H-102K1	1	332101025R1
C8556	C-CERA C	CK725F1A-105Z1	1	332181050R1
C8557	C-CERA C	CK725B1H-102K1	1	332101025R1
C8558	C-CERA C	CK725F1A-105Z1	1	332181050R1
C8559	C-CERA C	CK725B1H-102K1	1	332101025R1
C8560	C-CERA C	CK725F1A-105Z1	1	332181050R1
C8561	C-CERA C	CK725B1H-102K1	1	332101025R1
C8562	C-CERA C	CK725F1A-105Z1	1	332181050R1
C8563	C-CERA C	CK725B1H-102K1	1	332101025R1

C8564	CHIP ELECT C	CEWX4V-22M	1	3981G2207R2
C8565	CHIP ELECT C	CEWX4V-22M	1	3981G2207R2
C8566	C-CERA C	CK725B1H-102K1	1	332101025R1
C8567	C-CERA C	CK725F1A-105Z1	1	332181050R1
C8568	CHIP ELECT C	CEWX4V-22M	1	3981G2207R2
C8569	C-CERA C	CK725B1H-102K1	1	332101025R1
C8570	C-CERA C	CK725F1A-105Z1	1	332181050R1
C8571	CHIP ELECT C	CEWX4V-22M	1	3981G2207R2
C8572	C-CERA C	CK725B1H-102K1	1	332101025R1
C8573	C-CERA C	CK725F1A-105Z1	1	332181050R1
C8574	C-CERA C	CC725CH1H-120J1	1	342101204R1
C8575	C-CERA C	CC725CH1H-120J1	1	342101204R1
C8601	C-CERA C	CK725F1A-105Z1	1	332181050R1
C8602	CHIP ELECT C	CEWX4V-100M	1	3981G1017R2
C8604	C-CERA C	CK725F1A-105Z1	1	332181050R1
C8605	CHIP ELECT C	CEWX4V-220M	1	3981G2217R2
C8608	C-CERA C	CK725F1A-105Z1	1	332181050R1
C8609	CHIP ELECT C	CEWX4V-100M	1	3981G1017R2
C8675	CHIP ELECT C	CEWX4V-100M	1	3981G1017R2
C8676	C-CERA C	CK725F1A-105Z1	1	332181050R1
C8687	C-CERA C	CK725F1A-105Z1	1	332181050R1
C8701	C-CERA C	CK725F1A-105Z1	1	332181050R1
C8702	C-CERA C	CK725F1A-105Z1	1	332181050R1
C8703	C-CERA C	CK725F1A-105Z1	1	332181050R1
C8704	CHIP ELECT C	CEWX50V-4.7M	1	398180477R2
C8705	C-CERA C	CK725F1A-105Z1	1	332181050R1
C8706	C-CERA C	CK725F1A-105Z1	1	332181050R1
C8707	C-CERA C	CK725F1A-105Z1	1	332181050R1
C8708	C-CERA C	CK725F1A-105Z1	1	332181050R1
C8709	CHIP ELECT C	CEWX4V-220M	1	3981G2217R2
C8710	C-CERA C	CK725F1A-105Z1	1	332181050R1
C8725	CHIP ELECT C	CEWX4V-100M	1	3981G1017R2
C8726	C-CERA C	CK725F1A-105Z1	1	332181050R1
C8801	CHIP ELECT C	CEWX4V-100M	1	3981G1017R2
C8802	C-CERA C	CK725B1C-104K1	1	332121045R1
C8803	C-CERA C	CK725B1C-104K1	1	332121045R1
C8804	C-CERA C	CK725B1C-104K1	1	332121045R1
C8805	C-CERA C	CK725B1C-104K1	1	332121045R1
C8806	C-CERA C	CK725B1C-104K1	1	332121045R1
C8807	C-CERA C	CK725B1C-104K1	1	332121045R1
C8808	C-CERA C	CK725F1A-105Z1	1	332181050R1
C8809	C-CERA C	CK725F1A-105Z1	1	332181050R1
C8810	CHIP ELECT C	CEWX16V-10M	1	398141007R2
C8811	CHIP ELECT C	CEWX16V-10M	1	398141007R2
C8812	C-CERA C	CK725F1H-104Z1	1	332151040R1
C8813	C-CERA C	CK725F1H-104Z1	1	332151040R1
C8814	C-CERA C	CK725F1H-104Z1	1	332151040R1
C8815	C-CERA C	CK725F1H-104Z1	1	332151040R1
C8816	C-CERA C	CK725F1H-104Z1	1	332151040R1
C8817	CHIP ELECT C	CEWX16V-10M	1	398141007R2
C8818	CHIP ELECT C	CEWX16V-10M	1	398141007R2

C8819	C-CERA C	CC725CH1H-102J1	1	342101024R1
C8820	C-CERA C	CC725CH1H-101J1	1	342101014R1
C8821	C-CERA C	CK725F1H-104Z1	1	332151040R1
C8822	C-CERA C	CK725F1H-104Z1	1	332151040R1
C8823	C-CERA C	CK725F1H-104Z1	1	332151040R1
C8824	C-CERA C	CK725F1H-104Z1	1	332151040R1
C8825	C-CERA C	CK725F1H-104Z1	1	332151040R1
C8826	C-CERA C	CK725F1H-104Z1	1	332151040R1
C8827	C-CERA C	CK725B1H-223K1	1	332102235R1
C8828	C-CERA C	CK725B1C-823K1	1	332128235R1
C8829	C-CERA C	CK725F1H-104Z1	1	332151040R1
C8830	C-CERA C	CK725F1H-104Z1	1	332151040R1
C8831	C-CERA C	CK725F1H-104Z1	1	332151040R1
C8833	C-CERA C	CC725CH1H-070D1	1	342100702R1
C8834	C-CERA C	CC725CH1H-070D1	1	342100702R1
C8835	CHIP ELECT C	CEWX4V-100M	1	3981G1017R2
C8836	CHIP ELECT C	CEWX4V-100M	1	3981G1017R2
C8837	CHIP ELECT C	CEWX4V-100M	1	3981G1017R2
C8838	C-CERA C	CC725CH1H-470J1	1	342104704R1
C8839	C-CERA C	CC725CH1H-470J1	1	342104704R1
C8840	C-CERA C	CC725CH1H-470J1	1	342104704R1
C8841	CHIP ELECT C	CEWX16V-10M	1	398141007R2
C8843	CHIP ELECT C	CEWX4V-100M	1	3981G1017R2
C8848	C-CERA C	CC725CH1H-330J1	1	342103304R1
C8849	C-CERA C	CC725CH1H-330J1	1	342103304R1
C8850	C-CERA C	CC725CH1H-330J1	1	342103304R1
C8851	C-CERA C	CC725CH1H-820J1	1	342108204R1
C8852	C-CERA C	CC725CH1H-820J1	1	342108204R1
C8853	C-CERA C	CC725CH1H-820J1	1	342108204R1
C8854	C-CERA C	CK725F1H-104Z1	1	332151040R1
C8855	C-CERA C	CK725F1H-104Z1	1	332151040R1
C8856	C-CERA C	CK725F1H-104Z1	1	332151040R1
C8857	C-CERA C	CK725F1H-104Z1	1	332151040R1
C8858	C-CERA C	CK725F1H-104Z1	1	332151040R1
C8859	C-CERA C	CK725F1H-104Z1	1	332151040R1
C8860	C-CERA C	CK725F1H-104Z1	1	332151040R1
C8861	C-CERA C	CK725F1H-104Z1	1	332151040R1
C8862	C-CERA C	CK725F1H-104Z1	1	332151040R1
C8863	C-CERA C	CK725F1H-104Z1	1	332151040R1
C8864	C-CERA C	CK725F1H-104Z1	1	332151040R1
C8865	C-CERA C	CK725F1H-104Z1	1	332151040R1
C8866	C-CERA C	CK725F1H-104Z1	1	332151040R1
C8867	C-CERA C	CK725F1H-104Z1	1	332151040R1
C8868	C-CERA C	CK725F1H-104Z1	1	332151040R1
C8869	C-CERA C	CK725F1H-104Z1	1	332151040R1
C8870	C-CERA C	CK725F1H-104Z1	1	332151040R1
C8871	C-CERA C	CK725F1H-104Z1	1	332151040R1
C8872	C-CERA C	CK725F1H-104Z1	1	332151040R1
C8873	C-CERA C	CK725F1H-104Z1	1	332151040R1

C8874	C-CERA C	CK725F1H-104Z1	1	332151040R1
C8875	C-CERA C	CK725F1H-104Z1	1	332151040R1
C8876	C-CERA C	CK725F1H-104Z1	1	332151040R1
C8877	C-CERA C	CK725F1H-104Z1	1	332151040R1
C8878	C-CERA C	CK725F1H-104Z1	1	332151040R1
C8879	C-CERA C	CK725F1H-104Z1	1	332151040R1
C8880	C-CERA C	CK725F1H-104Z1	1	332151040R1
C8881	C-CERA C	CK725F1H-104Z1	1	332151040R1
C8882	C-CERA C	CK725F1H-104Z1	1	332151040R1
C8883	C-CERA C	CK725F1H-104Z1	1	332151040R1
C8884	C-CERA C	CK725F1H-104Z1	1	332151040R1
C8885	C-CERA C	CK725F1H-104Z1	1	332151040R1
C8886	C-CERA C	CK725F1H-104Z1	1	332151040R1
C8887	C-CERA C	CK725F1H-104Z1	1	332151040R1
C8888	C-CERA C	CK725F1H-104Z1	1	332151040R1
C8889	C-CERA C	CK725F1H-104Z1	1	332151040R1
C8890	C-CERA C	CK725F1H-104Z1	1	332151040R1
C8891	C-CERA C	CK725F1H-104Z1	1	332151040R1
C8892	C-CERA C	CK725F1H-104Z1	1	332151040R1
C8893	C-CERA C	CK725F1H-104Z1	1	332151040R1
C8894	C-CERA C	CK725F1H-104Z1	1	332151040R1
C8895	C-CERA C	CK725F1H-104Z1	1	332151040R1
C8896	C-CERA C	CK725F1H-104Z1	1	332151040R1
C8897	C-CERA C	CK725F1H-104Z1	1	332151040R1
C8898	C-CERA C	CK725F1H-104Z1	1	332151040R1
C8899	C-CERA C	CK725F1H-104Z1	1	332151040R1
C8901	C-CERA C	CK725F1A-105Z1	1	332181050R1
C8902	CHIP ELECT C	CEWX4V-220M	1	3981G2217R2
C8903	C-CERA C	CK725F1A-105Z1	1	332181050R1
C8904	C-CERA C	CK725F1A-105Z1	1	332181050R1
C8905	C-CERA C	CC725CH1H-102J1	1	342101024R1
C8906	C-FILM C	ECHU50V-392J	1	373023924R2
C8907	C-CERA C	CC725CH1H-821J1	1	342108214R1
C8908	C-CERA C	CK725B1C-104K1	1	332121045R1
C8909	C-CERA C	CK725F1A-105Z1	1	332181050R1
C8910	C-CERA C	CK725B1C-104K1	1	332121045R1
C8911	C-CERA C	CK725F1A-105Z1	1	332181050R1
C8912	C-CERA C	CK725F1A-105Z1	1	332181050R1
C8914	CHIP ELECT C	CEWX4V-220M	1	3981G2217R2
C8916	CHIP ELECT C	CEWX4V-220M	1	3981G2217R2
C8917	C-CERA C	CK725F1A-105Z1	1	332181050R1
C8918	CHIP ELECT C	CEWX16V-47M	1	398144707R2
C8919	CHIP TANTAL	F93-10V-47M	1	395534707R2
C8919 or	CHIP TANTAL	TCSCS1A476MBAR	(1)	396534707R2
C8920	C-CERA C	CK725F1H-104Z1	1	332151040R1
C8921	CHIP TANTAL	F93-10V-220M	1	395532217R2
C8921 or	CHIP TANTAL	TCSCS1A227MDAR	(1)	396532217R2
C8922	C-CERA C	CK725F1H-104Z1	1	332151040R1
C8923	C-CERA C	CK725F1H-104Z1	1	332151040R1

C8924	C-CERA C	CC725CH1H-120J1	1	342101204R1
C8925	C-CERA C	CC725CH1H-120J1	1	342101204R1
C8931	CHIP ELECT C	CEWX6.3V-330M	1	398123317R2
C8932	CHIP ELECT C	CEWX6.3V-330M	1	398123317R2
C8933	C-CERA C	CK725F1A-105Z1	1	332181050R1
C8934	C-CERA C	CK725F1H-103Z1	1	332151030R1
C8935	C-CERA C	CK725F1H-103Z1	1	332151030R1
C8950	C-CERA C	CK725F1H-104Z1	1	332151040R1
C8951	C-CERA C	CK725F1H-104Z1	1	332151040R1
C8952	CHIP TANTAL	TCFGA-1C106M8R	1	396041007R2
C8952 or	CHIP TANTAL	TCSCS1C106MAAR	(1)	396541007R2
C8955	CD C	UCD1A471MNL1GS	1	396634717R2
C8956	CD C	UCD1A471MNL1GS	1	396634717R2
C8957	CD C	UCD1A471MNL1GS	1	396634717R2
C8958	CD C	UCD1A471MNL1GS	1	396634717R2
C8959	C-CERA C	CK725B1H-682K1	1	332106825R1
C8960	C-CERA C	CK725B1H-682K1	1	332106825R1
C8961	C-CERA C	CK725B1H-682K1	1	332106825R1
C8962	C-CERA C	CK725B1H-682K1	1	332106825R1
C8963	C-CERA C	CK725B1H-223K1	1	332102235R1
C8964	C-CERA C	CC725CH1H-102J1	1	342101024R1
C8965	C-CERA C	CC725CH1H-102J1	1	342101024R1
C8966	C-CERA C	CC725CH1H-102J1	1	342101024R1
C8967	C-CERA C	CK725F1A-105Z1	1	332181050R1
C8968	C-CERA C	CK725F1A-105Z1	1	332181050R1
C8969	C-CERA C	CK725F1A-105Z1	1	332181050R1
C8970	C-CERA C	CK725F1A-105Z1	1	332181050R1
C8971	C-CERA C	CK725F1H-473Z1	1	332154730R1
C8972	C-CERA C	CK725F1H-473Z1	1	332154730R1
C8973	C-CERA C	CK725F1H-473Z1	1	332154730R1
C8974	C-CERA C	CK725F1H-473Z1	1	332154730R1
C8975	C-CERA C	CK725F1A-105Z1	1	332181050R1
C8976	C-CERA C	CK725F1A-105Z1	1	332181050R1
C8977	C-CERA C	CK725F1A-105Z1	1	332181050R1
C8978	C-CERA C	CK725F1A-105Z1	1	332181050R1
C8979	C-CERA C	CK725F1A-105Z1	1	332181050R1
C8980	C-CERA C	CK725F1A-105Z1	1	332181050R1
C8981	C-CERA C	CK725F1A-105Z1	1	332181050R1
C8982	C-CERA C	CK725F1A-105Z1	1	332181050R1
C8983	C-CERA C	CK725F1A-105Z1	1	332181050R1
C8984	C-CERA C	CK725F1A-105Z1	1	332181050R1
C8985	C-CERA C	CK725F1A-105Z1	1	332181050R1
C8986	C-CERA C	CK725F1A-105Z1	1	332181050R1
C8989	C-CERA C	CK725F1A-105Z1	1	332181050R1
C8990	C-CERA C	CK725F1A-105Z1	1	332181050R1
C8991	C-CERA C	CK725F1A-105Z1	1	332181050R1
C8992	C-CERA C	CK725F1A-105Z1	1	332181050R1
C8993	CD C	UCD1E221MNL1GS	1	396652217R2
C8994	CD C	UCD1E221MNL1GS	1	396652217R2
C8995	CD C	UCD1E221MNL1GS	1	396652217R2

C8996	CD C	UCD1E221MNL1GS	1	396652217R2
C8997	C-CERA C	CK725F1A-105Z1	1	332181050R1
C8998	C-CERA C	CK725F1A-105Z1	1	332181050R1
C8999	C-CERA C	CK725F1A-105Z1	1	332181050R1
R8001	C-CARBON R	RN72K1J-103JE	1	435031034R1
R8004	C-CARBON R	RN72K1J-472JE	1	435034724R1
R8005	C-CARBON R	RN72K1J-103JE	1	435031034R1
R8006	C-CARBON R	RN72K1J-330JE	1	435033304R1
R8012	C-CARBON R	RN72K1J-473JE	1	435034734R1
R8013	C-CARBON R	RN72K1J-102JE	1	435031024R1
R8014	C-CARBON R	RN72K1J-562JE	1	435035624R1
R8015	C-CARBON R	RN72K1J-562JE	1	435035624R1
R8016	C-CARBON R	RN72K1J-000JE	1	435030004R1
R8018	C-CARBON R	RN72K1J-473JE	1	435034734R1
R8019	C-CARBON R	RN72K1J-000JE	1	435030004R1
R8020	C-CARBON R	RN72K1J-000JE	1	435030004R1
R8021	C-CARBON R	RN72K1J-000JE	1	435030004R1
R8023	C-CARBON R	RN72K1J-473JE	1	435034734R1
R8032	C-CARBON R	RN72K1J-473JE	1	435034734R1
R8033	C-CARBON R	RN72K1J-102JE	1	435031024R1
R8034	C-CARBON R	RN72K1J-562JE	1	435035624R1
R8035	C-CARBON R	RN72K1J-562JE	1	435035624R1
R8036	C-CARBON R	RN72K1J-000JE	1	435030004R1
R8038	C-CARBON R	RN72K1J-473JE	1	435034734R1
R8039	C-CARBON R	RN72K1J-000JE	1	435030004R1
R8040	C-CARBON R	RN72K1J-000JE	1	435030004R1
R8041	C-CARBON R	RN72K1J-000JE	1	435030004R1
R8043	C-CARBON R	RN72K1J-473JE	1	435034734R1
R8051	C-CARBON R	RN72K1J-103JE	1	435031034R1
R8054	C-CARBON R	RN72K1J-472JE	1	435034724R1
R8055	C-CARBON R	RN72K1J-103JE	1	435031034R1
R8062	C-CARBON R	RN72K1J-473JE	1	435034734R1
R8063	C-CARBON R	RN72K1J-102JE	1	435031024R1
R8064	C-CARBON R	RN72K1J-562JE	1	435035624R1
R8065	C-CARBON R	RN72K1J-562JE	1	435035624R1
R8066	C-CARBON R	RN72K1J-000JE	1	435030004R1
R8068	C-CARBON R	RN72K1J-473JE	1	435034734R1
R8069	C-CARBON R	RN72K1J-000JE	1	435030004R1
R8070	C-CARBON R	RN72K1J-000JE	1	435030004R1
R8071	C-CARBON R	RN72K1J-000JE	1	435030004R1
R8073	C-CARBON R	RN72K1J-473JE	1	435034734R1
R8082	C-CARBON R	RN72K1J-473JE	1	435034734R1
R8083	C-CARBON R	RN72K1J-102JE	1	435031024R1
R8084	C-CARBON R	RN72K1J-562JE	1	435035624R1
R8085	C-CARBON R	RN72K1J-562JE	1	435035624R1
R8086	C-CARBON R	RN72K1J-000JE	1	435030004R1
R8088	C-CARBON R	RN72K1J-473JE	1	435034734R1
R8089	C-CARBON R	RN72K1J-000JE	1	435030004R1
R8090	C-CARBON R	RN72K1J-000JE	1	435030004R1

R8091	C-CARBON R	RN72K1J-000JE	1	435030004R1
R8093	C-CARBON R	RN72K1J-473JE	1	435034734R1
R8099	C-CARBON R	RN72K1J-330JE	1	435033304R1
R8106	C-CARBON R	RN72K1J-103JE	1	435031034R1
R8107	C-CARBON R	RN72K1J-103JE	1	435031034R1
R8110	C-CARBON R	RN72K1J-470JE	1	435034704R1
R8111	C-CARBON R	RN72K1J-101JE	1	435031014R1
R8112	C-CARBON R	RN72K1J-101JE	1	435031014R1
R8113	C-CARBON R	RN72K1J-103JE	1	435031034R1
R8114	C-CARBON R	RN72K1J-101JE	1	435031014R1
R8115	C-CARBON R	RN72K1J-101JE	1	435031014R1
R8116	C-CARBON R	RN72K1J-103JE	1	435031034R1
R8118	C-CARBON R	RN72K1J-103JE	1	435031034R1
R8119	C-CARBON R	RN72K1J-332JE	1	435033324R1
R8120	C-CARBON R	RN72K2B-000JE	1	433220004R1
R8121	C-CARBON R	RN72K1J-331JE	1	435033314R1
R8122	C-CARBON R	RN72K2B-000JE	1	433220004R1
R8123	C-CARBON R	RN72K1J-000JE	1	435030004R1
R8124	C-CARBON R	RN72K1J-103JE	1	435031034R1
R8125	C-CARBON R	RN72K1J-103JE	1	435031034R1
R8126	C-CARBON R	RN72K1J-271JE	1	435032714R1
R8127	C-CARBON R	RN72K1J-103JE	1	435031034R1
R8128	C-CARBON R	RN72K1J-750FE	1	435037502R1
R8129	C-CARBON R	RN72K1J-103JE	1	435031034R1
R8130	C-CARBON R	RN72K1J-750FE	1	435037502R1
R8136	C-CARBON R	RN72K1J-331JE	1	435033314R1
R8140	C-CARBON R	RN72K1J-331JE	1	435033314R1
R8141	C-CARBON R	RN72K1J-331JE	1	435033314R1
R8147	C-CARBON R	RN72K1J-103JE	1	435031034R1
R8149	C-CARBON R	RN72K1J-103JE	1	435031034R1
R8150	C-CARBON R	RN72K1J-103JE	1	435031034R1
R8151	C-CARBON R	RN72K1J-103JE	1	435031034R1
R8154	C-CARBON R	RN72K1J-000JE	1	435030004R1
R8157	C-CARBON R	RN72K1J-103JE	1	435031034R1
R8158	C-CARBON R	RN72K1J-103JE	1	435031034R1
R8168	C-CARBON R	RN72K1J-000JE	1	435030004R1
R8197	C-CARBON R	RN72K1J-472JE	1	435034724R1
R8198	C-CARBON R	RN72K1J-331JE	1	435033314R1
R8251	C-CARBON R	RN72K1J-103JE	1	435031034R1
R8323	C-CARBON R	RN72K1J-103JE	1	435031034R1
R8324	C-CARBON R	RN72K1J-472JE	1	435034724R1
R8325	C-CARBON R	RN72K1J-473JE	1	435034734R1
R8326	C-CARBON R	RN72K1J-473JE	1	435034734R1
R8334	C-CARBON R	RN72K1J-222JE	1	435032224R1
R8335	C-CARBON R	RN72K1J-222JE	1	435032224R1
R8341	C-CARBON R	RN72K2E-470JE	1	435224704R1
R8373	C-CARBON R	RN72K1J-103JE	1	435031034R1
R8374	C-CARBON R	RN72K1J-472JE	1	435034724R1
R8375	C-CARBON R	RN72K1J-473JE	1	435034734R1
R8376	C-CARBON R	RN72K1J-473JE	1	435034734R1
R8384	C-CARBON R	RN72K1J-222JE	1	435032224R1

R8385	C-CARBON R	RN72K1J-222JE	1	435032224R1
R8391	C-CARBON R	RN72K2E-470JE	1	435224704R1
R8401	C-R NET	RM7LJ220X04	1	43484722004R2
R8402	C-CARBON R	RN72K1J-220JE	1	435032204R1
R8403	C-R NET	RM7LJ220X04	1	43484722004R2
R8404	C-CARBON R	RN72K1J-220JE	1	435032204R1
R8405	C-CARBON R	RN72K1J-220JE	1	435032204R1
R8406	C-R NET	RM7LJ220X04	1	43484722004R2
R8407	C-R NET	RM7LJ220X04	1	43484722004R2
R8409	C-CARBON R	RN72K1J-472JE	1	435034724R1
R8410	C-CARBON R	RN72K1J-681FE	1	435036812R1
R8411	C-CARBON R	RN72K1J-472JE	1	435034724R1
R8416	C-R NET	RM7LJ220X04	1	43484722004R2
R8417	C-R NET	RM7LJ220X04	1	43484722004R2
R8418	C-R NET	RM7LJ220X04	1	43484722004R2
R8419	C-R NET	RM7LJ220X04	1	43484722004R2
R8420	C-R NET	RM7LJ220X04	1	43484722004R2
R8421	C-R NET	RM7LJ220X04	1	43484722004R2
R8422	C-R NET	RM7LJ220X04	1	43484722004R2
R8423	C-R NET	RM7LJ220X04	1	43484722004R2
R8424	C-R NET	RM7LJ220X04	1	43484722004R2
R8425	C-CARBON R	RN72K1J-220JE	1	435032204R1
R8429	C-CARBON R	RN72K1J-220JE	1	435032204R1
R8431	C-CARBON R	RN72K1J-472JE	1	435034724R1
R8432	C-CARBON R	RN72K1J-220JE	1	435032204R1
R8442	C-CARBON R	RN72K1J-102JE	1	435031024R1
R8443	C-CARBON R	RN72K1J-220JE	1	435032204R1
R8444	C-CARBON R	RN72K1J-000JE	1	435030004R1
R8446	C-CARBON R	RN72K1J-000JE	1	435030004R1
R8447	C-CARBON R	RN72K1J-000JE	1	435030004R1
R8451	C-R NET	RM7LJ220X04	1	43484722004R2
R8452	C-CARBON R	RN72K1J-220JE	1	435032204R1
R8453	C-R NET	RM7LJ220X04	1	43484722004R2
R8454	C-CARBON R	RN72K1J-220JE	1	435032204R1
R8455	C-CARBON R	RN72K1J-220JE	1	435032204R1
R8456	C-R NET	RM7LJ220X04	1	43484722004R2
R8457	C-R NET	RM7LJ220X04	1	43484722004R2
R8459	C-CARBON R	RN72K1J-472JE	1	435034724R1
R8460	C-CARBON R	RN72K1J-681FE	1	435036812R1
R8462	C-CARBON R	RN72K1J-472JE	1	435034724R1
R8466	C-R NET	RM7LJ220X04	1	43484722004R2
R8467	C-R NET	RM7LJ220X04	1	43484722004R2
R8468	C-R NET	RM7LJ220X04	1	43484722004R2
R8469	C-R NET	RM7LJ220X04	1	43484722004R2
R8470	C-R NET	RM7LJ220X04	1	43484722004R2
R8471	C-R NET	RM7LJ220X04	1	43484722004R2
R8472	C-R NET	RM7LJ220X04	1	43484722004R2
R8473	C-R NET	RM7LJ220X04	1	43484722004R2
R8474	C-R NET	RM7LJ220X04	1	43484722004R2
R8475	C-CARBON R	RN72K1J-220JE	1	435032204R1

R8479	C-CARBON R	RN72K1J-220JE	1	435032204R1
R8481	C-CARBON R	RN72K1J-472JE	1	435034724R1
R8482	C-CARBON R	RN72K1J-220JE	1	435032204R1
R8492	C-CARBON R	RN72K1J-102JE	1	435031024R1
R8493	C-CARBON R	RN72K1J-220JE	1	435032204R1
R8503	C-R NET	RM7LJ330X04	1	43484733004R2
R8504	C-R NET	RM7LJ330X04	1	43484733004R2
R8505	C-R NET	RM7LJ330X04	1	43484733004R2
R8506	C-CARBON R	RN72K1J-120JE	1	435031204R1
R8507	C-R NET	RM7LJ330X04	1	43484733004R2
R8508	C-R NET	RM7LJ330X04	1	43484733004R2
R8509	C-R NET	RM7LJ330X04	1	43484733004R2
R8510	C-R NET	RM7LJ330X04	1	43484733004R2
R8511	C-R NET	RM7LJ330X04	1	43484733004R2
R8512	C-R NET	RM7LJ330X04	1	43484733004R2
R8513	C-R NET	RM7LJ330X04	1	43484733004R2
R8514	C-CARBON R	RN72K1J-472JE	1	435034724R1
R8515	C-CARBON R	RN72K1J-472JE	1	435034724R1
R8516	C-CARBON R	RN72K1J-101JE	1	435031014R1
R8517	C-CARBON R	RN72K1J-101JE	1	435031014R1
R8518	C-CARBON R	RN72K1J-472JE	1	435034724R1
R8519	C-CARBON R	RN72K1J-470JE	1	435034704R1
R8520	C-CARBON R	RN72K1J-330JE	1	435033304R1
R8521	C-R NET	RM7LJ330X04	1	43484733004R2
R8522	C-CARBON R	RN72K1J-330JE	1	435033304R1
R8523	C-CARBON R	RN72K1J-330JE	1	435033304R1
R8524	C-CARBON R	RN72K1J-330JE	1	435033304R1
R8615	C-CARBON R	RN72K1J-332JE	1	435033324R1
R8616	C-CARBON R	RN72K1J-332JE	1	435033324R1
R8617	C-CARBON R	RN72K1J-332JE	1	435033324R1
R8618	C-CARBON R	RN72K1J-103JE	1	435031034R1
R8629	C-CARBON R	RN72K1J-473JE	1	435034734R1
R8630	C-CARBON R	RN72K1J-473JE	1	435034734R1
R8631	C-CARBON R	RN72K1J-473JE	1	435034734R1
R8632	C-CARBON R	RN72K1J-473JE	1	435034734R1
R8633	C-CARBON R	RN72K1J-102JE	1	435031024R1
R8662	C-CARBON R	RN72K1J-105JE	1	435031054R1
R8663	C-CARBON R	RN72K1J-561JE	1	435035614R1
R8701	C-CARBON R	RN72K1J-472JE	1	435034724R1
R8703	C-CARBON R	RN72K1J-472JE	1	435034724R1
R8706	C-CARBON R	RN72K1J-103JE	1	435031034R1
R8707	C-CARBON R	RN72K1J-103JE	1	435031034R1
R8708	C-CARBON R	RN72K1J-000JE	1	435030004R1
R8710	C-CARBON R	RN72K1J-103JE	1	435031034R1
R8711	C-CARBON R	RN72K1J-222JE	1	435032224R1
R8712	C-CARBON R	RN72K1J-222JE	1	435032224R1
R8713	C-CARBON R	RN72K1J-103JE	1	435031034R1
R8714	C-CARBON R	RN72K1J-103JE	1	435031034R1
R8715	C-CARBON R	RN72K1J-220JE	1	435032204R1
R8716	C-CARBON R	RN72K1J-220JE	1	435032204R1

R8717	C-CARBON R	RN72K1J-330JE	1	435033304R1
R8718	C-CARBON R	RN72K1J-220JE	1	435032204R1
R8719	C-CARBON R	RN72K1J-220JE	1	435032204R1
R8720	C-CARBON R	RN72K1J-220JE	1	435032204R1
R8721	C-CARBON R	RN72K1J-220JE	1	435032204R1
R8722	C-CARBON R	RN72K1J-103JE	1	435031034R1
R8723	C-R NET	RM7LJ222X04	1	43484722204R2
R8726	C-R NET	RM7LJ222X04	1	43484722204R2
R8727	C-R NET	RM7LJ103X04	1	43484710304R2
R8728	C-CARBON R	RN72K1J-220JE	1	435032204R1
R8729	C-CARBON R	RN72K1J-103JE	1	435031034R1
R8730	C-CARBON R	RN72K1J-103JE	1	435031034R1
R8732	C-CARBON R	RN72K1J-220JE	1	435032204R1
R8733	C-CARBON R	RN72K1J-000JE	1	435030004R1
R8734	C-CARBON R	RN72K1J-000JE	1	435030004R1
R8735	C-CARBON R	RN72K1J-472JE	1	435034724R1
R8736	C-R NET	RM7LJ220X04	1	43484722004R2
R8737	C-CARBON R	RN72K1J-472JE	1	435034724R1
R8738	C-CARBON R	RN72K1J-473JE	1	435034734R1
R8741	C-CARBON R	RN72K1J-103JE	1	435031034R1
R8744	C-CARBON R	RN72K1J-472JE	1	435034724R1
R8745	C-CARBON R	RN72K1J-220JE	1	435032204R1
R8746	C-CARBON R	RN72K1J-103JE	1	435031034R1
R8747	C-CARBON R	RN72K1J-220JE	1	435032204R1
R8748	C-CARBON R	RN72K1J-220JE	1	435032204R1
R8749	C-R NET	RM7LJ220X04	1	43484722004R2
R8750	C-R NET	RM7LJ103X04	1	43484710304R2
R8751	C-CARBON R	RN72K1J-103JE	1	435031034R1
R8752	C-R NET	RM7LJ220X04	1	43484722004R2
R8753	C-R NET	RM7LJ220X04	1	43484722004R2
R8758	C-CARBON R	RN72K1J-220JE	1	435032204R1
R8759	C-CARBON R	RN72K1J-103JE	1	435031034R1
R8760	C-CARBON R	RN72K1J-103JE	1	435031034R1
R8761	C-CARBON R	RN72K1J-220JE	1	435032204R1
R8762	C-CARBON R	RN72K1J-103JE	1	435031034R1
R8763	C-R NET	RM7LJ103X04	1	43484710304R2
R8765	C-CARBON R	RN72K1J-103JE	1	435031034R1
R8766	C-R NET	RM7LJ103X04	1	43484710304R2
R8769	C-R NET	RM7LJ103X04	1	43484710304R2
R8770	C-R NET	RM7LJ103X04	1	43484710304R2
R8800	C-CARBON R	RN72K1J-561JE	1	435035614R1
R8801	C-CARBON R	RN72K1J-000JE	1	435030004R1
R8802	C-CARBON R	RN72K1J-000JE	1	435030004R1
R8803	EMIFIL	BK1608HS601-T	1	230984R1
R8804	C-CARBON R	RN72K1J-000JE	1	435030004R1
R8805	EMIFIL	BK1608HS601-T	1	230984R1
R8806	C-CARBON R	RN72K1J-000JE	1	435030004R1
R8807	C-CARBON R	RN72K1J-560JE	1	435035604R1
R8808	C-CARBON R	RN72K1J-104JE	1	435031044R1
R8809	C-CARBON R	RN72K1J-560JE	1	435035604R1
R8810	C-CARBON R	RN72K1J-104JE	1	435031044R1

R8811	C-CARBON R	RN72K1J-560JE	1	435035604R1
R8812	C-CARBON R	RN72K1J-104JE	1	435031044R1
R8813	C-CARBON R	RN72K1J-272FE	1	435032722R1
R8814	C-CARBON R	RN72K1J-102JE	1	435031024R1
R8815	C-CARBON R	RN72K1J-272FE	1	435032722R1
R8816	C-CARBON R	RN72K1J-472JE	1	435034724R1
R8817	C-CARBON R	RN72K1J-472JE	1	435034724R1
R8819	C-CARBON R	RN72K1J-472JE	1	435034724R1
R8820	C-CARBON R	RN72K1J-333JE	1	435033334R1
R8821	C-CARBON R	RN72K1J-182JE	1	435031824R1
R8823	C-R NET	RM7LJ220X04	1	43484722004R2
R8824	C-CARBON R	RN72K1J-220JE	1	435032204R1
R8825	C-CARBON R	RN72K1J-220JE	1	435032204R1
R8826	C-CARBON R	RN72K1J-220JE	1	435032204R1
R8827	C-CARBON R	RN72K1J-105JE	1	435031054R1
R8828	C-CARBON R	RN72K1J-220JE	1	435032204R1
R8830	C-R NET	RM7LJ220X04	1	43484722004R2
R8831	C-R NET	RM7LJ220X04	1	43484722004R2
R8833	C-CARBON R	RN72K1J-220JE	1	435032204R1
R8834	C-R NET	RM7LJ220X04	1	43484722004R2
R8835	C-CARBON R	RN72K1J-220JE	1	435032204R1
R8836	C-CARBON R	RN72K1J-220JE	1	435032204R1
R8837	C-R NET	RM7LJ220X04	1	43484722004R2
R8838	C-R NET	RM7LJ220X04	1	43484722004R2
R8839	C-R NET	RM7LJ220X04	1	43484722004R2
R8840	C-R NET	RM7LJ220X04	1	43484722004R2
R8841	C-R NET	RM7LJ220X04	1	43484722004R2
R8842	C-CARBON R	RN72K1J-220JE	1	435032204R1
R8843	C-CARBON R	RN72K1J-000JE	1	435030004R1
R8844	C-CARBON R	RN72K1J-180JE	1	435031804R1
R8845	C-CARBON R	RN72K1J-000JE	1	435030004R1
R8846	C-CARBON R	RN72K1J-180JE	1	435031804R1
R8847	C-CARBON R	RN72K1J-000JE	1	435030004R1
R8848	C-CARBON R	RN72K1J-680JE	1	435036804R1
R8849	C-CARBON R	RN72K1J-180JE	1	435031804R1
R8850	C-CARBON R	RN72K1J-222JE	1	435032224R1
R8851	C-CARBON R	RN72K1J-331JE	1	435033314R1
R8852	C-CARBON R	RN72K1J-331JE	1	435033314R1
R8853	C-CARBON R	RN72K1J-331JE	1	435033314R1
R8854	C-CARBON R	RN72K1J-332JE	1	435033324R1
R8855	C-CARBON R	RN72K1J-332JE	1	435033324R1
R8856	C-CARBON R	RN72K1J-332JE	1	435033324R1
R8857	C-CARBON R	RN72K1J-105JE	1	435031054R1
R8858	C-CARBON R	RN72K1J-000JE	1	435030004R1
R8860	C-CARBON R	RN72K1J-220JE	1	435032204R1
R8861	C-CARBON R	RN72K1J-220JE	1	435032204R1
R8862	C-CARBON R	RN72K1J-220JE	1	435032204R1
R8863	C-CARBON R	RN72K1J-750FE	1	435037502R1

R8864	C-CARBON R	RN72K1J-750FE	1	435037502R1
R8865	C-CARBON R	RN72K1J-750FE	1	435037502R1
R8869	C-CARBON R	RN72K1J-750FE	1	435037502R1
R8870	C-CARBON R	RN72K1J-750FE	1	435037502R1
R8871	C-CARBON R	RN72K1J-750FE	1	435037502R1
R8872	C-CARBON R	RN72K1J-471FE	1	435034712R1
R8873	C-CARBON R	RN72K1J-471FE	1	435034712R1
R8874	C-CARBON R	RN72K1J-471FE	1	435034712R1
R8879	C-CARBON R	RN72K1J-471FE	1	435034712R1
R8880	C-CARBON R	RN72K1J-471FE	1	435034712R1
R8881	C-CARBON R	RN72K1J-471FE	1	435034712R1
R8882	C-CARBON R	RN72K1J-000JE	1	435030004R1
R8883	C-CARBON R	RN72K1J-000JE	1	435030004R1
R8890	C-CARBON R	RN72K1J-000JE	1	435030004R1
R8891	C-CARBON R	RN72K1J-104JE	1	435031044R1
R8892	C-CARBON R	RN72K1J-104JE	1	435031044R1
R8893	C-CARBON R	RN72K1J-103JE	1	435031034R1
R8901	C-CARBON R	RN72K1J-103JE	1	435031034R1
R8905	C-CARBON R	RN72K1J-470JE	1	435034704R1
R8906	C-CARBON R	RN72K1J-470JE	1	435034704R1
R8907	C-CARBON R	RN72K1J-470JE	1	435034704R1
R8908	C-CARBON R	RN72K1J-681FE	1	435036812R1
R8909	C-CARBON R	RN72K1J-681FE	1	435036812R1
R8910	C-CARBON R	RN72K1J-681FE	1	435036812R1
R8911	C-CARBON R	RN72K1J-272FE	1	435032722R1
R8912	C-CARBON R	RN72K1J-272FE	1	435032722R1
R8913	C-CARBON R	RN72K1J-681FE	1	435036812R1
R8914	C-CARBON R	RN72K1J-681FE	1	435036812R1
R8915	C-CARBON R	RN72K1J-470JE	1	435034704R1
R8917	C-CARBON R	RN72K1J-470JE	1	435034704R1
R8919	C-CARBON R	RN72K1J-470JE	1	435034704R1
R8920	C-CARBON R	RN72K1J-470JE	1	435034704R1
R8921	C-R NET	RM7LJ470X04	1	43484747004R2
R8922	C-R NET	RM7LJ470X04	1	43484747004R2
R8923	C-R NET	RM7LJ470X04	1	43484747004R2
R8924	C-R NET	RM7LJ470X04	1	43484747004R2
R8925	C-R NET	RM7LJ470X04	1	43484747004R2
R8926	C-R NET	RM7LJ470X04	1	43484747004R2
R8927	C-R NET	RM7LJ470X04	1	43484747004R2
R8928	C-R NET	RM7LJ470X04	1	43484747004R2
R8929	C-CARBON R	RN72K1J-220JE	1	435032204R1
R8930	C-CARBON R	RN72K1J-220JE	1	435032204R1
R8931	C-CARBON R	RN72K1J-151FE	1	435031512R1
R8932	C-CARBON R	RN72K1J-151FE	1	435031512R1
R8933	C-CARBON R	RN72K1J-151FE	1	435031512R1
R8934	C-CARBON R	RN72K1J-152JE	1	435031524R1
R8935	C-CARBON R	RN72K1J-152JE	1	435031524R1
R8936	C-CARBON R	RN72K1J-182JE	1	435031824R1
R8937	C-R NET	RM7LJ473X04	1	43484747304R2
R8938	C-R NET	RM7LJ473X04	1	43484747304R2
R8939	C-R NET	RM7LJ473X04	1	43484747304R2

R8940	C-R NET	RM7LJ473X04	1	43484747304R2
R8941	C-R NET	RM7LJ222X04	1	43484722204R2
R8942	C-CARBON R	RN72K1J-472JE	1	435034724R1
R8951	C-CARBON R	RN72K1J-470JE	1	435034704R1
R8952	C-CARBON R	RN72K1J-470JE	1	435034704R1
R8953	C-CARBON R	RN72K1J-470JE	1	435034704R1
R8954	C-CARBON R	RN72K1J-470JE	1	435034704R1
R8955	C-CARBON R	RN72K1J-121JE	1	435031214R1
R8956	C-CARBON R	RN72K1J-152JE	1	435031524R1
R8957	C-CARBON R	RN72K1J-152JE	1	435031524R1
R8958	C-CARBON R	RN72K1J-222JE	1	435032224R1
R8959	C-CARBON R	RN72K1J-102JE	1	435031024R1
R8960	C-CARBON R	RN72K1J-102JE	1	435031024R1
R8961	C-CARBON R	RN72K1J-471FE	1	435034712R1
R8962	C-CARBON R	RN72K1J-102JE	1	435031024R1
R8964	C-CARBON R	RN72K1J-152JE	1	435031524R1
R8965	C-CARBON R	RN72K1J-392JE	1	435033924R1
R8966	C-CARBON R	RN72K1J-223JE	1	435032234R1
R8967	C-CARBON R	RN72K1J-102JE	1	435031024R1
R8968	C-CARBON R	RN72K1J-102JE	1	435031024R1
R8970	C-CARBON R	RN72K1J-102JE	1	435031024R1
RN8013	C-R NET	RM7LJ330X04	1	43484733004R2
RN8014	C-R NET	RM7LJ330X04	1	43484733004R2
RN8015	C-R NET	RM7LJ330X04	1	43484733004R2
RN8016	C-R NET	RM7LJ330X04	1	43484733004R2
RN8017	C-R NET	RM7LJ330X04	1	43484733004R2
RN8018	C-R NET	RM7LJ330X04	1	43484733004R2
RN8019	C-R NET	RM7LJ330X04	1	43484733004R2
RN8020	C-R NET	RM7LJ330X04	1	43484733004R2
RN8021	C-R NET	RM7LJ330X04	1	43484733004R2
RN8022	C-R NET	RM7LJ330X04	1	43484733004R2
RN8023	C-R NET	RM7LJ330X04	1	43484733004R2
RN8024	C-R NET	RM7LJ330X04	1	43484733004R2
RN8025	C-R NET	RM7LJ330X04	1	43484733004R2
RN8026	C-R NET	RM7LJ330X04	1	43484733004R2
RN8027	C-R NET	RM7LJ330X04	1	43484733004R2
RN8028	C-R NET	RM7LJ330X04	1	43484733004R2
RN8029	C-R NET	RM7LJ330X04	1	43484733004R2
RN8030	C-R NET	RM7LJ330X04	1	43484733004R2
RN8037	C-R NET	RM7LJ330X04	1	43484733004R2
RN8038	C-R NET	RM7LJ330X04	1	43484733004R2
RN8039	C-R NET	RM7LJ330X04	1	43484733004R2
RN8041	C-R NET	RM7LJ330X04	1	43484733004R2
RN8043	C-R NET	RM7LJ330X04	1	43484733004R2
RN8045	C-R NET	RM7LJ330X04	1	43484733004R2
RN8048	C-R NET	RM7LJ330X04	1	43484733004R2
RN8049	C-R NET	RM7LJ330X04	1	43484733004R2
RN8050	C-R NET	RM7LJ330X04	1	43484733004R2
RN8051	C-R NET	RM7LJ330X04	1	43484733004R2
RN8052	C-R NET	RM7LJ330X04	1	43484733004R2

RN8053	C-R NET	RM7LJ330X04	1	43484733004R2
RN8054	C-R NET	RM7LJ330X04	1	43484733004R2
RN8055	C-R NET	RM7LJ330X04	1	43484733004R2
RN8056	C-R NET	RM7LJ330X04	1	43484733004R2
RN8057	C-R NET	RM7LJ330X04	1	43484733004R2
RN8058	C-R NET	RM7LJ330X04	1	43484733004R2
RN8059	C-R NET	RM7LJ330X04	1	43484733004R2
RN8060	C-R NET	RM7LJ330X04	1	43484733004R2
RN8061	C-R NET	RM7LJ330X04	1	43484733004R2
RN8062	C-R NET	RM7LJ680X04	1	43484768004R2
RN8063	C-R NET	RM7LJ470X04	1	43484747004R2
RN8064	C-R NET	RM7LJ680X04	1	43484768004R2
RN8065	C-R NET	RM7LJ470X04	1	43484747004R2
RN8066	C-R NET	RM7LJ680X04	1	43484768004R2
RN8067	C-R NET	RM7LJ470X04	1	43484747004R2
RN8068	C-R NET	RM7LJ680X04	1	43484768004R2
RN8069	C-R NET	RM7LJ470X04	1	43484747004R2
RN8070	C-R NET	RM7LJ680X04	1	43484768004R2
RN8071	C-R NET	RM7LJ680X04	1	43484768004R2
RN8072	C-R NET	RM7LJ470X04	1	43484747004R2
RN8073	C-R NET	RM7LJ680X04	1	43484768004R2
RN8074	C-R NET	RM7LJ470X04	1	43484747004R2
RN8075	C-R NET	RM7LJ680X04	1	43484768004R2
RN8076	C-R NET	RM7LJ680X04	1	43484768004R2
RN8077	C-R NET	RM7LJ680X04	1	43484768004R2
RN8078	C-R NET	RM7LJ680X04	1	43484768004R2
RN8079	C-R NET	RM7LJ680X04	1	43484768004R2
RN8080	C-R NET	RM7LJ680X04	1	43484768004R2
RN8081	C-R NET	RM7LJ680X04	1	43484768004R2
RN8082	C-R NET	RM7LJ680X04	1	43484768004R2
RN8083	C-R NET	RM7LJ680X04	1	43484768004R2
RN8087	C-R NET	RM7LJ103X04	1	43484710304R2
RN8088	C-R NET	RM7LJ103X04	1	43484710304R2
RN8089	C-R NET	RM7LJ000X04	1	43484700004R2
RN8091	C-R NET	RM7LJ000X04	1	43484700004R2
RN8093	C-R NET	RM7LJ000X04	1	43484700004R2
RN8095	C-R NET	RM7LJ000X04	1	43484700004R2
RN8097	C-R NET	RM7LJ000X04	1	43484700004R2
RN8099	C-R NET	RM7LJ000X04	1	43484700004R2
RN8703	C-R NET	RM7LJ680X04	1	43484768004R2
RN8704	C-R NET	RM7LJ680X04	1	43484768004R2
RN8705	C-R NET	RM7LJ680X04	1	43484768004R2
RN8706	C-R NET	RM7LJ680X04	1	43484768004R2
JL8002B	WIRE TRAP	NPLG-5P588	1	25055626
P2801B	SOCKET	NSCT-31P2124	1	25052227
P3805B	SOCKET	NSCT-10P1025	1	25051235
P8001	SOCKET	YKF45-7037V	1	25053253R3
P8002	SOCKET	YKF45-7037V	1	25053253R3
P8002A	SOCKET	NSCT-15P1030	1	25051240
P8051	SOCKET	YKF45-7037V	1	25053253R3

P8052	SOCKET	YKF45-7037V	1	25053253R3
P8302	SOCKET	YKF45-7037V	1	25053253R3
P8352	SOCKET	YKF45-7037V	1	25053253R3
P8702	SOCKET	NSCT-8P2471	1	25052574R2
P8704	SOCKET	NSCT-8P2471	1	25052574R2

U27 HD RADIO PC BOARD (NARF-9118-1A)

REF. NO.	PART NAME	DESCRIPTION	Q'TY	PART NO. (SN)	REMARKS
U1	FRONTEND	HD RADIO MODULE	1	240160	
Q1	IC	TA48018AF(TE16L_NQ)	1	22278018DR2TO	
Q1 or	IC	BA18BC0FP	(1)	22278018DR2RH	
Q10	IC	NE5532APSR	1	22242283R2	
Q11	IC	XC6213B332MR	1	22242277R2	
Q3	IC	NJM2903V	1	22241675R2	
Q4	IC	CS4344-CZZR	1	22242406R2	
Q6	IC	BA50BC0FP	1	22278005DR2RH	
Q7	IC	BA33BC0FP	1	22278033DR2RH	
Q8	IC	BD7820	1	22242300R2	
Q9	IC	NE5532APSR	1	22242283R2	
L2	EMIFIL	BK1608LM182-T	1	230958R1	
L3	EMIFIL	BK1608LM182-T	1	230958R1	
L4	CHOKE COIL	NCH-1471	1	231237K022R2	
C1	VR C	CE04W10V-470M(VR)	1	394634717T	
C10	C-CERA C	CK725F1H-224Z1	1	332152240R1	
C11	C-CERA C	CK725F1H-104Z1	1	332151040R1	
C12	VR C	CE04W10V-470M(VR)	1	394634717T	
C13	C-CERA C	CK725F1H-104Z1	1	332151040R1	
C14	VR C	CE04W10V-470M(VR)	1	394634717T	
C15	C-CERA C	CK725F1H-104Z1	1	332151040R1	
C16	C-CERA C	CK725F1H-104Z1	1	332151040R1	
C17	C-CERA C	CK725F1H-104Z1	1	332151040R1	
C18	VR C	CE04W16V-100M(VR)	1	394641017T	
C19	UTSP C	CE04W50V-10M(UTSP)	1	397581007T	
C2	VR C	CE04W10V-470M(VR)	1	394634717T	
C20	C-CERA C	CK732B1A-105K	1	337361055R2	
C22	C-CERA C	CC725CH1H-102J1	1	342101024R1	
C23	C-CERA C	CC725CH1H-102J1	1	342101024R1	
C24	C-CERA C	CC725CH1H-102J1	1	342101024R1	
C25	C-CERA C	CC725CH1H-102J1	1	342101024R1	
C26	UTSP C	CE04W50V-10M(UTSP)	1	397581007T	
C27	UTSP C	CE04W50V-10M(UTSP)	1	397581007T	
C3	C-CERA C	CK725F1H-104Z1	1	332151040R1	
C4	UTSP C	CE04W50V-10M(UTSP)	1	397581007T	
C7	VR C	CE04W10V-470M(VR)	1	394634717T	
C8	C-CERA C	CK725F1H-104Z1	1	332151040R1	
C9	UTSP C	CE04W50V-10M(UTSP)	1	397581007T	
R1	C-CARBON R	RN72K1J-822JE	1	435038224R1	
R10	C-CARBON R	RN72K1J-000JE	1	435030004R1	
R11	C-CARBON R	RN72K1J-222JE	1	435032224R1	

R12	C-CARBON R	RN72K1J-222JE	1	435032224R1
R13	TRIM R	N06HR2KBB	1	5211402T
R14	C-CARBON R	RN72K1J-103JE	1	435031034R1
R15	C-CARBON R	RN72K1J-470JE	1	435034704R1
R16	C-CARBON R	RN72K1J-472JE	1	435034724R1
R17	C-CARBON R	RN72K1J-472JE	1	435034724R1
R18	C-CARBON R	RN72K1J-000JE	1	435030004R1
R19	C-CARBON R	RN72K1J-470JE	1	435034704R1
R2	C-CARBON R	RN72K1J-101JE	1	435031014R1
R20	C-CARBON R	RN72K1J-105JE	1	435031054R1
R21	C-CARBON R	RN72K1J-682JE	1	435036824R1
R22	C-CARBON R	RN72K1J-471JE	1	435034714R1
R23	C-CARBON R	RN72K1J-470JE	1	435034704R1
R24	C-CARBON R	RN72K1J-470JE	1	435034704R1
R25	C-CARBON R	RN72K1J-000JE	1	435030004R1
R26	C-CARBON R	RN72K1J-000JE	1	435030004R1
R27	C-CARBON R	RN72K1J-273JE	1	435032734R1
R28	C-CARBON R	RN72K1J-393JE	1	435033934R1
R29	C-CARBON R	RN72K1J-273JE	1	435032734R1
R3	C-CARBON R	RN72K1J-105JE	1	435031054R1
R30	C-CARBON R	RN72K1J-220JE	1	435032204R1
R31	C-CARBON R	RN72K1J-220JE	1	435032204R1
R33	C-CARBON R	RN72K1J-220JE	1	435032204R1
R34	C-CARBON R	RN72K1J-000JE	1	435030004R1
R35	C-CARBON R	RN72K1J-000JE	1	435030004R1
R38	C-CARBON R	RN72K1J-222JE	1	435032224R1
R39	C-CARBON R	RN72K1J-222JE	1	435032224R1
R4	C-CARBON R	RN72K1J-101JE	1	435031014R1
R40	C-CARBON R	RN72K1J-222JE	1	435032224R1
R41	C-CARBON R	RN72K1J-222JE	1	435032224R1
R42	C-CARBON R	RN72K1J-104JE	1	435031044R1
R43	C-CARBON R	RN72K1J-104JE	1	435031044R1
R44	C-CARBON R	RN72K1J-122JE	1	435031224R1
R45	C-CARBON R	RN72K1J-122JE	1	435031224R1
R46	C-CARBON R	RN72K1J-332JE	1	435033324R1
R47	C-CARBON R	RN72K1J-332JE	1	435033324R1
R48	C-CARBON R	RN72K1J-822JE	1	435038224R1
R49	C-CARBON R	RN72K1J-822JE	1	435038224R1
R5	TRIM R	N06HR2KBB	1	5211402T
R50	C-CARBON R	RN72K1J-682JE	1	435036824R1
R51	C-CARBON R	RN72K1J-682JE	1	435036824R1
R52	METAL O R	RS1/2WBJ-10	1	443521004T
R6	C-CARBON R	RN72K1J-103JE	1	435031034R1
R7	C-CARBON R	RN72K1J-101JE	1	435031014R1
R8	C-CARBON R	RN72K1J-101JE	1	435031014R1
P1	TRM	NTM-4PDML401	1	25060473
P101A	SOCKET	NSCT-13P2106	1	25052209
P5	PLUG	NPLG-4P118	1	25055134

PACKING PROCEDURE PARTS LIST

REF. NO.	NAME	DESCRIPTION	Q`TY	PART NO(SN)	REMARKS
A603	SHEET	T0.515*1300*900	1	29096066	
A604	POLY BAG	(W1020xD770)	1	29100253	
A606	TAPE	(SEROHAN)NITTO	1	29110149	
A608	PAD	AS	1	29092367	[U]
A608	PAD	AS	1	29092384	[M]
A610	CARTON	DTC-9.8(B)UDD	1	29054725	[U]
A610	CARTON	DTC9.8	1	29054849	[M]
A614a	UPC LABEL	.	1	29364861	[U], <DD>
A614a	EAN LABEL	.	1	29364858	[U], <MA>
A614a	UPC LABEL	DTC9.8BMDD	1	29390276	[M], <DD>
A614a	EAN LABEL	DTC9.8BMMA	1	29390277	[M], <MA>
A620	CARTON	(ACC)	1	29054767	[U]
A620	CARTON	(ACC)	1	29054470	[M]
A622	PP TAPE	W48 OPP TAPE	1	29110148	[U]
A622	PP TAPE	W50 SBT-70	1	29110200	[M]
A624	STAPLE	FUKAN-BARI(1000KO)	4	282321	
A630	LABEL	(CARTON)UMA	2	29364890	[U], <MA>
A803	POLY BAG	w250xd350	1	29100250A	
A816	INS MANUAL	En(DTC-9.8)	1	29344461	[U]
A816	INS MANUAL	En(DTC-9.8)	1	29344461A	[M]
A819	INS MANUAL	U9(RC-687M-692M)	1	29344467	
A833	INST SHEET	En(XM RADIO)	1	29355602	<DD>
A835	REMO CON	RC-691M	1	24140691	
A840	ANT COIL	NMA-3064	1	232201	<DD>
A840	ANT COIL	NMA-3057	1	232140	<MA>
A842	FM ANT AS	Type W	1	292191	
A844	BATTERY	R6/AA(UM-3)	3	3010194	
A844 or	BATTERY	R6/AA(UM-3)	(3)	3010054	
A848	POLY BAG	t0.1*70*100	1	29100217A	
A856	WRNTY CARD	(INTEGRA)	1	29365103	<DD>
A863	INST SHEET	En(Audyssey Pro)	1	29355629	
A864	INST SHEET	En(Audyssey ForInstaller)	1	29355634A	
A865	INST SHEET	U10(07REC HDMI)	1	29355689	
A867	INST SHEET	U3EnFrEs(EZ Sync	1	29355647B	<DD>
A868	INST SHEET	U9(VIERA Link	1	29355648B	<MA>
A880	HANDBILL	(SIRIUS)	1	29380149	<DD>
A884	INST SHEET	U2EnJa(IntegraREMO	1	29355670	
P901	AC CORD	AS-UC-2	1	253301VOL	!, <DD>
P901	AC CORD	AS-SAA	1	253391VOL	!, <MA>
U016	MIC AS	MIC-5000	1	1B068MIC	

Integra Division of

ONKYO CORPORATION

Sales & Product Planning Div. : 2-1, Nisshin-cho, Neyagawa-shi, OSAKA 572-8540, JAPAN

Tel: 072-831-8023 Fax: 072-831-8124 <http://www.onkyo.com/>

Integra Division of

ONKYO U.S.A. CORPORATION

18 Park Way, Upper Saddle River, N.J. 07458, U.S.A.

Tel: 201-785-2600 Fax: 201-785-2650 <http://www.integrahometheater.com>